

Illustrated Parts Catalog

Aquila A 210

Doc.-No. PC-AT01- 1030-100

Rev. 06, April 2016

AQUILA Aviation GmbH • Flugplatz • D-14959 Schönhagen
www.aquila-aviation.de • kontakt@aquila-aviation.de

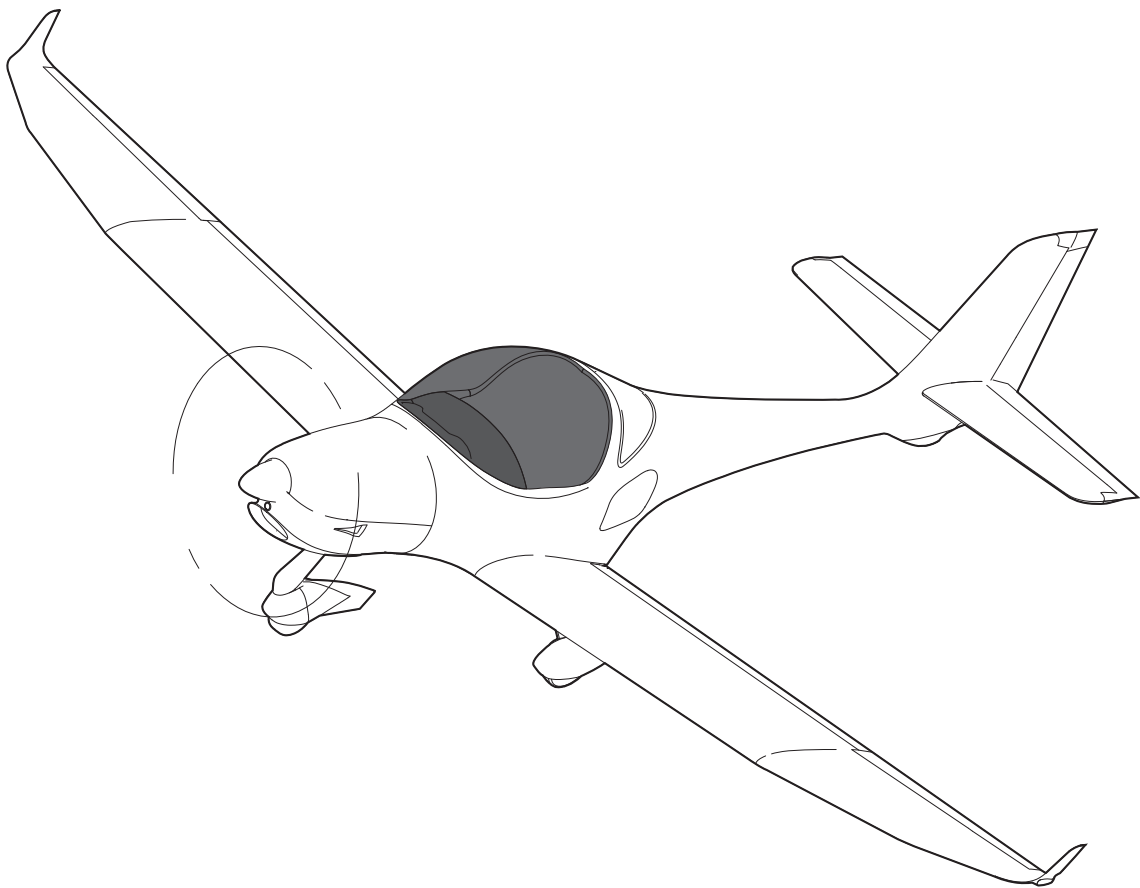
This document is copyright protected. All associated rights, in particular those of translation, reprinting, reproduction by photo mechanical or similar means and storing in data processing facilities in whole or part are reserved.

AQUILA is a registered trademark.

ILLUSTRATED PARTS CATALOG

AQUILA AT01 (A210)

Doc.-No. PC-AT01-1030-100



This document is protected by copyright. All associated rights, in particular those of translation, reprinting, reproduction by photo mechanical or similar means and storing in data processing facilities in whole or part are reserved. The technical content of this document is approved under the authority of DOA ref. EASA.21J.025.

AQUILA Aviation GmbH
Flugplatz
14959 Schönhagen

Phone: ++49 33 731 707 - 0
Fax: ++49 33 731 707 - 11
e-mail: kontakt@aquila-aviation.de


LIST OF EFFECTIVE CHAPTERS

Chapter Title	Date*
GENERAL	
00 Introduction	15.02.13
11 Placards and Markings	15.02.13
AIRFRAME SYSTEMS	
21 Ventilation and Heating	15.02.13
24 Electrical Power	30.06.10
25 Equipment and Furnishings	15.02.13
27 Flight Controls	15.02.13
28 Fuel	29.04.16
31 Indicating/Recording Systems	29.04.16
32 Landing Gear	29.04.16
33 Lights	15.02.13
STRUCTURES	
55 Stabilizers	15.02.13
56 Windows	15.02.13
57 Wings	15.02.13
POWER PLANT	
71 Power Plant	29.04.16
75 Engine Cooling	29.04.16
76 Engine Controls	29.04.16
77 Engine Indicating	29.04.16
78 Exhaust	01.06.09
79 Oil	29.04.16
MISCELLANEOUS	
96 Accessory	15.02.13

* The date refers to the issue / revision date of the respective chapter.

The technical content of this document (revision 06) is approved under the authority of
DOA ref. EASA.21J.025.

29.04.16



Date, Signature Office of Airworthiness



AQUILA AT01
ILLUSTRATED PARTS CATALOG

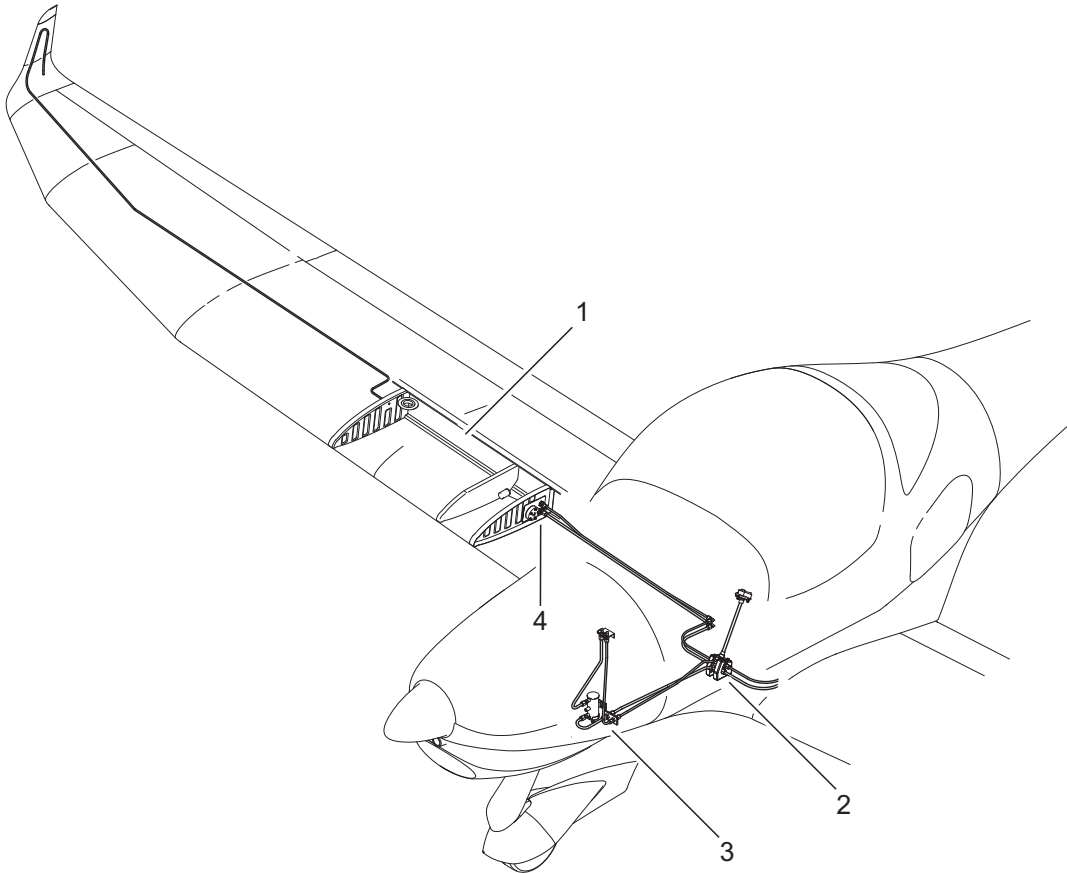
CHAPTER 28

FUEL

TABLE OF CONTENTS

<u>Title</u> <u>Subject</u>	<u>Chapter</u> <u>Section</u> <u>Subject</u>	<u>Page</u>	<u>Effectivity</u>
FUEL - GENERAL	28-00-00	1	
Fuel - General	28-00-00	2	
Fuel System - Wings	28-00-00	4	
Fuel System - Fuselage	28-00-00	6	
Fuel System - Engine Compartment	28-00-00	8	
Fuel Quantity / Pressure Indication	28-00-00	12A	251 - 299
Fuel Quantity / Pressure Indication	28-00-00	12B	101 - 250

FUEL
GENERAL



NOTE: Only RH side of system is shown for clarity !

Fig. Item	QTY	Part Number	Nomenclature	Effectivity
1			Fuel - General	
1			Fuel System - Wings (refer to 28-00-00, figure 2 for details)	
2			Fuel System - Fuselage (refer to 28-00-00, figure 3 for details)	
3			Fuel System - Engine Compartment (refer to 28-00-00, figure 4 for details)	
4			Fuel Quantity / Pressure Indication (refer to 28-00-00, figure 5A for details)	251 - 299
4			Fuel Quantity / Pressure Indication (refer to 28-00-00, figure 5B for details)	101 - 250

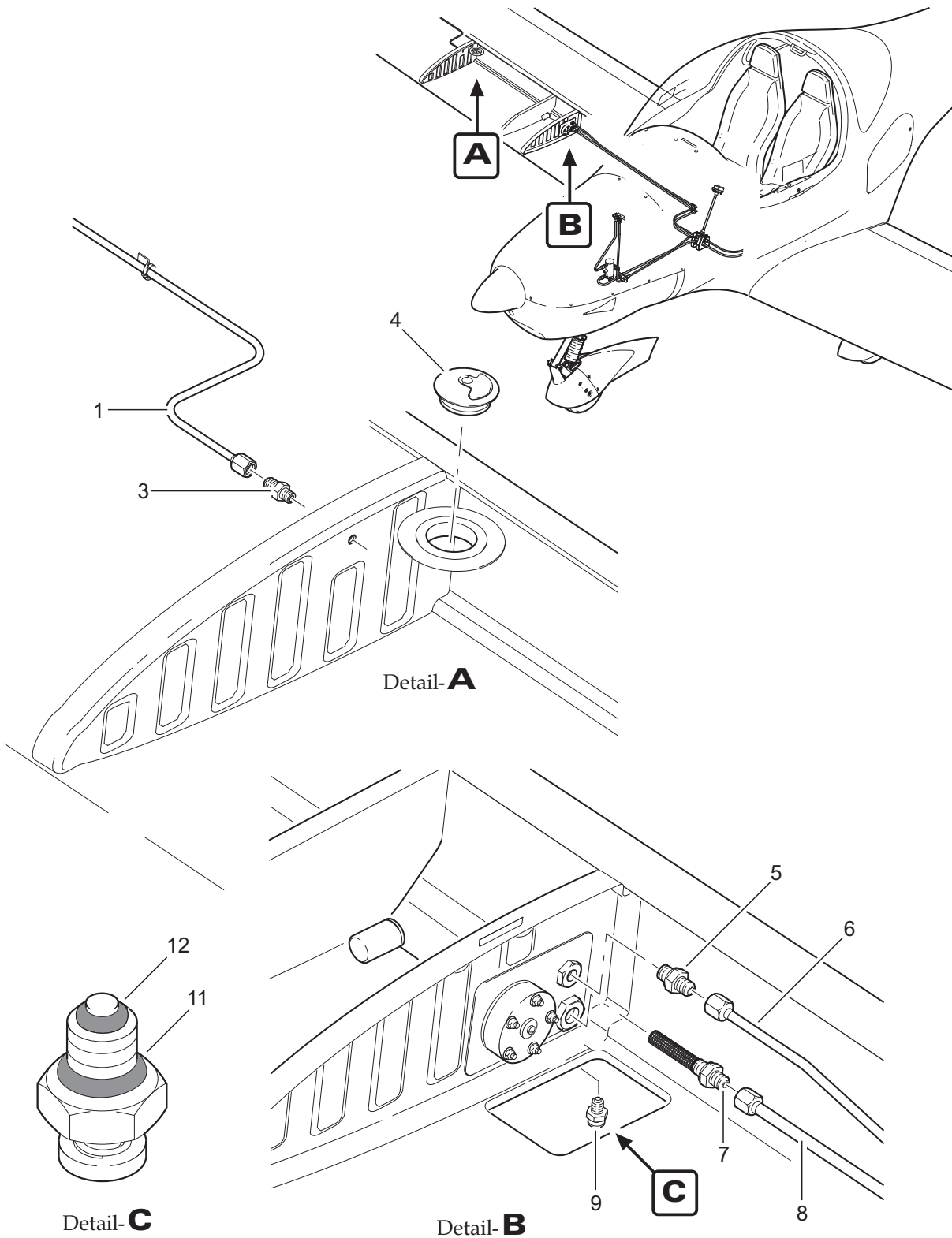
- Item not illustrated

Fuel - General
Figure 1

28-00-00

Page 3

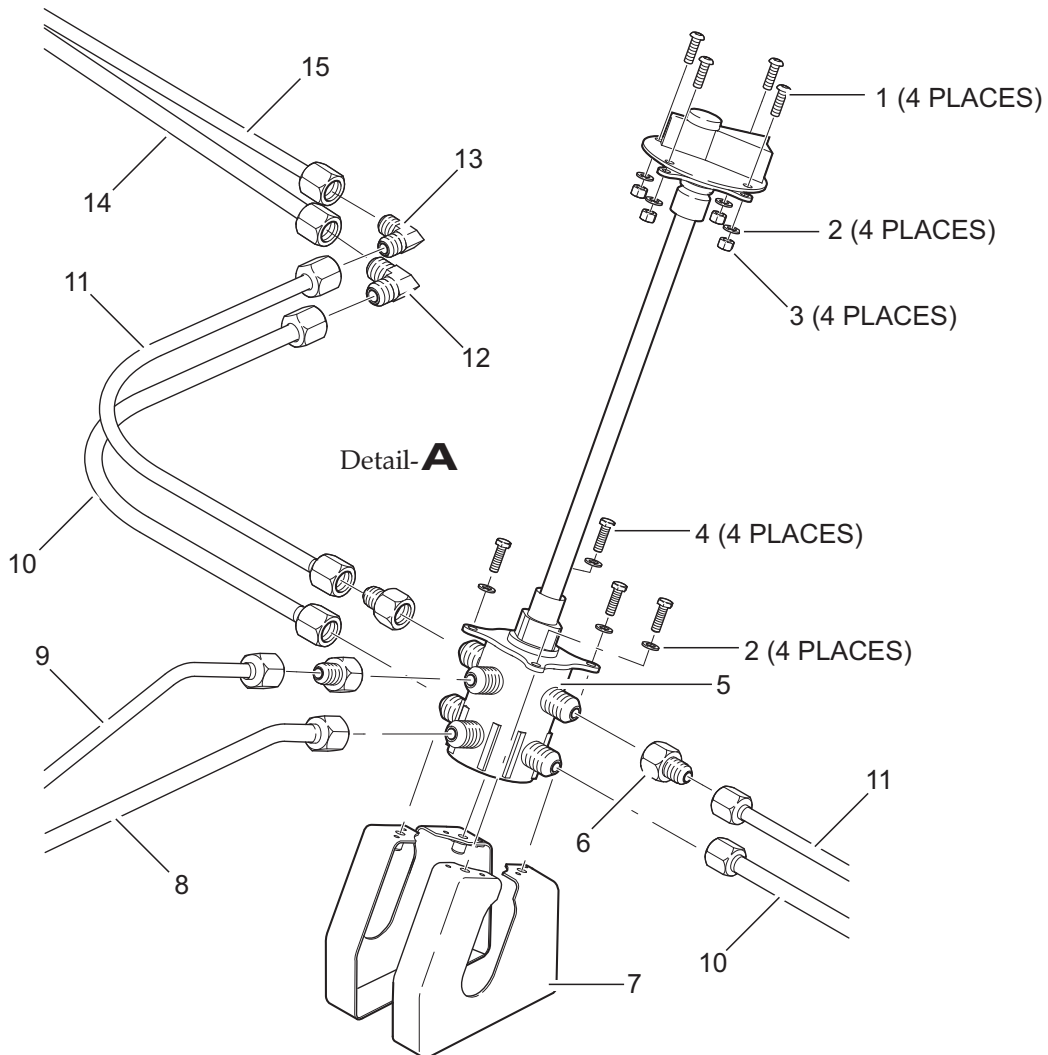
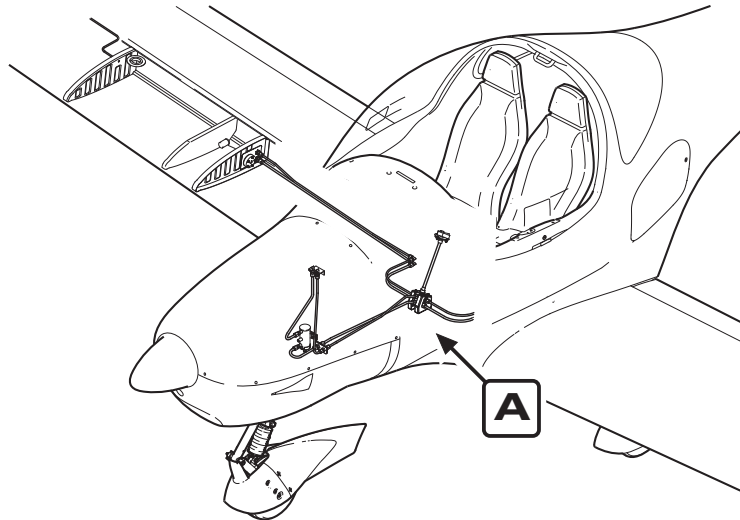
29.04.16



Fuel System - Wings
 Figure 2

Fig. Item	QTY	Part Number	Nomenclature	Effectivity
2			Fuel System - Wings	
1	1	AT01-8030-003	fuel tank ventilation line RH	
-2	1	AT01-8030-004	fuel tank ventilation line LH	
3	1	AT01-4520-216	fitting 1/8" BSPP	
4	1	AT01-4010-106	fuel filler cap	
5	1	AT01-4520-211	fitting 1/4" BSPP	
6	1	AT01-8020-003	fuel return line wing	
7	1	AT01-8010-003	finger strainer	
8	1	AT01-8010-004	fuel supply line wing	
9	1	AT01-8010-012 STND	drain valve (standard version ¹⁾ / including gaskets	
		AT01-8010-012 LONG	drain valve (optional long version ¹⁾ / including gaskets	
10	-	-	-	
11	1	AT01-8010-116	gasket (included in drain valve)	
12	1	AT01-8010-115	gasket (included in drain valve)	

¹⁾Refer to SI-AT01-018 annex 8 for further information.



Fuel System - Fuselage
Figure 3

Fig. Item	QTY	Part Number	Nomenclature	Effectivity
3			Fuel System - Fuselage	
1	4	1807380_M5x16	bolt (ISO 7380 M5x16)	
2	8	1800125_5,3	washer (DIN 125 5,3x10)	
3	4	1800985_M5	locknut (DIN 985 M5)	
4	4	1800933_M5x12	bolt (DIN 933 M5x12)	
5	1	AT01-8010-101	fuel selector valve	
6	3	AT01-4520-240	reducer (size 6 to size 5)	
7	1	AT01-2120-009	mounting bracket (for fuel selector valve)	
8	1	AT01-8010-009	fuel supply line front	
9	1	AT01-8020-005	fuel return line front	
10	2	AT01-8010-003	fuel supply line center	
11	2	AT01-8020-004	fuel return line center	
12	1	AT01-4520-153	elbow fitting (size 6)	
13	1	AT01-4520-154	elbow fitting (size 5)	
14	1	AT01-8010-004	fuel supply line wing	
15	1	AT01-8020-003	fuel return line wing	
-16	2	AT01-8010-124	universal joint (for fuel selector valve / optional)	

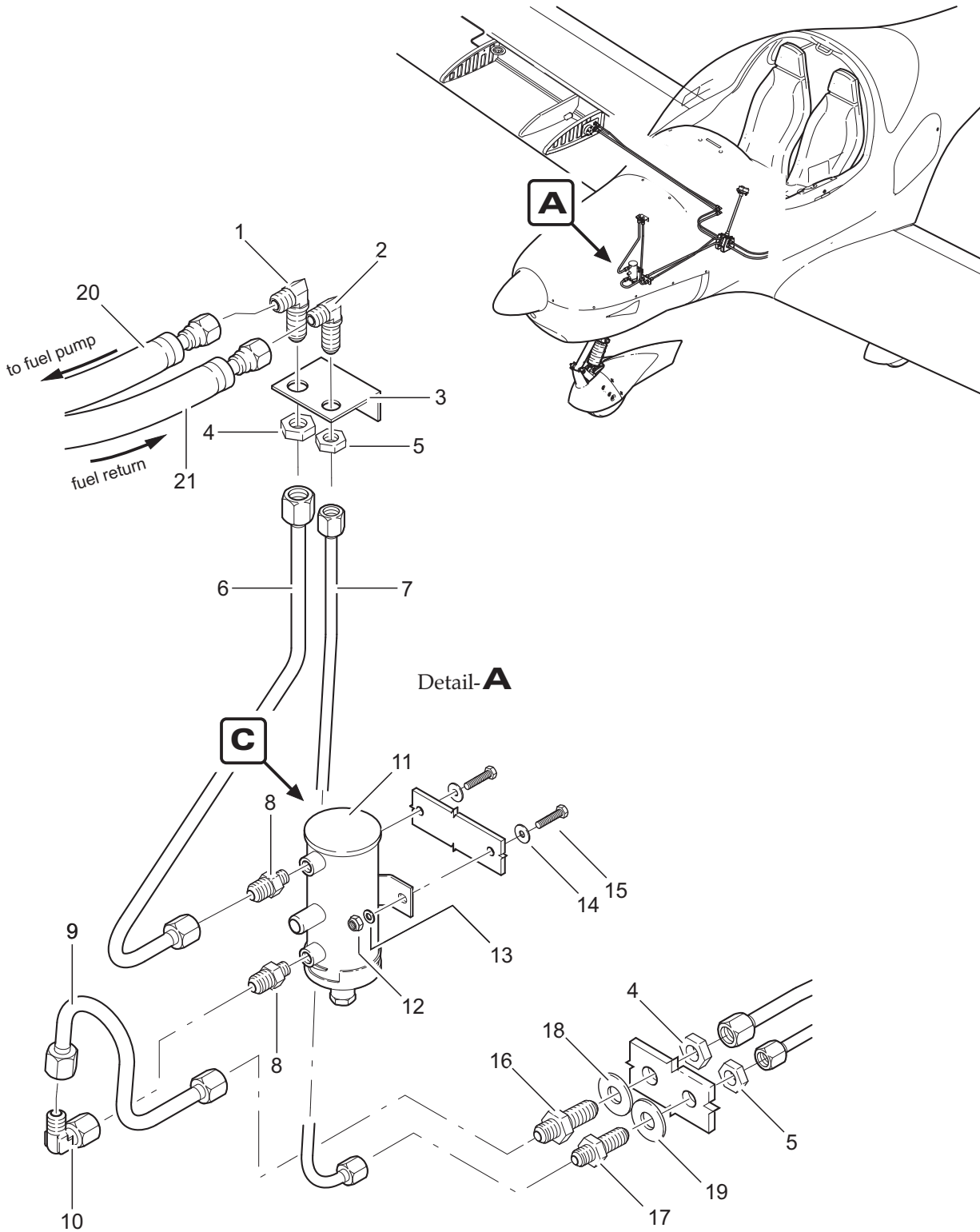
- Item not illustrated

Fuel System - Fuselage
Figure 3

28-00-00

Page 7

29.04.16



Fuel System - Engine Compartment
Figure 4 (1)

Fig. Item	QTY	Part Number	Nomenclature	Effectivity
4 (1)			Fuel System - Engine Compartment	
1	1	AT01-4520-221	elbow fitting (size 6)	
2	1	AT01-4520-220	elbow fitting (size 5)	
3	1	AT01-8000-101	support bracket	
4	1	AT01-4520-229	nut	
5	1	AT01-4520-227	nut	
6	1	AT01-8010-008	fuel supply line fuel pump top	
7	1	AT01-8020-006	fuel return line firewall	
8	2	AT01-4520-236	fitting 1/8" NPTF (size 6)	
9	1	AT01-8010-007	fuel supply line fuel pump bottom	
10	1	AT01-4520-161	elbow fitting (size 6)	
11	1	AT01-8010-011	electrical fuel pump assy (refer to figure 3 (2))	
12	2	1800985_M6	locknut (DIN 985 M6)	
13	2	1800125_6,4	washer (DIN 125 6,4x12)	
14	2	1809021_6,4	washer (DIN 9021 6,4x18)	
15	2	1800933_M6x30	bolt (DIN 933 M6x30)	
16	1	AT01-4520-224	bulkhead fitting (size 6)	
17	1	AT01-4520-223	bulkhead fitting (size 5)	
18	1	AT01-8010-109	washer	
19	1	AT01-8020-100	washer	
20	1	AT01-7080-396	fuel supply hose (part of fuel pump assy AT01-7080-396)	
21	1	AT01-8020-007	fuel return hose	
- 22	1	AT01-7080-396	mechanical fuel pump assy ROTAX	

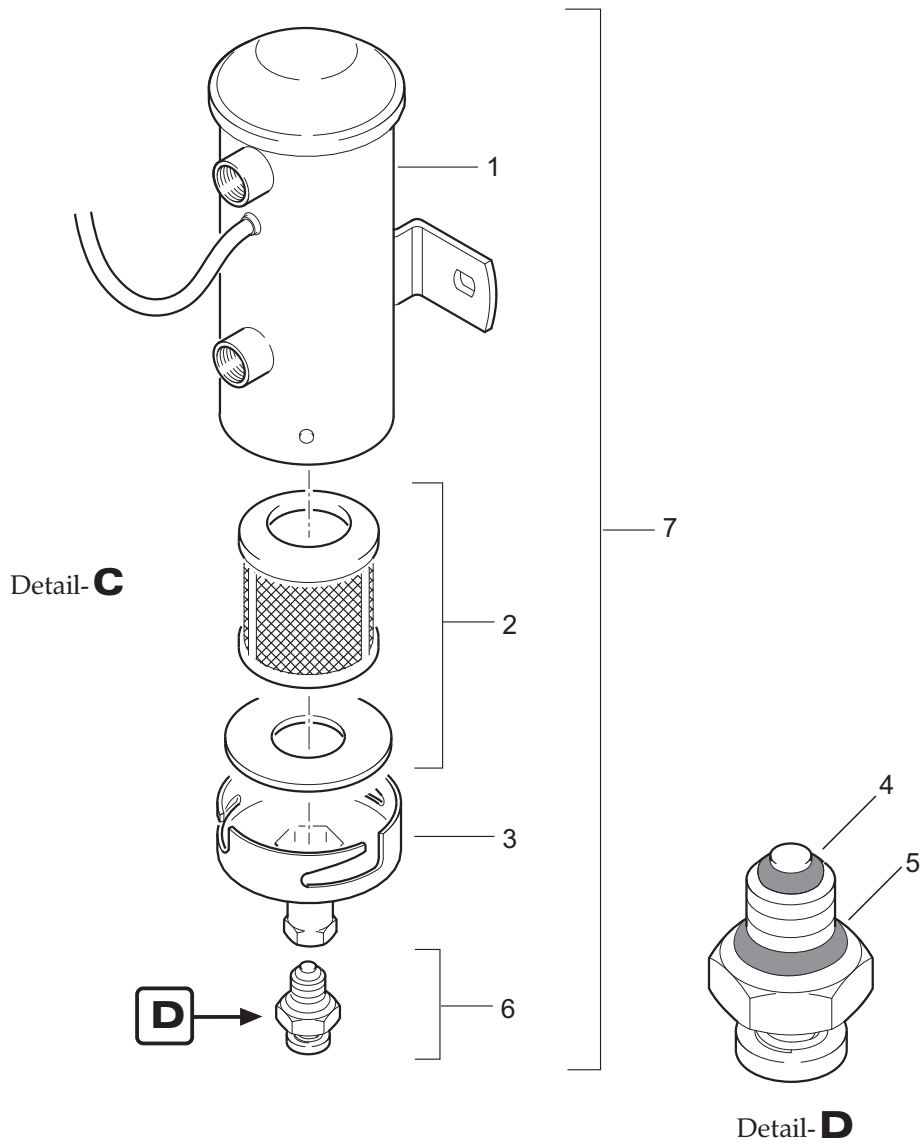
- Item not illustrated

Fuel System - Engine Compartment
Figure 4 (1)

28-00-00

Page 9

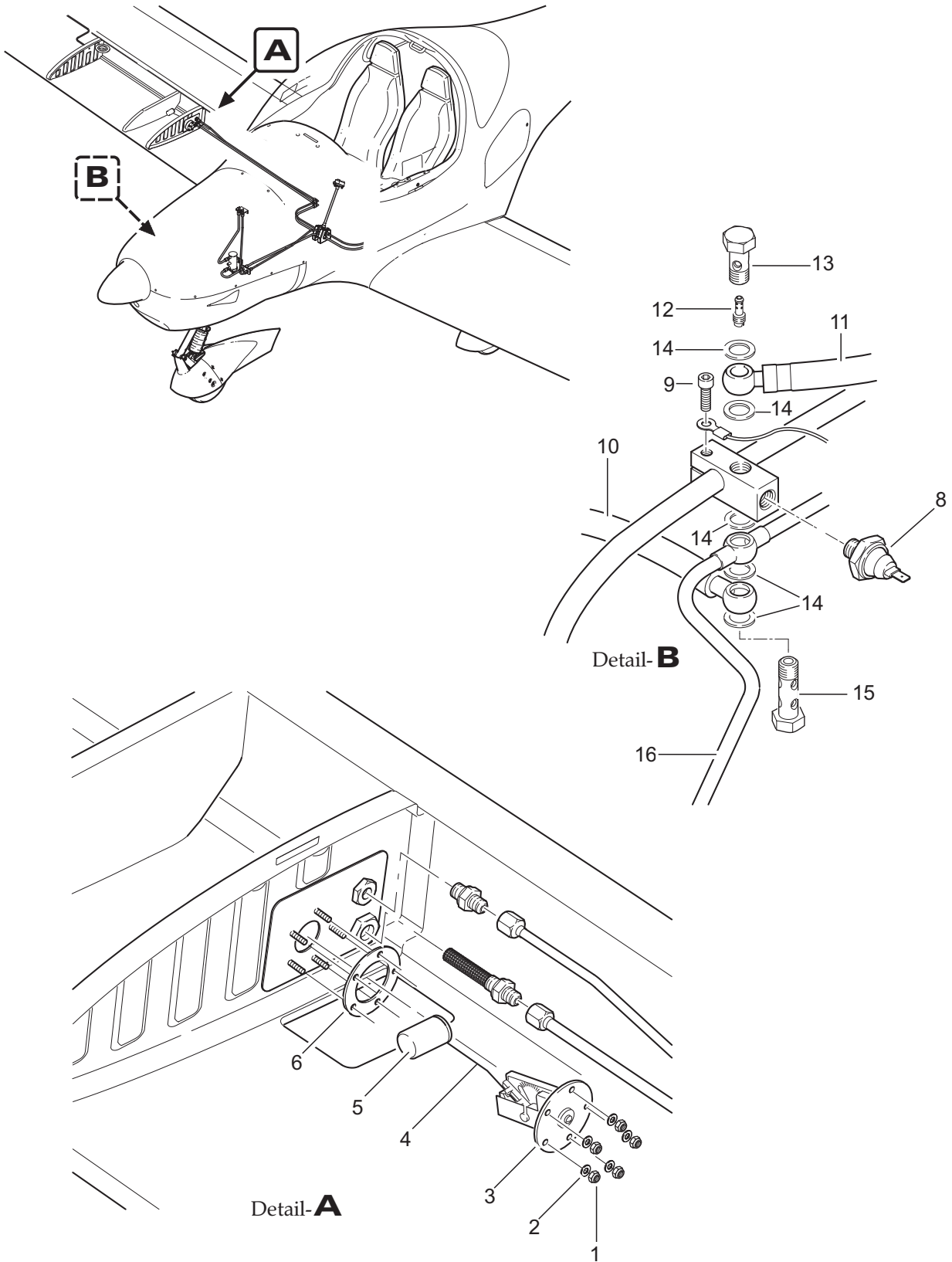
29.04.16



Fuel System - Engine Compartment
Figure 4 (2)

Fig. Item	QTY	Part Number	Nomenclature	Effectivity
4 (2)			Fuel System - Engine Compartment	
1	1	AT01-8010-098	electrical fuel pump (w/o cap, with e-connector)	
2	1	AT01-8010-114	filter and gasket	
3	1	AT01-8010-010	electrical fuel pump cap	
4	1	AT01-8010-115	gasket (included in drain valve)	
5	1	AT01-8010-116	gasket (included in drain valve)	
6	1	AT01-8010-012 STND	drain valve (standard version ¹⁾ / including gaskets)	
		AT01-8010-012 LONG	drain valve (optional long version ¹⁾ / including gaskets)	
7	1	AT01-8010-011	electrical fuel pump assy	

¹⁾ Refer to SI-AT01-018 annex 8 for further information.



EFFECTIVITY

251 - 299

Fuel Quantity / Pressure Indication
Figure 5A

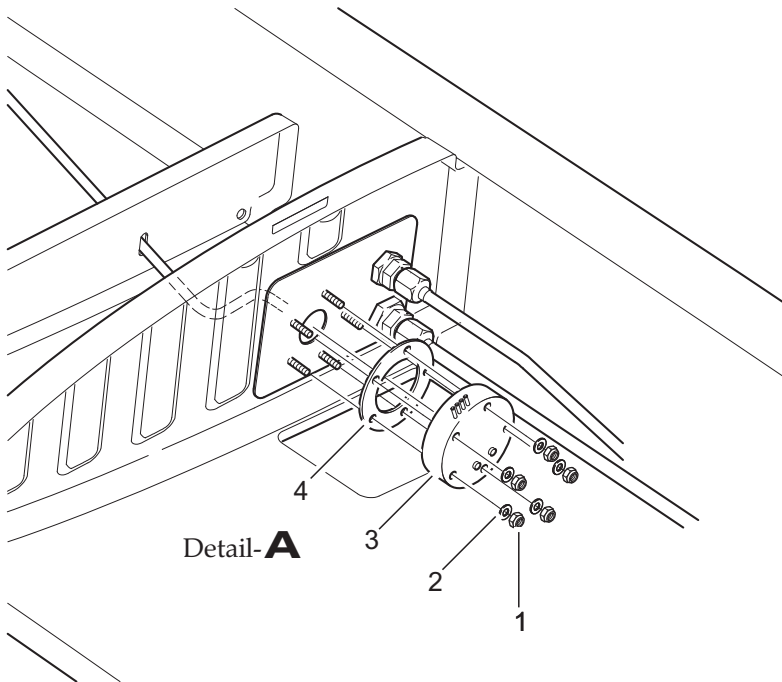
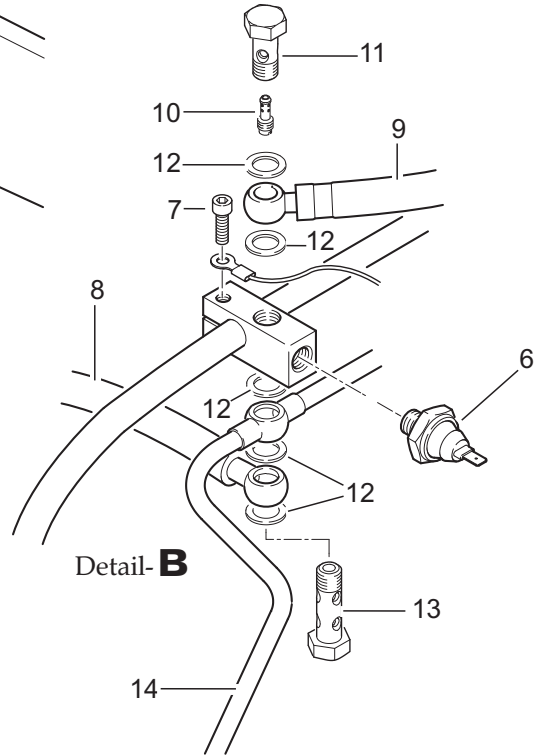
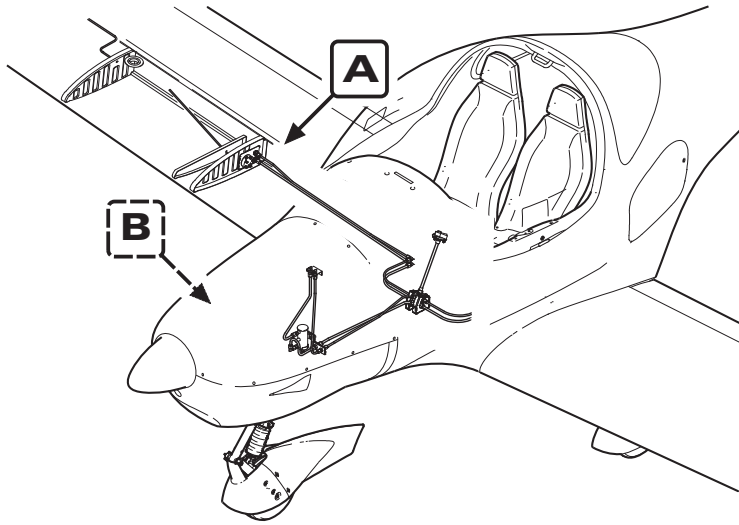
28-00-00

Page 12A

29.04.16

Fig. Item	QTY	Part Number	Nomenclature	Effectivity
5A			Fuel Quantity / Pressure Indication	251 - 299
1	5	1800985_M5	locknut (DIN 985 M5)	
2	5	1800125_5,3	washer (DIN 125 5,3x10)	
3	1	AT01-8030-174	fuel level sender RH	
4	1	AT01-8030-178	lever / shepherds crook (for use without calibration module ¹⁾)	
		AT01-8030-186	lever / shepherds crook (for use with calibration module ¹⁾)	
5	1	AT01-8030-179	float	
6	1	AT01-8030-106	gasket	
-7	1	AT01-8030-173	fuel level sender LH	
8	1	AT01-7030-200	fuel pressure sensor	analog instr.
9	1	1800912_M5x16	bolt (DIN 912 M5x16)	
10	1	AT01-7080-396	fuel supply hose (part of fuel pump assy AT01-7080-396)	
11	1	AT01-8020-007	fuel return hose	
12	1	AT01-7050-108	restricting orifice (0,25mm)	
	1	AT01-8020-104	restricting orifice (0,20mm / optional / refer to SI-AT01-018 annex 11)	
13	1	Ro 941785	banjo bolt	
14	4	Ro 950143	gasket	
15	1	Ro 940872	banjo bolt	
16	1	Ro 874911	fuel hose	

¹⁾The calibration module is installed on the back of the fuel gauge. Refer to 77-00-00 and SI-AT01-018 annex 12 for further information.



EFFECTIVITY

101 - 250

Fuel Quantity / Pressure Indication
Figure 5B

28-00-00

Page 12B

29.04.16

Fig. Item	QTY	Part Number	Nomenclature	Effectivity
5B			Fuel Level / Pressure Sensor Installation	101 - 250
1	5	1800985_M5	locknut (DIN 985 M5)	
2	5	1800125_5,3	washer (DIN 125 5,3x10)	
3	1	AT01-8030-120	fuel level sender RH (with potentiometer for calibration)	(Type 1)
3	1	AT01-8030-124	fuel level sender RH (without potentiometer for calibration)	(Type 1)
3	1	AT01-8030-130	fuel level sender "NGF" RH (with potentiometer for calibration)	(Type 2)
3	1	AT01-8030-132	fuel level sender "NGF" RH (w/o potentiometer for calibration)	(Type 2)
4	1	AT01-8030-106	gasket	
-5	1	AT01-8030-121	fuel level sender LH (with potentiometer for calibration)	(Type 1)
-5	1	AT01-8030-125	fuel level sender LH (without potentiometer for calibration)	(Type 1)
-5	1	AT01-8030-131	fuel level sender "NGF" LH (with potentiometer for calibration)	(Type 2)
-5	1	AT01-8030-133	fuel level sender "NGF" LH (w/o potentiometer for calibration)	(Type 2)
6	1	AT01-7030-200	fuel pressure sensor	
7	1	1801912_M5x16	bolt (DIN 912 M5x16)	
8	1	AT01-7080-396	fuel supply hose (part of fuel pump assy AT01-7080-396)	
9	1	AT01-8020-007	fuel return hose	
10	1	AT01-7050-108	restricting orifice (0,25 mm)	
	1	AT01-8020-104	restricting orifice (0,20mm / optional / refer to SI-AT01-018 annex 11)	
11	1	Ro 941785	banjo bolt	
12	4	Ro 950143	gasket	
13	1	Ro 940872	banjo bolt	
14	1	Ro 874911	fuel hose	

Notes:

Two different types of capacitive fuel level indicating systems are in use. The systems are not compatible to each other and require specific fuel level senders and gauges:

- Type 1: S/N AT01-101 up to AT01-160 (may differ due to modifications)

This type of sender may only be used in conjunction with the fuel gauge AT01-2840-122.

- Type 2: S/N AT01-161 up to AT01-250 (may differ due to modifications)

This type of sender may only be used in conjunction with the fuel gauges AT01-2840-202 or AT01-2840-203.

The fuel level senders with calibration potentiometers may be replaced by those without potentiometers and vice versa.

For example: AT01-8030-120 may be replaced by AT01-8030-124, but is not compatible to AT01-8030-130 or AT01-8030-132.



AQUILA AT01
ILLUSTRATED PARTS CATALOG

CHAPTER 31
INDICATING/RECORDING
SYSTEMS



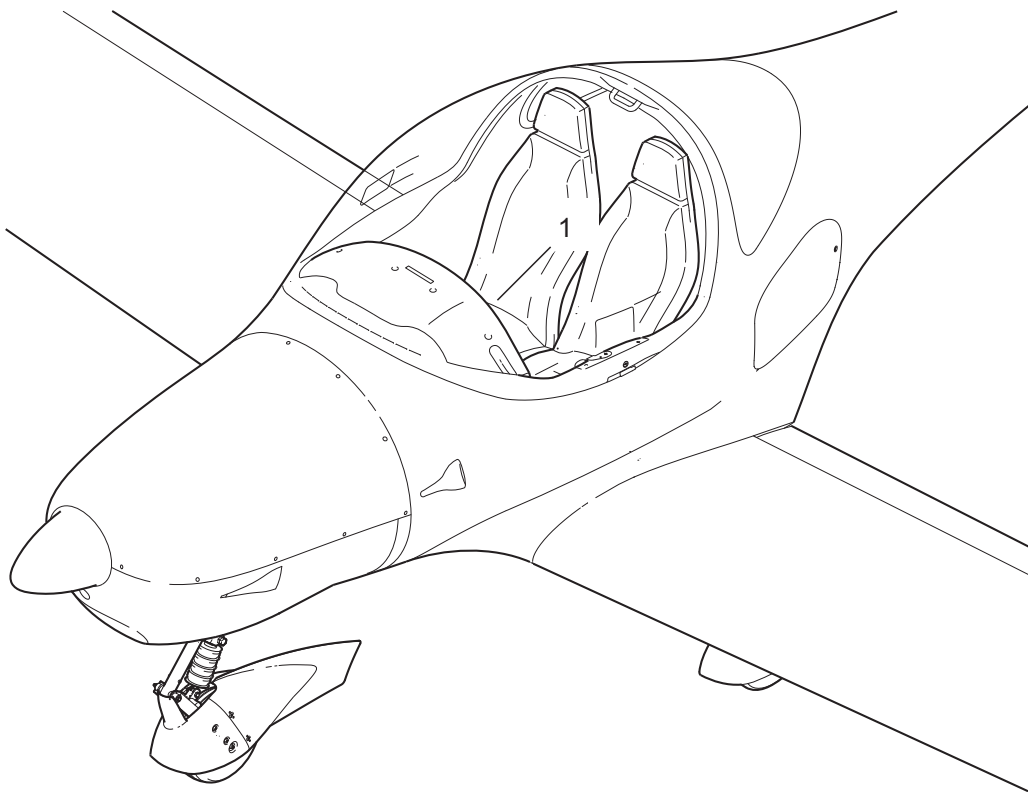
AQUILA AT01

ILLUSTRATED PARTS CATALOG

TABLE OF CONTENTS

<u>Title</u> <u>Subject</u>	<u>Chapter</u> <u>Section</u> <u>Subject</u>	<u>Page</u>	<u>Effectivity</u>
INDICATING / RECORDING SYSTEMS - GENERAL	31-00-00	1	
Indicating / Recording Systems - General	31-00-00	2	
Misc. Indicators / Indicating Devices	31-00-00	4	

INDICATING / RECORDING SYSTEMS
GENERAL



Indicating / Recording Systems - General
Figure 1



AQUILA AT01

ILLUSTRATED PARTS CATALOG

Fig. Item	QTY	Part Number	Nomenclature	Effectivity
1			Indicating / Recording Systems - General	
	1		Misc. Indicators / Indicating Devices (refer to 31-00-00, figure 2 for details)	

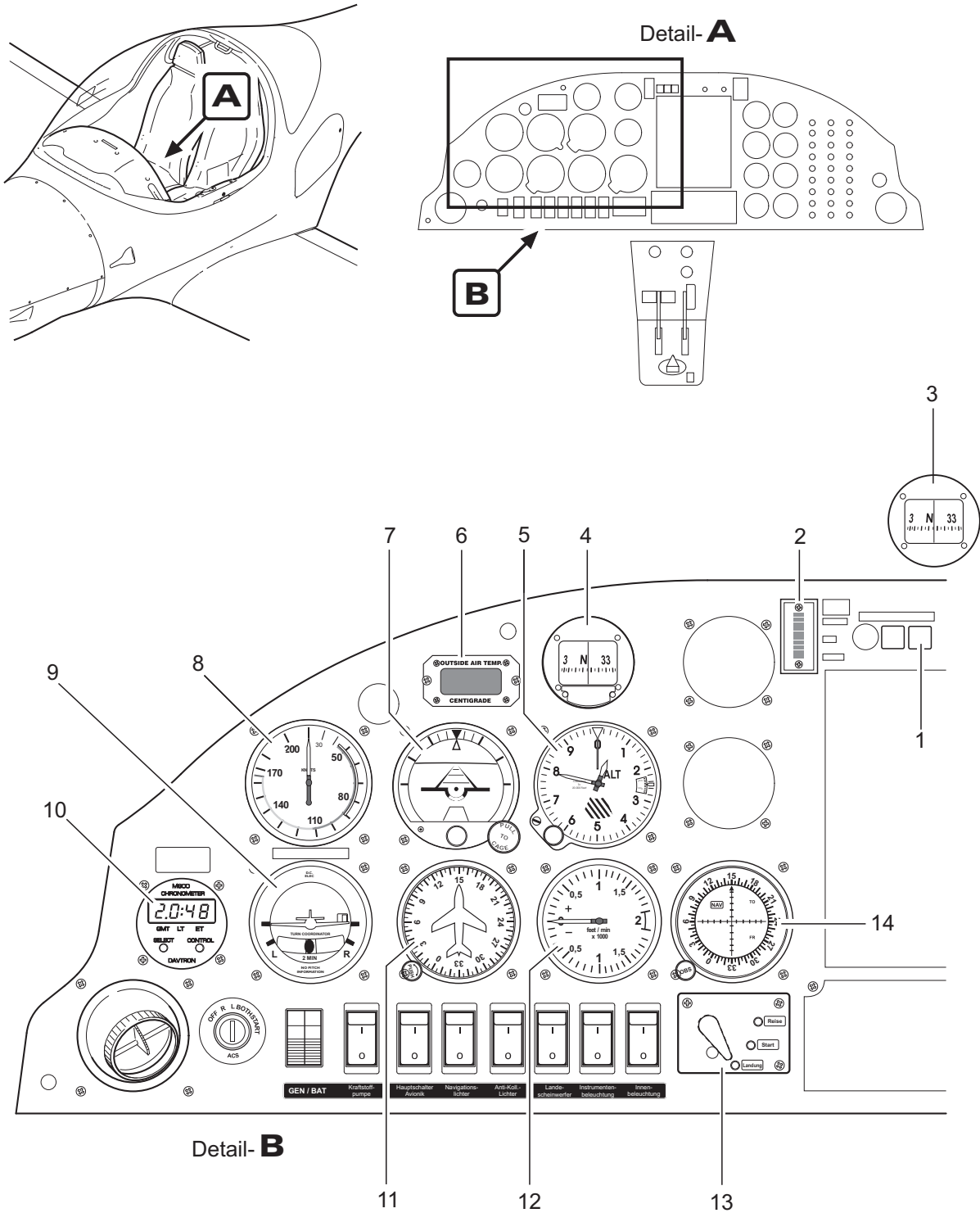
- Item not illustrated

Indicating / Recording Systems - General
Figure 1

31-00-00

Page 3

29.04.16



Misc. Indicators / Indicating Devices
 Figure 2

Fig. Item	QTY	Part Number	Nomenclature	Effectivity
2			Misc. Indicators / Indicating Devices	
1	1	AT01-4530-802	warning light red	
	1	AT01-4530-804	warning light yellow (Pitot-heating)	
2	1	AT01-2840-181	trim position indicator	
3	1	AT01-2840-142	compass Airpath C2400-L4P (northern hemisphere)	
	1	AT01-2840-173	compass Airpath C2400-L4P (southern hemisphere)	
4	1	AT01-2840-135	compass Airpath C2300	
5	1	AT01-2840-130	altimeter Mid Continent 5934PM-3 (Ø 80mm)	
	1	AT01-2840-170	altimeter Mid Continent 5934PM-3 (Ø 80mm, lighted)	
	1	AT01-2840-128	altimeter Winter 4 FGH 40 (Ø 57mm)	
	1	AT01-2840-145	altimeter Mid Continent MD15-212 (Ø 57mm, lighted)	
	1	AT01-2840-182	altimeter Mid Continent 5237M (Ø 57mm, lighted)	
6	1	AT01-2840-200	outside air temperature indicator Davtron	
7	1	AT01-2840-149	attitude gyro RC Allen 26 AK-3	
	1	AT01-2840-150	attitude gyro RC Allen 26 AK-4	
	1	AT01-2840-153	attitude gyro Mid Continent 4300-311 (Ø 80mm, lighted)	
	1	AT01-2840-161	attitude gyro Mid Continent 4200-11 (Ø 57mm, lighted)	
	1	AT01-2840-158	attitude gyro RC Allen 2600-2 (Ø 57mm)	
8	1	AT01-2840-131	airspeed indicator Winter 6 FMS 5 (Ø 80mm)	
	1	AT01-2840-108	airspeed indicator Mid Continent 8025 (Ø 80mm)	
	1	AT01-2840-148	airspeed indicator Winter 7 FMS 5 (Ø 57mm)	
9	1	AT01-2840-152	turn coordinator RC Allen 82A-11	
	1	AT01-2840-156	turn coordinator Mid Continent MD1394 (Ø 80mm)	
10	1	AT01-2840-193	chronometer Astrotech	
	1	AT01-2840-194	Quarz clock	
	1	AT01-2840-195	Quarz clock ELT	
	1	AT01-2840-197	chronometer	
	1	AT01-2840-199	chronometer	
	1	AT01-2840-198	chronometer Davtron (Ø 57mm)	
11	1	AT01-2840-151	directional gyro RC Allen	
	1	AT01-2840-169	directional gyro Mid Continent MD3300-10 (Ø 80mm)	
	1	AT01-2840-157	directional gyro Mid Continent MD3300-11 (Ø 80mm, lighted)	
12	1	AT01-2840-133	vertical speed indicator 5VM	
	1	AT01-2840-100	vertical speed indicator UMA T8-310-20 (Ø 80mm)	
13	1	AT01-8220-067	flap switch / indicator	
14	1	AT01-8730-201	course deviation indicator (CDI) Garmin GI-106A	
-15	1	AT01-8250-106	trim switch	

- Item not illustrated

Misc. Indicators / Indicating Devices
Figure 2

31-00-00

Page 5

29.04.16



AQUILA AT01
ILLUSTRATED PARTS CATALOG

CHAPTER 32
LANDING GEAR

TABLE OF CONTENTS

<u>Title</u> <u>Subject</u>	<u>Chapter</u> <u>Section</u> <u>Subject</u>	<u>Page</u>	<u>Effectivity</u>
MAIN GEAR	32-10-00	1	
Main Gear - General	32-10-00	2	
Main Gear Fairing Installation	32-10-00	4A	“High Speed”
Main Gear Fairing Installation	32-10-00	4B	“Soft Field”
Main Gear Leg Installation	32-10-00	6	
Main Gear Wheel Installation	32-10-00	8	
Main Gear Leg Protection	32-10-00	10	
NOSE GEAR	32-20-00	1	
Nose Gear - General	32-20-00	2	
Nose Gear Fairing Installation	32-20-00	4A	“High Speed”
Nose Gear Fairing Installation	32-20-00	4B	“Soft Field”
Nose Gear Strut Installation	32-20-00	6	
Nose Gear Strut Installation	32-20-00	8	
Nose Gear Fork/Damper Installation	32-20-00	10	
Damper Assembly	32-20-00	12A	101 - 196
Damper Assembly	32-20-00	12B	197 - 299
Nose Gear Wheel Installation	32-20-00	14	
WHEELS & BRAKES	32-40-00	1	
Wheels & Brakes - General	32-40-00	2	
Wheel Assembly	32-40-00	4	
Brake System Installation - Front	32-40-00	6A	101 - 102
Brake System Installation - Front	32-40-00	6B	103 - 299
Brake System Installation - Rear	32-40-00	8A	101 - 122
Brake System Installation - Rear	32-40-00	8B	123 - 299
Brake Caliper Installation	32-40-00	10	

MAIN GEAR

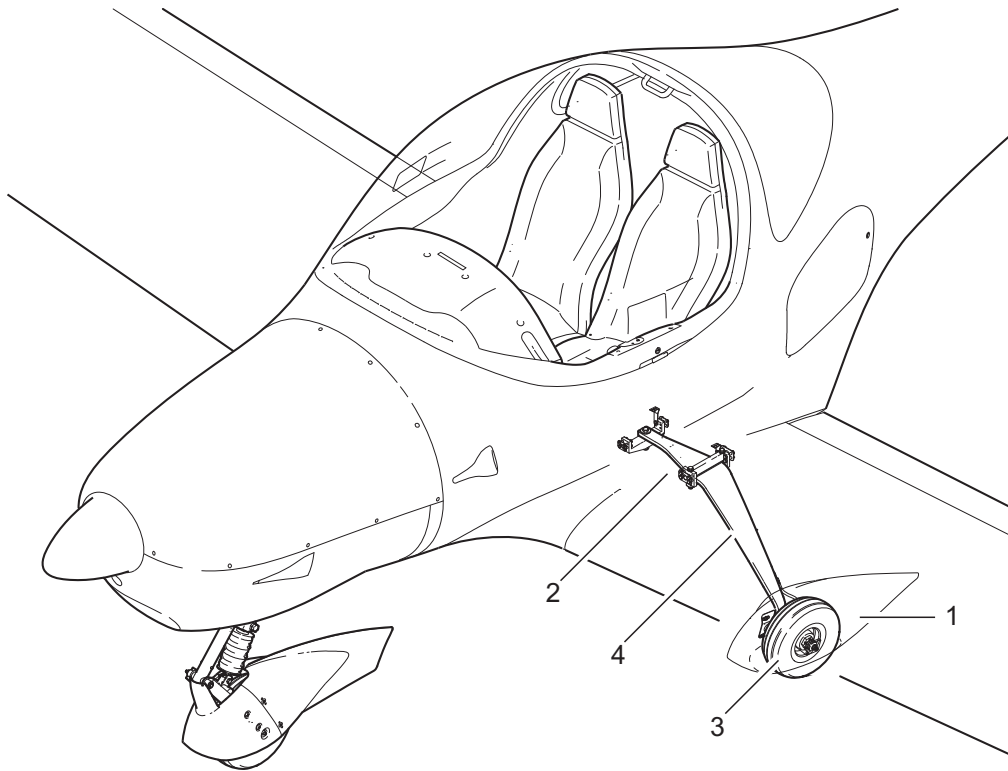
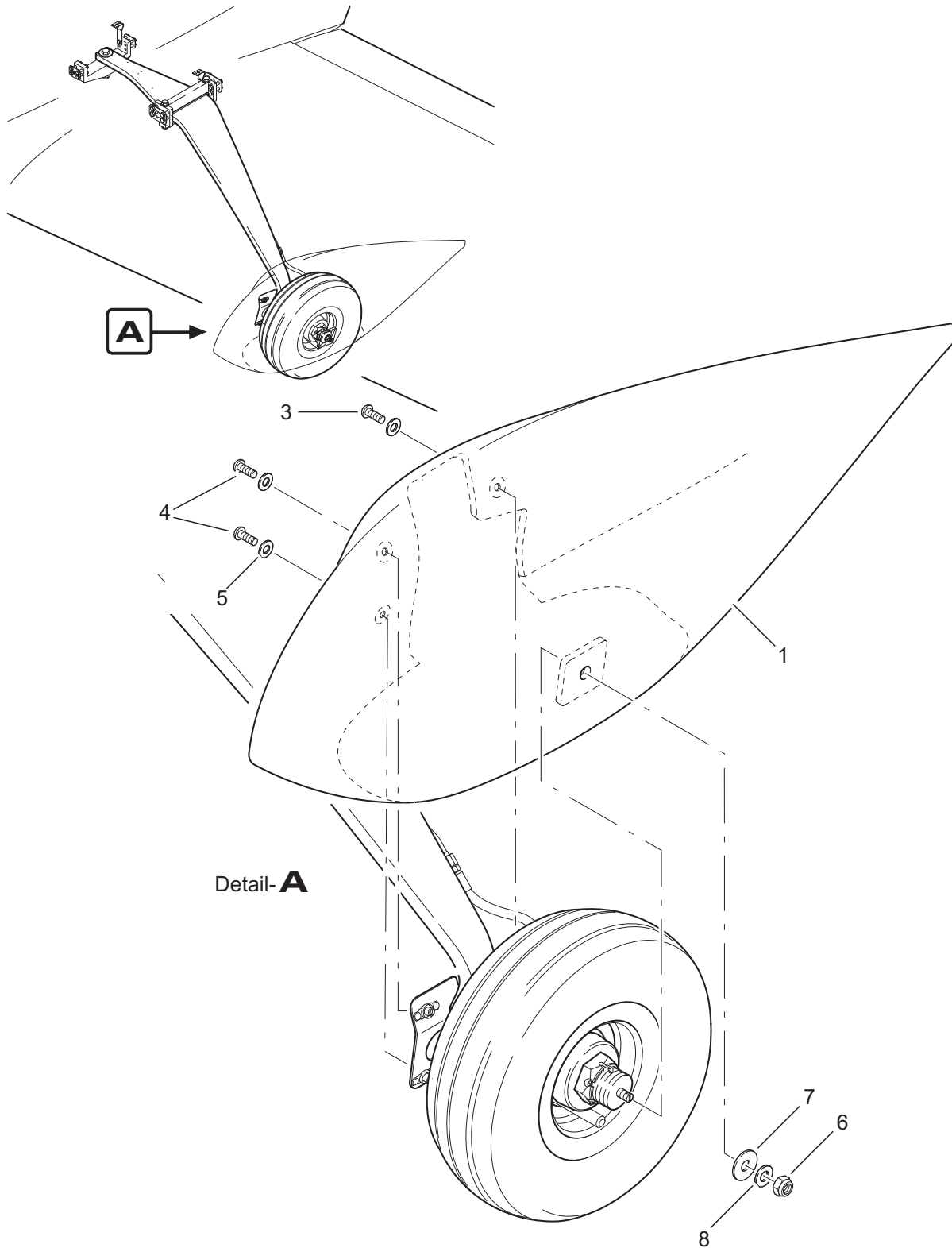


Fig. Item	QTY	Part Number	Nomenclature	Effectivity
1			Main Gear - General	
	1		Main Gear Fairing Installation (refer to 32-10-00, figure 2A for details)	"High Speed"
	-1		Main Gear Fairing Installation (refer to 32-10-00, figure 2B for details)	"Soft Field"
	2		Main Gear Leg Installation (refer to 32-10-00, figure 3 for details)	
	3		Main Gear Wheel Installation (refer to 32-10-00, figure 4 for details)	
	4		Main Gear Leg Protection (refer to 32-10-00, figure 5 for details)	

- Item not illustrated



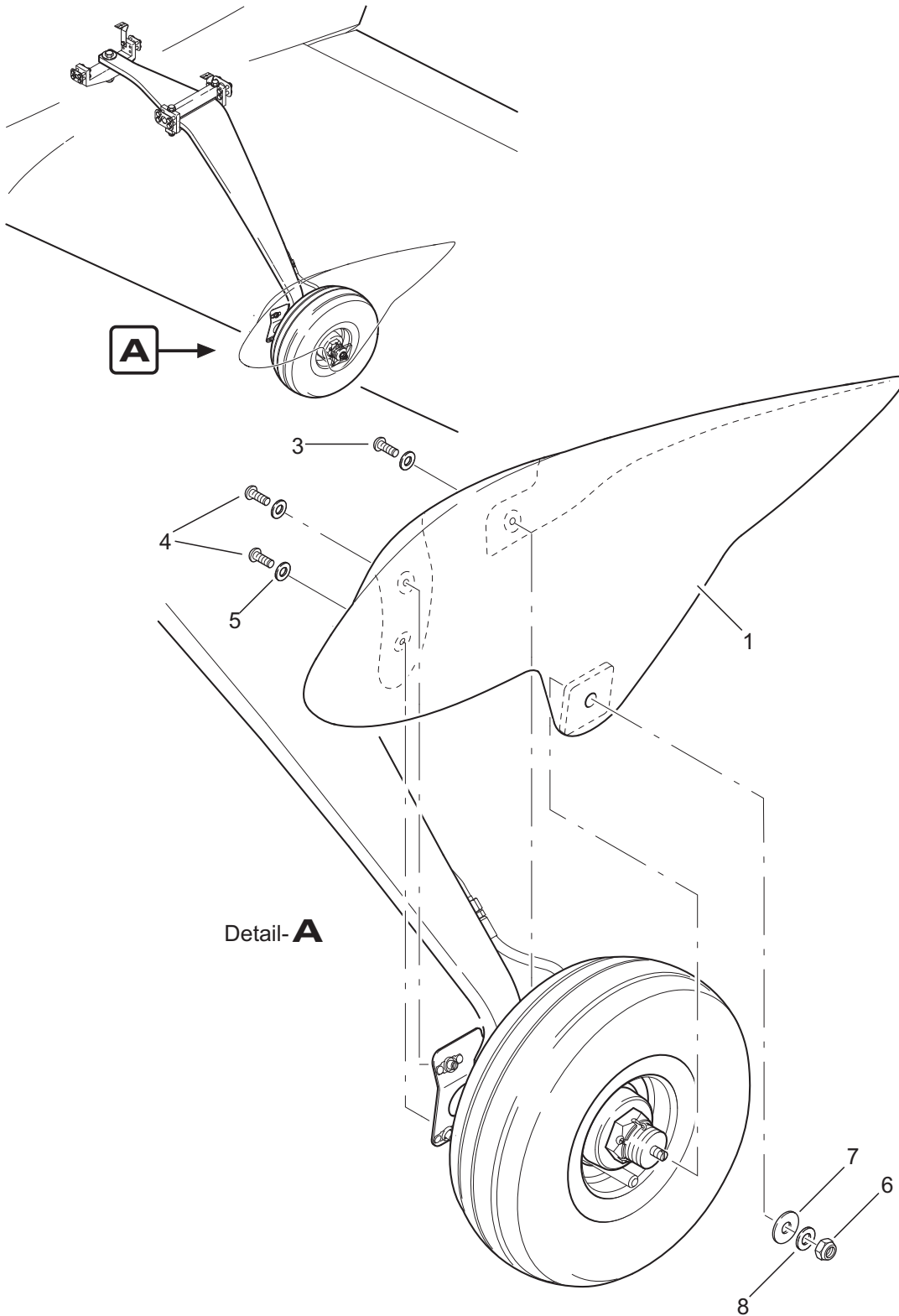
EFFECTIVITY

Aircraft equipped with main gear fairings "High Speed"

Main Gear Fairing Installation
Figure 2A

Fig. Item	QTY	Part Number	Nomenclature	Effectivity
2A			Main Gear Fairing Installation	"High Speed"
1	1	AT01-5030-001-070	main gear fairing "High Speed" LH	
-2	1	AT01-5030-002-070	main gear fairing "High Speed" RH	
<u>Option A: Wheel fairing installation with steel washers</u>				steel washers
3	1	1800933_M6x20	bolt (DIN 933 M6x20)	
4	2	1800933_M6x16	bolt (DIN 933 M6x16)	
5	3	1809021_6,4	washer (DIN 9021 6,4x18)	
6	1	1800985_M8	locknut (DIN 985 M8)	
7	1	1809021_8,4	washer (DIN 9021 8,4x24)	
8	-	-	-	
<u>Option B: Wheel fairing installation with polyamide washers</u>				PA washers
3	1	1807380_6x20 ULF	bolt (ISO 7380 M6x20 ULF)	
4	2	1807380_6x16 ULF	bolt (ISO 7380 M6x16 ULF)	
5	3	1809021_6,4_PA	washer (DIN 9021 6,4x18 polyamide)	
6	1	1800985_M8	locknut (DIN 985 M8)	
7	1	1809021_8,4_PA	washer (DIN 9021 8,4x24 polyamide)	
8	1	1800125_8,4	washer (DIN 125 8,4x16)	
<u>Service Kits & Tools</u>				
		AT01-5030-001-096	main gear fairing "High Speed" LH (incl. mounting material)	
		AT01-5030-002-096	main gear fairing "High Speed" RH (incl. mounting material)	

- Item not illustrated



Detail-**A**

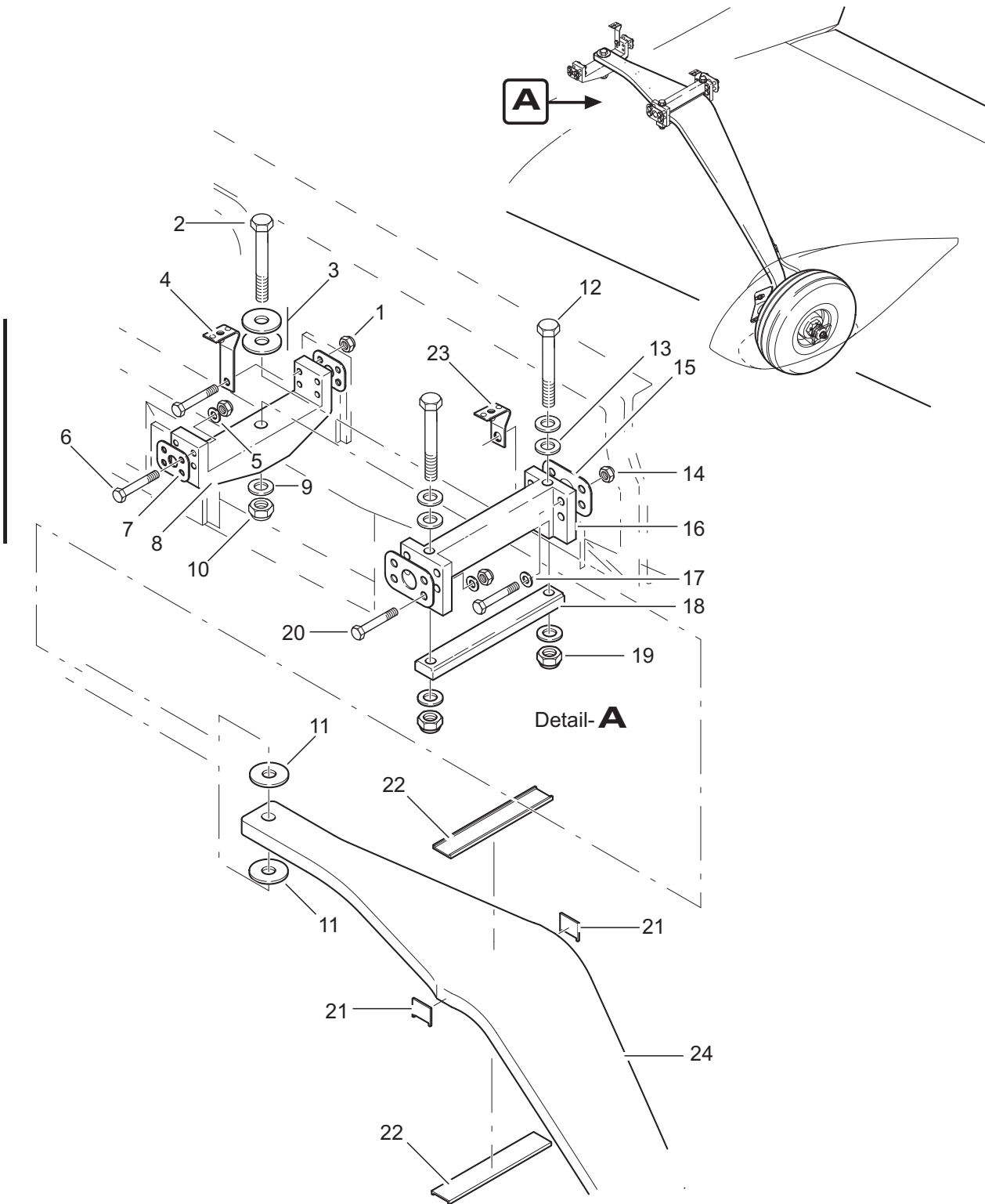
EFFECTIVITY

Aircraft equipped
with main gear
fairings "Soft Field"

Main Gear Fairing Installation
Figure 2B

Fig. Item	QTY	Part Number	Nomenclature	Effectivity
2B			Main Gear Fairing Installation	"Soft Field"
1	1	AT01-5030-007-070	main gear fairing "Soft Field" LH	
-2	1	AT01-5030-008-070	main gear fairing "Soft Field" RH	
<u>Option A: Wheel fairing installation with steel washers</u>				steel washers
3	1	1800933_M6x20	bolt (DIN 933 M6x20)	
4	2	1800933_M6x16	bolt (DIN 933 M6x16)	
5	3	1809021_6,4	washer (DIN 9021 6,4x18)	
6	1	1800985_M8	locknut (DIN 985 M8)	
7	1	1809021_8,4	washer (DIN 9021 8,4x24)	
8	-	-	-	
<u>Option B: Wheel fairing installation with polyamide washers</u>				PA washers
3	1	1807380_6x20 ULF	bolt (ISO 7380 M6x20 ULF)	
4	2	1807380_6x16 ULF	bolt (ISO 7380 M6x16 ULF)	
5	3	1809021_6,4_PA	washer (DIN 9021 6,4x18 polyamide)	
6	1	1800985_M8	locknut (DIN 985 M8)	
7	1	1809021_8,4_PA	washer (DIN 9021 8,4x24 polyamide)	
8	1	1800125_8,4	washer (DIN 125 8,4x16)	
<u>Service Kits & Tools</u>				
		AT01-5030-007-096	main gear fairing "Soft Field" LH (incl. mounting material)	
		AT01-5030-008-096	main gear fairing "Soft Field" RH (incl. mounting material)	

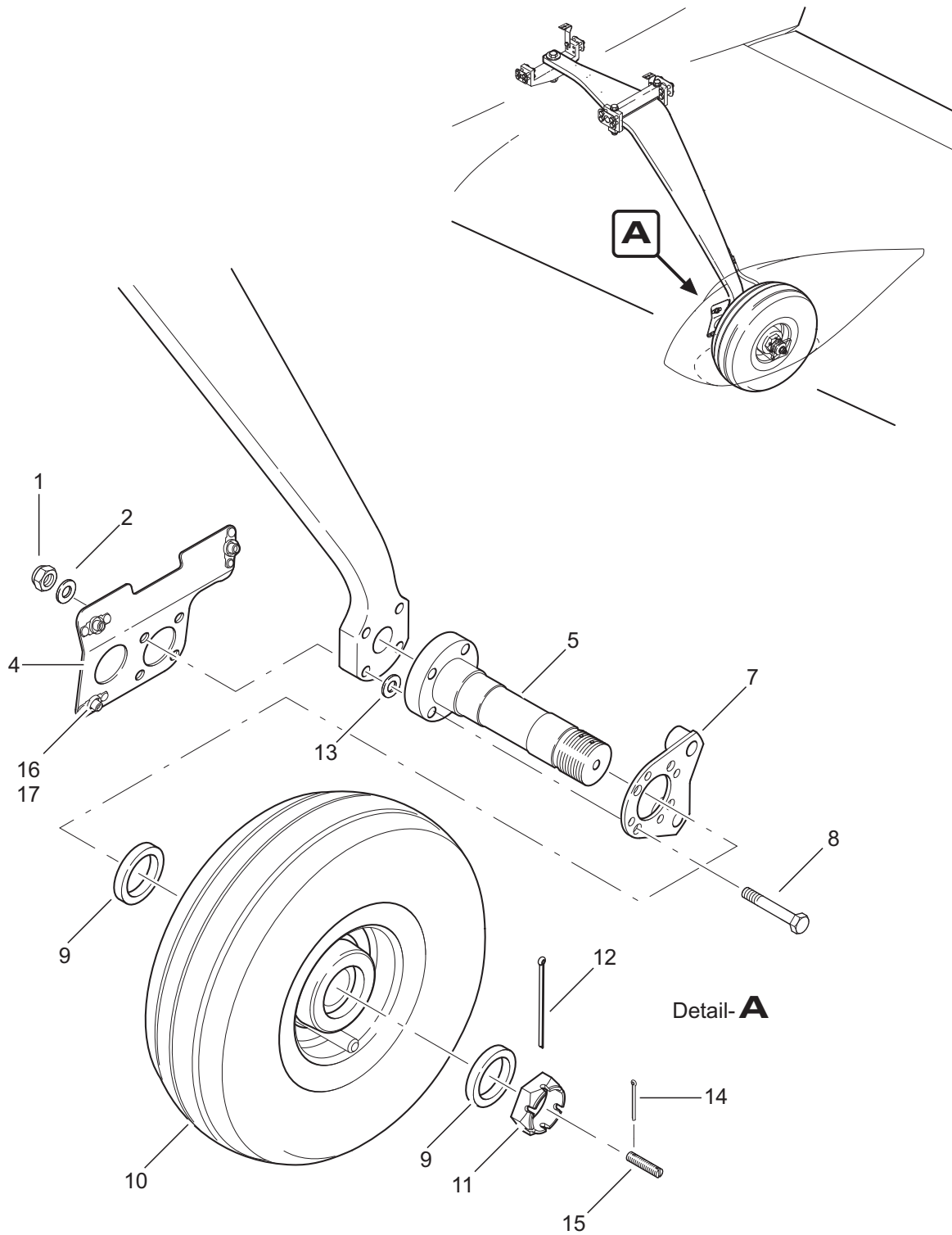
- Item not illustrated



Main Gear Leg Installation
Figure 3

Fig. Item	QTY	Part Number	Nomenclature	Effectivity
3			Main Gear Leg Installation	
1	8	1800985_M6	nut (DIN 985 M6)	
2	1	1800931_M12x85	bolt (DIN 931 M12x85)	
3	4	1800440_13,5	washer (DIN 440 13,5x44)	
4	1	AT01-2160-015	central suspension for landing gear duct cover	
5	7	1800125_6,4	washer (DIN 125 6,4x12)	
6	8	1800931_M6x45	bolt (DIN 931 M6x45)	
7	2	AT01-5050-102	bearing plate (inner yoke)	
8	1	AT01-5050-100	inner yoke	
9	1	1800125_13HV2	washer (DIN 125 13x24)	
10	1	1800985_M12	locknut (DIN 985 M12)	
11	2	1809021_13 Nylon	polyamide washer (DIN 9021 13x37)	
12	2	1800931_M10x90	bolt (DIN 931 M10x90)	
13	6	1800125_10,5	washer (DIN 125 10,5x20)	
14	8	1800985_M8	locknut (DIN 985 M8)	
15	2	AT01-5050-110	bearing plate (outer yoke)	
16	1	AT01-5050-101	outer yoke	
17	7	1800125_8,4	washer (DIN 125 8,4x16)	
18	1	AT01-5050-103	support bracket (outer yoke)	
19	2	1800985_M10	locknut (DIN 985 M10)	
20	8	1800931_M8x50	bolt (DIN 931 M8x50)	
21	2	AT01-5050-105	UHMW element 2	
22	2	AT01-5050-104	UHMW element 1	
23	1	AT01-2160-016	outer suspension for landing gear duct cover	
24	1	AT01-5010-202	main gear leg LH	
- 25	1	AT01-5010-201	main gear leg RH	

- Item not illustrated



Main Gear Wheel Installation
Figure 4

Fig. Item	QTY	Part Number	Nomenclature	Effectivity
4			Main Gear Wheel Installation	
1	4	1800985_M8	locknut (DIN 985 M8)	
2	4	1800125_8,4	washer (DIN 125 d 8,4x16)	
- 3	1	AT01-5030-004	main gear fairing bracket RH	
4	1	AT01-5030-003	main gear fairing bracket LH	
5	1	AT01-5010-100	main landing gear axle	
- 6	1	AT01-5020-352	torque plate Cleveland RH	Cleveland
		AT01-5020-359	torque plate Grove RH	Grove
7	1	AT01-5020-351	torque plate Cleveland LH	Cleveland
		AT01-5020-358	torque plate Grove LH	Grove
8	8	1809037_08048	bolt (LN 9037 M8x48)	
9	2	AT01-5020-202	spacer bushing	
10	1	AT01-5040-001	main wheel Cleveland (incl. rim, tire and brake disc)	Cleveland
		AT01-5040-003	main wheel Grove (incl. rim, tire and brake disc)	Grove
11	1	AT01-5020-201	axle nut	
12	1	1800094_3,2x63	split pin (DIN 94 3,2x63)	
13	AR	1800988_8/0,05	adjusting washer (as required)	
14	1	1800094_2x40	split pin (DIN 94 2x40)	
15	1	AT01-5030-102	bolt	
16	3	18029679M6	rivet nut (LN 29679 M6; incl. in item 3 & 4)	
17	6	1807337_3,2x6 ES/ES	rivet (DIN 7337 3,2x6; incl. in item 3 & 4)	

- Item not illustrated

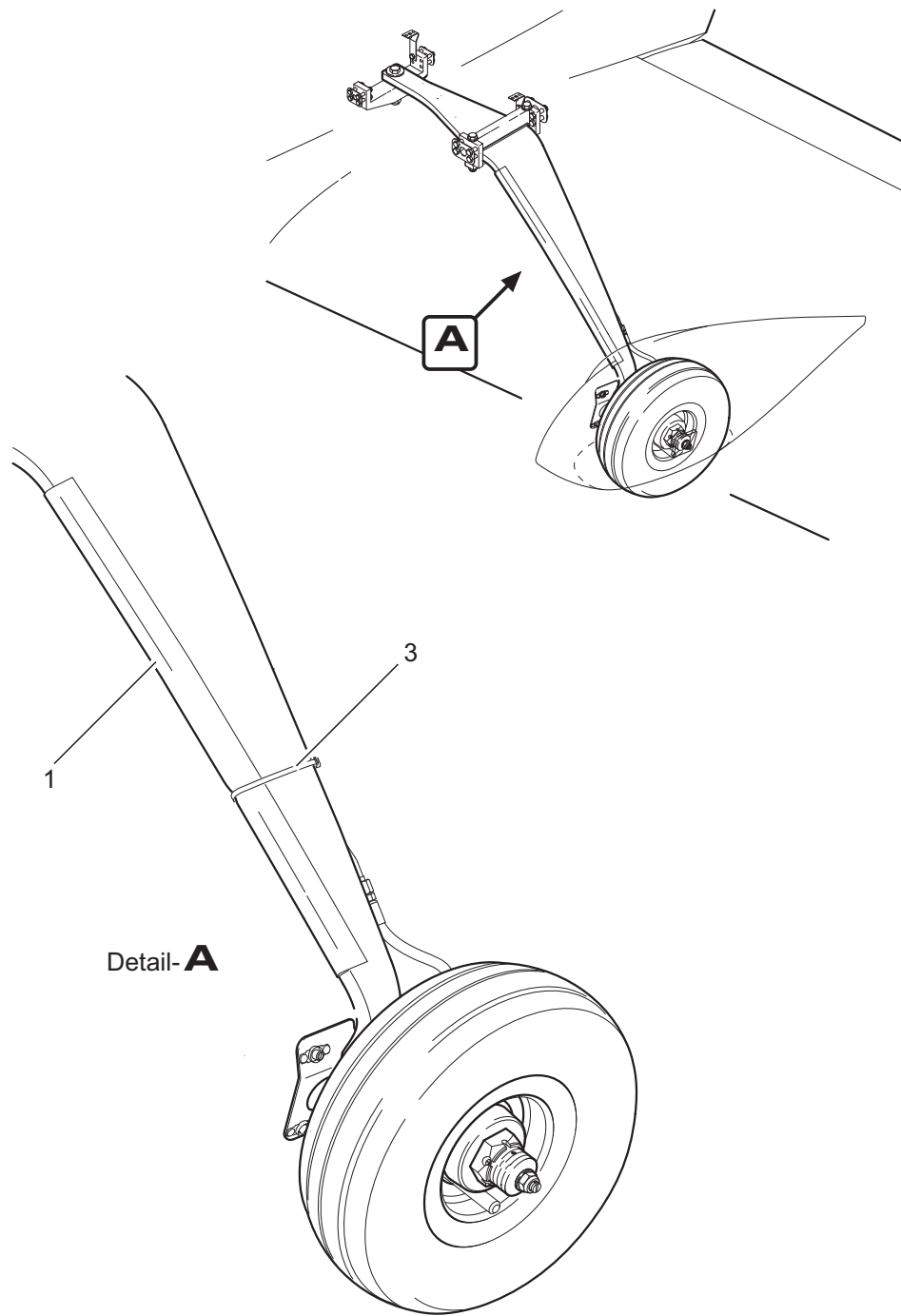
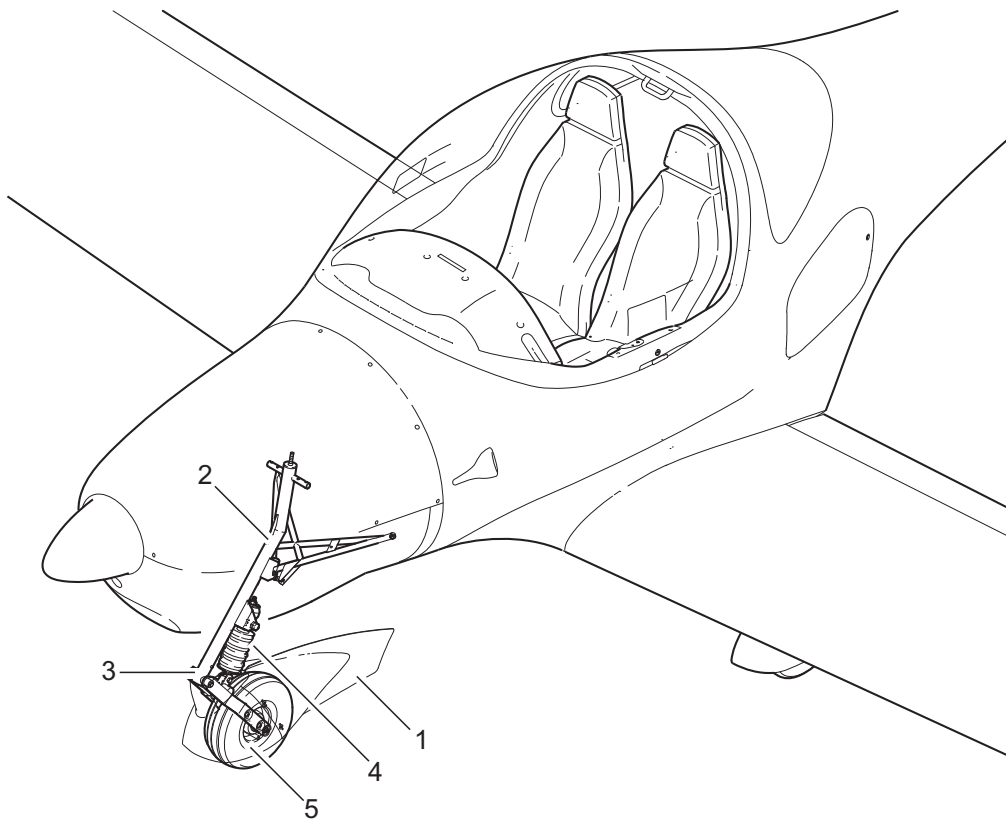


Fig. Item	QTY	Part Number	Nomenclature	Effectivity
5			Main Gear Leg Protection	
1	1	AT01-5030-104	leg protection	
- 2	AR	AT01-1960-176	construction glue	
3	1	AT01-4530-910	tightening strap	
- 4	AR	AT01-1440-178	leg protection foil (self-adhesive / alternative to items 1-3)	

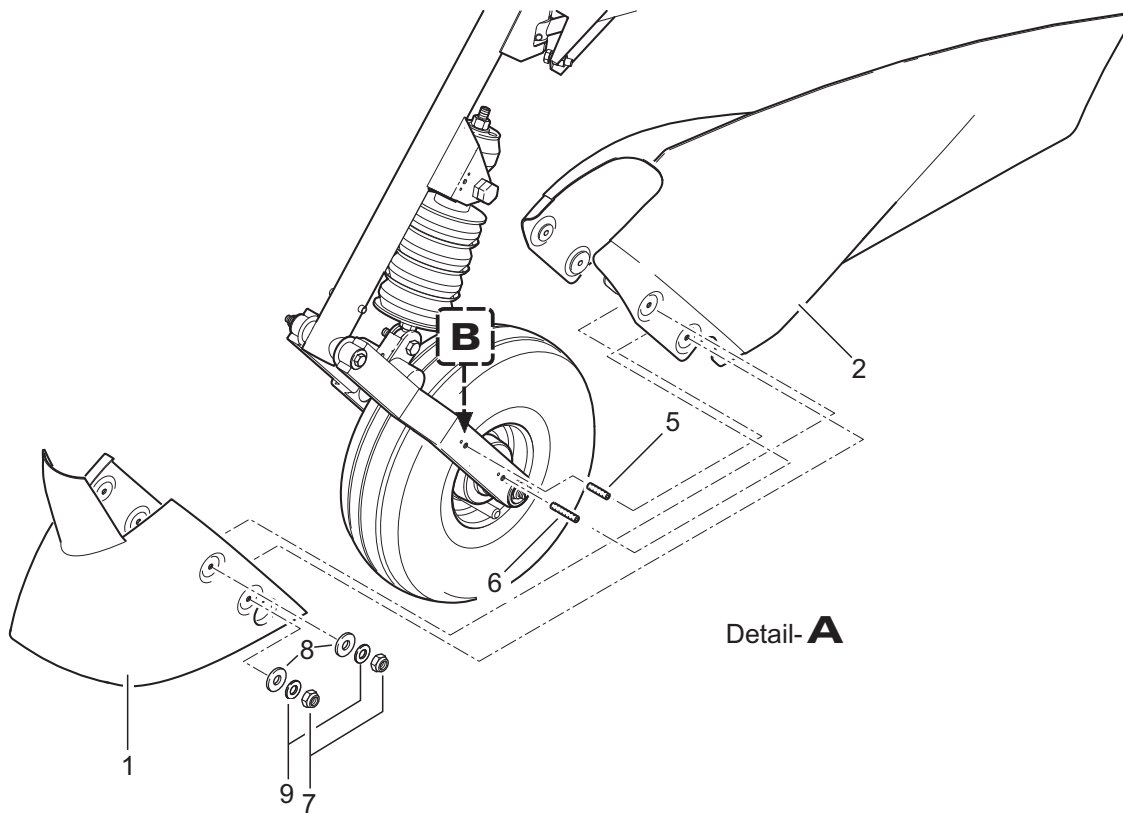
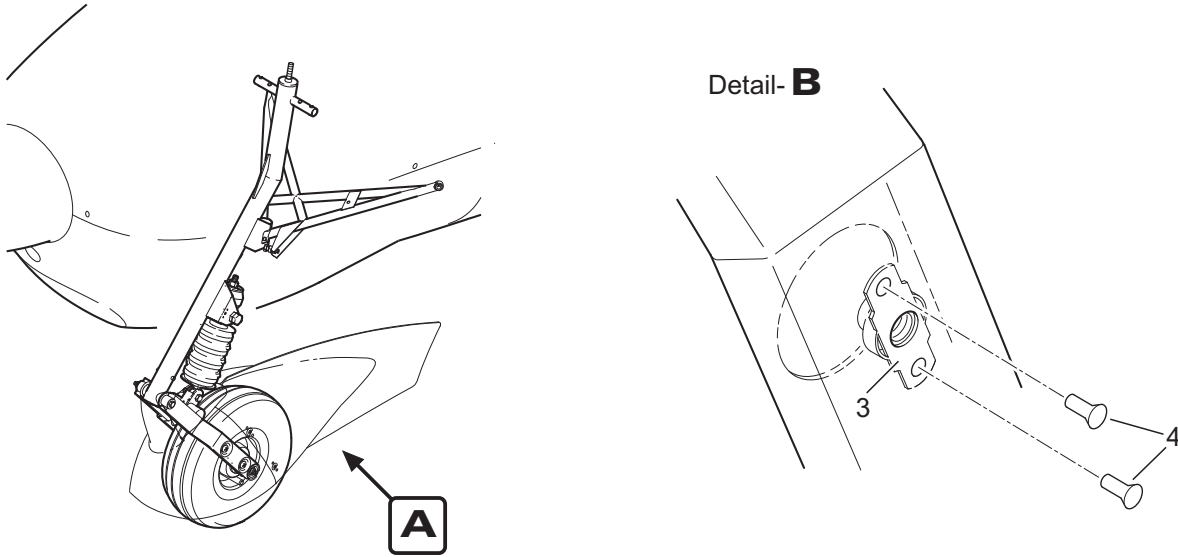
NOSE GEAR



Nose Gear - General
Figure 1

Fig. Item	QTY	Part Number	Nomenclature	Effectivity
1			Nose Gear - General	
	1		Nose Gear Fairing Installation (refer to 32-20-00, figure 2A for details)	"High Speed"
	-1		Nose Gear Fairing Installation (refer to 32-20-00, figure 2B for details)	"Soft Field"
	2		Nose Gear Strut Installation (refer to 32-20-00, figure 3 for details)	
	3		Nose Gear Fork/Damper Installation (refer to 32-20-00, figure 4 for details)	
	4		Damper Assembly (refer to 32-20-00, figure 5 for details)	
	5		Nose Gear Wheel Installation (refer to 32-20-00, figure 6 for details)	

- Item not illustrated



EFFECTIVITY

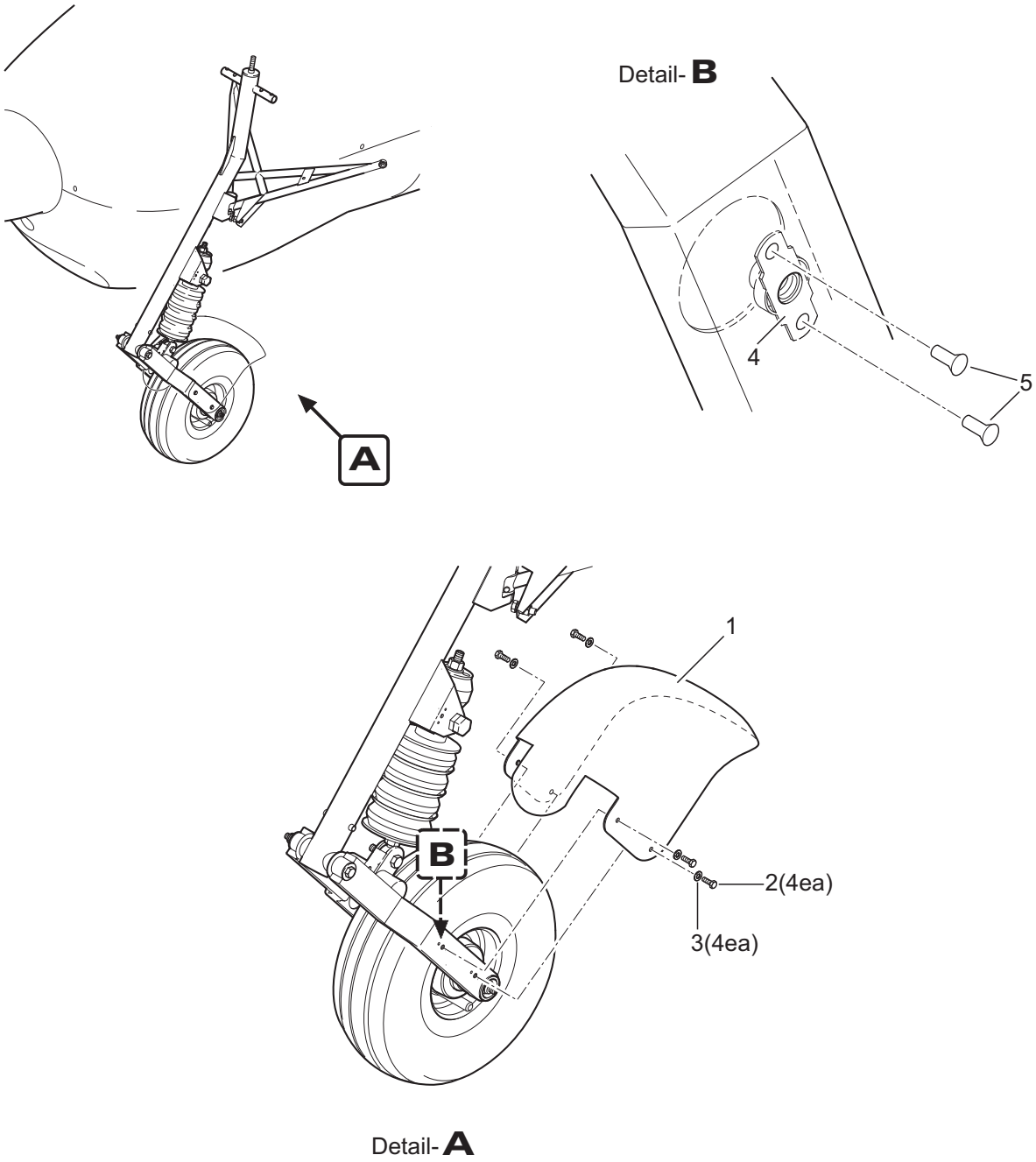
Aircraft equipped with nose gear fairing "High Speed"

Nose Gear Fairing Installation
Figure 2A

Fig. Item	QTY	Part Number	Nomenclature	Effectivity
2A			Nose Gear Fairing Installation	"High Speed"
1	1	AT01-5160-007-070	nose gear fairing "High Speed" forepart	1)
2	1	AT01-5160-008-070	nose gear fairing "High Speed" rear part	1)
3	4	18029679M6	rivet nut (LN 29679 M6)	
4	8	1807337_3,2x6 ES/ES	rivet (DIN 7337 3,2x6)	
<u>Option A: Wheel fairing installation with steel washers</u>				steel washers
5	2	1800913_M06x25	threaded pin (DIN 913 M6x25)	
6	2	1800913_M06x30	threaded pin (DIN 913 M6x30)	
7	4	1800985_M6	locknut (DIN 985 M6)	
8	4	1809021_6,4	washer (DIN 9021 6,4x18)	
9	-	-	-	
<u>Option B: Wheel fairing installation with polyamide washers</u>				PA washers
5	2	1800913_M06x30	threaded pin (DIN 913 M6x30)	
6	2	1800913_M06x35	threaded pin (DIN 913 M6x35)	
7	4	1800985_M6	locknut (DIN 985 M6)	
8	4	1809021_6,4_PA	washer (DIN 9021 6,4x18 polyamide)	
9	4	1800125_6,4	washer (DIN 125 6,4x12)	
<u>Service Kits & Tools</u>				
		AT01-5160-009-096	nose wheel fairing "High Speed" (incl. front & rear part & mounting material)	1)

1) The old version of the nose gear fairing is no longer available and replaced by the parts shown on this page. Refer to SI-AT01-017, rev. A.02 or later, for more detailed information.

- Item not illustrated



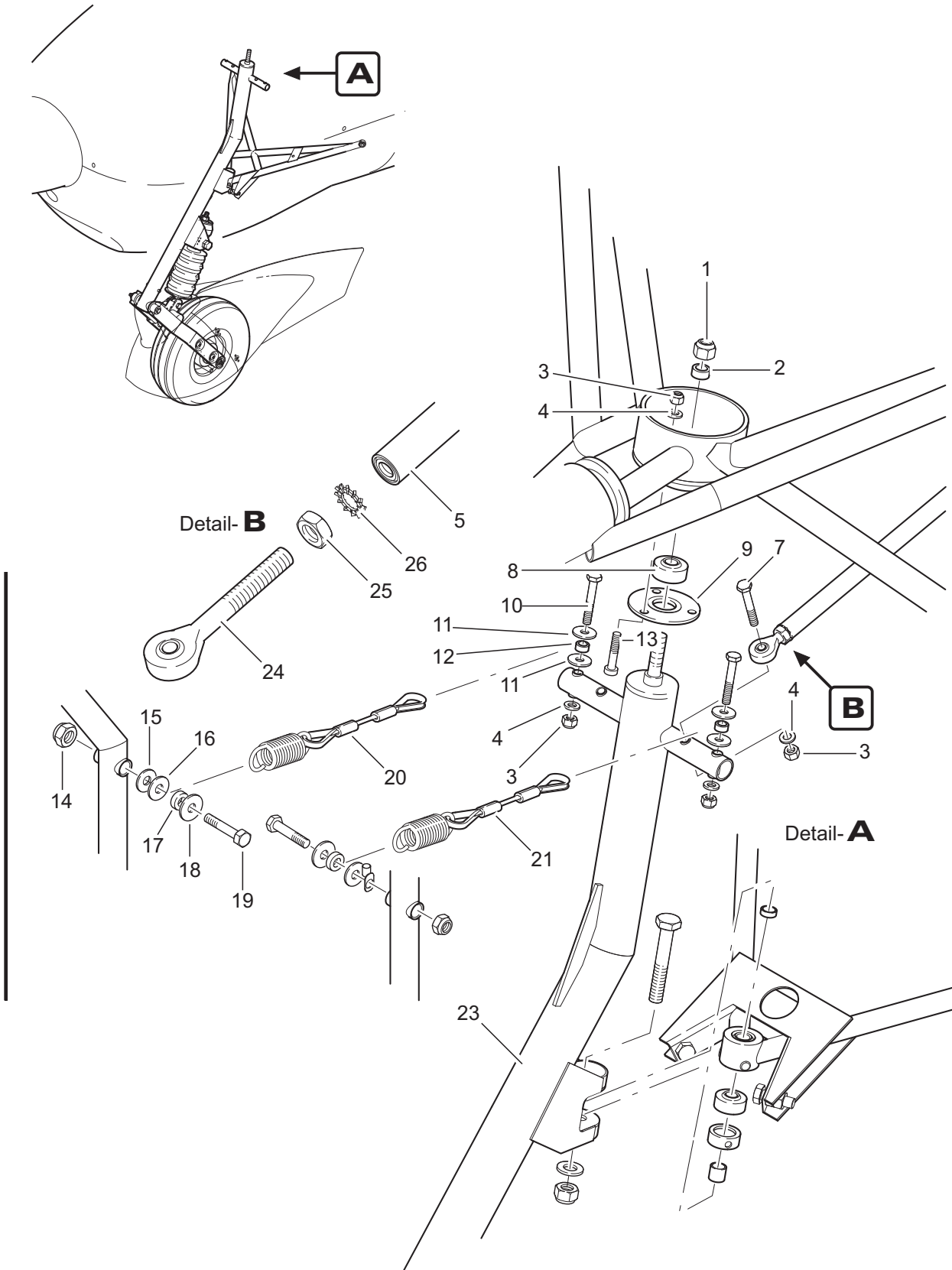
EFFECTIVITY

Aircraft equipped with nose gear fairing "Soft Field"

Nose Gear Fairing Installation
Figure 2B

Fig. Item	QTY	Part Number	Nomenclature	Effectivity
2B			Nose Gear Fairing Installation	"Soft Field"
1	1	AT01-5160-006-070	nose gear fairing "Soft Field"	
2	4	1807380_6x20 ULF	bolt (ISO 7380 M6x20 ULF)	
3	4	1809021_6,4_PA	washer (DIN 9021 6,4x18 polyamide)	
4	4	18029679M6	rivet nut (LN 29679 M6)	
5	8	1807337_3,2x6 ES/ES	rivet (DIN 7337 3,2x6)	
<u>Service Kits & Tools</u>				
		AT01-5160-006-096	nose gear fairing "Soft Field" (incl. mounting material)	

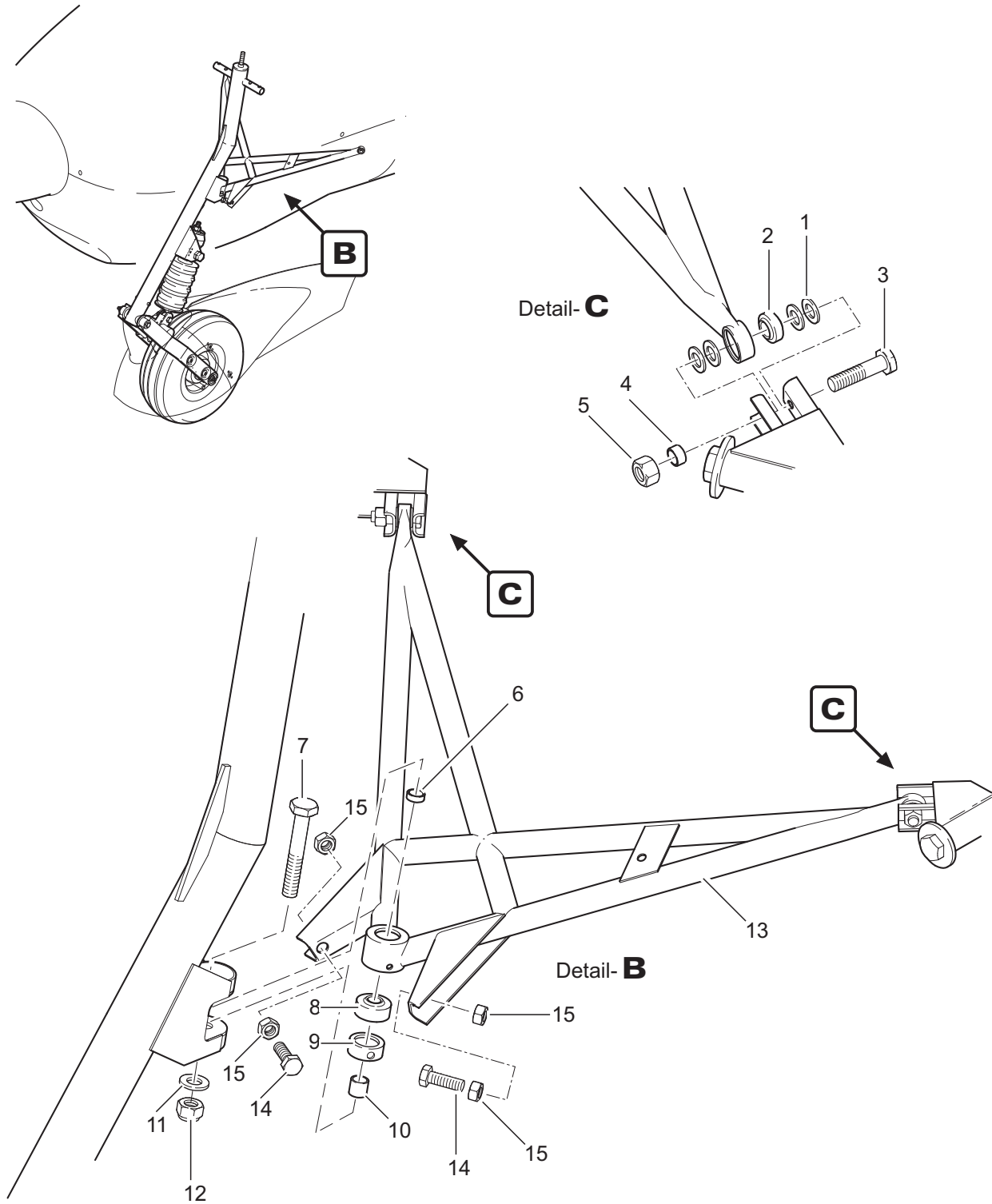
- Item not illustrated



Nose Gear Strut Installation
Figure 3 (1)

Fig. Item	QTY	Part Number	Nomenclature	Effectivity
3 (1)			Nose Gear Strut Installation	
1	1	1800985_M10	locknut (DIN 985 M10)	
2	1	AT01-5110-120	spacer sleeve (upper bearing)	
3	7	1800985_M6	locknut (DIN 985 M6)	
4	7	1800125_6,4	washer (DIN 125 6,4x12)	
5	1	AT01-5120-002	handlebar LH	
-6	1	AT01-5120-004	handlebar RH	
7	2	1809037_06040	bolt (LN 9037 M6x40)	
8	1	AT01-1850-103	bearing	
9	1	AT01-5110-105	bearing ring	
10	2	1809037_06040	bolt (LN 9037 M6x40)	
11	4	1809021_6,4	washer (DIN 9021 6,4x18)	
12	2	AT01-4510-125	spacer sleeve	
13	3	1806912_M6x30	bolt (DIN 6912 M6x30)	
14	2	1800985_M8	locknut (DIN 985 M8)	
15	1	1800125_8,4	washer (DIN 125 8,4x16)	
16	2	1809021_8,4	washer (DIN 9021 8,4x24)	
17	2	AT01-5120-102	spacer sleeve	
18	2	AT01-5120-106	washer	
19	2	1800931_M8x40	bolt (DIN 931 M8x40)	
20	1	AT01-5120-105-096	centering cable RH (incl. centering spring)	
21	1	AT01-5120-104-096	centering cable LH (incl. centering spring)	
22	-	-	-	
23	1	AT01-5110-001	nose gear leg	
24	2	AT01-1850-120	swivel head	
25	2	1800936_M8	nut (DIN 936 M8)	
26	2	1806797_8,4	tooth washer (DIN 6797 8,4x15)	

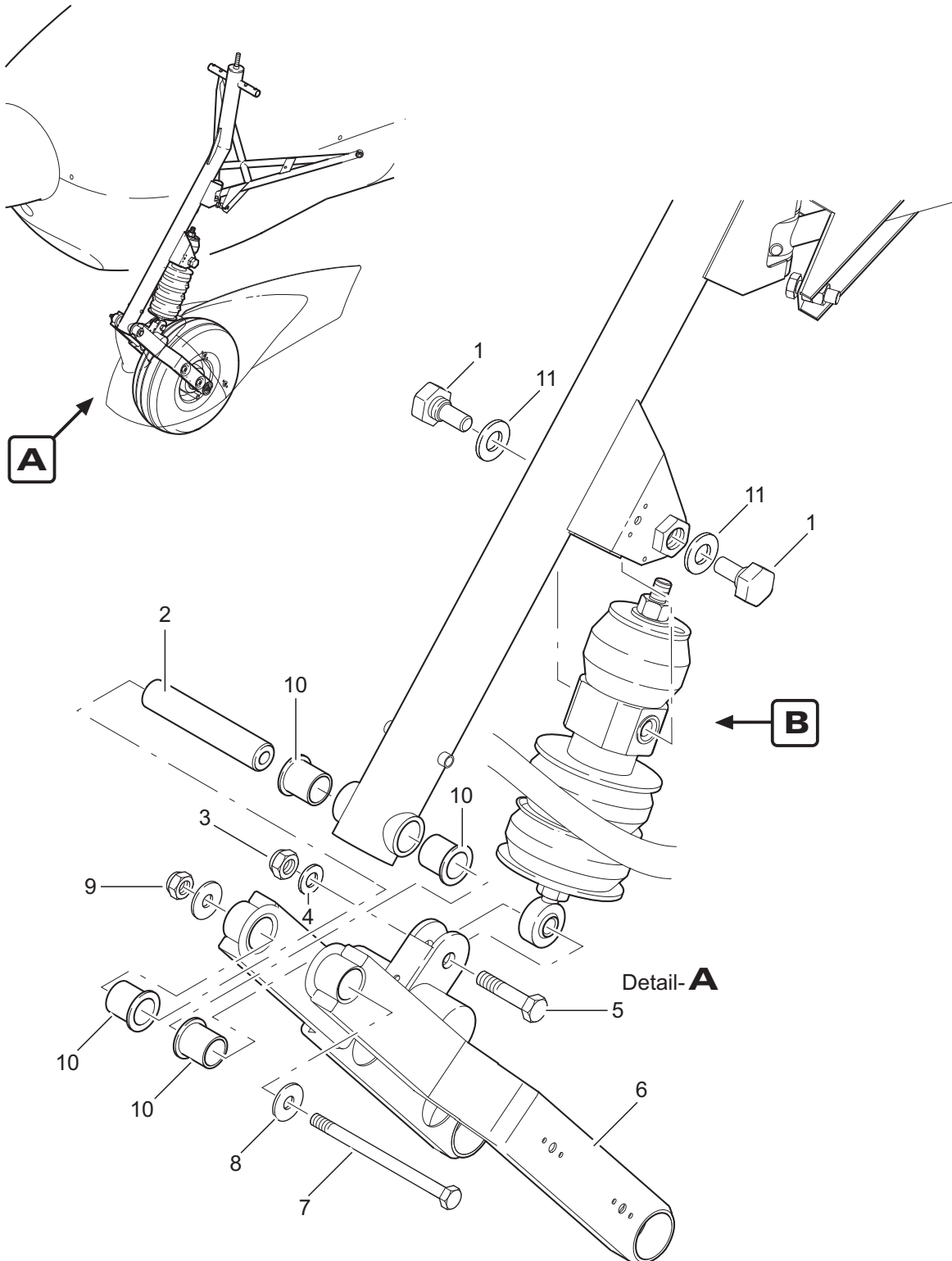
- Item not illustrated



Nose Gear Strut Installation
Figure 3 (2)

Fig. Item	QTY	Part Number	Nomenclature	Effectivity
3 (2)			Nose Gear Strut Installation	
1	8	1800988_8/1	adjusting washer (DIN 988 8x14x1)	
2	2	AT01-1850-104	bearing	
3	2	1809037_08032	bolt (DIN 9037 M8x32)	
4	2	AT01-4510-127	spacer sleeve	
5	2	1800985_M8	locknut (DIN 985 M8)	
6	1	AT01-5130-101	upper bearing sleeve	
7	1	1800931_M10x50	bolt (DIN 931 M10x50)	
8	1	AT01-1850-103	bearing	
9	1	AT01-5130-103	bearing ring + 3 rivets (DIN 7337 4,0x6 ES/ES)	
10	1	AT01-5130-100	lower bearing sleeve	
11	1	1800125_10,5	washer (DIN 125 10,5x20)	
12	1	1800985_M10	locknut (DIN 985 M10)	
13	1	AT01-5130-001	nose gear leg support brace	
14	2	1800933_M8x25	bolt (DIN 933 M8x25)	
15	4	1800934_M8	nut (DIN 934 M8)	

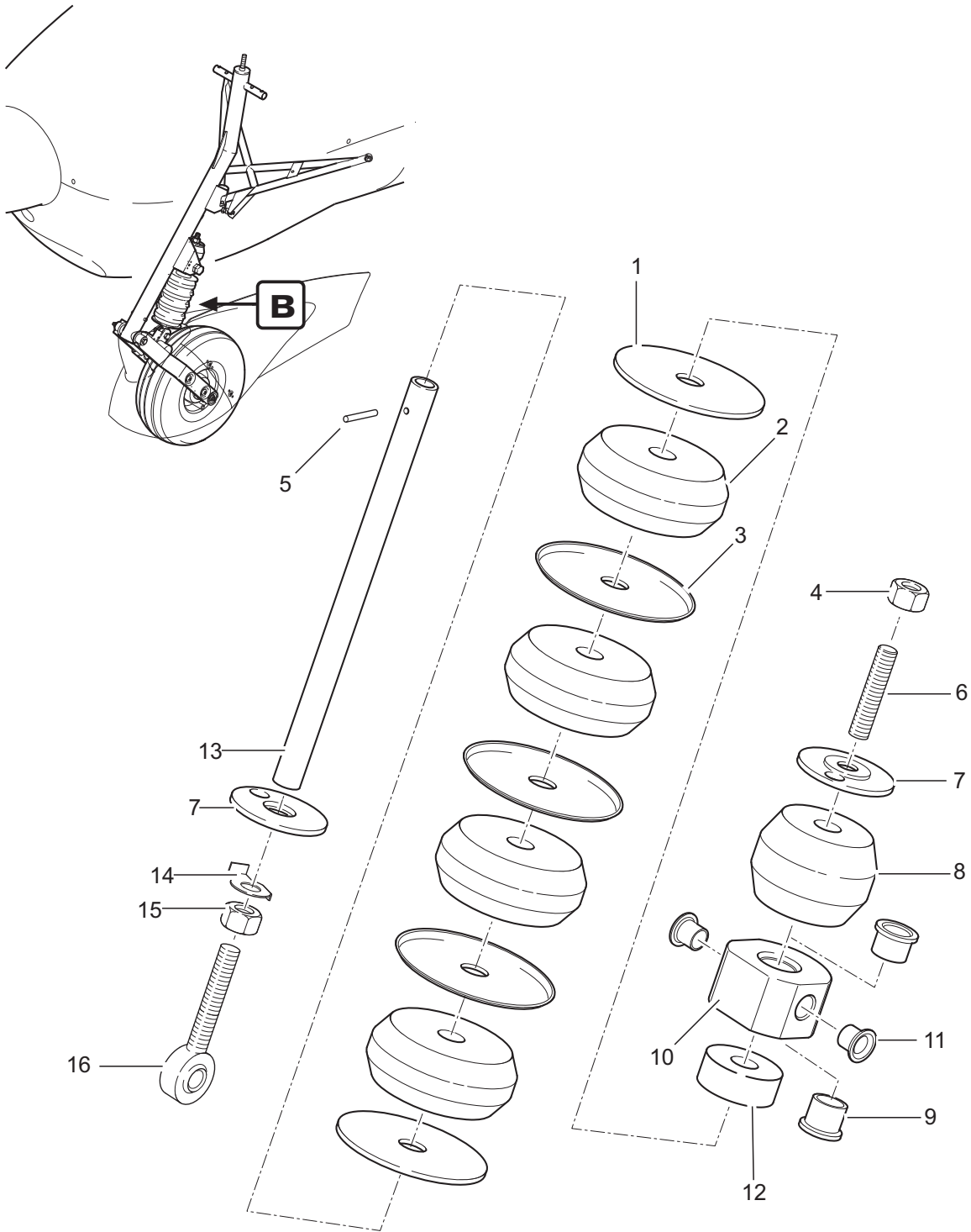
- Item not illustrated



Nose Gear Fork / Damper Installation
Figure 4

Fig. Item	QTY	Part Number	Nomenclature	Effectivity
4			Nose Gear Fork / Damper Installation	
1	2	AT01-5110-111	bolt	
2	1	AT01-5110-102	bearing shaft	
3	1	1800985_M10	locknut (DIN 985 M10)	
4	1	1800125_10,5	washer (DIN 125 10,5x20)	
5	1	1809037_10035	bolt (LN 9037 M10x35)	101 - 227
5	1	1809037_10040	bolt (LN 9037 M10x40)	228 - 299
6	1	AT01-5110-002	nose gear fork	
7	1	1800931_M8x110	bolt (DIN 931 M8x110)	
8	2	1809021_8,4	washer (DIN 9021 8,4x24)	
9	1	1800985_M8	locknut (DIN 985 M8)	
10	4	1850022	collar bushing	
11	2	1800125_15	washer (DIN 125 15x28)	

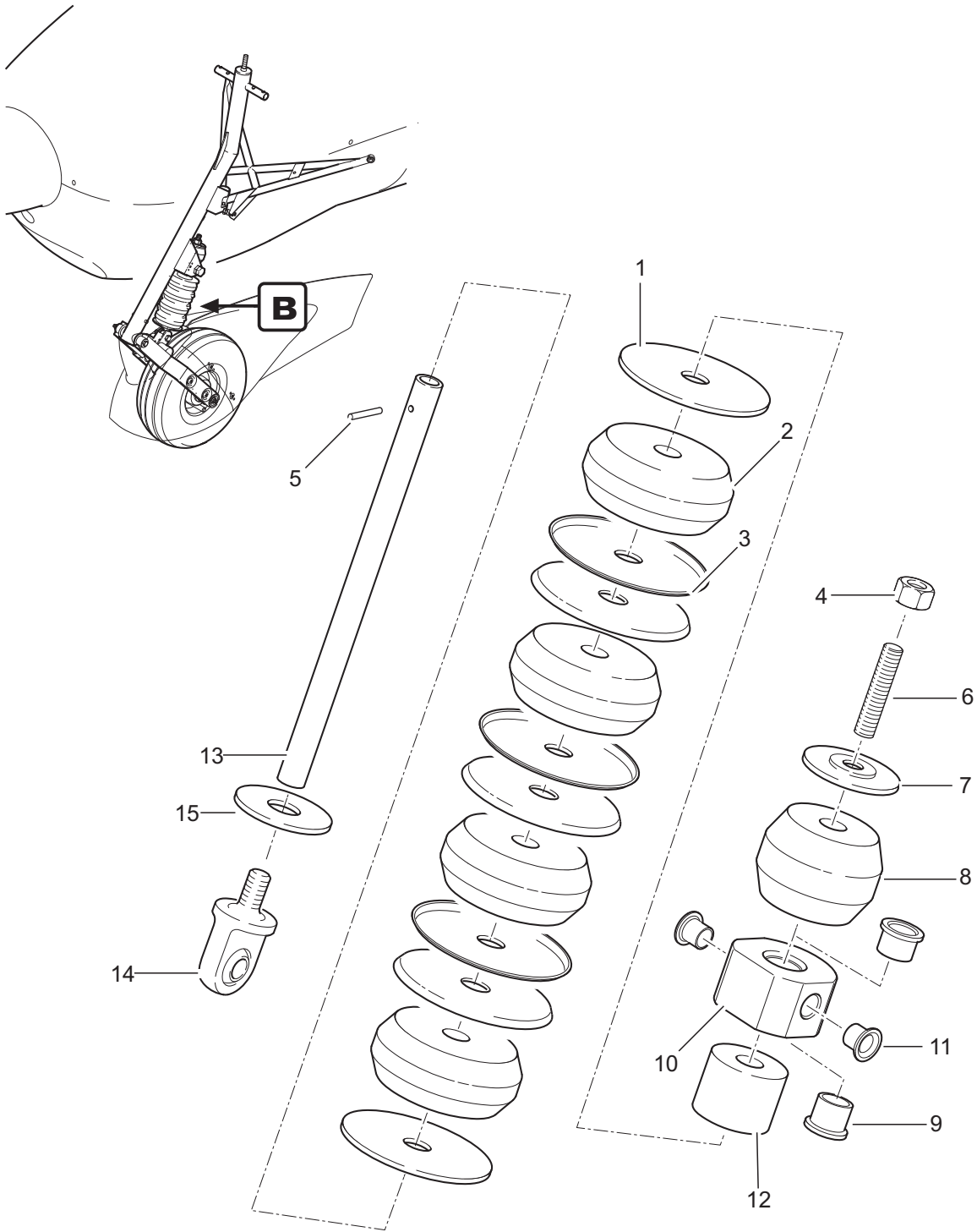
- Item not illustrated



Detail- **B**

Fig. Item	QTY	Part Number	Nomenclature	Effectivity
5A			Damper Assembly	101 - 196
	1	2	AT01-5140-102	damper plate
	2	4	AT01-5140-104	main rubber element
	3	6	AT01-5140-103	plate
	4	1	1800985_M10	locknut (DIN 985 M10)
	5	1	1801473 FST 3x12	grooved pin (DIN 1473 3x12)
	6	1	AT01-5140-106	threaded insert
	7	2	AT01-5140-107	pressure disc
	8	1	AT01-5140-105	rebound rubber element
	9	2	1850033	collar bushing
	10	1	AT01-5140-108	glide element
	11	2	1850013	collar bushing
	12	1	AT01-5140-109	spacer
	13	1	AT01-5140-101	guide tube
	14	1	1800463_10,5	lock washer (DIN 463 10,5)
	15	1	1800934_M10	nut (DIN 934 M10)
	16	1	AT01-1850-122	swivel head (SMXCP 10)

- Item not illustrated



Detail- **B**

EFFECTIVITY

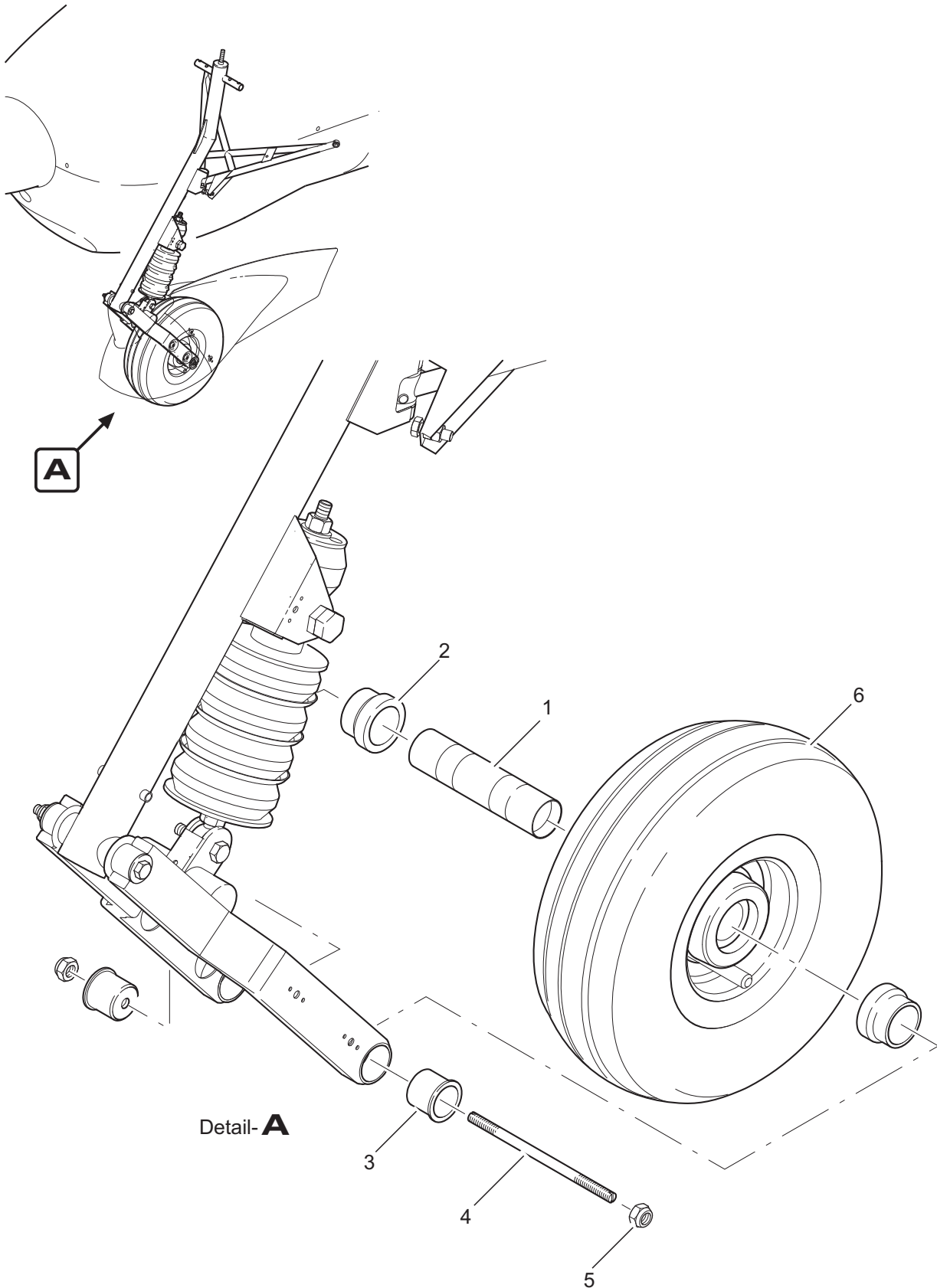
197 - 299 or 1)

Damper Assembly
Figure 5B

Fig. Item	QTY	Part Number	Nomenclature	Effectivity
5B			Damper Assembly	197 - 299 or 1)
1	2	AT01-5140-102	damper plate	
2	4	AT01-5140-104	main rubber element	
3	6	AT01-5140-103	plate	
4	1	1800985_M10	locknut (DIN 985 M10)	
5	1	1801473 FST 3x12	grooved pin (DIN 1473 3x12)	
6	1	AT01-5140-106	threaded insert	
7	1	AT01-5140-113	pressure disc	
8	1	AT01-5140-105	rebound rubber element	
9	2	1850033	collar bushing	
10	1	AT01-5140-108	glide element	
11	2	1850013	collar bushing	
12	1	AT01-5140-109	spacer	
13	1	AT01-5140-101	guide tube	
14	1	AT01-5140-005	swivel head	
15	1	AT01-5140-112	pressure disc	

1) SB-AT01-013 is accomplished.

- Item not illustrated



Nose Gear Wheel Installation
Figure 6

Fig. Item	QTY	Part Number	Nomenclature	Effectivity
6			Nose Gear Wheel Installation	
	1	AT01-5150-100	nose landing gear axle	
	2	AT01-5150-102	spacer sleeve	
	2	AT01-5150-101	bearing race	
		AT01-5150-131	bearing race (optional)	
	4	AT01-5150-103	axle bolt	
	5	1800980_M08_10	locknut (DIN 980 M8)	
	6	AT01-5150-003	nose wheel Cleveland (incl. rim and tire)	Cleveland
	6	AT01-5150-004	nose wheel Grove (incl. rim and tire)	Grove

- Item not illustrated

WHEELS AND BRAKES

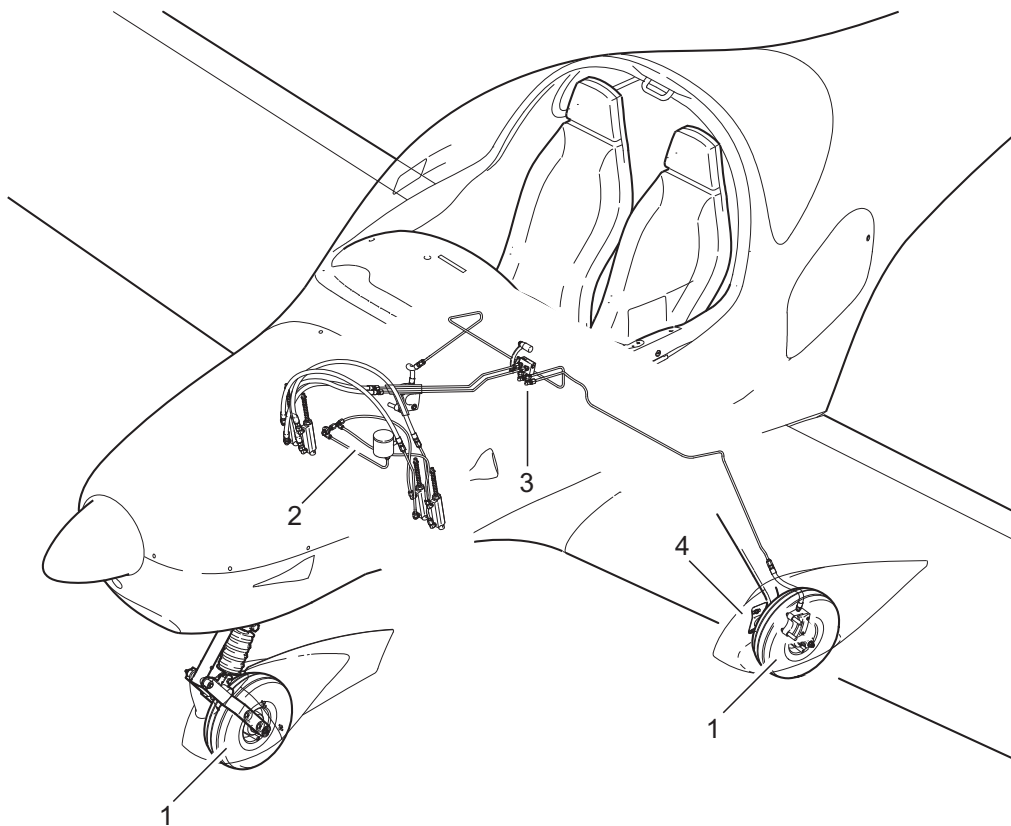
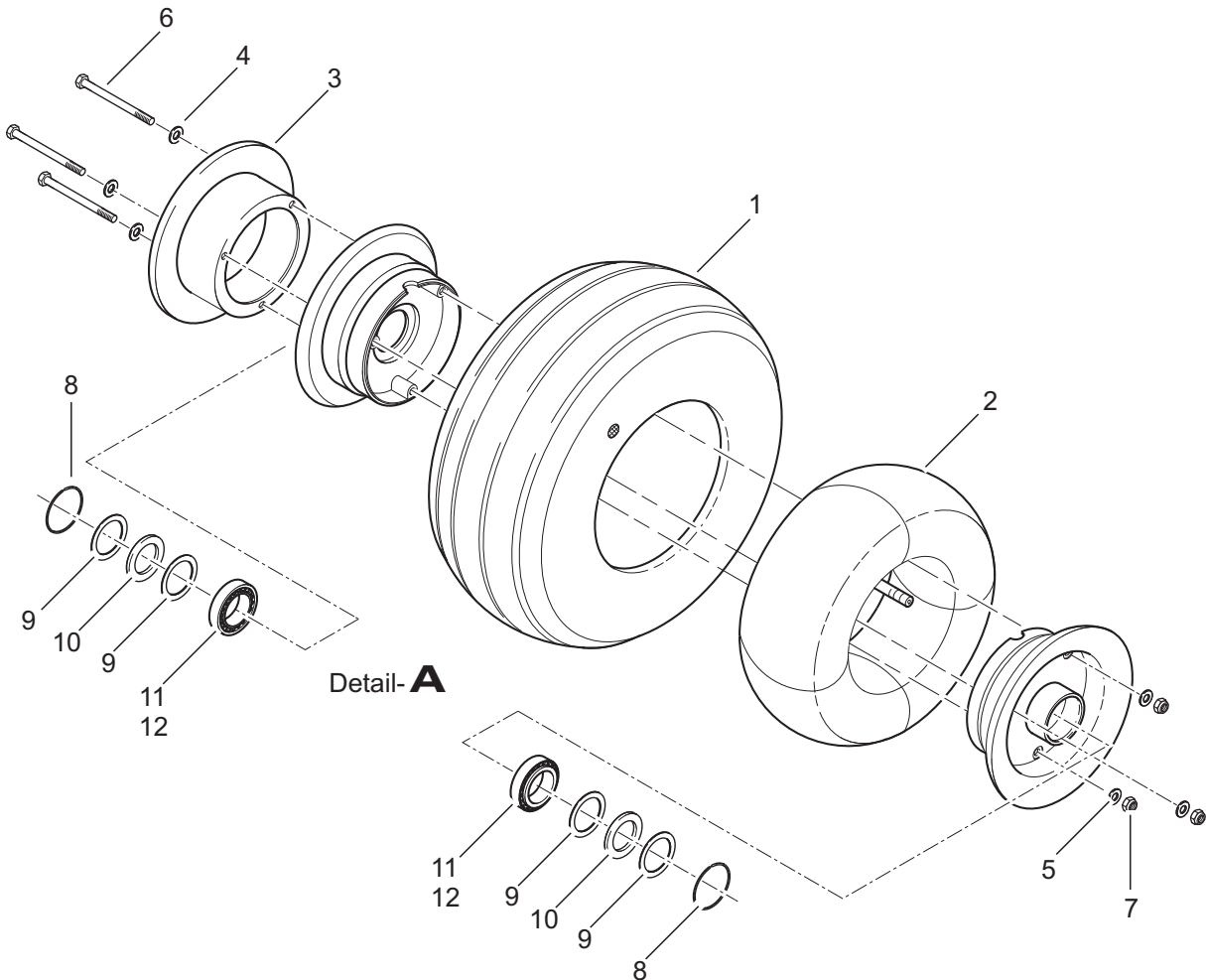
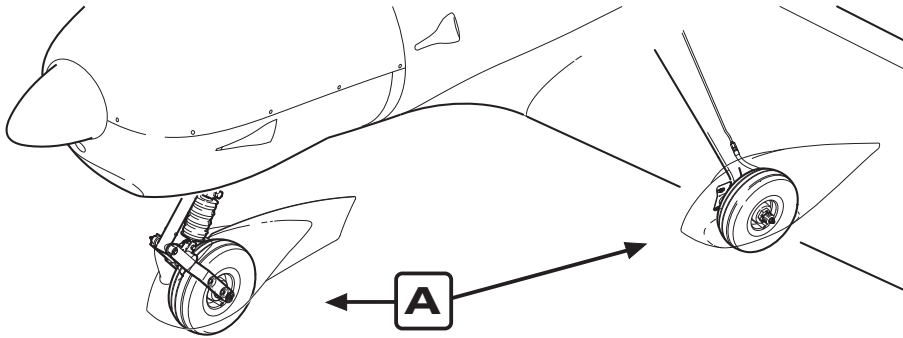


Fig. Item	QTY	Part Number	Nomenclature	Effectivity
1			Wheels & Brakes - General	
	1		Wheel Assembly (refer to 32-40-00, figure 2 for details)	
	2		Brake System Installation - Front (refer to 32-40-00, figure 3 for details)	
	3		Brake System Installation - Rear (refer to 32-40-00, figure 4 for details)	
	4		Brake Caliper Assembly (refer to 32-40-00, figure 5 for details)	

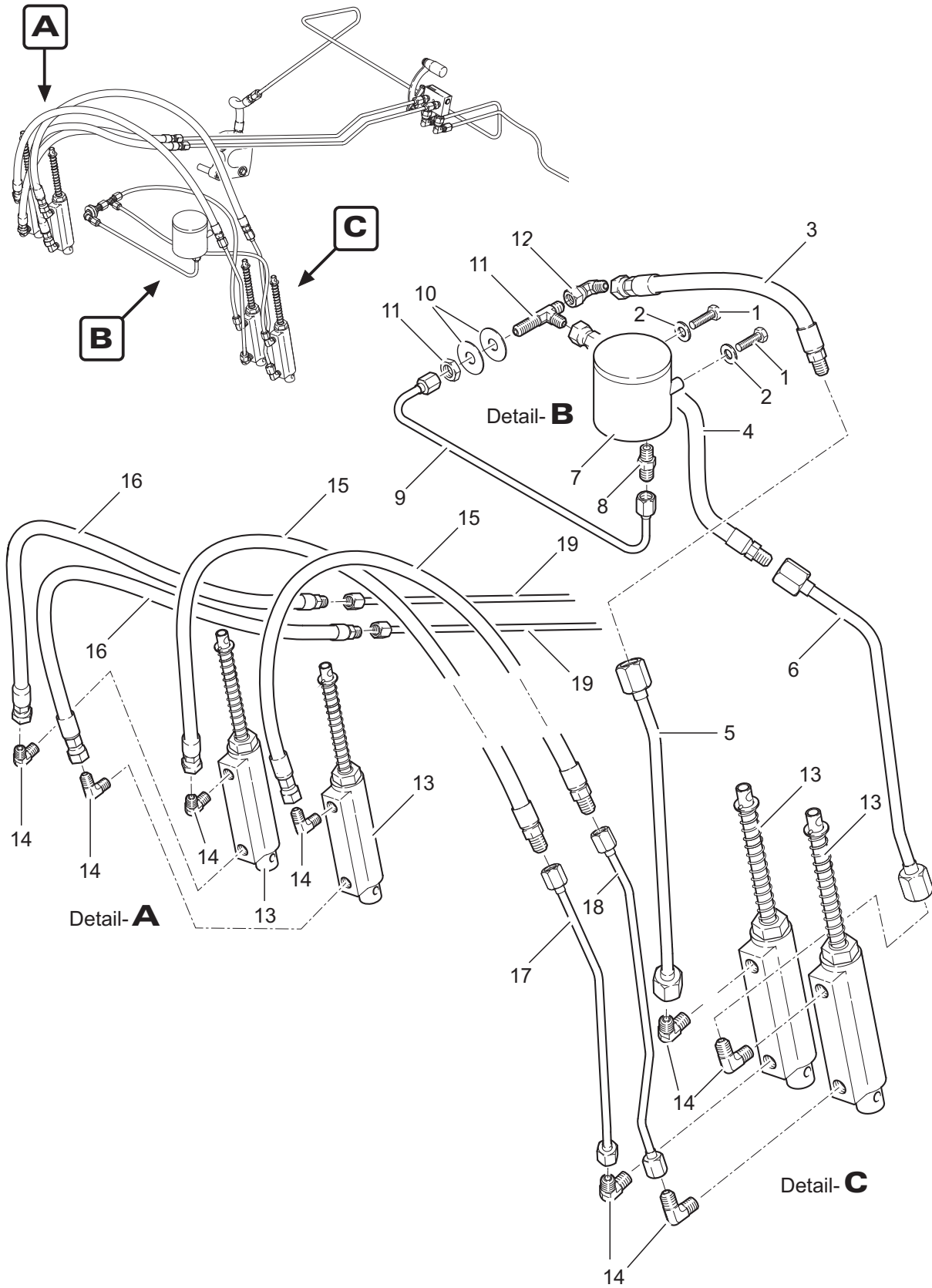
- Item not illustrated



Wheel Assembly
Figure 2

Fig. Item	QTY	Part Number	Nomenclature	Effectivity
2			Wheel Assembly	
1	1	AT01-4590-102	tire Michelin	Michelin
		AT01-4590-103	tire Goodyear	Goodyear
2	1	AT01-4590-112	tube Michelin (use with Michelin tires only)	Michelin
		AT01-4590-113	tube Goodyear (use with Goodyear tires only)	Goodyear
		<u>Cleveland wheels</u>		Cleveland
3	1	AT01-5020-100	brake disc	main wheel
4	3	AT01-5020-357	washer (AN960-416L)	nose wheel
5	3	AT01-5020-357	washer (AN960-416L)	
6	3	AT01-5020-355	bolt (AN4-22A)	
7	3	AT01-5020-356	nut (MS21042-4)	
8	2	155-00200	retaining ring	
9	4	153-00800	ring grease seal	
10	2	154-00600	felt grease seal	
11	2	214-00300	cup bearing	main wheel
		AT01-5150-200	cup bearing	nose wheel
12	2	214-00400	cone bearing	main wheel
		AT01-5150-201	cone bearing	nose wheel
		<u>Grove wheels</u>		Grove
3	1	AT01-5020-302	brake disc	main wheel
4	3	AT01-5020-357	washer (AN960-416L)	nose wheel
5	3	AT01-5020-366	washer (AN960-416)	main wheel
		AT01-5020-357	washer (AN960-416L)	nose wheel
6	3	AT01-5020-365	bolt (AN4-23A)	main wheel
		AT01-5020-355	bolt (AN4-22A)	nose wheel
7	3	AT01-5020-370	nut (MS21044-N4)	
8	2	AT01-5020-362	retaining ring	
9	4	AT01-5020-363	ring grease seal	
10	2	AT01-5020-364	felt grease seal	
11	2	AT01-5150-200	cup bearing	
12	2	AT01-5150-201	cone bearing	
		<u>Service Kits & Tools</u>		
		AT01-5040-001	main wheel Cleveland (incl. rim, brake disc, tire & tube)	Cleveland
		AT01-5150-003	nose wheel Cleveland (incl. rim, tire & tube)	Cleveland
		AT01-5040-003	main wheel Grove (incl. rim, brake disc, tire & tube)	Grove
		AT01-5150-004	nose wheel Grove (incl. rim, tire & tube)	Grove

- Item not illustrated

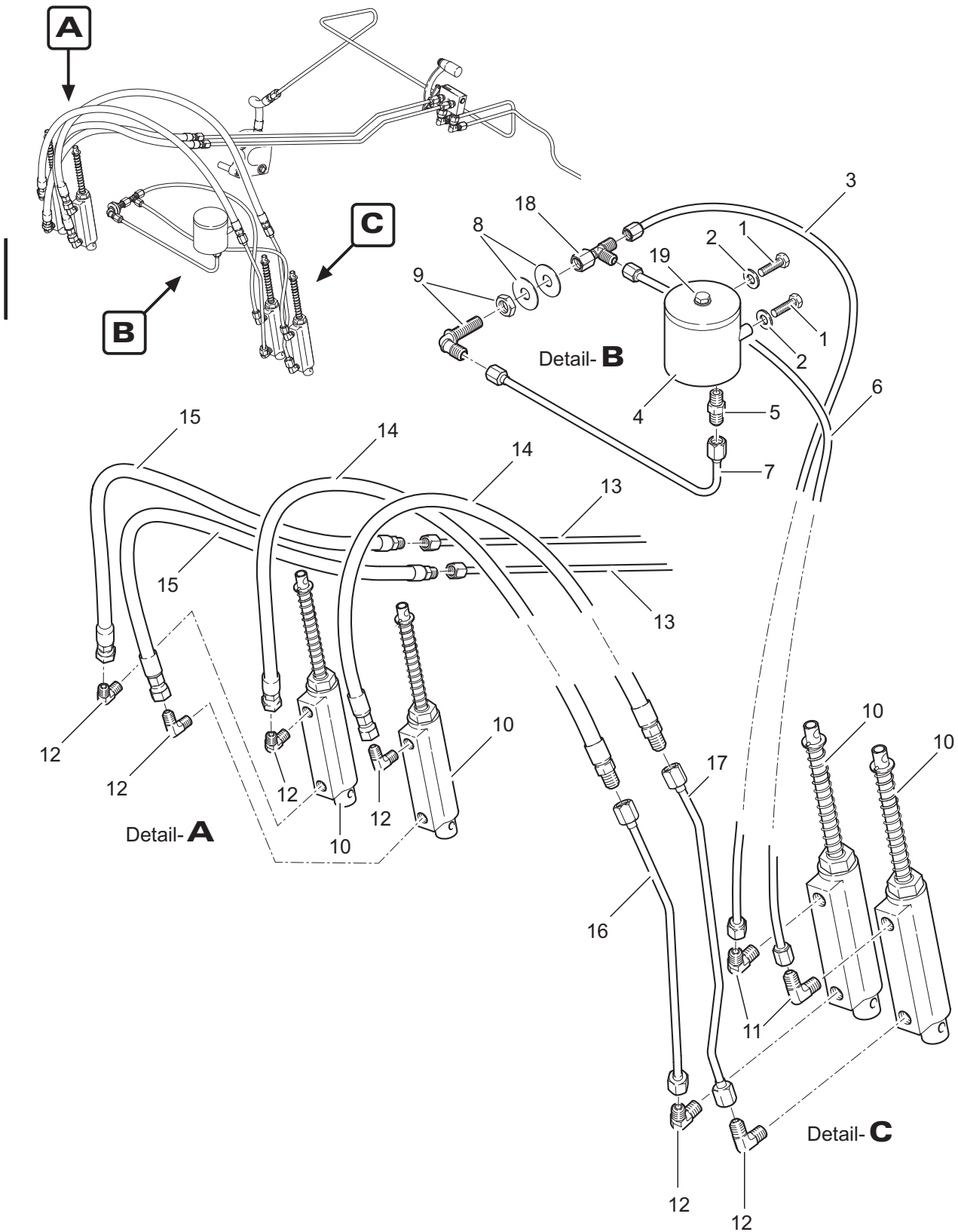


EFFECTIVITY
 100 - 102

Brake System Installation - Front
 Figure 3A

Fig. Item	QTY	Part Number	Nomenclature	Effectivity
3A			Brake System Installation - Front	100 - 102
	1	2	1800933_M6x20	bolt (DIN 933 M6x20)
	2	2	1809021_6,4	washer (DIN 9021 6,4x18)
	3	1	AT01-5020-005	brake hose RH
	4	1	AT01-5020-006	brake hose LH
	5	1	AT01-5020-007	brake pipe RH
	6	1	AT01-5020-008	brake pipe LH
	7	1	AT01-5020-102	brake fluid reservoir
	8	1	AT01-4520-235	fitting
	9	1	AT01-5020-002	brake pipe
	10	2	1809022_12x35	washer (DIN 9022 12x35)
	11	1	AT01-4520-225	bulkhead T-fitting
	12	1	AT01-4520-160	elbow
	13	4	AT01-6040-106	master brake cylinder Cleveland
	14	8	AT01-4520-204	elbow
	15	2	AT01-5020-012	brake hose
	16	2	AT01-5020-013	brake hose
	17	1	AT01-5020-011	brake pipe RH
	18	1	AT01-5020-009	brake pipe LH
	19	2	AT01-5020-015	brake pipe

- Item not illustrated



EFFECTIVITY

103 - 299

Brake System Installation - Front
Figure 3B

32-40-00

Fig. Item	QTY	Part Number	Nomenclature	Effectivity
3B			Brake System Installation - Front	103 - 299
1	2	1800933_M6x20	bolt (DIN 933 M6x20)	
2	2	1809021_6,4	washer (DIN 9021 6,4x18)	
3	1	AT01-4520-420	PTFE hose	
4	1	AT01-5020-102	brake fluid reservoir	
5	1	AT01-4520-235	fitting	
6	1	AT01-4520-420	PTFE hose	
7	1	AT01-5020-002	brake line	
8	2	1809022_12x35	washer (DIN 9022 12x35)	
9	1	AT01-4520-208	bulkhead elbow	
10	4	AT01-6040-106	brake master cylinder Cleveland	103 - 135
- 10	4	AT01-6040-138	brake master cylinder Matco (optional)	136 - 299
11	2	AT01-4520-207	elbow	
12	6	AT01-4520-204	elbow	
13	2	AT01-5020-015	brake line	
14	2	AT01-5020-012	brake hose	
15	2	AT01-5020-013	brake hose	
16	1	AT01-5020-011	brake line RH	
17	1	AT01-5020-009	brake line LH	
18	1	AT01-4520-232	T-fitting	
19	1	AT01-5020-623	sealing washer	

- Item not illustrated

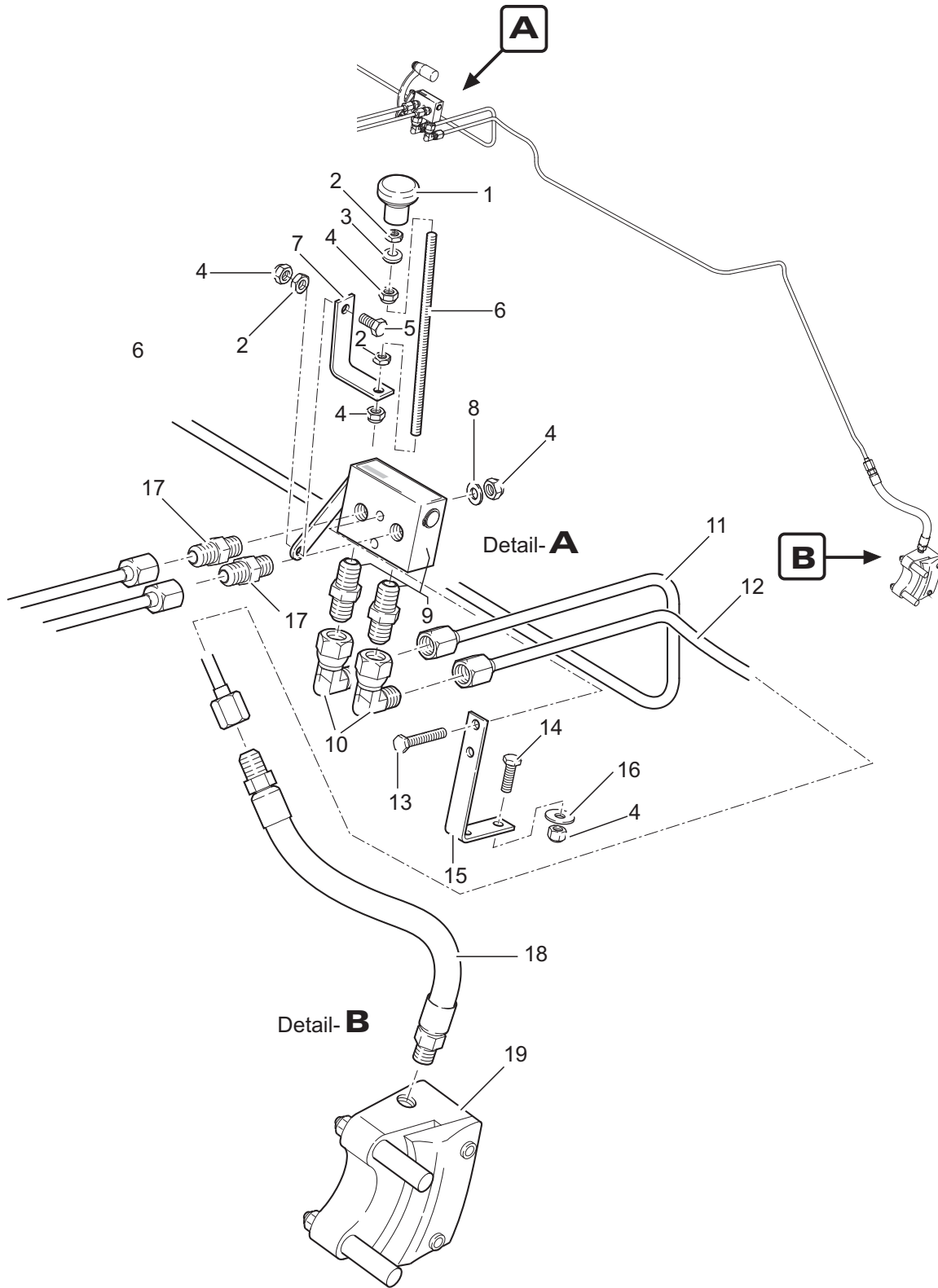


Fig. Item	QTY	Part Number	Nomenclature	Effectivity
4A			Brake System Installation - Rear	101 - 122
1	1	AT01-1860-611	knob	
2	3	1800439_M5	nut (DIN 439 M5)	
3	1	AT01-4530-230	cable bushing	
4	7	1800985_M5	locknut (DIN 985 M5)	
5	1	1800933_M5x14	bolt (DIN 933 M5x14)	
6	1	AT01-5020-105	pull rod	
7	1	AT01-5020-106 A.01	fixing bracket	100 - 103
	1	AT01-5020-106 A.02	fixing bracket	104 - 122
8	2	1800125_5,3	washer (DIN 125 5,3x10)	
9	1	AT01-5020-020	parking brake valve (incl. items 10 & 17)	
10	2	AT01-4520-160	elbow	
11	1	AT01-5020-017	brake pipe RH	
12	1	AT01-5020-016	brake pipe LH	
13	2	1800933_M5x30	bolt (DIN 933 M5x30)	
14	2	1800933_M5x16	bolt (DIN 933 M5x16)	
15	1	AT01-5020-103	fixing bracket	
16	2	1809021_5,3	washer (DIN 9021 5,3x15)	
17	2	AT01-4520-235	fitting	
18	2	AT01-5020-022	brake hose	
19	2	AT01-5020-004	brake caliper Cleveland	

- Item not illustrated

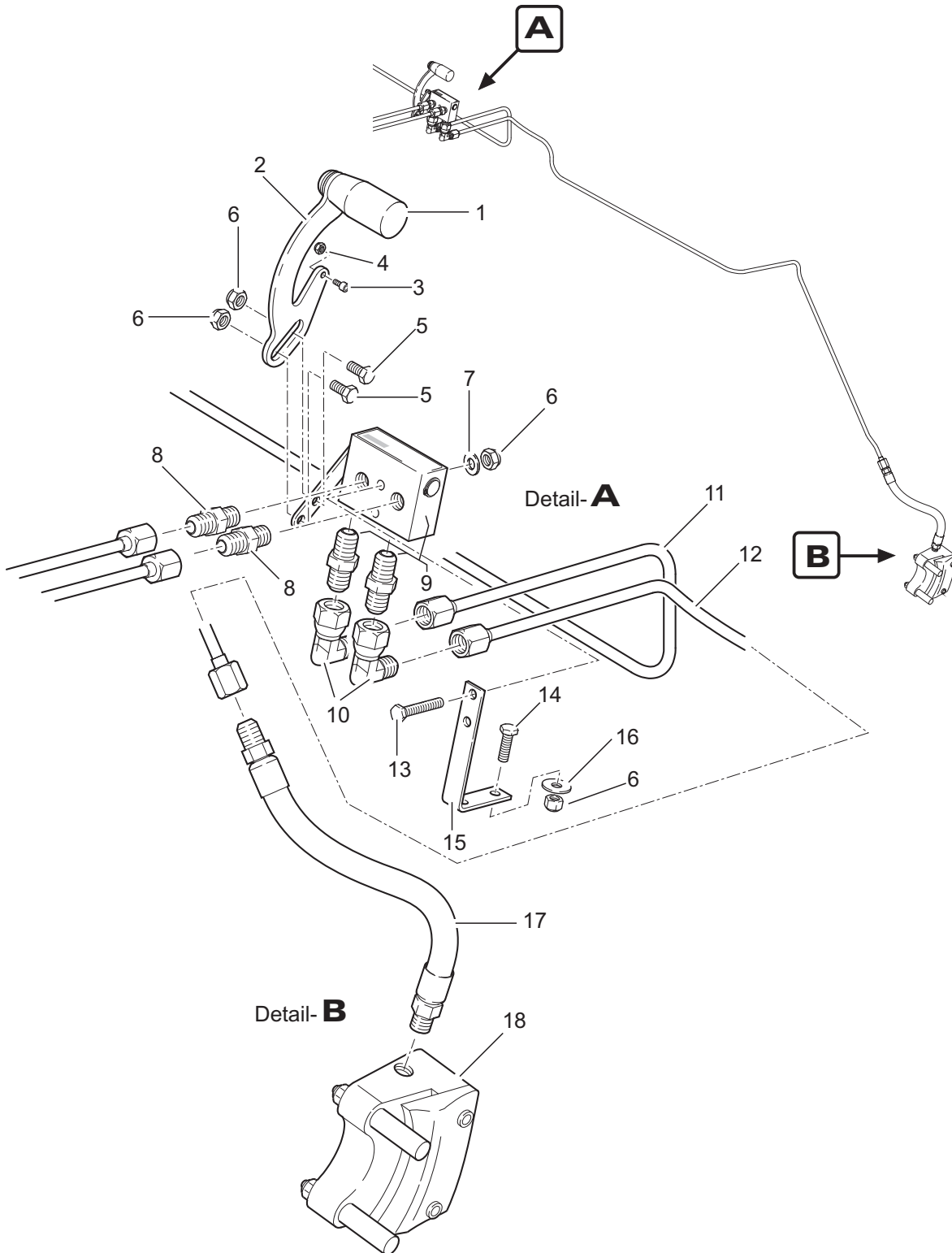


Fig. Item	QTY	Part Number	Nomenclature	Effectivity
4B			Brake System Installation - Rear	123 - 299
1	1	AT01-1860-612	knob	
2	1	AT01-5020-106	lever	
3	1	AT01-1860-111	plunger M4x9	
4	1	1800985_M4	locknut (DIN 985 M4)	
5	2	1800933_M5x12	bolt (DIN 933 M5x12)	
6	6	1800985_M5	locknut (DIN 985 M5)	
7	2	1800125_5,3	washer (DIN 125 5,3x10)	
8	2	AT01-4520-235	fitting	
9	1	AT01-5020-153	parking brake valve	
10	2	AT01-4520-160	elbow	
11	1	AT01-5020-017	brake line RH	
12	1	AT01-5020-016	brake line LH	
13	2	1800933_M5x30	bolt (DIN 933 M5x30)	
14	2	1800933_M5x16	bolt (DIN 933 M5x16)	
15	1	AT01-5020-103	fixing bracket	
16	2	1809021_5,3	washer (DIN 9021 5,3x15)	
17	2	AT01-5020-022	brake hose	
18	2	AT01-5020-004	brake caliper Cleveland	123 - 211
	2	AT01-5020-340	brake caliper Grove	212 - 299

- Item not illustrated

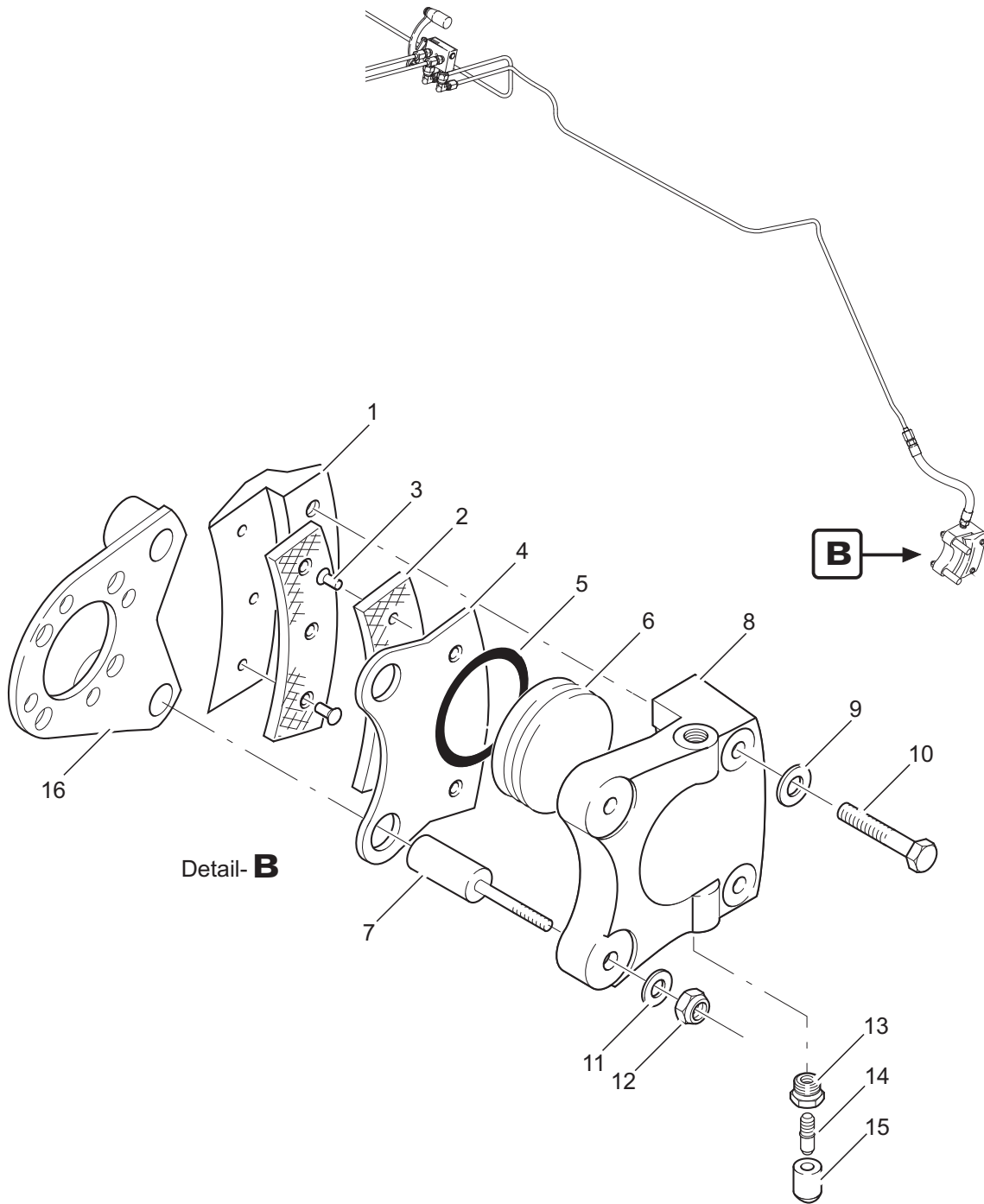


Fig. Item	QTY	Part Number	Nomenclature	Effectivity
5			Brake Caliper Assembly	
		<u>Cleveland Calipers</u>		Cleveland
1	1	AT01-5020-611	back plate	
2	2	AT01-5020-353	lining	
3	6	AT01-5020-354	rivet	
4	1	AT01-5020-610	pressure plate	
5	1	AT01-5020-600	O-ring	
6	1	AT01-5020-612	piston	
7	2	AT01-5020-601	anchor bolt	
8	1	AT01-5020-603	cylinder	
9	2	AT01-5020-604	washer	
10	2	AT01-5020-355	bolt (AN4H15A)	
11	2	AT01-5020-605	washer	
12	2	AT01-5020-356	nut anchor (MS21044-N4)	
13	1	AT01-5020-607	seat (bleeder)	
14	1	AT01-5020-608	screw (bleeder)	
15	1	AT01-5020-609	cap (bleeder)	
16	1	AT01-5020-351	torque plate LH	
- 17	1	AT01-5020-352	torque plate RH	
		<u>Grove Calipers</u>		Grove
1	1	AT01-5020-618	back plate	
2	2	AT01-5020-360	lining	
3	6	AT01-5020-361	rivet	
4	1	AT01-5020-619	pressure plate	
5	1	AT01-5020-622	O-ring	
6	1	AT01-5020-617	piston	
7	2	AT01-5020-620	torque pin	
8	1	AT01-5020-621	cylinder	
9	2	AT01-5020-366	washer	
10	2	AT01-5020-367	bolt (AN4H15A)	
11	2	AT01-5020-368	washer	
12	2	AT01-5020-369	nut anchor (MS21044-N4)	
13	1	AT01-5020-615	seat (bleeder)	
14	1	AT01-5020-615	screw (bleeder)	
15	1	AT01-5020-616	cap (bleeder)	
16	1	AT01-5020-358	torque plate LH	
- 17	1	AT01-5020-359	torque plate RH	

- Item not illustrated



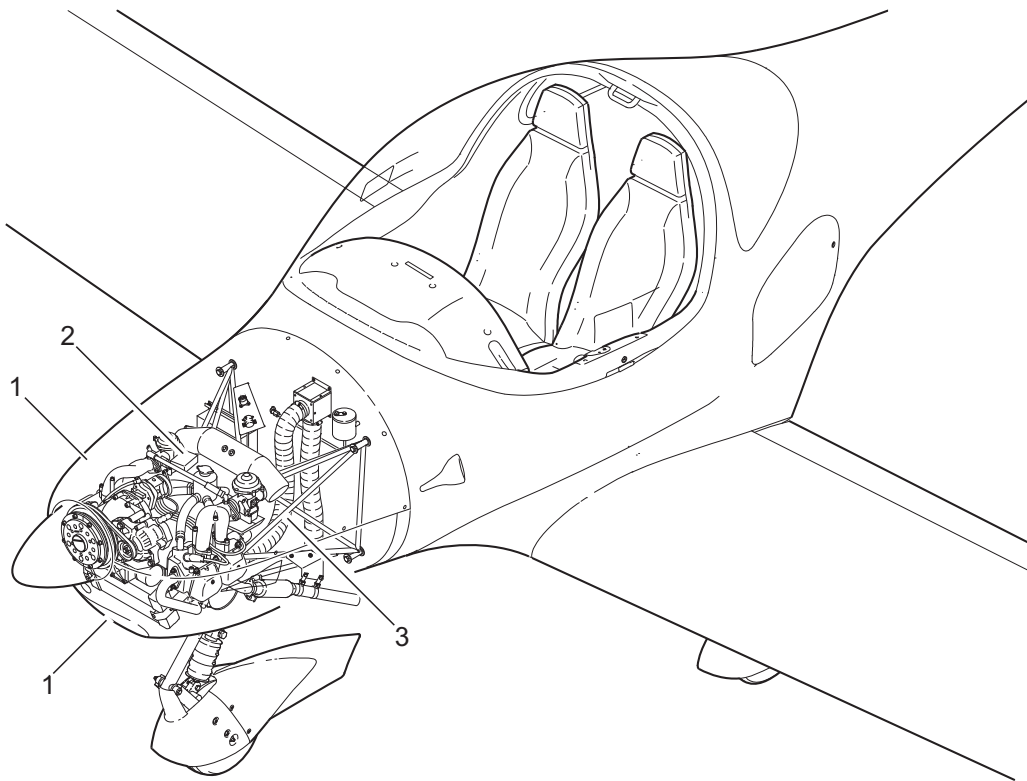
AQUILA AT01
ILLUSTRATED PARTS CATALOG

CHAPTER 71
POWER PLANT

TABLE OF CONTENTS

<u>Title</u> <u>Subject</u>	<u>Chapter</u> <u>Section</u> <u>Subject</u>	<u>Page</u>	<u>Effectivity</u>
POWER PLANT - GENERAL	71-00-00	1	
Power Plant - General	71-00-00	2	
COWLING	71-10-00	1	
Cowling / Air Intake Components	71-10-00	2	
ENGINE MOUNTS	71-20-00	1	
Engine Mount Components	71-20-00	2	
ELECTRICAL HARNESS	71-50-00	1	
Electrical Harness Components	71-50-00	2	

POWER PLANT
GENERAL



Power Plant - General
Figure 1

Fig. Item	QTY	Part Number	Nomenclature	Effectivity
1			Power Plant - General	
	1		Cowling / Air Intake Components (refer to 71-10-00, figure 1 for details)	
	2		Electrical Harness Components (refer to 71-50-00, figure 1 for details)	
	3		Engine Mount Components (refer to 71-20-00, figure 1 for details)	

- Item not illustrated

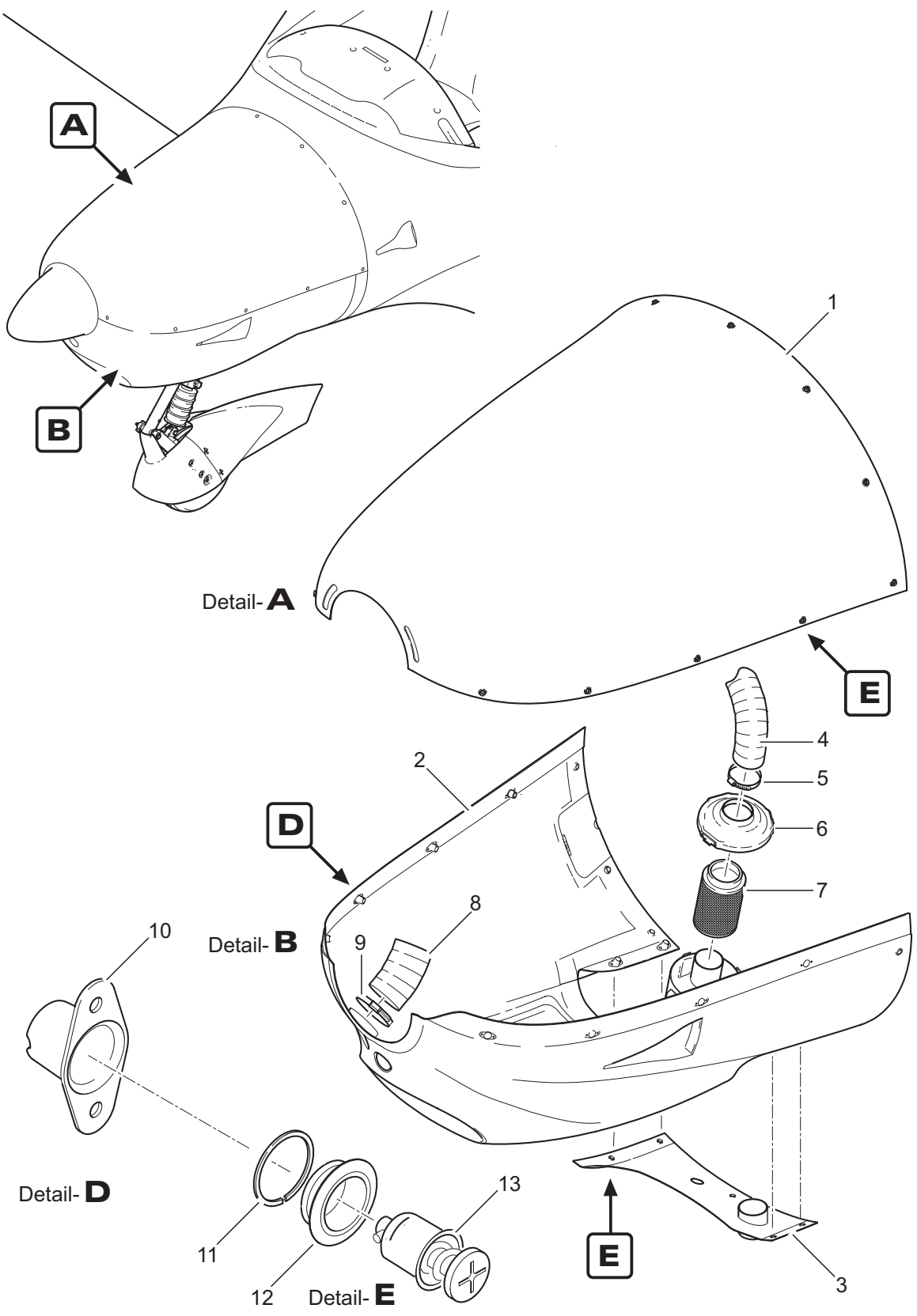
Power Plant - General
Figure 1

71-00-00

Page 3

29.04.16

COWLING



Cowling / Air Intake Components
Figure 1

Fig. Item	QTY	Part Number	Nomenclature	Effectivity
1			Cowling / Air Intake Components	
	1	AT01-2130-001	upper cowling	
2	1	AT01-2130-002	lower cowling	110 - 189
	1	AT01-2130-006	lower cowling	190 - 299
	1	AT01-2130-013	lower cowling	SB-AT01-029
3	1	AT01-2130-104	cowling air outlet	127 - 299
4	1	AT01-4520-600	air hose (red / Ø 63mm / 680mm)	
5	1	AT01-4520-491	hose clamp (DIN 3017 50-70mm)	
6	1	AT01-7040-103	air box cap	
7	1	AT01-7040-101	air filter cartridge	
8	1	AT01-4520-558	air hose (red / Ø 83mm / 100mm)	
9	1	AT01-4520-493	clamp (DIN 3017 70-90mm)	
10	16	AT01-1840-582	Benloc receptacle	
	16	AT01-1840-562	Camloc receptacle (optional)	
11	16	AT01-1840-580	Camloc retaining washer	
12	16	AT01-1840-558	Camloc grommet	
13	16	AT01-1840-448/449/550	Camloc stud (5/6/7mm)	
- 14	1	AT01-4520-600	air hose for preheated air (red / Ø 63mm / 350mm)	

- Item not illustrated

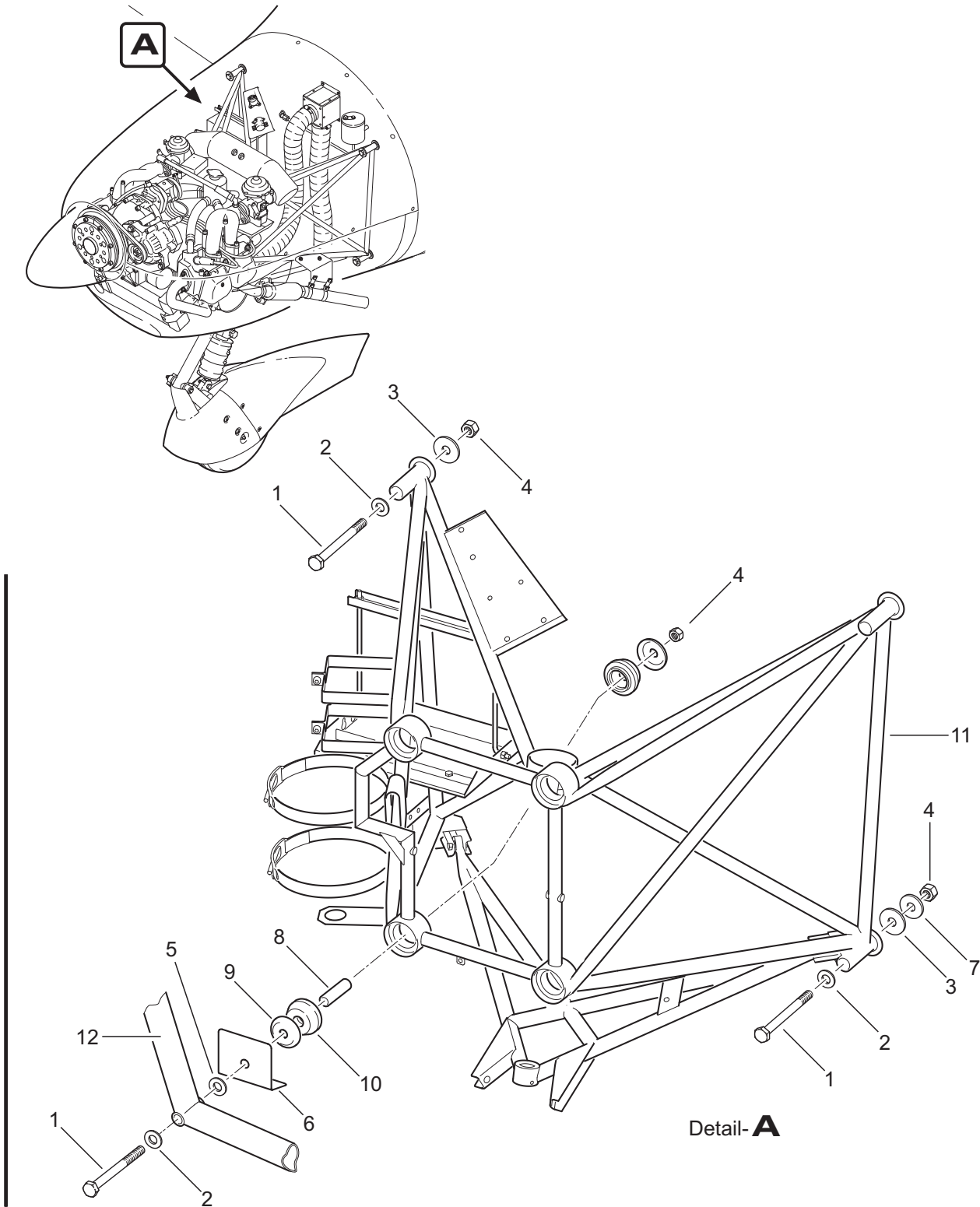
Cowling / Air Intake Components
Figure 1

71-10-00

Page 3

29.04.16

ENGINE MOUNTS



NOTE: 5 - right mounts only
6 - lower mounts only
7 - lower mounts only

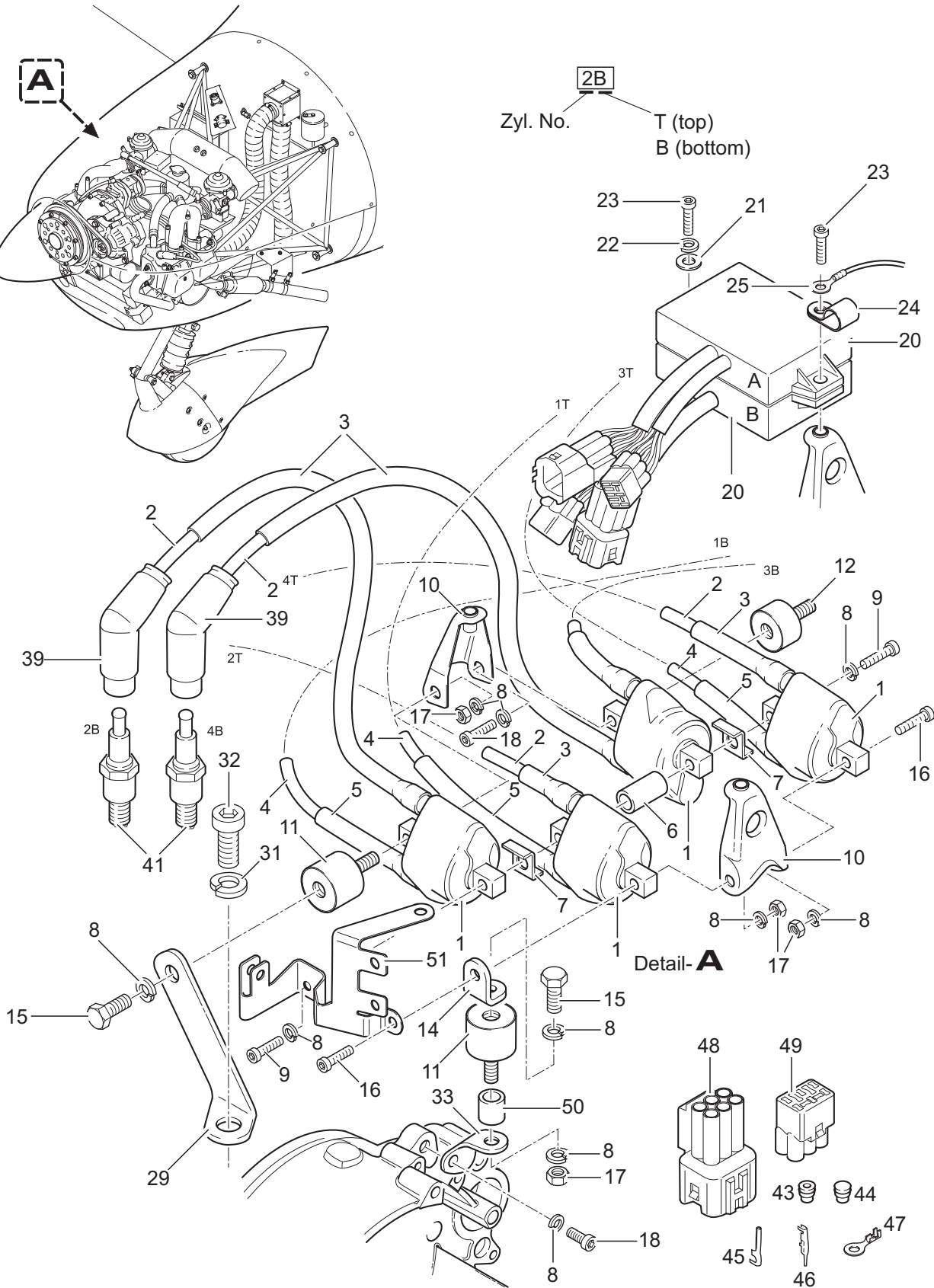
Engine Mount Components
Figure 1

Fig. Item	QTY	Part Number	Nomenclature	Effectivity
2			Engine Mount Components	
1	8	1800931_M10x110	bolt (DIN 931 M10x110)	
2	8	1800125_10,5	washer (DIN 125 10,5x20)	
3	4	1800440_11	washer (DIN 440 11x34)	
4	8	1806925 8VZ M10	locknut (DIN 6925 M10)	
5	2	1800125_10,5	washer (DIN 125 10,5x20)	(1)
6	2	AT01-7010-115	heat protection shield	
7	2	1806340_10,5	washer (DIN 6340 10,5x28)	(2)
8	4	AT01-7010-102	spacer tube	
9	8	AT01-7010-109	ending washer	
10	4	AT01-7010-111	shock mount	
11	1	AT01-7010-001	engine mount (old version)	(3)
	1	AT01-7010-007	engine mount (new version)	
12	1	AT01-7080-457	engine mount Rotax	

Notes:

- (1) Washers are installed with the old engine mount (AT01-7010-001) only.
- (2) Refer to SB-AT01-022.
- (3) No longer available. Replaced by AT01-7010-007.

ELECTRICAL HARNESS



Electrical Harness Components
Figure 1

Fig. Item	QTY	Part Number	Nomenclature	Effectivity
1			Electrical Harness Components	
1	4	Ro 966218	double ignition coil assy	
2	4	Ro 865710	ignition cable 7mm (620mm; in a roll)	
3	4	Ro 860990	protection hose (8x1x560mm; in a roll)	
4	4	Ro 865710	ignition cable 7mm (500mm; in a roll)	
5	4	Ro 860990	protection hose (8x1x450mm; in a roll)	
6	1	Ro 842742	distance nut (M6x22,5)	
7	2	Ro 953390	separating plate	
8	10	Ro 945751	lock washer (A6 DIN 128)	
9	2	Ro 840883	Allen screw (M6x30)	
10	2	Ro 953127	ignition coil bracket	
11	2	Ro 860710	rubber buffer	
12	1	Ro 960060	rubber buffer	
14	1	Ro 851260	ignition coil bracket 1	
15	2	Ro 240771	bolt (DIN 933 M6x10)	
16	2	Ro 241930	bolt (DIN 912 M6x20)	
17	4	Ro 242211	hex. nut (M6)	
18	2	Ro 241236	bolt (DIN 912 M6x16)	
20	2	Ro 966726	SMD-electronic module (standard from serial no. 4,923.058)	
21	1	Ro 827800	washer (DIN 6902 A5,5)	
22	1	Ro 945750	lock washer (DIN 128 A5 FST)	
23	2	Ro 240186	bolt (DIN 912 M5x25)	
24	1	Ro 851118	cable clamp (11/ M5)	
25	1	Ro 965788	mass cable assy	
29	1	Ro 851480	bracket	
31	1	Ro 945752	lock washer (A8)	
32	1	Ro 440191	bolt (DIN 912 M8x16)	
33	1	Ro 851263	bracket	
-34	2	Ro 860730	protection tube (silicone hose 120mm; in a roll, for 2 ignition cable bottom)	
-35	2	Ro 860741	marking sleeve 1	
-36	2	Ro 860742	marking sleeve 2	
-37	2	Ro 860743	marking sleeve 3	
-38	2	Ro 860744	marking sleeve 4	
39	8	Ro 265240	suppressed spark plug connector	
40	8	Ro 866710	clamp (142x2,5mm)	
41	8	Ro 297940	spark plug (12mm)	
-42	AR	Ro 251920	clamp (279x3,6mm; for 2 ignition cable bottom)	
43	AR	Ro 260130	cable grommet	
44	AR	Ro 260135	dummy plug	
45	AR	Ro 265275	Faston connector	
46	AR	Ro 265210	flat pin terminal	
47	AR	Ro 964055	cable shoe (M5)	
48	AR	Ro 265269	connector housing (6-pole)	
49	AR	Ro 265265	connector housing (6-pole)	
50	1	Ro 847700	spacer (6/10/11)	
51	1	Ro 853125	connector bracket	

- Item not illustrated

Electrical Harness Components
Figure 1

71-50-00

Page 3

29.04.16



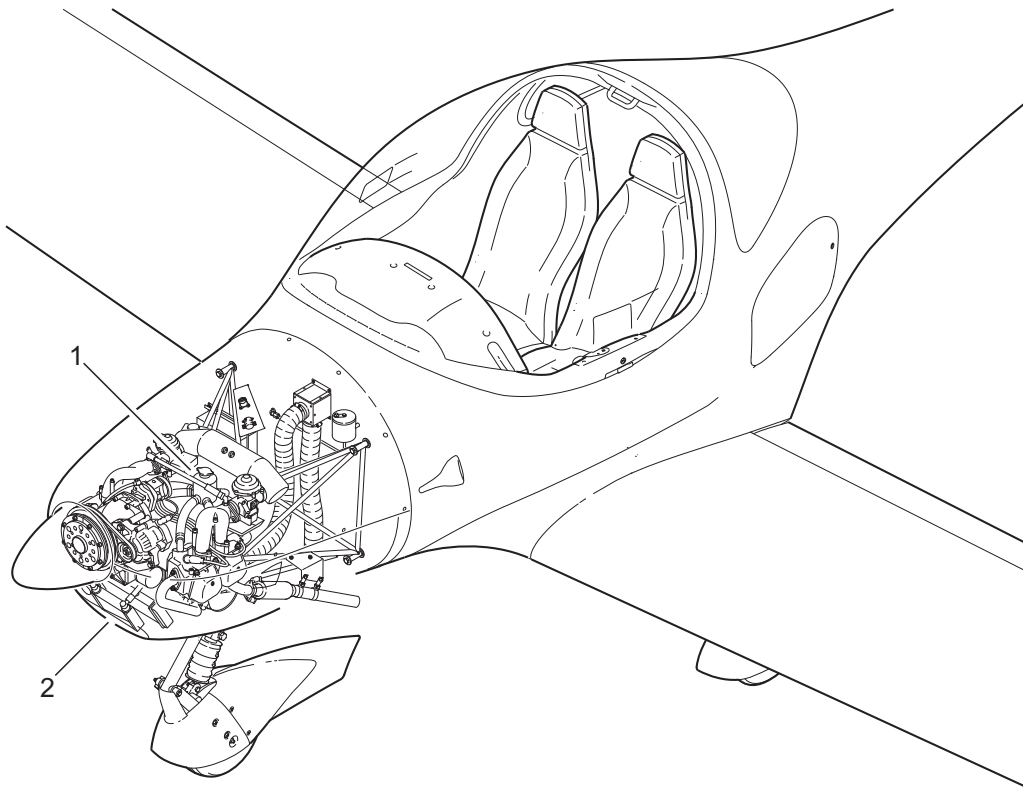
AQUILA AT01
ILLUSTRATED PARTS CATALOG

CHAPTER 75
ENGINE COOLING

TABLE OF CONTENTS

<u>Title</u> <u>Subject</u>	<u>Chapter</u> <u>Section</u> <u>Subject</u>	<u>Page</u>	<u>Effectivity</u>
ENGINE COOLING - GENERAL	75-00-00	1	
Engine Cooling - General	75-00-00	2	
Water Cooling	75-00-00	4A	
Water Cooling	75-00-00	4B	SB-AT01-029
Air Cooling	75-00-00	6	

ENGINE COOLING
GENERAL

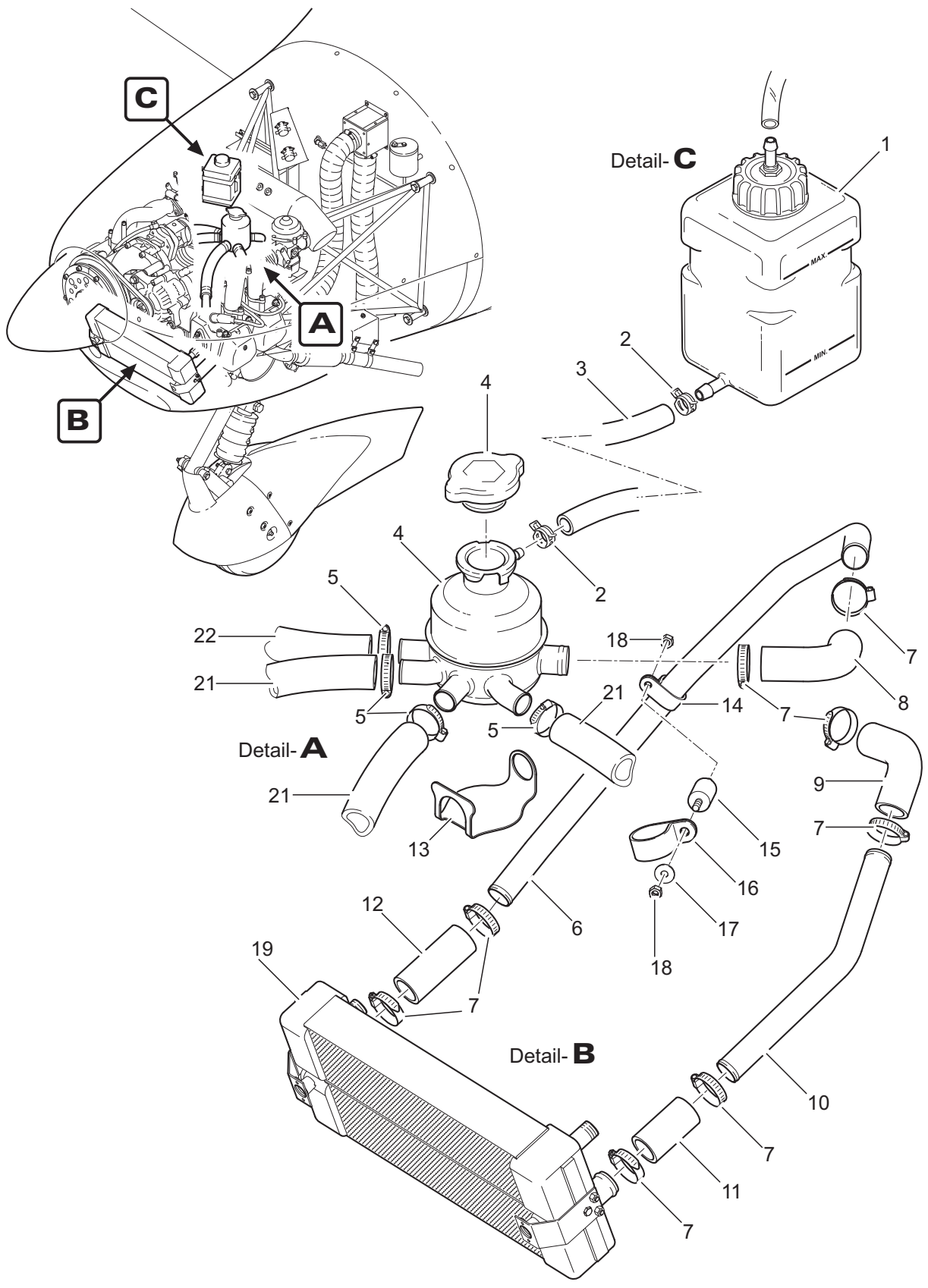


Engine Cooling - General
Figure 1

Fig. Item	QTY	Part Number	Nomenclature	Effectivity
1			Engine Cooling - General	
	1		Water Cooling (refer to 75-00-00, figure 2A for details)	SB-AT01-029
	1		Water Cooling (refer to 75-00-00, figure 2B for details)	
	2		Air Cooling (refer to 75-00-00, figure 3 for details)	

- Item not illustrated

Engine Cooling - General
Figure 1



Water Cooling
Figure 2A

Fig. Item	QTY	Part Number	Nomenclature	Effectivity
2A			Water Cooling	
1	1	AT01-7000-150	overflow bottle with cap	
2	2	AT01-4520-462	Cobra clamp	
3	1	AT01-4520-427	fuel hose (DIN 73379, 1200mm)	
4	1	AT01-7050-110	expansion tank with cap	
5	4	AT01-7080-409	spring clamp	
6	1	AT01-7050-100	cooling pipe expansion tank / cooler	
7	8	AT01-4520-489	hose clamp	
	8	AT01-4520-458	hose clamp (optional)	
8	1	AT01-7050-106	hose elbow expansion tank (cut from AT01-1870-222)	
9	1	AT01-7050-105	hose elbow pump (cut from AT01-1870-222)	
10	1	AT01-7050-101	cooling pipe pump / cooler	
11	1	AT01-7050-111	cooling hose LH (cut from AT01-1870-222 or -223)	
12	1	AT01-7050-109	cooling hose RH (cut from AT01-1870-222 or -223)	
13	1	AT01-7080-455	Rubber Plate	
14	1	AT01-4520-469	pipe clamp	
15	1	AT01-7050-112	rubber buffer	
16	1	AT01-4520-478	pipe clamp	
17	3	1809021_6,4	washer (DIN 9021 6,4x18)	
18	2	1800985_M6	locknut (DIN 985 M6)	
19	1	AT01-7050-300	oil and water cooler	
- 20	1	AT01-7070-110	heat protection foil (150mm)	
21	3	AT01-7080-405	hose	
22	1	AT01-7080-232	hose (Rotax: 922192)	

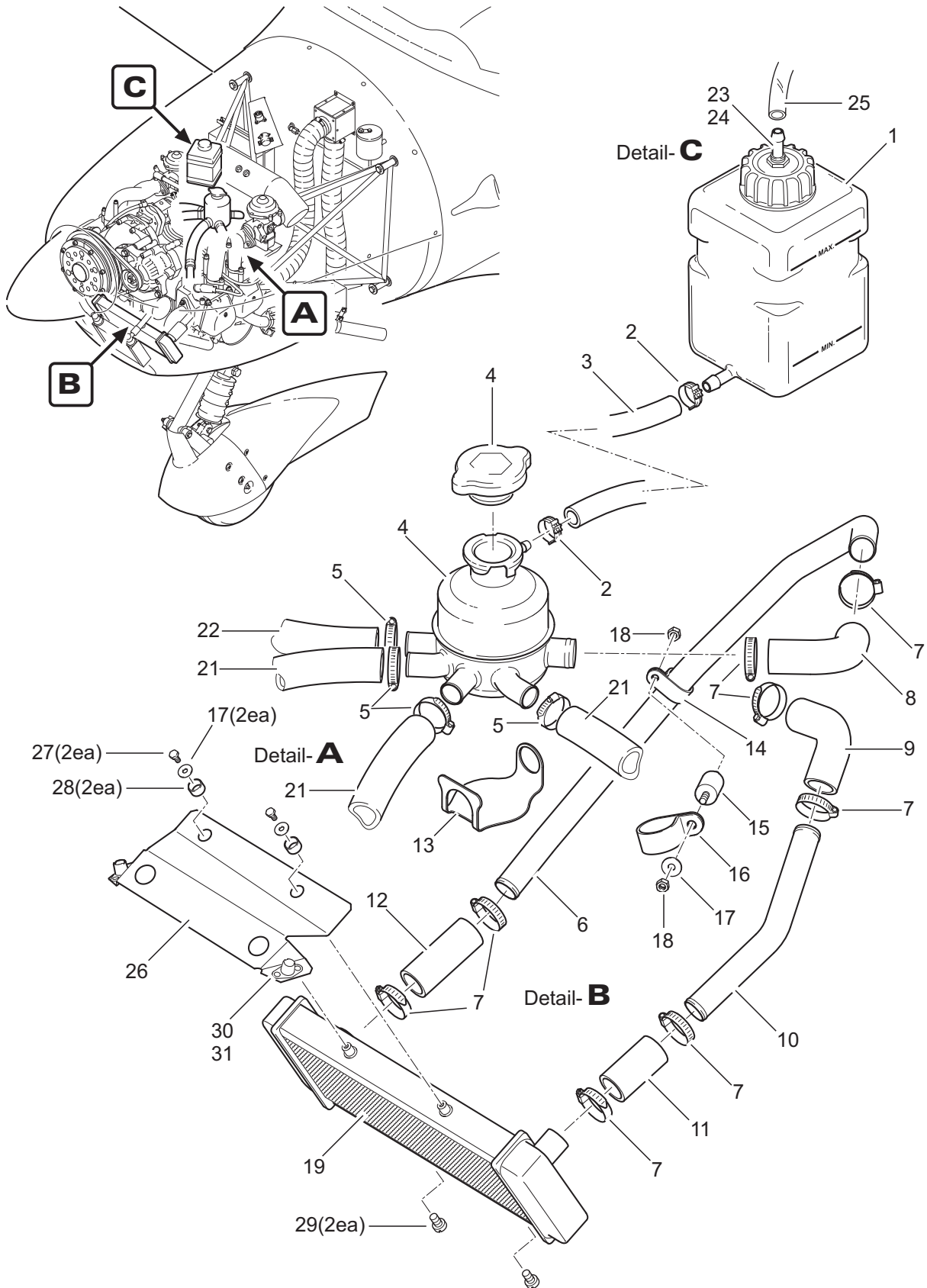
- Item not illustrated

Water Cooling
Figure 2A

75-00-00

Page 5A

29.04.16



EFFECTIVITY

Cooling system retrofit
SB-AT01-029

Water Cooling
Figure 2B

75-00-00

Fig. Item	QTY	Part Number	Nomenclature	Effectivity
2B			Water Cooling	SB-AT01-029
1	1	AT01-7000-150	overflow bottle with cap	
2	2	AT01-4520-462	Cobra hose clamp	
3	1	AT01-4520-427	fuel hose (DIN 73379, 1200mm)	
4	1	AT01-7050-110	expansion tank with cap	
5	4	AT01-7080-409	spring clamp	
6	1	AT01-7050-129	cooling pipe expansion tank / cooler	
7	8	AT01-4520-458	hose clamp	
8	1	AT01-7050-106	hose elbow expansion tank (cut from AT01-1870-222)	
9	1	AT01-7050-105	hose elbow pump (cut from AT01-1870-222)	
10	1	AT01-7050-131	cooling pipe pump / cooler	
11	1	AT01-7050-111	cooling hose LH (cut from AT01-1870-222 or -223)	
12	1	AT01-7050-109	cooling hose RH (cut from AT01-1870-222 or -223)	
13	1	AT01-7080-455	Rubber Plate	
14	1	AT01-4520-469	pipe clamp	
15	1	AT01-7050-112	rubber buffer	
16	1	AT01-4520-478	pipe clamp	
17	3	1809021_6,4	washer (DIN 9021 6,4x18)	
18	2	1800985_M6	locknut (DIN 985 M6)	
19	1	AT01-7050-303	water cooler	
- 20	2	AT01-7070-110	heat protection foil (150mm)	
21	3	AT01-7080-405	hose	
22	1	AT01-7080-232	hose (Rotax: 922192)	
23	1	AT01-4510-136	hose nozzle	
24	2	AT01-4520-228	nut	
25	1	AT01-4520-100	hose (725mm, secured with cable tie AT01-4530-927)	
26	1	AT01-7050-125	cooler mounting bracket	
	1	AT01-7050-149	cooler mounting bracket (new oil cooler; refer to SI-AT01-018 annex 18)	
27	2	1800933_M6x12	bolt (DIN 933 M6x12)	
28	2	AT01-7050-132	spacer sleeve	
29	2	1801207_M6x10_PA	bolt (ISO 1207 M6x10 PA)	
30	2	AT01-1840-582	Benloc receptacle	
31	4	1807337_3,2x6 ES/ES	rivet (DIN 7337 3,2x6)	

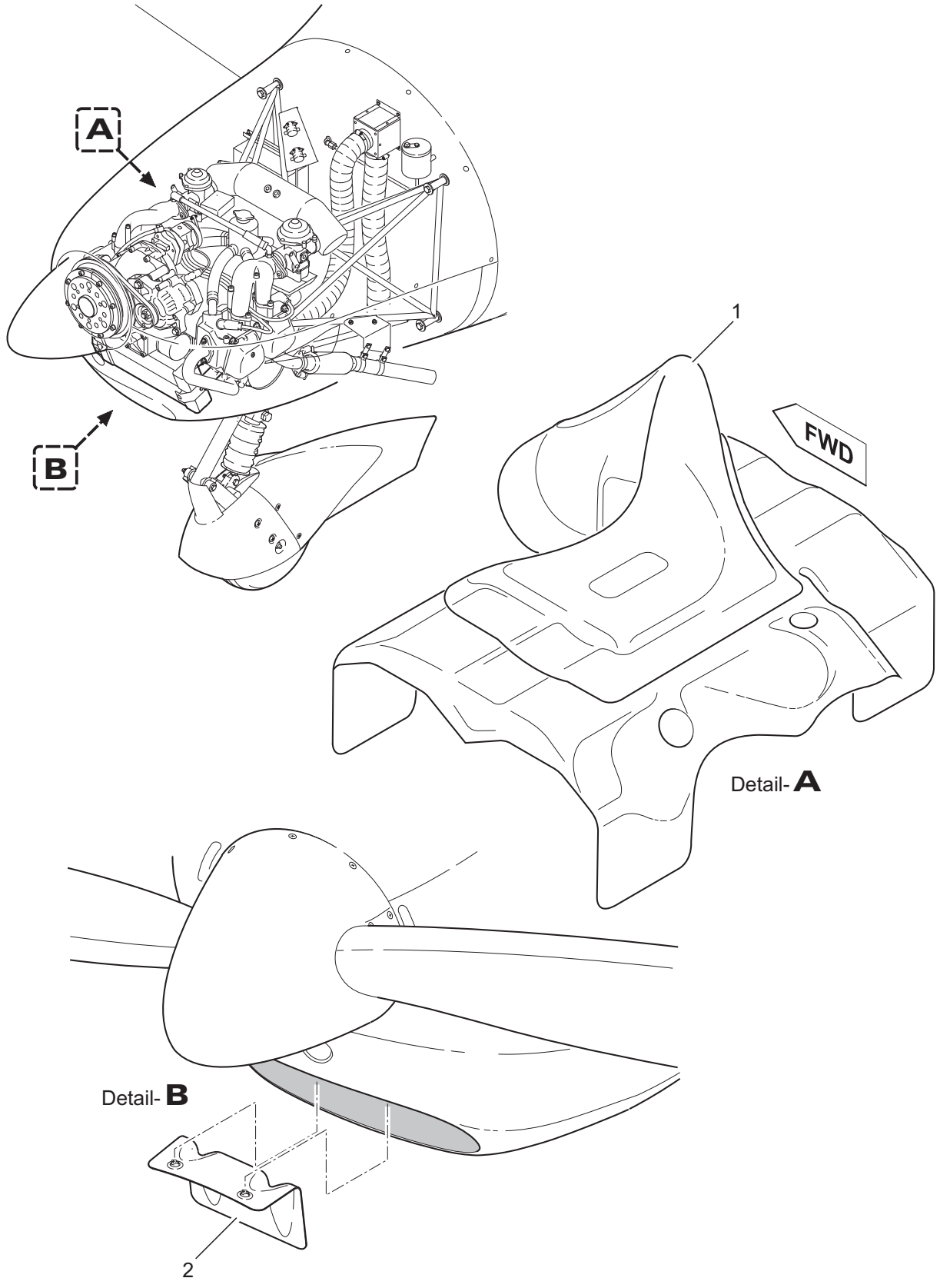
- Item not illustrated

Water Cooling
Figure 2B

75-00-00

Page 5B

29.04.16



Air Cooling
Figure 3

Fig. Item	QTY	Part Number	Nomenclature	Effectivity
3			Air Cooling	
	1	Ro 975796	cooling air baffle	
	2	AT01-7050-003	winter plate	
		1	AT01-7050-013	winter plate
				SB-AT01-029

- Item not illustrated

Air Cooling
Figure 3

75-00-00

Page 7

29.04.16



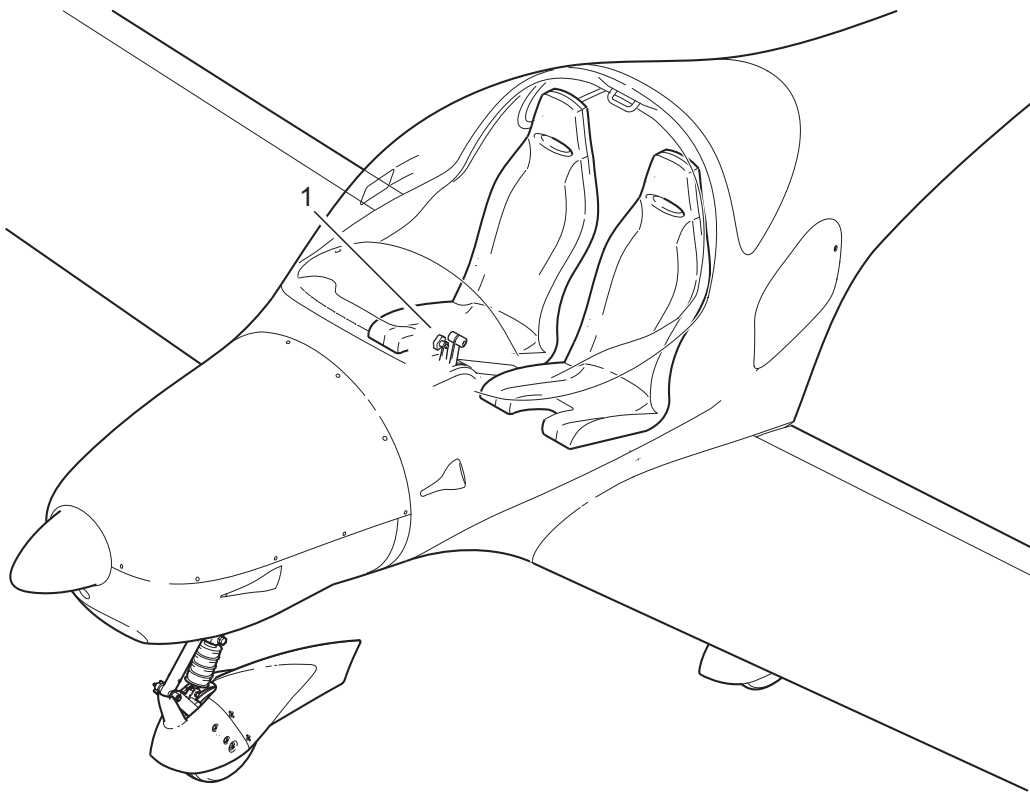
AQUILA AT01
ILLUSTRATED PARTS CATALOG

CHAPTER 76
ENGINE CONTROLS

TABLE OF CONTENTS

<u>Title</u> <u>Subject</u>	<u>Chapter</u> <u>Section</u> <u>Subject</u>	<u>Page</u>	<u>Effectivity</u>
ENGINE CONTROLS - GENERAL	76-00-00	1	
Engine Controls - General	76-00-00	2	
Throttle / Propeller Control Installation	76-00-00	4	
Choke Control Installation	76-00-00	6	
Carburetor Heat Control Installation	76-00-00	8	

ENGINE CONTROLS
GENERAL



Engine Controls - General
Figure 1

Fig. Item	QTY	Part Number	Nomenclature	Effectivity
1			Engine Controls - General	
	1		Throttle / Propeller Control Installation (refer to 76-00-00, figure 2 for details)	
	1		Choke Control Installation (refer to 76-00-00, figure 3 for details)	
	1		Carburetor Heat Control Installation (refer to 76-00-00, figure 4 for details)	

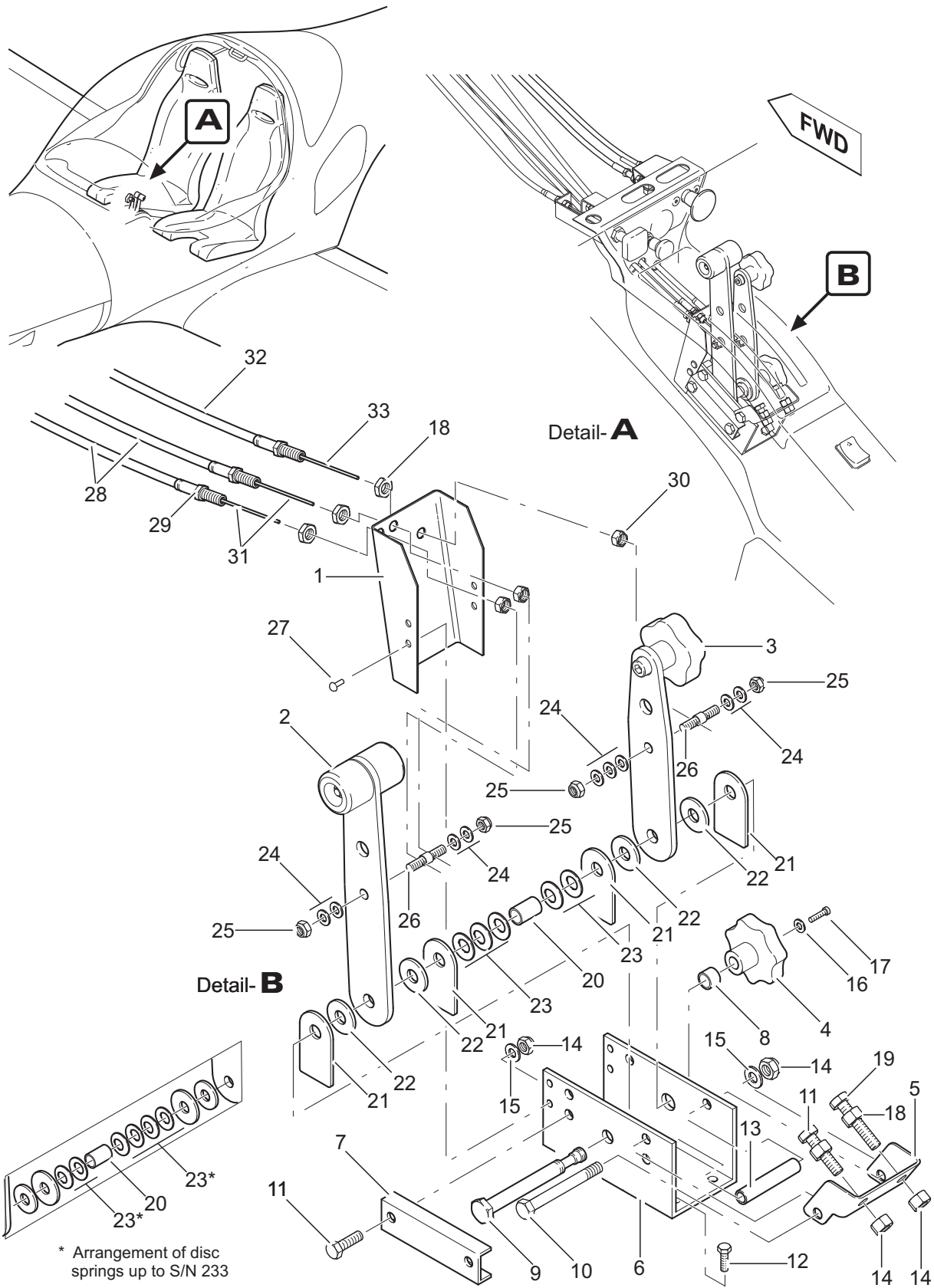
- Item not illustrated

Engine Controls - General
Figure 1

76-00-00

Page 3

29.04.16



Throttle / Propeller Control Installation
Figure 2

Fig. Item	QTY	Part Number	Nomenclature	Effectivity
2			Throttle / Propeller Control Installation	
1	1	AT01-7020-124	guide plate	
2	1	AT01-7020-004	throttle control lever	
3	1	AT01-7020-005	propeller pitch control lever	
4	1	AT01-7020-102	knob	
5	1	AT01-7020-125	stopper plate	
6	1	AT01-7020-120	mounting bracket	
7	1	AT01-7020-121	axle latching	
8	1	AT01-7020-122	bushing	
9	1	AT01-7020-117	axle	
10	2	1800931_M6x60	bolt (DIN 931 M6x60)	
11	3	1800931_M6x25	bolt (DIN 931 M6x25)	
12	4	1800931_M5x16	bolt (DIN 931 M5x16)	
13	2	AT01-7020-123	bushing	
14	6	1800985_M6	locknut (DIN 985 M6)	
15	4	1800125_6,4	washer (DIN 125 6,4x12)	
16	1	1800125_4,3	washer (DIN 125 4,3x8)	
17	1	1807380_4x8	bolt (ISO 7380 M4x8)	
18	5	1800934_M6	nut (DIN 934 M6)	
19	1	1800933_M6x40	bolt (DIN 933 M6x40)	
20	1	AT01-7020-119	bushing	
21	4	AT01-7020-145	bearing plate	
		1809021_8,4	washer (DIN 9021 8,4x24) (replaced by AT01-7020-145)	
22	4	AT01-7020-112	friction washer	
23	6	1802093_8,2	disc spring (DIN 2093 8,2x16x0,9)	101 - 233
	5	1802093_8,2	disc spring (DIN 2093 8,2x16x0,9)	234 - 299
24	9	1800125_5,3	washer (DIN 125 5,3x10)	
25	4	1800985_M5	locknut (DIN 985 M5)	
26	2	AT01-7020-107	cable clamping screw	
27	4	1807337_4x8Al/St	rivet (DIN 7337 4x8)	
28	2	AT01-7020-130	Bowden cable housing (1150mm)	
29	3	AT01-7020-131	adjusting screw	
30	3	part of 7020-131	nut	
31	2	AT01-7020-108	Bowden cable (1500mm)	
32	1	AT01-7020-130	Bowden cable housing (1900mm)	
33	1	AT01-7020-108	Bowden cable (2000mm)	

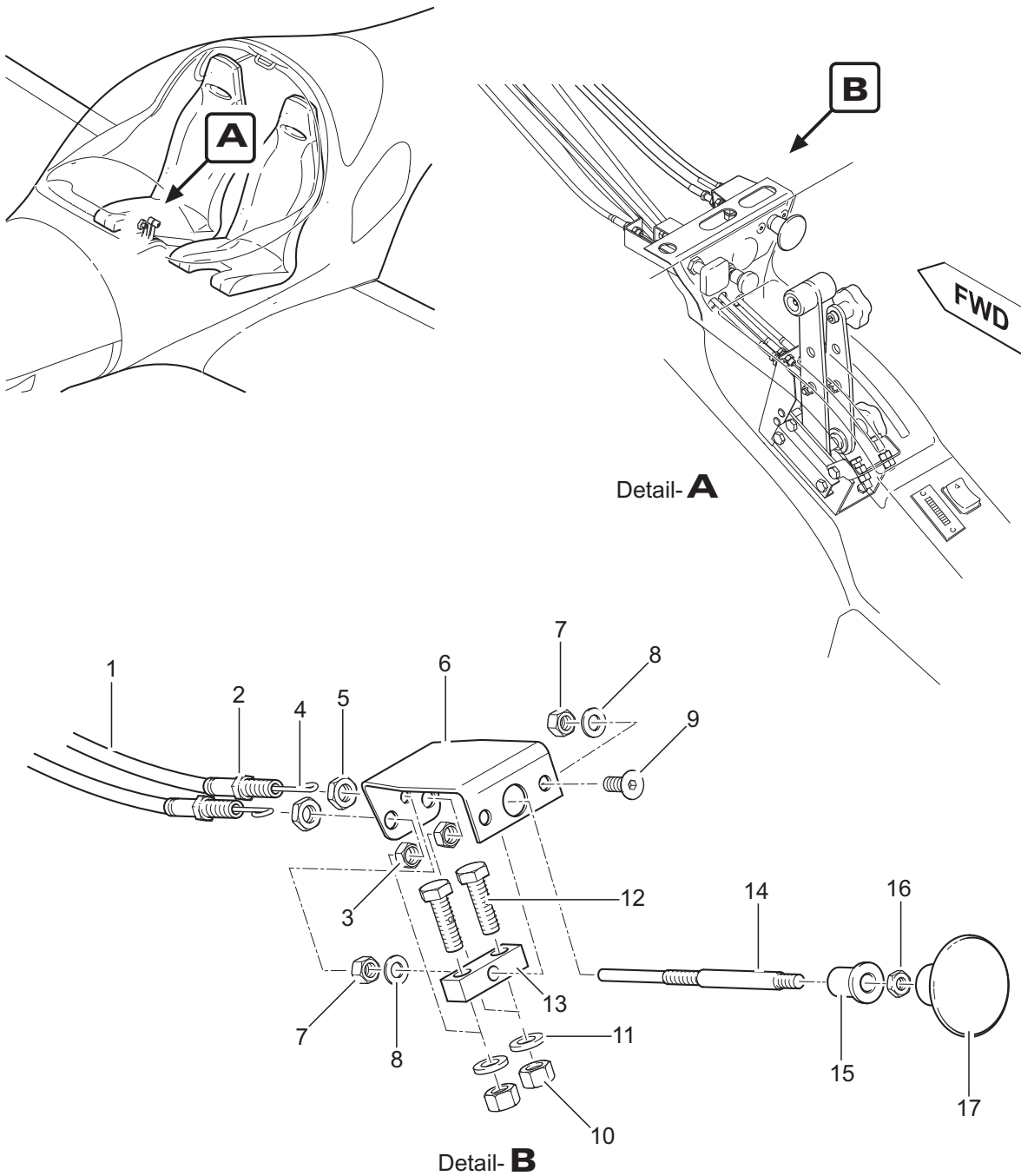
- Item not illustrated

Throttle / Propeller Control Installation
Figure 2

76-00-00

Page 5

29.04.16



Choke Control Installation
Figure 3

Fig. Item	QTY	Part Number	Nomenclature	Effectivity
3			Choke Control Installation	
1	2	AT01-7020-130	Bowden cable housing (1075mm)	
2	2	AT01-7020-131	adjusting screw	
3	2	part of 7020-131	nut	
4	2	AT01-7020-129	Bowden cable (2500mm)	
5	2	1800439_M6	nut (DIN 439 M6)	
6	1	AT01-7020-118	mounting bracket	
7	3	1800985_M5	locknut (DIN 985 M5)	
8	3	1800125_5,3	washer (DIN 125 5,3x10)	
9	2	1807991_M5	bolt (DIN 7991 M5)	
10	2	1800985_M6	locknut (DIN 985 M6)	
11	2	1800125_6,4	washer (DIN 125 6,4x10)	
12	2	AT01-7020-110	clamping screw	
13	1	AT01-7020-111	clamp	
14	1	AT01-7020-109	pull rod	
15	1	1850028	bearing bush	
16	1	1800439_M5	nut (DIN 439 M5)	
17	1	AT01-7020-128	control knob	

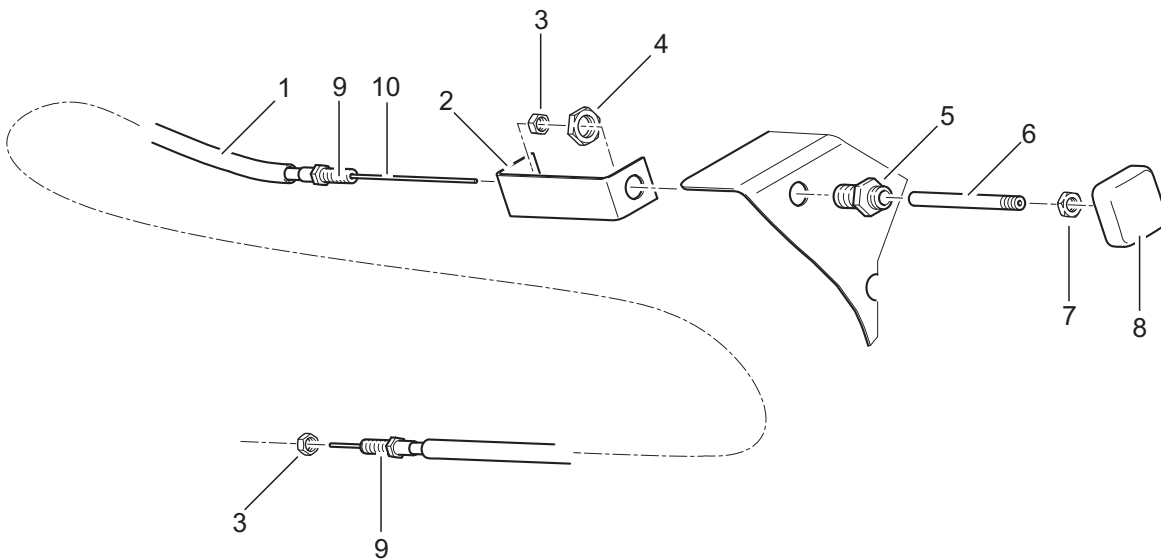
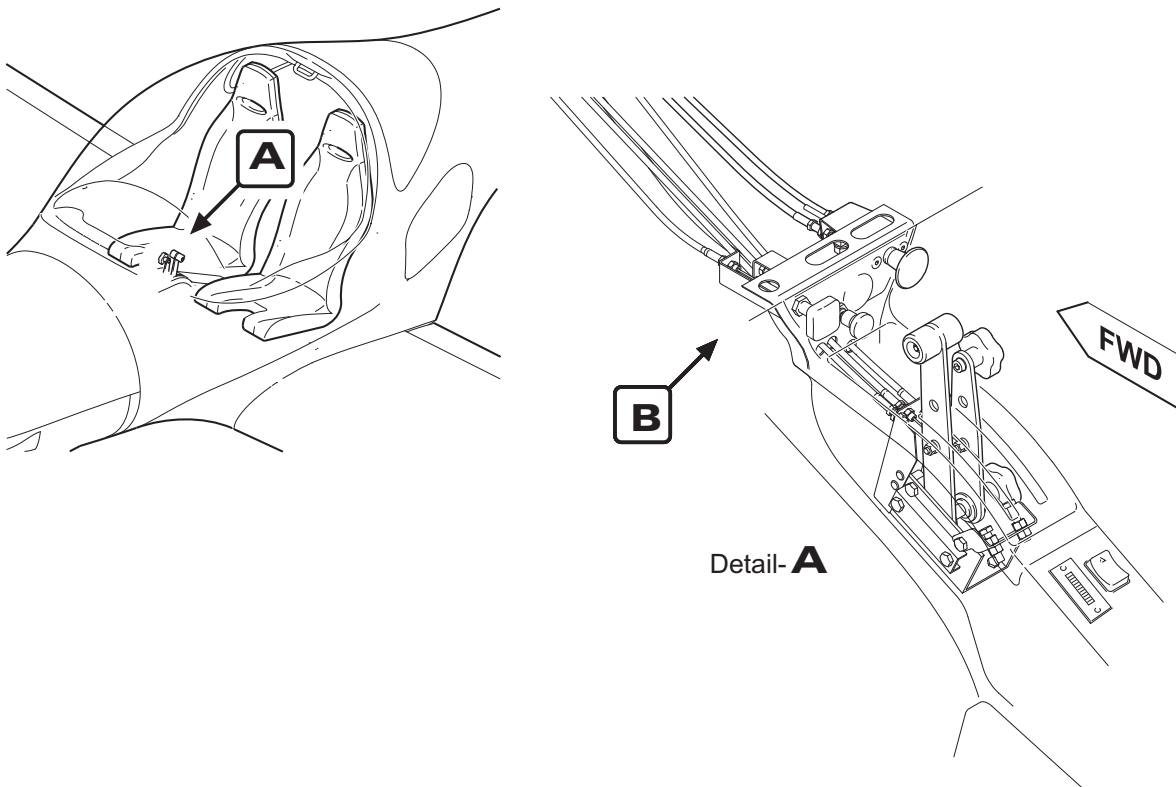
- Item not illustrated

Choke Control Installation
Figure 3

76-00-00

Page 7

29.04.16



Carburetor Heat Control Installation
Figure 4

Fig. Item	QTY	Part Number	Nomenclature	Effectivity
4			Carburetor Heat Control Installation	
1	1	AT01-7020-130	Bowden cable housing (1080mm)	
2	1	AT01-7020-114	mounting bracket	
3	2	AT01-7020-132	nut (M6)	
4	1	AT01-4520-228	nut (M10)	
5	1	AT01-4510-149	bulkhead fitting (M10)	
6	1	AT01-7020-126	pull rod	
7	1	1800439_M6	nut (DIN 439 M6)	
8	1	AT01-7020-106	control knob	
9	2	AT01-4510-135	adjusting screw	
10	1	AT01-7020-108	Bowden cable (1320mm)	
-11	2	AT01-4520-424	PVC hose (500mm in front of / 400mm behind firewall)	

- Item not illustrated

Carburetor Heat Control Installation
Figure 4

76-00-00

Page 9

29.04.16



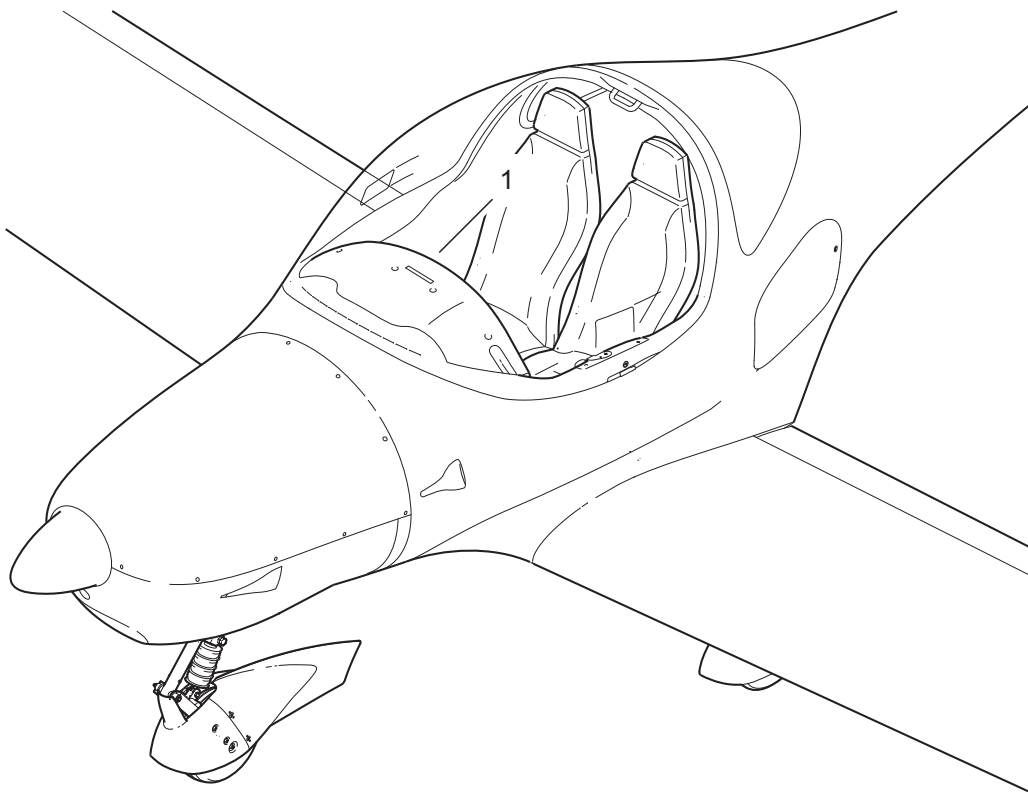
AQUILA AT01
ILLUSTRATED PARTS CATALOG

CHAPTER 77
ENGINE INDICATING

TABLE OF CONTENTS

<u>Title</u> <u>Subject</u>	<u>Chapter</u> <u>Section</u> <u>Subject</u>	<u>Page</u>	<u>Effectivity</u>
ENGINE INDICATING - GENERAL	77-00-00	1	
Engine Indicating - General	77-00-00	2	
Engine Indicating - Instruments / Probes	77-00-00	4	

**ENGINE INDICATING
GENERAL**



Engine Indicating - General
Figure 1

Fig. Item	QTY	Part Number	Nomenclature	Effectivity
1			Engine Indicating - General	
	1		Engine Indicating - Instruments / Probes (refer to 77-00-00, figure 2 for details)	

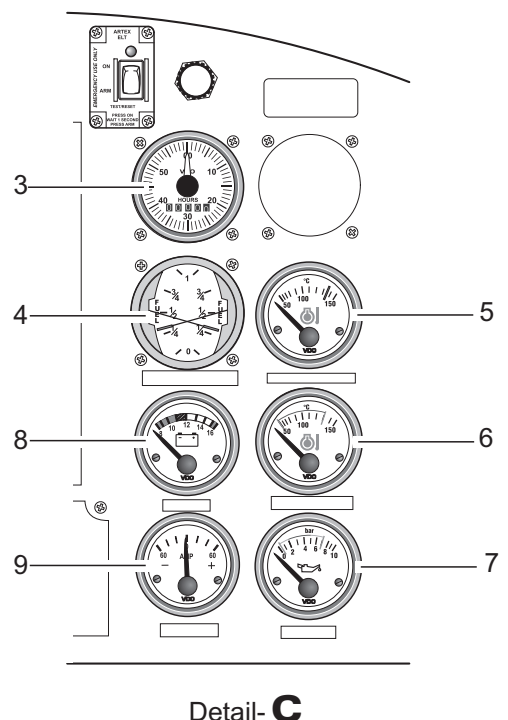
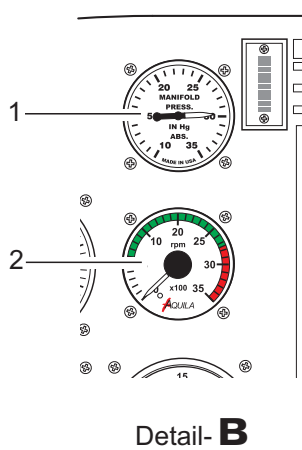
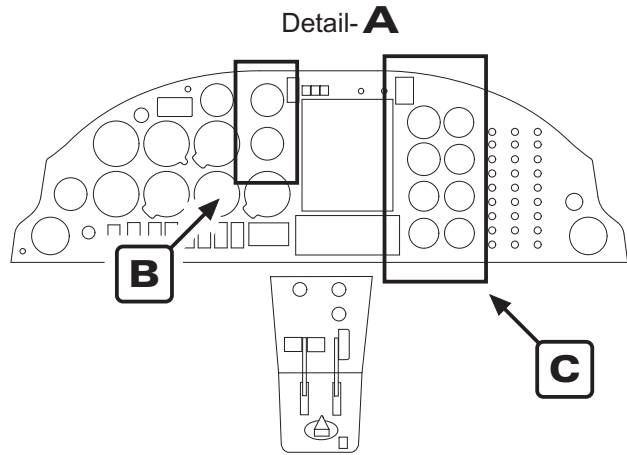
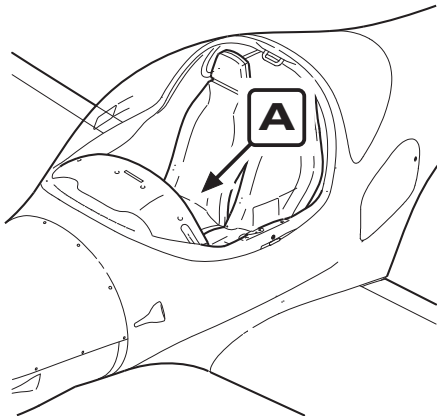
- Item not illustrated

Engine Indicating - General
Figure 1

77-00-00

Page 3

29.04.16



Engine Indicating - Instruments / Probes
Figure 2

Fig. Item	QTY	Part Number	Nomenclature	Effectivity
2			Engine Indicating Components	
1	1	AT01-2840-129	manifold pressure gauge	
2	1	AT01-7030-100	propeller tachometer Aviasport	(1)
	1	AT01-7030-103	propeller tachometer UMA (optional)	
3	1	AT01-2840-185	operating hours meter (VDO)	
	1	AT01-2840-186	operating hours meter (Winter; FSZM analog)	
	1	AT01-2840-188	operating hours meter	
	1	AT01-2840-189	operating hours meter (Bauser)	
	1	AT01-2840-190	operating hours meter (Hobbs Hourmeter Type 5000)	
4	1	AT01-2840-122	dual fuel level gauge (capacitive type sender)	101-250, (2)
	1	AT01-2840-202	single fuel level gauge "NGF" (capacitive type sender)	101-250, (2)
	1	AT01-2840-203	dual fuel level gauge "NGF" (capacitive type sender)	101-250, (2)
	1	AT01-2840-206	dual fuel level gauge (float type sender; old wiring)	251-299, (3), (5)
	1	AT01-2840-220	dual fuel level gauge (float type sender; new wiring)	251-299, (5)
5	1	AT01-2840-127	cylinder head temperature gauge (135°C CHT limit)	(6)
	1	AT01-2840-218	cylinder head temperature gauge (129°C CHT limit)	(6)
	1	AT01-2840-225	cylinder head temperature gauge (120°C CHT limit)	(6)
6	1	AT01-2840-123	oil temperature gauge	
7	1	AT01-2840-125	oil pressure gauge	(4)
	1	AT01-2840-165	oil pressure gauge	
8	1	AT01-2840-126	voltmeter	
9	1	AT01-2840-121	ammeter	
-10	1	AT01-8040-002	fuel gauge calibration module (optional; old wiring)	251-299, (5)
	1	AT01-8040-001	fuel gauge calibration module (optional; new wiring)	251-299, (5)

Notes:

- (1) Replaced by AT01-7030-103. Refer to SI-AT01-018 (annex 2).
- (2) Two different types of capacitive fuel level indicating systems are in use. The systems are not compatible to each other and require specific fuel level senders and gauges. Refer to 28-00-00 for further information.
- (3) No longer available. Replaced by AT01-2840-220. Refer to SI-AT01-018 (annex 1).
- (4) No longer available. Replaced by AT01-2840-165.
- (5) The calibration module is installed on the back of the fuel level gauge (float type sender only) and used for easier calibration of the gauge.

Fuel level senders

Fuel gauge calibration modules require specific levers on the fuel level senders:

If the gauge is operated without a calibration module, the lever AT01-8030-178 must be used.

If a calibration module is installed, the lever AT01-8030-186 must be used.

Wiring versions

Fuel gauge AT01-2840-206 is compatible with calibration module AT01-8040-002 only (old wiring).

Fuel gauge AT01-2840-220 is compatible with calibration module AT01-8040-001 only (new wiring).

- (6) Cylinder head temperature limit depends on the type of cooling system and the type of Rotax cylinder heads installed.
 - Standard cooling system (combined water/oil radiator; coolant: propylene glycol): CHT limit 135°C
 - Retrofit cooling system (separate water/oil radiators; coolant: water/ethylene glycol): CHT limit 120°C/129°C
 Refer to SB-AT01-029 for further information.

- Item not illustrated

Engine Indicating - Instruments / Probes
Figure 2

77-00-00

Page 5

29.04.16



AQUILA AT01
ILLUSTRATED PARTS CATALOG

CHAPTER 79

OIL

TABLE OF CONTENTS

<u>Title</u> <u>Subject</u>	<u>Chapter</u> <u>Section</u> <u>Subject</u>	<u>Page</u>	<u>Effectivity</u>
OIL - GENERAL	79-00-00	1	
Oil - General	79-00-00	2	
Oil System	79-00-00	4A	
Oil System	79-00-00	4B	SB-AT01-29
Oil Tank Assembly	79-00-00	6	
Oil Filter / Oil Indicating System	79-00-00	8	

OIL
GENERAL

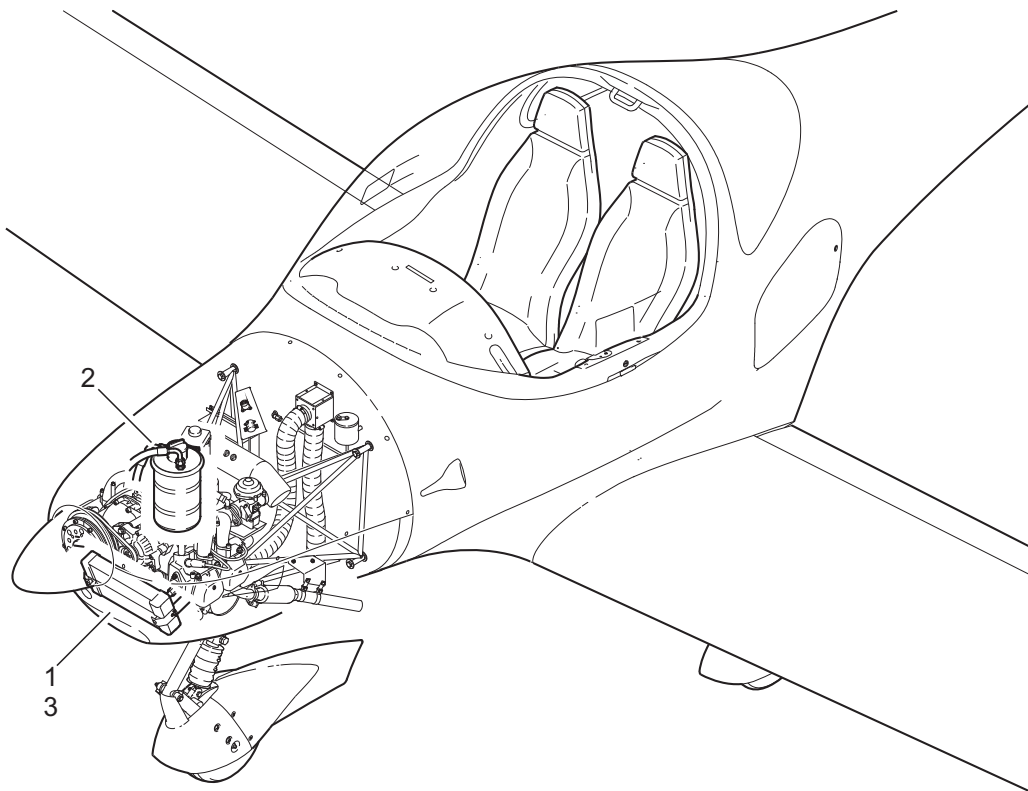


Fig. Item	QTY	Part Number	Nomenclature	Effectivity
1			Oil - General	
	1		Oil System (refer to 79-00-00, figure 2A for details)	SB-AT01-029
	1		Oil System (refer to 79-00-00, figure 2B for details)	
	2		Oil Tank Assembly (refer to 79-00-00, figure 3 for details)	
	3		Oil Filter / Oil Indicating System (refer to 79-00-00, figure 4 for details)	

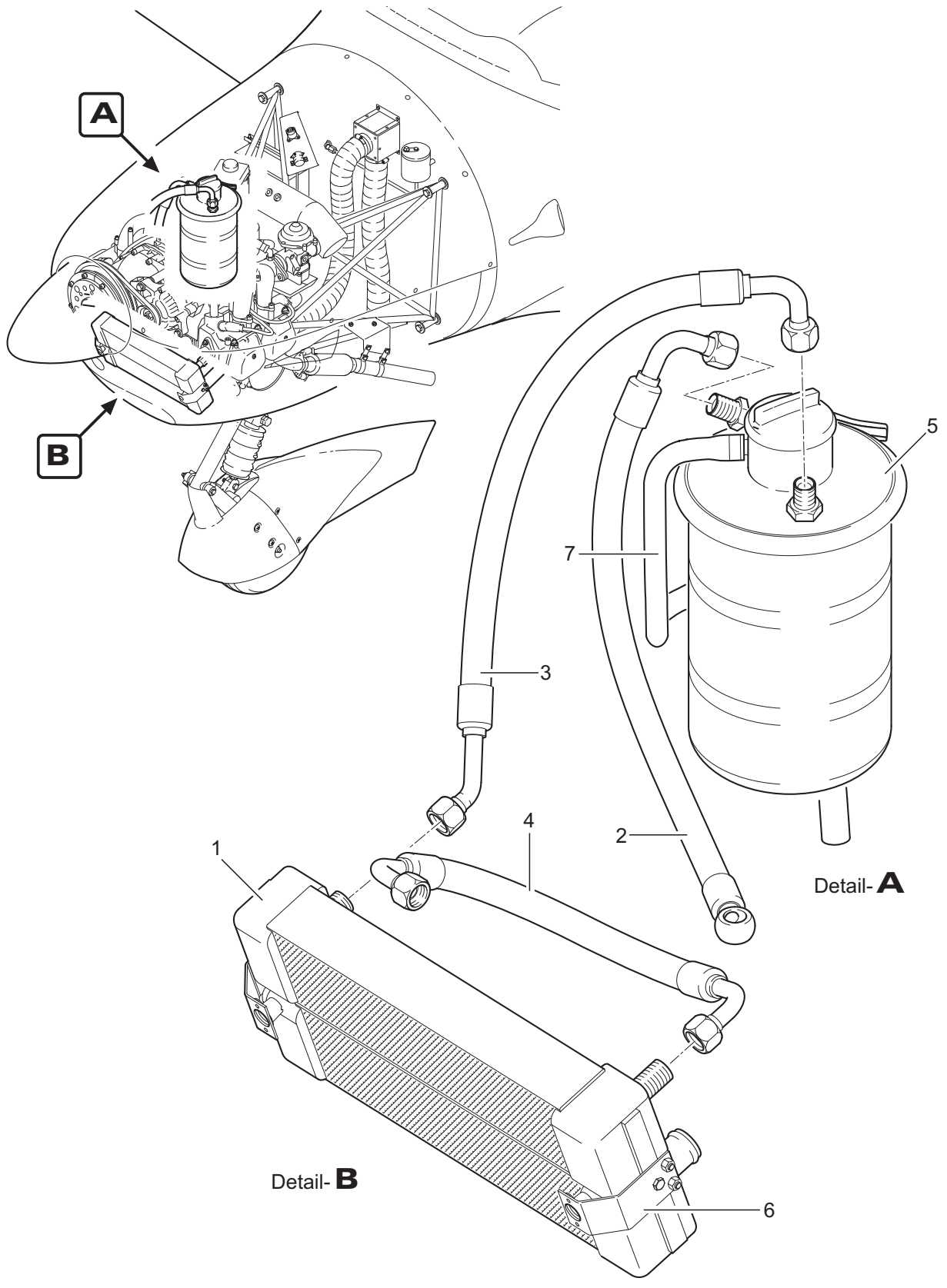
- Item not illustrated

Oil - General
Figure 1

79-00-00

Page 3

29.04.16



Oil System
Figure 2A

Fig. Item	QTY	Part Number	Nomenclature	Effectivity
2A			Oil System	
1	1	AT01-7050-300	oil and water cooler	
2	1	AT01-7000-018	oil hose engine / oil tank	
3	1	AT01-7000-021	oil hose oil tank / oil cooler	
4	1	AT01-7000-022	oil hose oil cooler / engine	
5	1	AT01-7000-040	oil tank assembly (new version, Rotax P/N: 656865)	
	1	AT01-7000-039	oil tank assembly (old version, Rotax P/N: 956503)	
6	2	AT01-7050-102	cooler bracket	
7	1	AT01-4520-427	venting hose oil tank (750mm)	

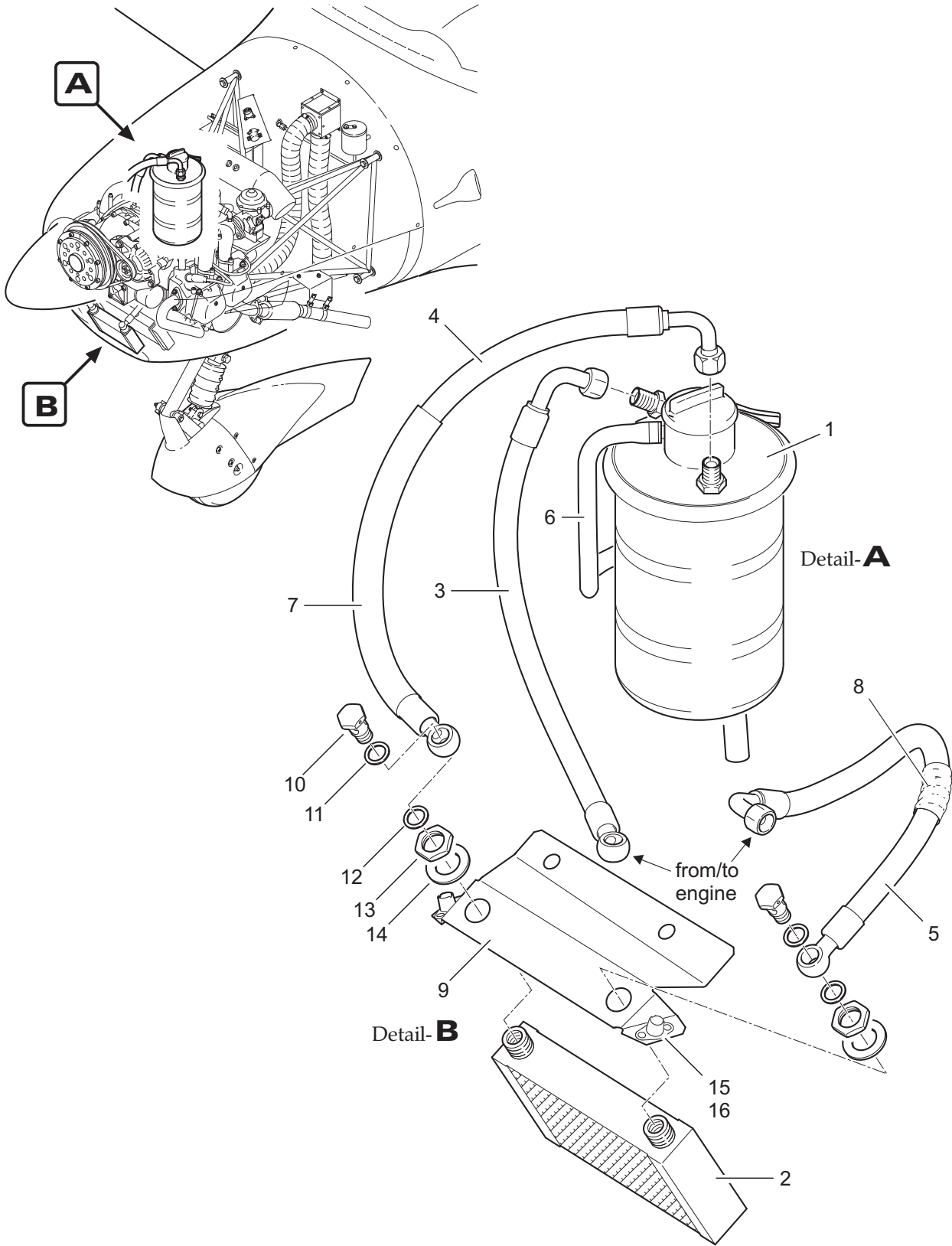
- Item not illustrated

Oil System
Figure 2A

79-00-00

Page 5A

29.04.16



EFFECTIVITY

Cooling system retrofit
SB-AT01-029

Oil System
Figure 2B

79-00-00

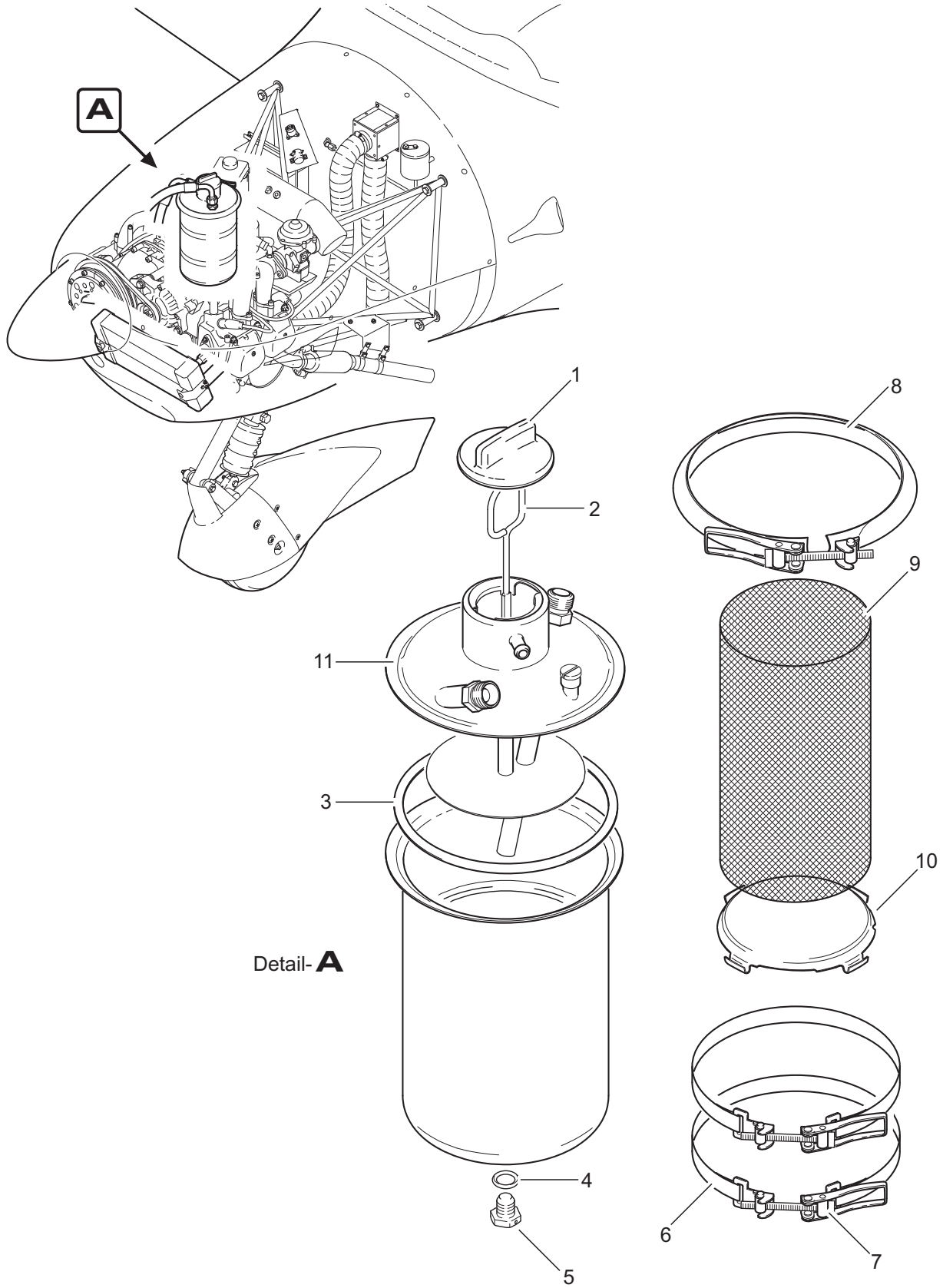
Page 4B

29.04.16

Fig. Item	QTY	Part Number	Nomenclature	Effectivity
2B			Oil System	SB-AT01-029
1	1	AT01-7000-040	oil tank assembly (new version, Rotax P/N: 656865)	
	1	AT01-7000-039	oil tank assembly (old version, Rotax P/N: 956503)	
2	1	AT01-7050-304	oil cooler	(1)
	1	AT01-7050-307	oil cooler (new version)	(1)
3	1	AT01-7000-018	oil hose engine / oil tank	
4	1	AT01-7000-028	oil hose oil tank / oil cooler	
5	1	AT01-7000-027	oil hose oil cooler / engine	
6	1	AT01-4520-427	venting hose oil tank (750mm)	
7	1	AT01-7070-110	heat protection hose (300mm)	
8	1	AT01-4530-280	spiral hose (for 200mm oil hose)	
9	1	AT01-7050-125	cooler mounting bracket	(1)
	1	AT01-7050-149	cooler mounting bracket (new oil cooler)	(1)
10	2	AT01-7050-126	banjo bolt	
11	2	1807603A_16x22	copper sealing (DIN 7603 A 16x22)	
12	2	1807603A_14x22	copper sealing (DIN 7603 A 14x22)	
13	2	AT01-7050-128	nut	
14	2	1800125_23	washer (DIN 125 23x39)	
15	2	AT01-1840-582	Benloc receptacle	
16	4	1807337_3,2x6 ES/ES	rivet (DIN 7337 3,2x6)	
-17	2	AT01-7050-144	spacer sleeve (new oil cooler)	(1)

Notes

- (1) Oil cooler AT01-7050-304 is no longer available and replaced by AT01-7050-307.
 New oil cooler requires a modified mounting bracket and additional spacer sleeves.
 Refer to SI-AT01-018 (annex 18) and Rotax SI-912-024 for further information.

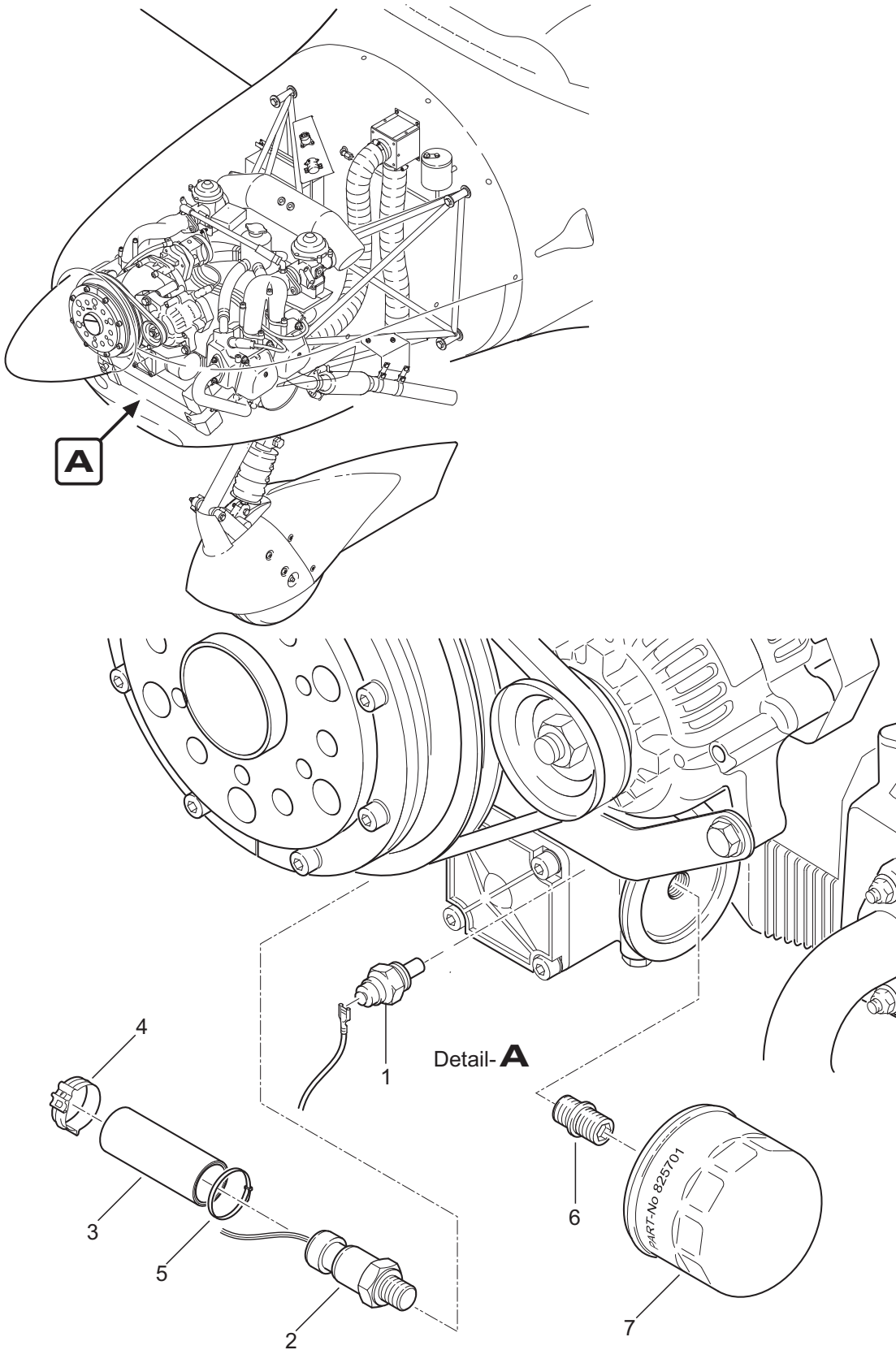


Oil Tank Assembly
Figure 3

Fig. Item	QTY	Part Number	Nomenclature	Effectivity
3			Oil Tank Assembly	
1	1	Ro 974647	oil tank cover	
2	1	Ro 956151	oil dipstick	
3	1	AT01-7080-217	O-ring	
4	1	AT01-7080-216	copper sealing	
5	1	Ro 241403	bolt	
6	2	AT01-1840-700	Normafix steel tape (16mm)	
7	2	AT01-1840-710	Normafix closure	
8	1	Ro 951817	profile clamp	
9	1	Ro 956204	baffle insert	
10	1	Ro 956197	partition 2	
11	1	AT01-7000-141	oil tank cover (new version, oil tank AT01-7000-040 only)	(1)
	1	AT01-7000-142	oil tank cover (old version, oil tank AT01-7000-039 only)	(1)

Notes

(1) Only repaired covers available in exchange for a damaged cover.



Oil Filter / Oil Indicating System
Figure 4

Fig. Item	QTY	Part Number	Nomenclature	Effectivity
4			Oil Filter / Oil Indicating System	
	1	AT01-7050-150	oil temperature sensor	
	-2	AT01-7080-200	oil pressure sensor (Ro 956357 / no longer available / replaced by AT01-2840-168)	101-223
	-2	AT01-2840-168	oil pressure sensor (Ro 956413Z / no longer available / replaced by AT01-7080-201 / refer to SI-AT01-016)	224-253
	2	AT01-7080-201	oil pressure sensor (Ro 456180Z)	
	3	AT01-4520-309	fire sleeve (60mm / only if AT01-7080-201 is installed)	
	4	AT01-4520-463	Cobra hose clamp (only if AT01-7080-201 is installed)	
	5	AT01-4530-941	cable tie (heat resistant / 100x2,5mm / only if AT01-7080-201 is installed)	
	6	Ro 924420	oil filter nipple (up to S/N 4.923.162)	
		Ro 924421	oil filter nipple (from S/N 4.923.163)	
	7	AT01-7080-011	oil filter (Ro 825701)	

- Item not illustrated

Oil Filter / Oil Indicating System
Figure 4

79-00-00

Page 9

29.04.16

