

**TABLE OF CONTENTS**

<u>Cha/Sec/Sub</u>	<u>Title</u>
	TABLE OF CONTENTS
	RECORD OF REVISIONS
	RECORD OF TEMPORARY REVISIONS
	INTRODUCTION
	LIST OF EFFECTIVE CHAPTERS
11	PLACARDS AND MARKINGS
11-00-00	Placards and Markings - General
11-20-00	Exterior Placards & Markings
11-30-00	Interior Placards & Markings
21	VENTILATION & HEATING
21-00-00	Ventilation & Heating - General
24	ELECTRICAL POWER
24-00-00	Electrical Power - General
24-20-00	Alternator System
24-30-00	Battery System
24-60-00	Electrical Load Distribution
25	EQUIPMENT & FURNISHINGS
25-00-00	Equipment & Furnishings - General
25-10-00	Seats
27	FLIGHT CONTROLS
27-10-00	Aileron and Tab
27-20-00	Rudder and Tab
27-30-00	Elevator and Tab
27-31-00	Elevator Trim System
27-50-00	Flaps
28	FUEL
28-00-00	Fuel - General
28-40-00	Fuel - Indicating
31	INDICATING/RECORDING SYSTEMS
31-00-00	Indicating/Recording Systems - General
32	LANDING GEAR
32-10-00	Main Gear
32-20-00	Nose Gear
32-40-00	Wheels & Brakes
33	LIGHTS
33-00-00	Lights - General
33-10-00	Interior Lights
33-40-00	Exterior Lights

**TABLE OF CONTENTS**

<u>Cha/Sec/Sub</u>	<u>Title</u>
55	STABILIZERS
55-00-00	Stabilizers - General
55-20-00	Elevator
55-40-00	Rudder
56	WINDOWS
56-10-00	Canopy
57	WINGS
57-00-00	Wings - General
57-50-00	Flight Surfaces
71	POWERPLANT
71-00-00	Powerplant - General
71-10-00	Cowling
71-20-00	Engine Mount
71-60-00	Engine Air Intake
75	ENGINE COOLING
75-00-00	Engine Cooling - General
76	ENGINE CONTROLS
76-00-00	Engine Controls - General
77	ENGINE INDICATING
77-00-00	Engine Indicating - General
78	EXHAUST
78-00-00	Exhaust - General
79	OIL
79-00-00	Oil - General
96	ACCESSORY
96-00-00	Accessory - General
96-10-00	Special Tools









**LIST OF EFFECTIVE CHAPTERS**

Chapter Title	Date*
<b>GENERAL</b>	
00 Introduction	15.05.20
11 Placards and Markings	15.05.20
<b>AIRFRAME SYSTEMS</b>	
21 Ventilation and Heating	15.05.20
24 Electrical Power	15.05.20
25 Equipment and Furnishings	15.05.20
27 Flight Controls	03.03.14
28 Fuel	04.02.21
31 Indicating/Recording Systems	31.03.16
32 Landing Gear	04.02.21
33 Lights	04.02.21
<b>STRUCTURES</b>	
55 Stabilizers	03.03.14
56 Windows	15.05.20
57 Wings	03.03.14
<b>POWER PLANT</b>	
71 Power Plant	04.02.21
75 Engine Cooling	15.05.20
76 Engine Controls	15.05.20
77 Engine Indicating	15.05.20
78 Exhaust	15.05.20
79 Oil	15.05.20
<b>MISCELLANEOUS</b>	
96 Accessory	15.05.20

\* The date refers to the issue / revision date of the respective chapter.

The technical content of this document (revision A.05) is approved under the authority of the  
DOA ref. EASA.21J.025.

04.02.21  *[Signature]*  
Date, Signature Office of Airworthiness







**AQUILA AT01-100/200**  
**ILLUSTRATED PARTS CATALOG**

---

**CHAPTER 28**

**FUEL**



**TABLE OF CONTENTS**

<u>Title</u> <u>Subject</u>	<u>Chapter</u> <u>Section</u> <u>Subject</u>	<u>Page</u>	<u>Effectivity</u>
FUEL - GENERAL	28-00-00	1	
Fuel - General	28-00-00	2	
Fuel System - Wings	28-00-00	4	
Fuel Selector / Shut-Off Valve Installation	28-00-00	6	
Fuel System - Engine Compartment	28-00-00	8A	Rotax 912S
Fuel System - Engine Compartment	28-00-00	8B	Rotax 914F
Electrical Fuel Pump Installation	28-00-00	10A	Rotax 912S
Electrical Fuel Pump Installation	28-00-00	10B	Rotax 914F
FUEL - INDICATING	28-40-00	1	
Fuel Quantity Indication	28-40-00	2	
Fuel Pressure Indication	28-40-00	4A	AT01-100A/B
Fuel Pressure Indication	28-40-00	4B	AT01-100C
Fuel Pressure Indication	28-40-00	4C	AT01-200C

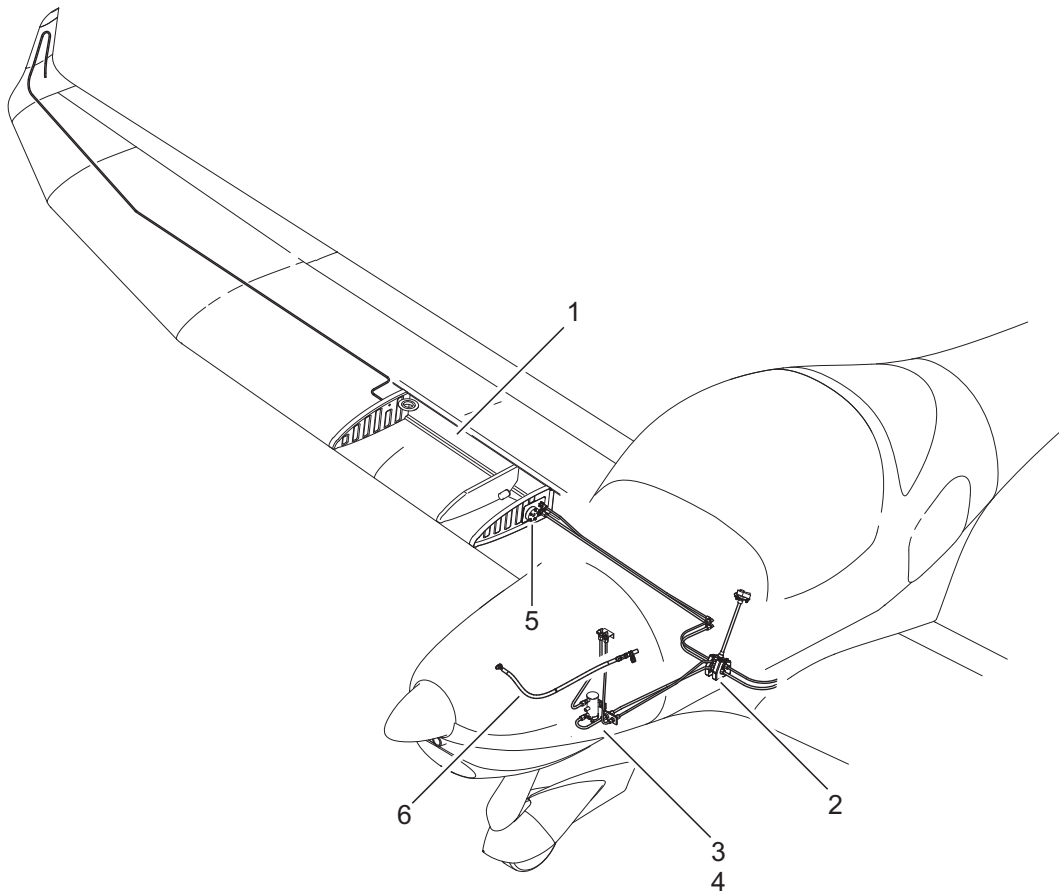




**AQUILA AT01-100/200**  
**ILLUSTRATED PARTS CATALOG**

---

**FUEL**  
**GENERAL**



**NOTE:** Only RH side of system is shown for clarity !

Fig. Item	QTY	Part Number	Nomenclature	Effectivity
1			Fuel - General	
1			Fuel System - Wings (refer to 28-00-00, figure 2 for details)	
2			Fuel Selector / Shut-Off Valve Installation (refer to 28-00-00, figure 3 for details)	
3			Fuel System - Engine Compartment (refer to 28-00-00, figure 4A for details)	Rotax 912S
-3			Fuel System - Engine Compartment (refer to 28-00-00, figure 4B for details)	Rotax 914F
4			Electrical Fuel Pump Installation (refer to 28-00-00, figure 5A for details)	Rotax 912S
-4			Electrical Fuel Pump Installation (refer to 28-00-00, figure 5B for details)	Rotax 914F
5			Fuel Quantity Indication (refer to 28-40-00, figure 1 for details)	
-6			Fuel Pressure Indication (refer to 28-40-00, figure 2A for details)	AT01-100A/B
6			Fuel Pressure Indication (refer to 28-40-00, figure 2B for details)	AT01-100C
-6			Fuel Pressure Indication (refer to 28-40-00, figure 2C for details)	AT01-200C

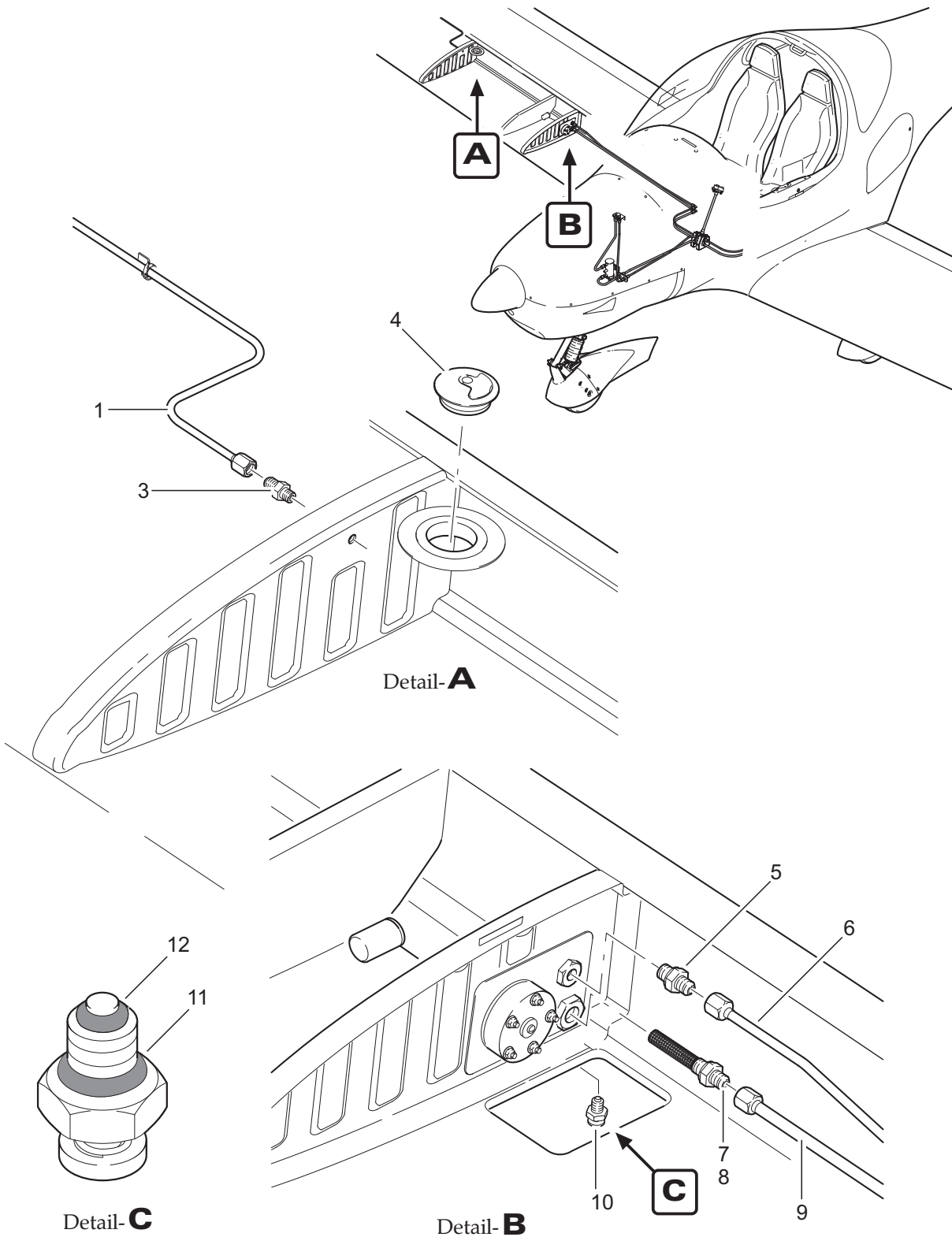
- Item not illustrated

Fuel - General  
Figure 1

**28-00-00**

Page 3

04.02.21



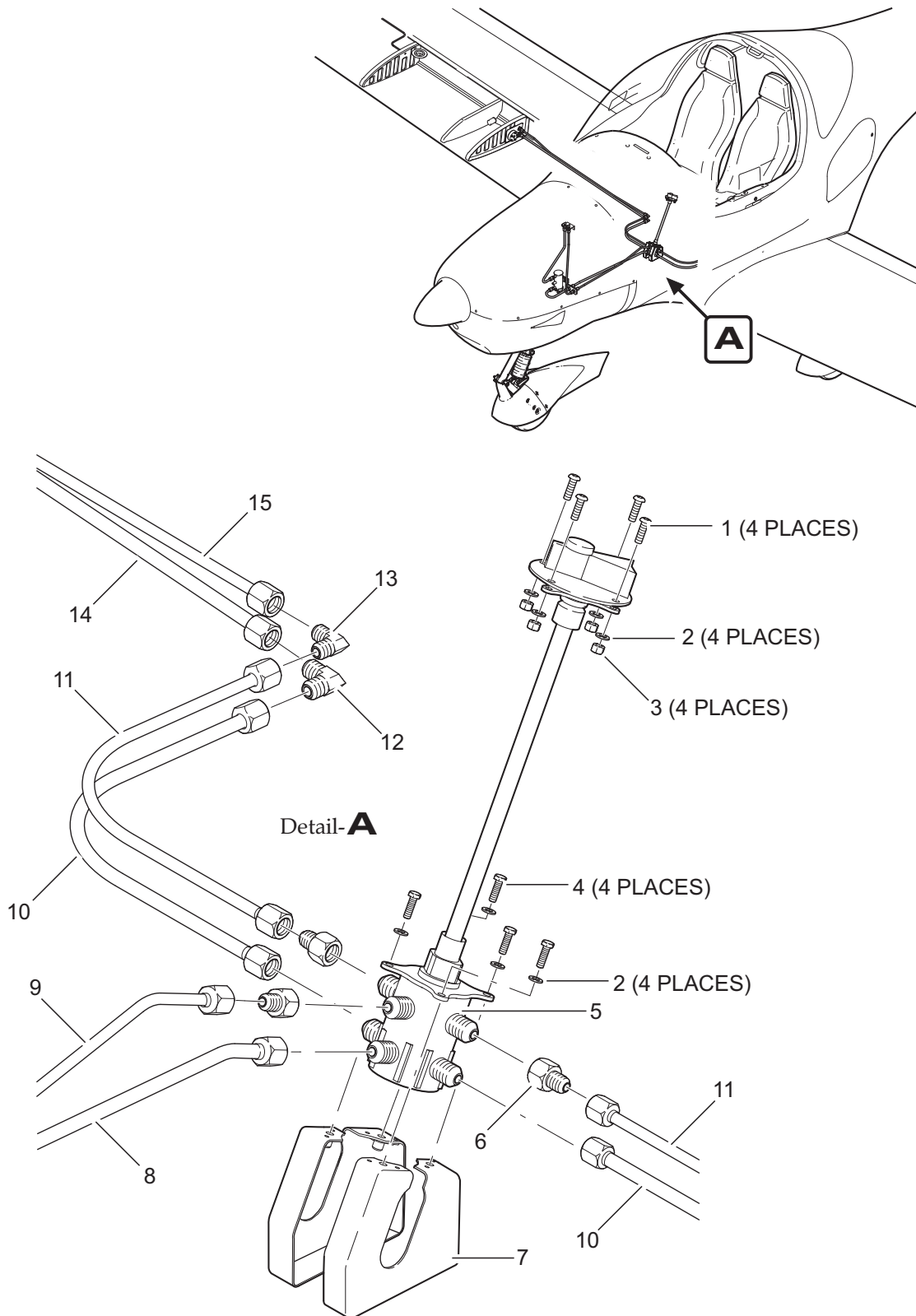
Fuel System - Wings  
Figure 2



Fig. Item	QTY	Part Number	Nomenclature	Effectivity
2			Fuel System - Wings	
1	1	AT01-8030-003	fuel tank ventilation line RH	
-2	1	AT01-8030-004	fuel tank ventilation line LH	
3	1	AT01-4520-216	fitting 1/8" BSPP	
4	1	AT01-4010-106	fuel filler cap	
5	1	AT01-4520-211	fitting 1/4" BSPP	Rotax 912S <sup>2)</sup>
		AT01-4520-368	fitting 1/4" BSPP	Rotax 914F <sup>2)</sup>
6	1	AT01-8020-003	fuel return line wing	Rotax 912S <sup>2)</sup>
		AT01-8020-022	fuel return line wing	Rotax 914F <sup>2)</sup>
7	1	AT01-8010-003	finger strainer	300-326
		AT01-8010-119	finger strainer NPT (requires item 8)	327-999
8	1	AT01-4520-325	fitting 1/4" NPT (required only for finger strainer NPT)	327-999
9	1	AT01-8010-004	fuel supply line wing	300-326
		AT01-8010-023	fuel supply line wing	327-999
10	1	AT01-8010-012 STND	drain valve (standard version <sup>1)</sup> / including gaskets)	
		AT01-8010-012 LONG	drain valve (optional long version <sup>1)</sup> / including gaskets)	
11	1	AT01-8010-116	gasket (included in drain valve)	
12	1	AT01-8010-115	gasket (included in drain valve)	

<sup>1)</sup> Refer to SI-AT01-018 (annex 8) for further information.

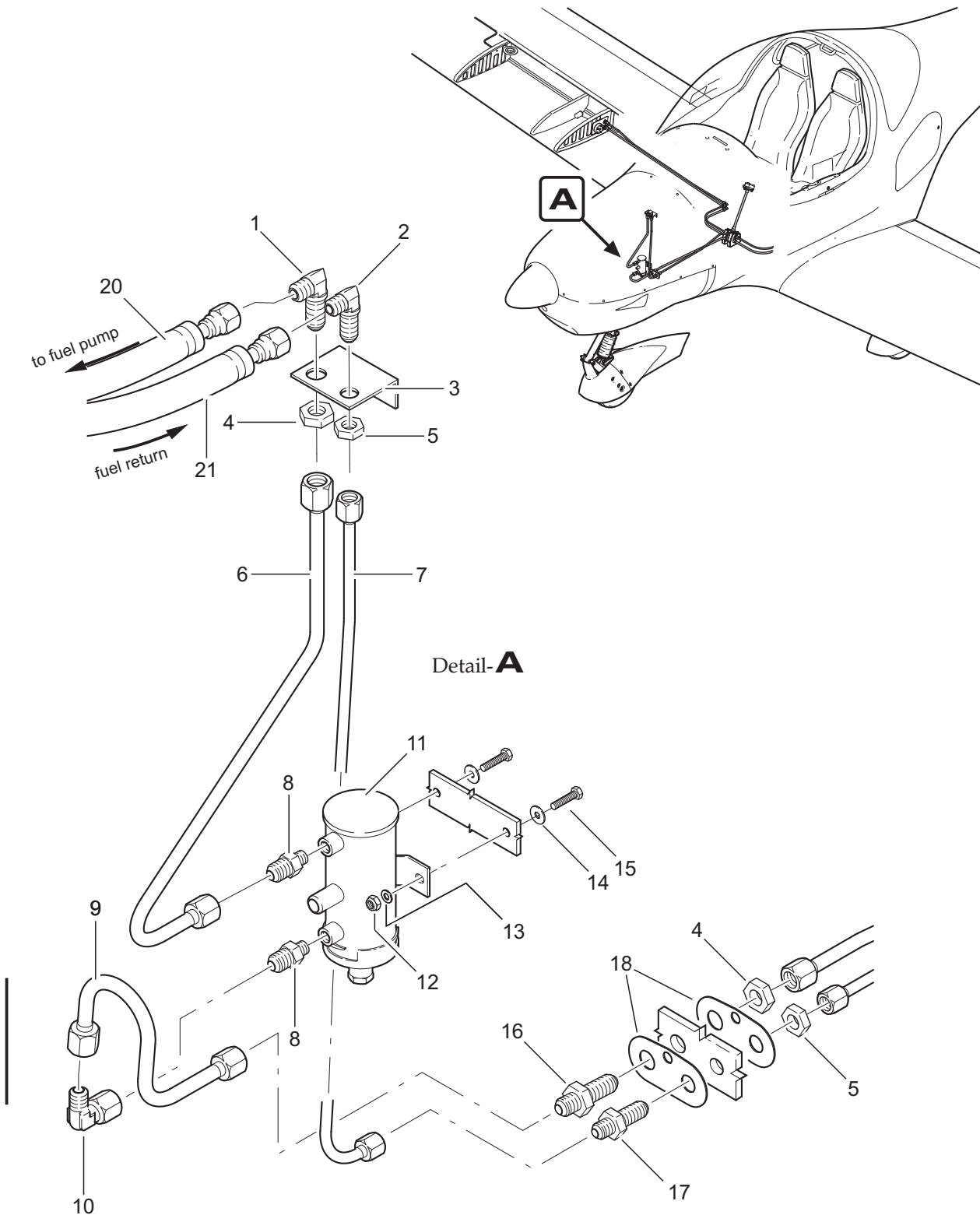
<sup>2)</sup> S/N 367,370,371,374,379: Refer to SB-AT01-036 for further information.



Fuel Selector / Shut-Off Valve Installation  
Figure 3

Fig. Item	QTY	Part Number	Nomenclature	Effectivity
3			Fuel Selector / Shut-Off Valve Installation	
1	4	1807380_M5x16	bolt (ISO 7380 M5x16)	
2	8	1800125_5,3	washer (ISO 7089 5,3x10)	
3	4	1800985_M5	locknut (ISO 10511 M5)	
4	4	1800933_M5x12	bolt (ISO 4017 M5x12 8.8)	
5	1	AT01-8010-101	fuel selector valve	
6	3	AT01-4520-240	reducer (size 6 to size 5)	Rotax 912S <sup>1)</sup>
7	1	AT01-2120-009	mounting bracket (for fuel selector valve)	
8	1	AT01-8010-009	fuel supply line front	Rotax 912S
		AT01-8010-013	fuel supply line selector / pumps	Rotax 914F
9	1	AT01-8020-005	fuel return line front	Rotax 912S <sup>1)</sup>
		AT01-8020-024	fuel return line front	Rotax 914F <sup>1)</sup>
10	2	AT01-8010-005	fuel supply line center	
11	2	AT01-8020-004	fuel return line center	Rotax 912S <sup>1)</sup>
		AT01-8020-023	fuel return line center	Rotax 914F <sup>1)</sup>
12	1	AT01-4520-153	elbow fitting (size 6)	
13	1	AT01-4520-154	elbow fitting (size 5)	Rotax 912S <sup>1)</sup>
		AT01-4520-153	elbow fitting (size 6)	Rotax 914F <sup>1)</sup>
14	1	AT01-8010-004	fuel supply line wing	300 - 326
		AT01-8010-023	fuel supply line wing	327 - 999
15	1	AT01-8020-003	fuel return line wing	Rotax 912S <sup>1)</sup>
		AT01-8020-022	fuel return line wing	Rotax 914F <sup>1)</sup>
-16	2	AT01-8010-124	universal joint (for fuel selector valve / optional)	

<sup>1)</sup>S/N 367,370,371,374,379: Refer to SB-AT01-036 for further information.



**EFFECTIVITY**

Aircraft equipped  
with Rotax 912S

Fuel System - Engine Compartment  
Figure 4A

**28-00-00**

Fig. Item	QTY	Part Number	Nomenclature	Effectivity
4A			Fuel System - Engine Compartment	Rotax 912S
1	1	AT01-4520-221	elbow fitting (size 6)	
2	1	AT01-4520-220	elbow fitting (size 5)	
3	1	AT01-8000-101	support bracket	
4	2	AT01-4520-229	nut (included in item 1 / 16)	
5	2	AT01-4520-227	nut (included in item 2 / 17)	
6	1	AT01-8010-008	fuel supply line fuel pump top	
7	1	AT01-8020-006	fuel return line firewall	
8	2	AT01-4520-236	fitting 1/8" NPTF (size 6)	
9	1	AT01-8010-007	fuel supply line fuel pump bottom	
10	1	AT01-4520-161	elbow fitting (size 6)	
11	1	AT01-8010-011	electrical fuel pump assy (refer to figure 5A)	
12	2	1800985_M6	locknut (ISO 10511 M6)	
13	2	1800125_6,4	washer (ISO 7089 6,4x12)	
14	2	1809021_6,4	washer (DIN 9021 6,4x18)	
15	2	1800933_M6x30	bolt (ISO 4017 M6x30 8.8)	
16	1	AT01-4520-224	bulkhead fitting (size 6)	
17	1	AT01-4520-223	bulkhead fitting (size 5)	
18	2	AT01-2120-155	shim	
19	-	-	-	
20	1	AT01-7080-396	fuel supply hose (part of fuel pump assy AT01-7080-396)	
21	1	AT01-8020-007	fuel return hose	
- 22	1	AT01-7080-396	mechanical fuel pump assy ROTAX	

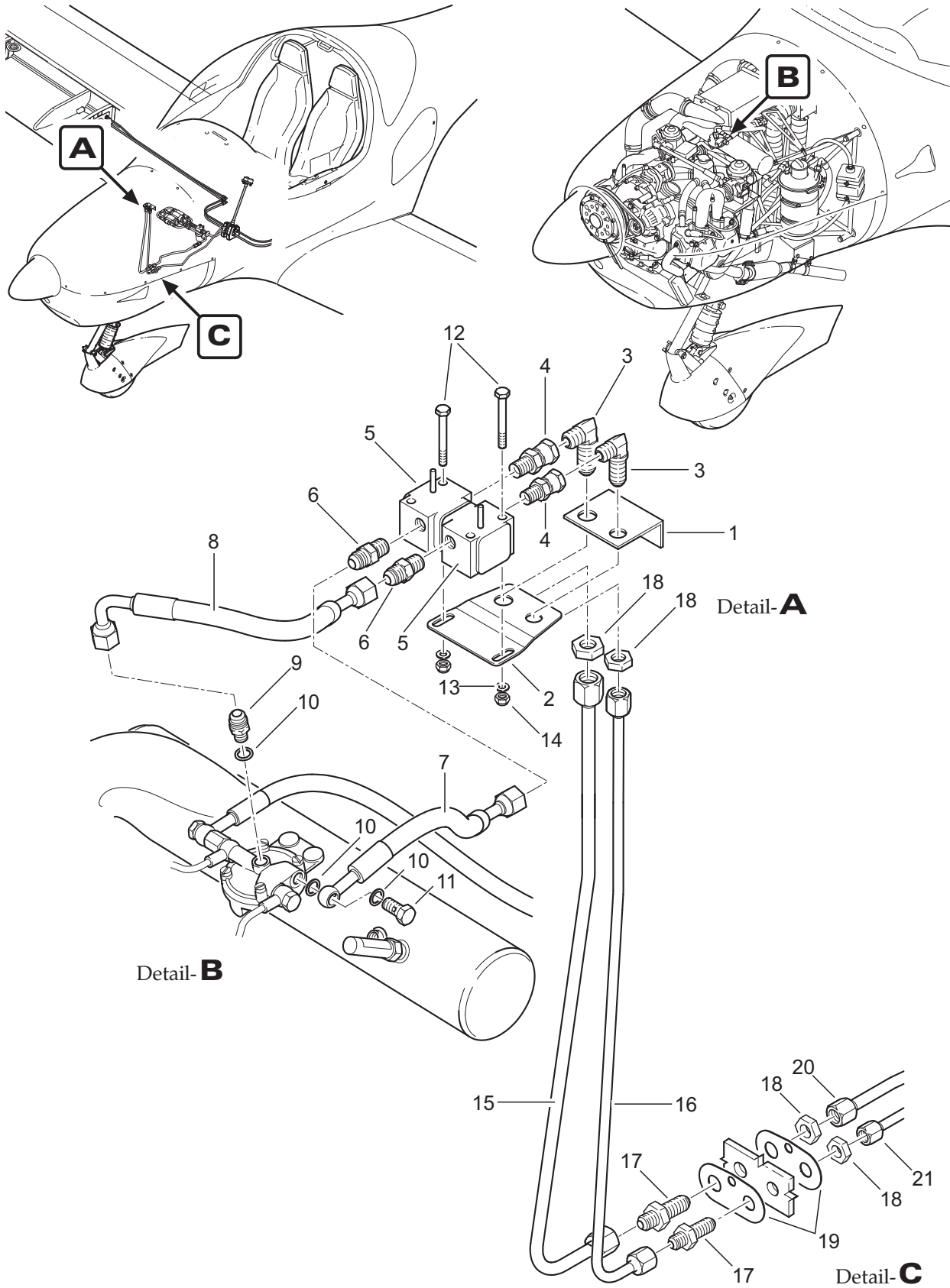
- Item not illustrated

Fuel System - Engine Compartment  
Figure 4A

**28-00-00**

Page 9A

04.02.21



**EFFECTIVITY**

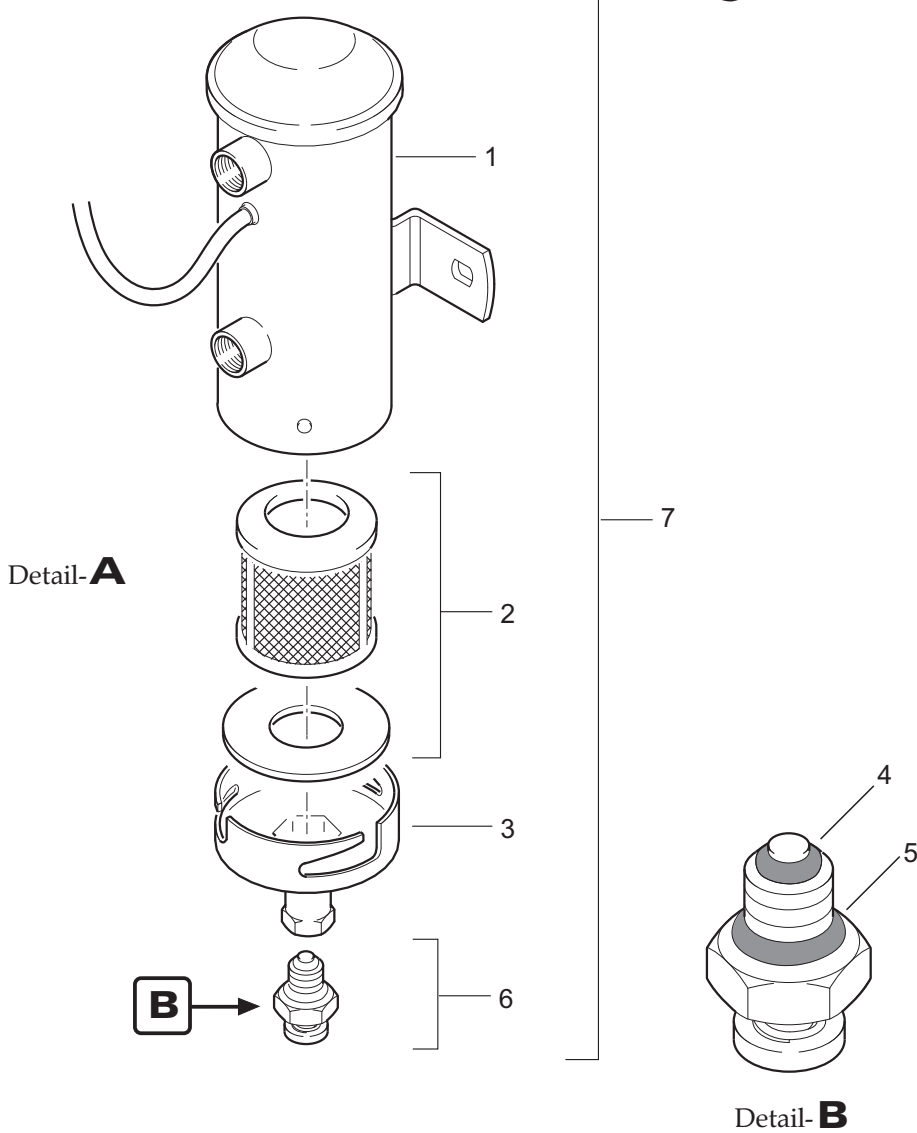
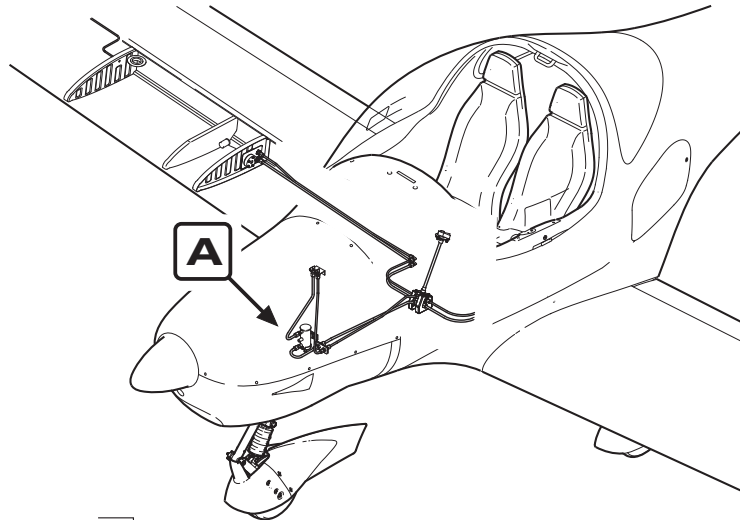
Aircraft equipped  
with Rotax 914F

Fuel System - Engine Compartment  
Figure 4B

**28-00-00**

Fig. Item	QTY	Part Number	Nomenclature	Effectivity
4B			Fuel System - Engine Compartment	Rotax 914F
1	1	AT01-8000-106	mounting bracket	<sup>1)</sup>
2	1	AT01-8000-107	mounting bracket	<sup>1)</sup>
3	2	AT01-4520-221	elbow fitting (size 6)	<sup>1)</sup>
4	2	AT01-4520-323	adapter (size 6 - 1/4"NPT)	<sup>1)</sup>
5	2	AT01-8040-102	fuel flow transducer	
6	2	AT01-4520-325	adapter (size 6 - 1/4"NPT)	
7	1	AT01-8010-017	fuel supply hose	
8	1	AT01-8020-010	fuel return hose	
9	1	AT01-7080-159	adapter (size 6 - M10x1)	
10	3	AT01-7080-160	sealing washer	
11	1	AT01-7080-157	banjo bolt	
12	2	1800931_M6x50	bolt (ISO 4014 M6x50 8.8)	
13	2	1800125_6,4	washer (ISO 7089 6,4x12)	
14	2	1800985_M6	locknut (ISO 10511 M6)	
15	1	AT01-8010-015	fuel supply line firewall	
16	1	AT01-8020-025	fuel return line firewall	<sup>1)</sup>
17	2	AT01-4520-224	bulkhead fitting (size 6)	<sup>1)</sup>
18	4	AT01-4520-229	nut (included in item 3 / 17)	<sup>1)</sup>
19	2	AT01-2120-156	shim	<sup>1)</sup>
20	1	AT01-8010-014	fuel supply line pumps / firewall 2	
21	1	AT01-8020-024	fuel return line front	<sup>1)</sup>

<sup>1)</sup>S/N 367,370,371,374,379: Refer to SB-AT01-036 for further information.



**EFFECTIVITY**

Aircraft equipped  
with Rotax 912S

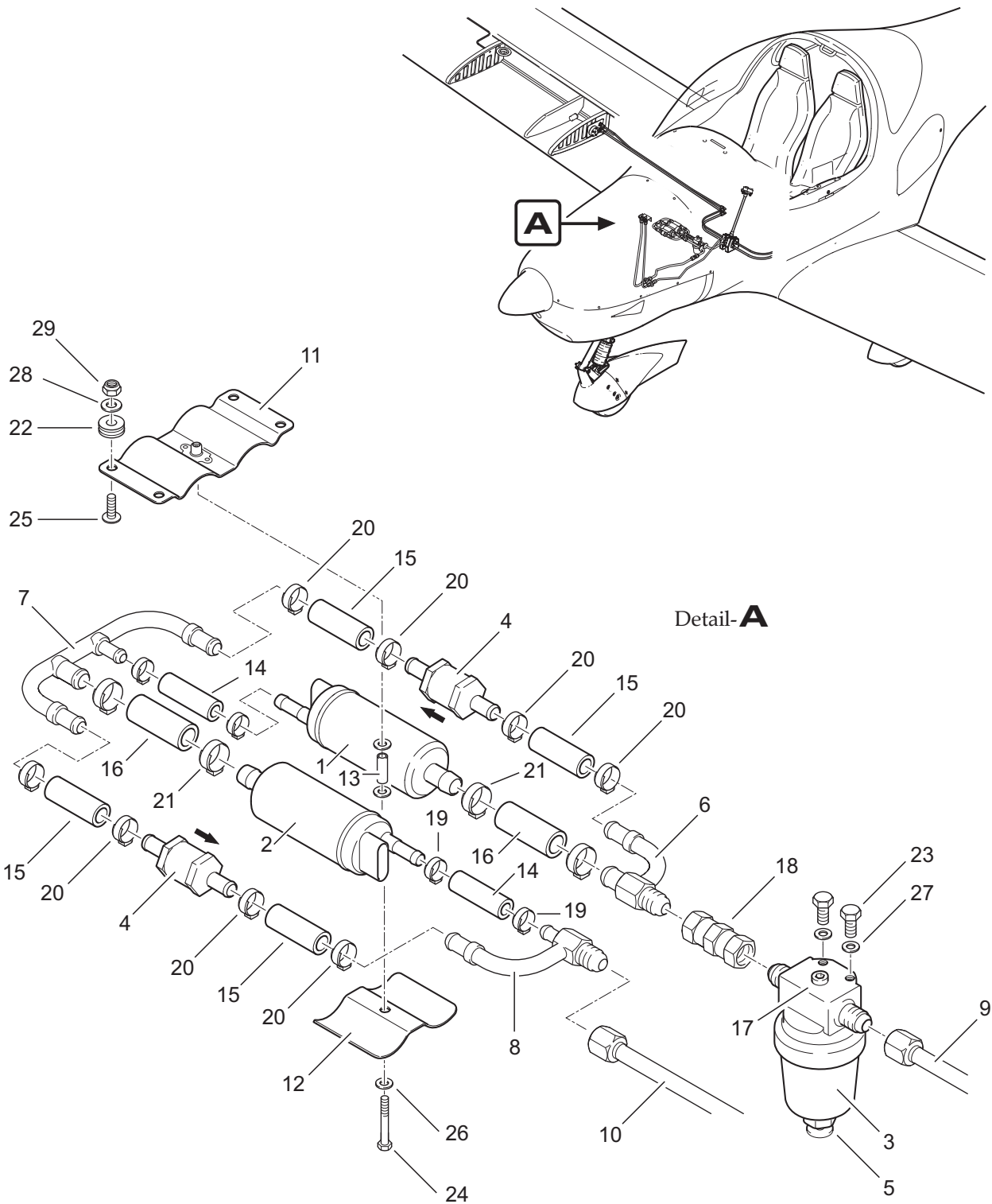
Electrical Fuel Pump Installation  
Figure 5A

**28-00-00**



Fig. Item	QTY	Part Number	Nomenclature	Effectivity
5A			Electrical Fuel Pump Installation	Rotax 912S
1	1	AT01-8010-098	electrical fuel pump (w/o cap, with e-connector)	
2	1	AT01-8010-114	filter and gasket	
3	1	AT01-8010-010	electrical fuel pump cap	
4	1	AT01-8010-115	gasket (included in drain valve)	
5	1	AT01-8010-116	gasket (included in drain valve)	
6	1	AT01-8010-012 STND	drain valve (standard version <sup>1)</sup> / including gaskets)	
		AT01-8010-012 LONG	drain valve (optional long version <sup>1)</sup> / including gaskets)	
7	1	AT01-8010-011	electrical fuel pump assy	

<sup>1)</sup>Refer to SI-AT01-018 (annex 8) for further information.



Detail-**A**

**EFFECTIVITY**  
 Aircraft equipped  
 with Rotax 914F

Electrical Fuel Pump Installation  
 Figure 5B

Fig. Item	QTY	Part Number	Nomenclature	Effectivity
5B			Electrical Fuel Pump Installation	Rotax 914F
1	1	AT01-8010-128	MAIN fuel pump	
2	1	AT01-8010-129	AUX fuel pump	
3	1	AT01-8010-145	gascolator	
	1	AT01-8010-152	O-ring (included in AT01-8010-145)	
	1	AT01-8010-153	fuel filter (included in AT01-8010-145)	
4	2	AT01-8010-126	check valve	
5	1	AT01-8010-147	drain valve CAV-110	
6	1	AT01-8010-030	fuel line 1	
7	1	AT01-8010-031	fuel line 2	
8	1	AT01-8010-032	fuel line 3	
9	1	AT01-8010-013	fuel supply line selector / pumps	
10	1	AT01-8010-022	fuel supply line pumps / firewall 1	
11	1	AT01-8010-143	upper fuel pump mounting bracket	
	1	18029679M5	rivet nut (LN 29679 M5 / included in AT01-8010-143)	
	2	1807337_2,4x6 Al/St	rivet (ISO 15984 2,4x6 Al/St / included in AT01-8010-143)	
12	1	AT01-8010-144	lower fuel pump mounting bracket	
13	1	AT01-8010-154	spacer sleeve	
14	2	AT01-4520-400	fuel hose (DIN 73379 7,3x3 type 3E / 50 mm)	
15	4	AT01-4520-401	fuel hose (DIN 73379 9,3x3 type 3E / 50 mm)	
16	2	AT01-4520-402	fuel hose (DIN 73379 11,3x3,3 type 3E / 50 mm)	
17	1	AT01-8010-146	plug 1/8" NPT	
18	1	AT01-4520-176	straight connector 9/16" UNF (female)	
19	4	4520_1OHR_D15,5	hose clamp (12,8 - 14,8 mm / for hose AT01-4520-400)	
20	8	4520_1OHR_D17,5	hose clamp (14,6 - 16,8 mm / for hose AT01-4520-401)	
21	4	4520_1OHR_D21,0	hose clamp (18,0 - 20,3 mm / for hose AT01-4520-402)	
22	4	AT01-4520-331	grommet (AN931-4-7)	
23	2	122630	bolt (1/4" UNF x 1/2")	
24	1	1800931_M5x35	bolt (ISO 4014 M5x35 8.8)	
25	4	1807380_5x16 ULF	bolt (ISO 7380 M5x16)	
26	3	1800125_5,3	washer (ISO 7089 5,3x10)	
27	2	1800125_6,4	washer (ISO 7089 6,4x12)	
28	4	1809021_5,3	washer (ISO 7093 5,3x15)	
29	4	1800985_M5	locknut (ISO 10511 M5)	
<u>Fuel Pump Compartment:</u>				
-30	1	AT01-2110-018	compartment cover (211 LT)	
	6	1807380_4x14 ULS	bolt (ISO 7380 M4x14 / attachment of AT01-2110-018)	
	6	1809021_4,3	washer (ISO 7093 4,3x12 / attachment of AT01-2110-018)	
-31	1	AT01-2110-020	lower compartment access plate (210 BB)	
	4	1807380_5x16 ULF	bolt (ISO 7380 M5x16 / attachment of AT01-2110-020)	

- Item not illustrated

Electrical Fuel Pump Installation  
Figure 5B

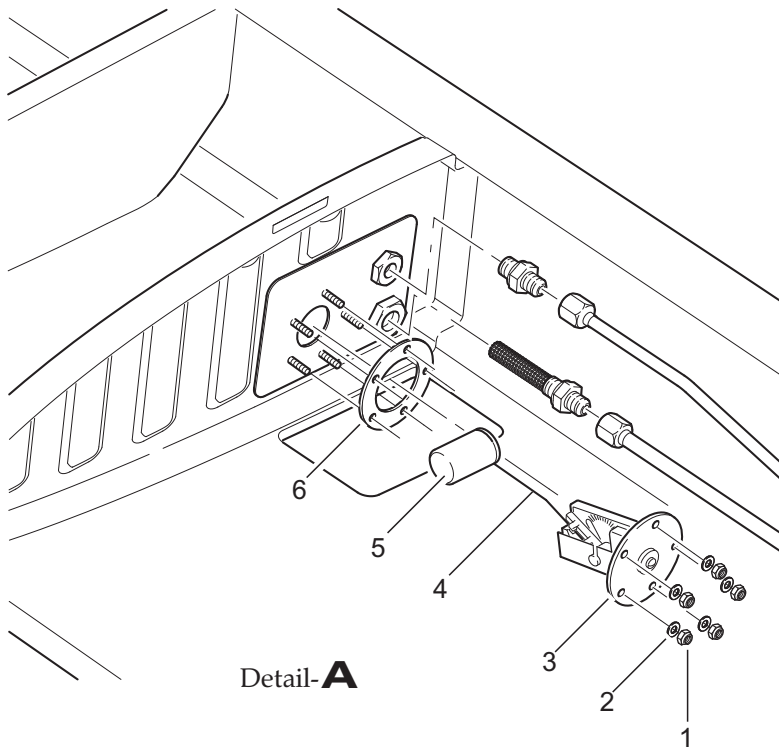
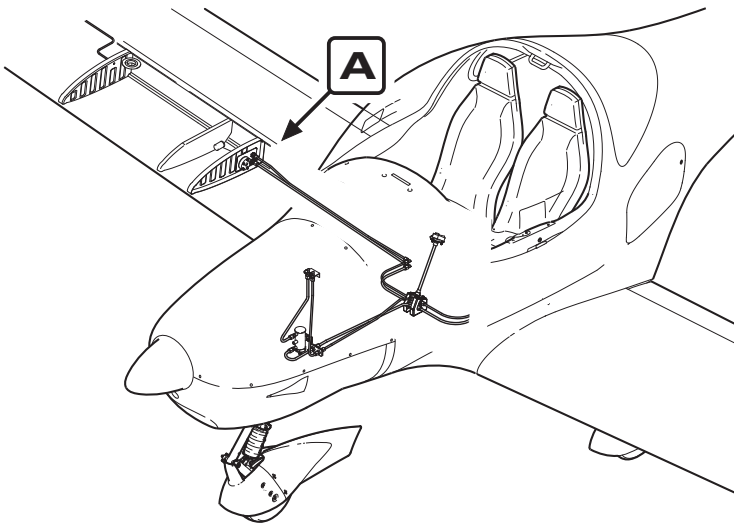
**28-00-00**

Page 11B

04.02.21



**FUEL**  
**INDICATING**



Fuel Quantity Indication  
Figure 1

Fig. Item	QTY	Part Number	Nomenclature	Effectivity
1			Fuel Quantity Indication	
1	5	1800985_M5	locknut (ISO 10511 M5)	
2	5	1800125_5,3	washer (ISO 7089 5,3x10)	
3	1	AT01-8030-174	fuel level sender RH	
4	1	AT01-8030-178	lever / shepherds crook (for use without calibration module <sup>1)</sup> )	300 - 326
		AT01-8030-186	lever / shepherds crook (for use with calibration module <sup>1)</sup> )	300 - 326
		AT01-8030-187	lever / shepherds crook	327 - 999
5	1	AT01-8030-179	float	
6	1	AT01-8030-111	gasket	
-7	1	AT01-8030-173	fuel level sender LH	

<sup>1)</sup>The calibration module is installed on the back of the fuel gauge. Refer to 77-00-00 and SI-AT01-018 (annex 12) for further information. (If a MVP-50 / G3X is installed, no calibration module is needed.)

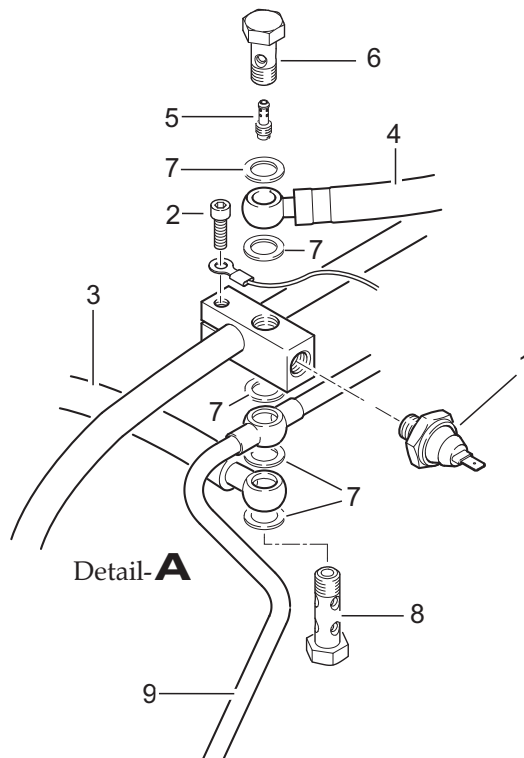
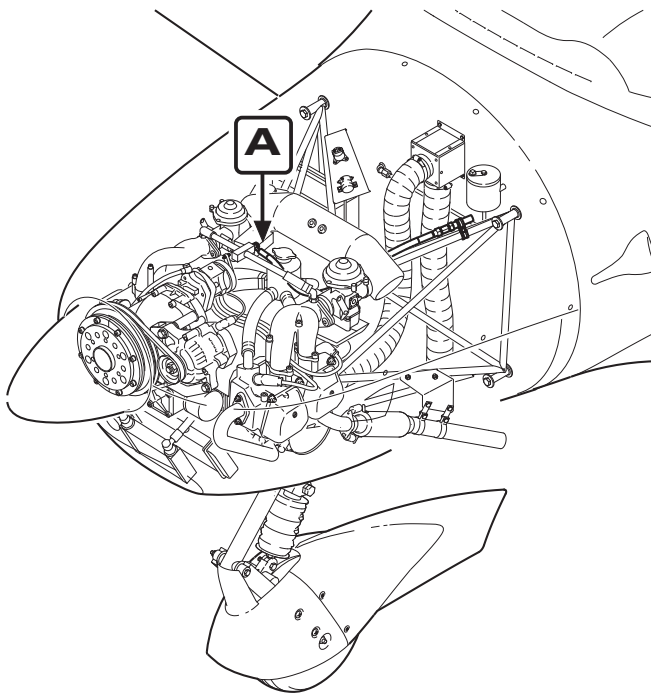




Fig. Item	QTY	Part Number	Nomenclature	Effectivity
2A			Fuel Pressure Indication	AT01-100A/B
1	1	AT01-7030-200	fuel pressure sensor	.
2	1	1800912_M5x16	bolt (ISO 4762 M5x16 8.8)	
3	1	AT01-7080-396	fuel supply hose (part of fuel pump assy AT01-7080-396)	
4	1	AT01-8020-007	fuel return hose	
5	1	AT01-7050-108	restricting orifice (0,25mm)	
		AT01-8020-104	restricting orifice (0,20mm / optional / refer to SI-AT01-018 annex 11)	
6	1	Ro 941785	banjo bolt	
7	5	Ro 950143	gasket	
8	1	Ro 940872	banjo bolt	
9	1	Ro 874911	fuel hose	

- Item not illustrated

Fuel Pressure Indication  
Figure 2A

**28-40-00**

Page 5A

04.02.21

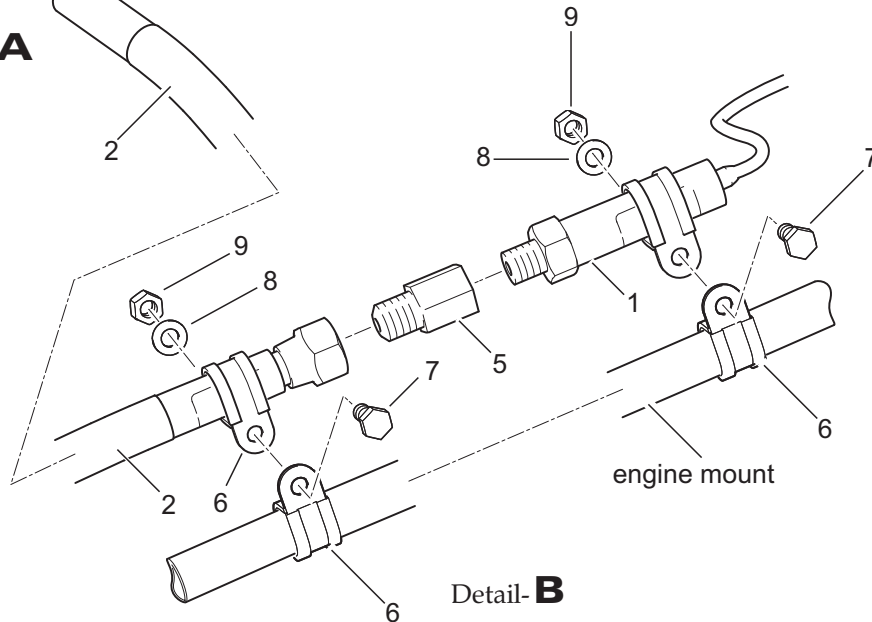
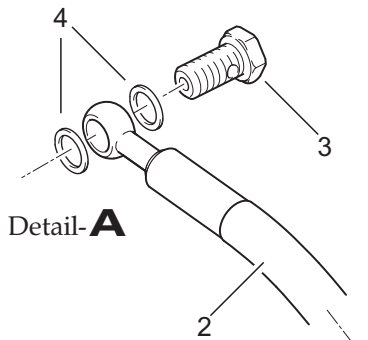
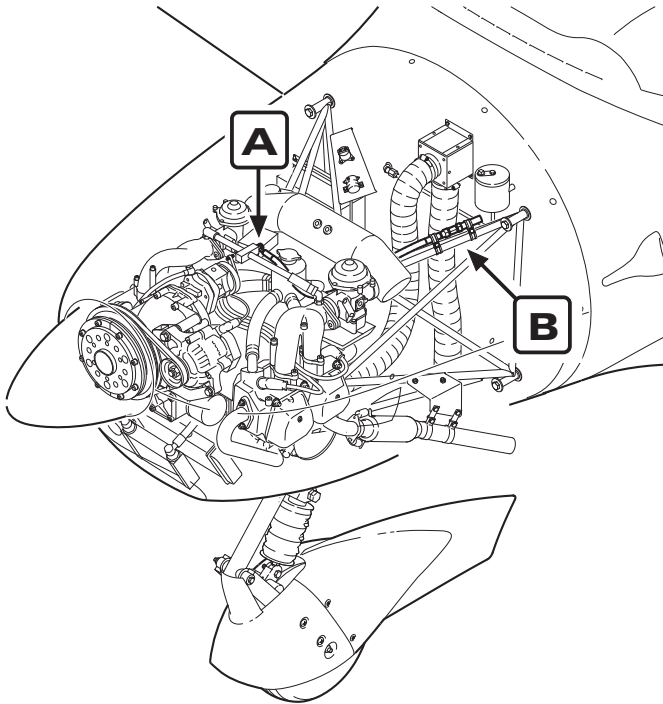


Fig. Item	QTY	Part Number	Nomenclature	Effectivity
2B			Fuel Pressure Indication	AT01-100C
1	1	AT01-2840-208	fuel pressure transducer PT-30GA	
2	1	AT01-7030-004	fuel hose fuel manifold / pressure transducer	
3	1	AT01-7030-209	restricting orifice	
4	2	1807603A_10x13,5x1_Al	sealing washer (aluminium / DIN 7603 A 10x13,5x1)	
5	1	AT01-4520-311	fitting 7/16" UNF - 1/8" NPT	
6	3	AT01-4520-499	pipe clamp	
7	2	1800933_M5x14	bolt (ISO 4017 M5x14 8.8)	
8	2	1800125_5,3	washer (ISO 7089 5,3x10)	
9	2	1800985_M5	locknut (ISO 10511 M5)	

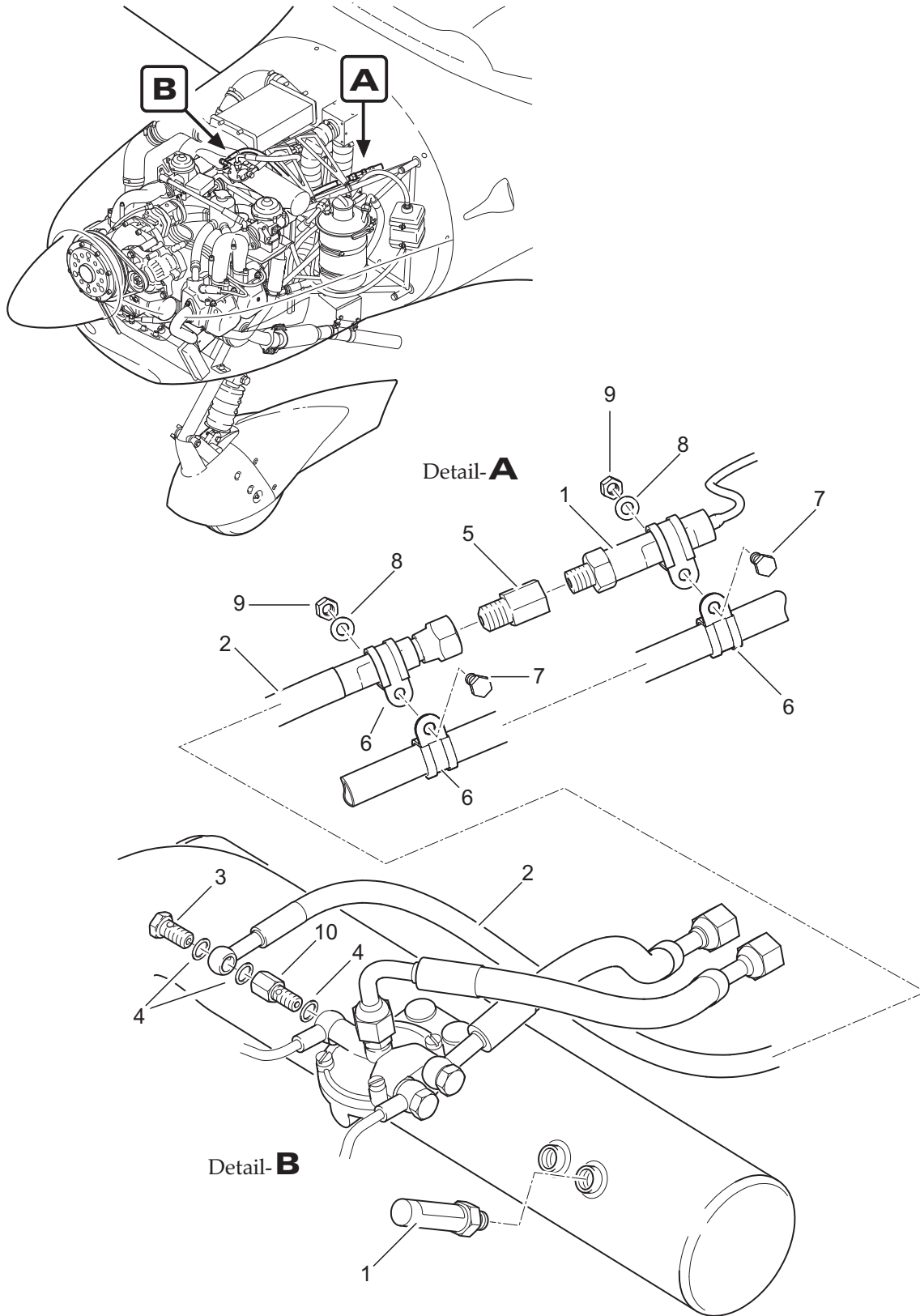
- Item not illustrated

Fuel Pressure Indication  
Figure 2B

**28-40-00**

Page 5B

04.02.21



**EFFECTIVITY**

AT01-200C

Fuel Pressure Indication  
Figure 2C

**28-40-00**

Page 4C

04.02.21

Fig. Item	QTY	Part Number	Nomenclature	Effectivity
2C			Fuel Pressure Indication	AT01-200C
1	2	AT01-2840-208	fuel pressure transducer PT-30GA	
2	1	AT01-7030-007	fuel hose pressure transducer	
3	1	AT01-7030-209	restricting orifice	
4	3	AT01-7080-160	sealing washer	
5	1	AT01-4520-311	fitting 7/16" UNF - 1/8" NPT	
6	3	AT01-4520-499	pipe clamp	
7	2	1800933_M5x14	bolt (ISO 4017 M5x14 8.8)	
8	2	1800125_5,3	washer (ISO 7089 5,3x10)	
9	2	1800985_M5	locknut (ISO 10511 M5)	
10	1	AT01-7030-211	adapter	

- Item not illustrated

Fuel Pressure Indication  
Figure 2C

**28-40-00**

Page 5C

04.02.21





**AQUILA AT01-100/200**  
**ILLUSTRATED PARTS CATALOG**

---

**CHAPTER 32**  
**LANDING GEAR**





**TABLE OF CONTENTS**

<u>Title</u> <u>Subject</u>	<u>Chapter</u> <u>Section</u> <u>Subject</u>	<u>Page</u>	<u>Effectivity</u>
MAIN GEAR	32-10-00	1	
Main Gear - General	32-10-00	2	
Main Gear Fairing Installation	32-10-00	4A	“High Speed”
Main Gear Fairing Installation	32-10-00	4B	“Soft Field”
Main Gear Leg Installation	32-10-00	6	
Main Gear Wheel Installation	32-10-00	8A	Beringer
Main Gear Wheel Installation	32-10-00	8B	Cleveland/Grove
Main Gear Leg Protection	32-10-00	10	
NOSE GEAR	32-20-00	1	
Nose Gear - General	32-20-00	2	
Nose Gear Fairing Installation	32-20-00	4A	“High Speed”
Nose Gear Fairing Installation	32-20-00	4B	“Soft Field”
Nose Gear Strut Installation	32-20-00	6	
Nose Gear Strut Installation	32-20-00	8	
Nose Gear Fork/Damper Installation	32-20-00	10	
Damper Assembly	32-20-00	12A	AT01-100
Damper Assembly	32-20-00	12B	AT01-200
Nose Gear Wheel Installation	32-20-00	14A	Beringer
Nose Gear Wheel Installation	32-20-00	14B	Cleveland/Grove
WHEELS & BRAKES	32-40-00	1	
Wheels & Brakes - General	32-40-00	2	
Wheel Assembly	32-40-00	4A	Ber. RF-005/RA-002
Wheel Assembly	32-40-00	4B	Ber. RF-018/RA-014
Wheel Assembly	32-40-00	4C	Cleveland/Grove
Brake System Installation - Front	32-40-00	6A	Beringer
Brake System Installation - Front	32-40-00	6B	Cleveland/Grove
Brake System Installation - Rear	32-40-00	8A	Beringer
Brake System Installation - Rear	32-40-00	8B	Cleveland/Grove
Brake Caliper Installation	32-40-00	10A	Beringer
Brake Caliper Installation	32-40-00	10B	Cleveland/Grove



**MAIN GEAR**

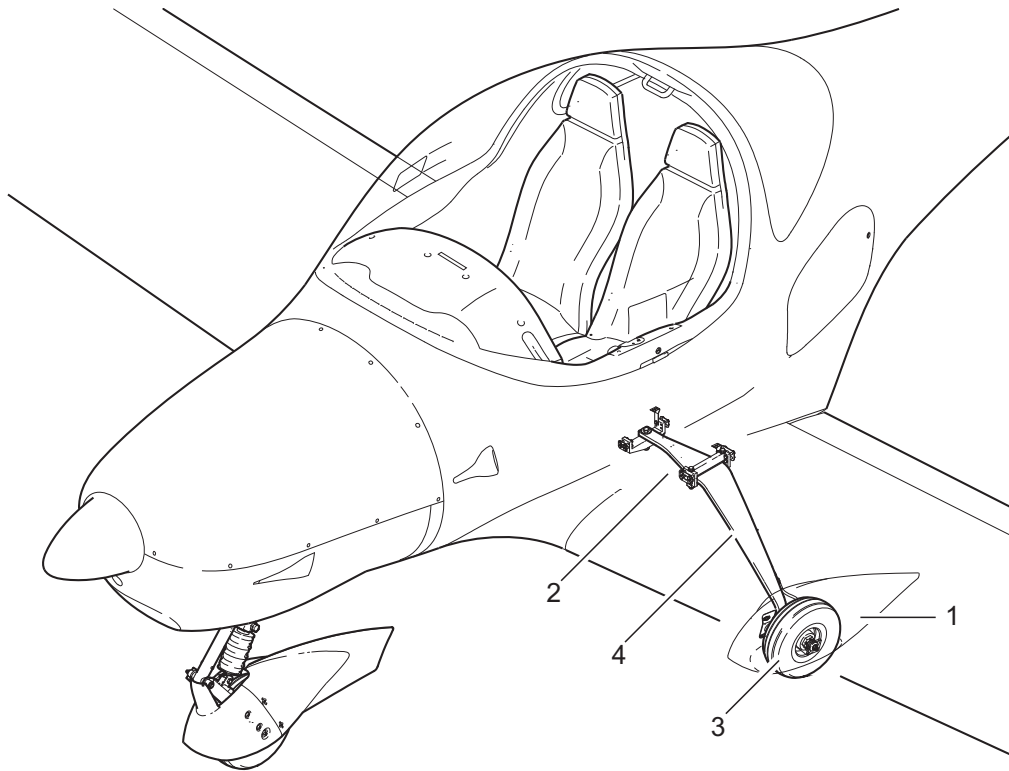
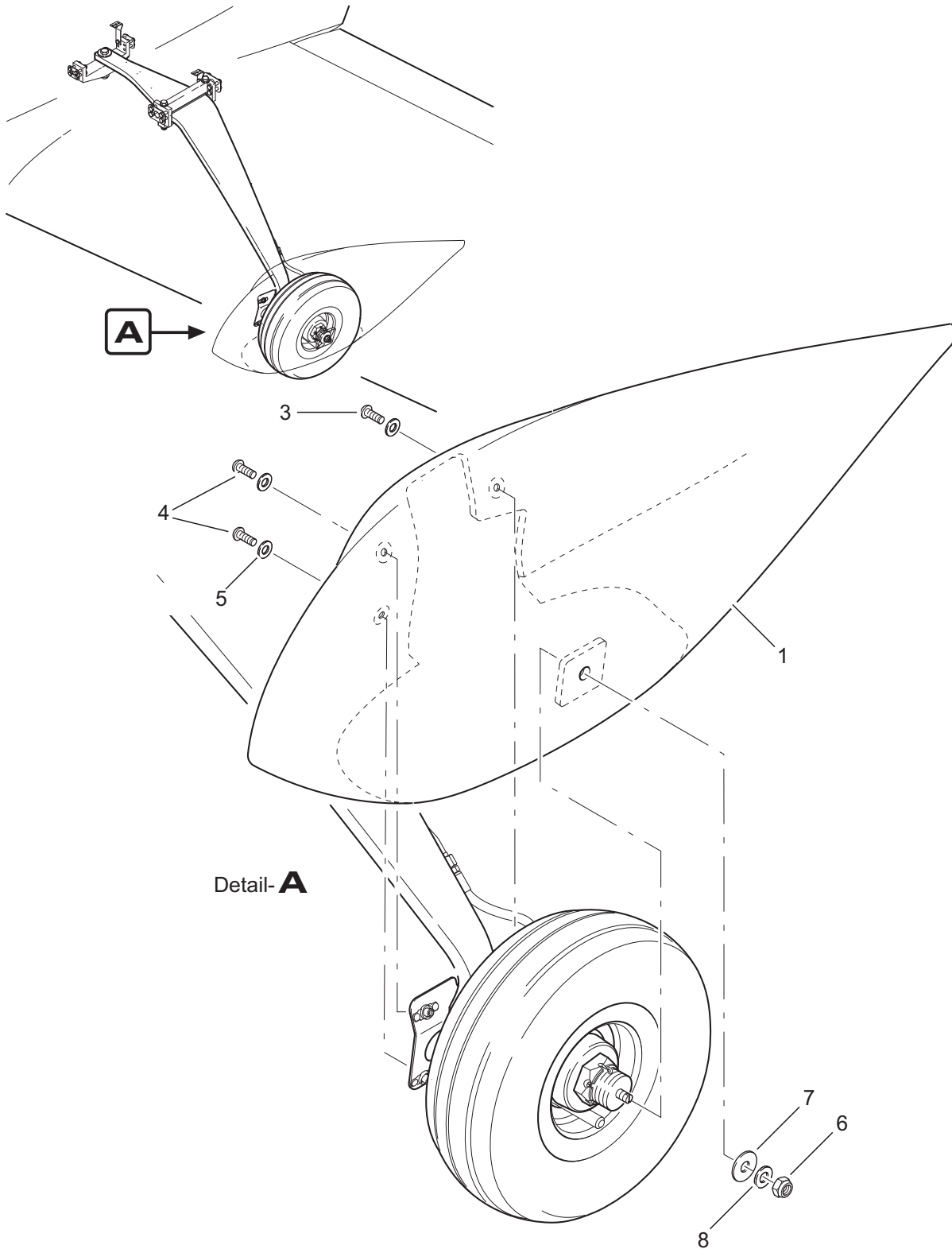


Fig. Item	QTY	Part Number	Nomenclature	Effectivity
1			Main Gear - General	
	1		Main Gear Fairing Installation (refer to 32-10-00, figure 2A for details)	"High Speed"
	-1		Main Gear Fairing Installation (refer to 32-10-00, figure 2B for details)	"Soft Field"
	2		Main Gear Leg Installation (refer to 32-10-00, figure 3 for details)	
	-3		Main Gear Wheel Installation (refer to 32-10-00, figure 4A for details)	Beringer
	3		Main Gear Wheel Installation (refer to 32-10-00, figure 4B for details)	Cleveland/ Grove
	4		Main Gear Leg Protection (refer to 32-10-00, figure 5 for details)	

- Item not illustrated



Detail-**A**

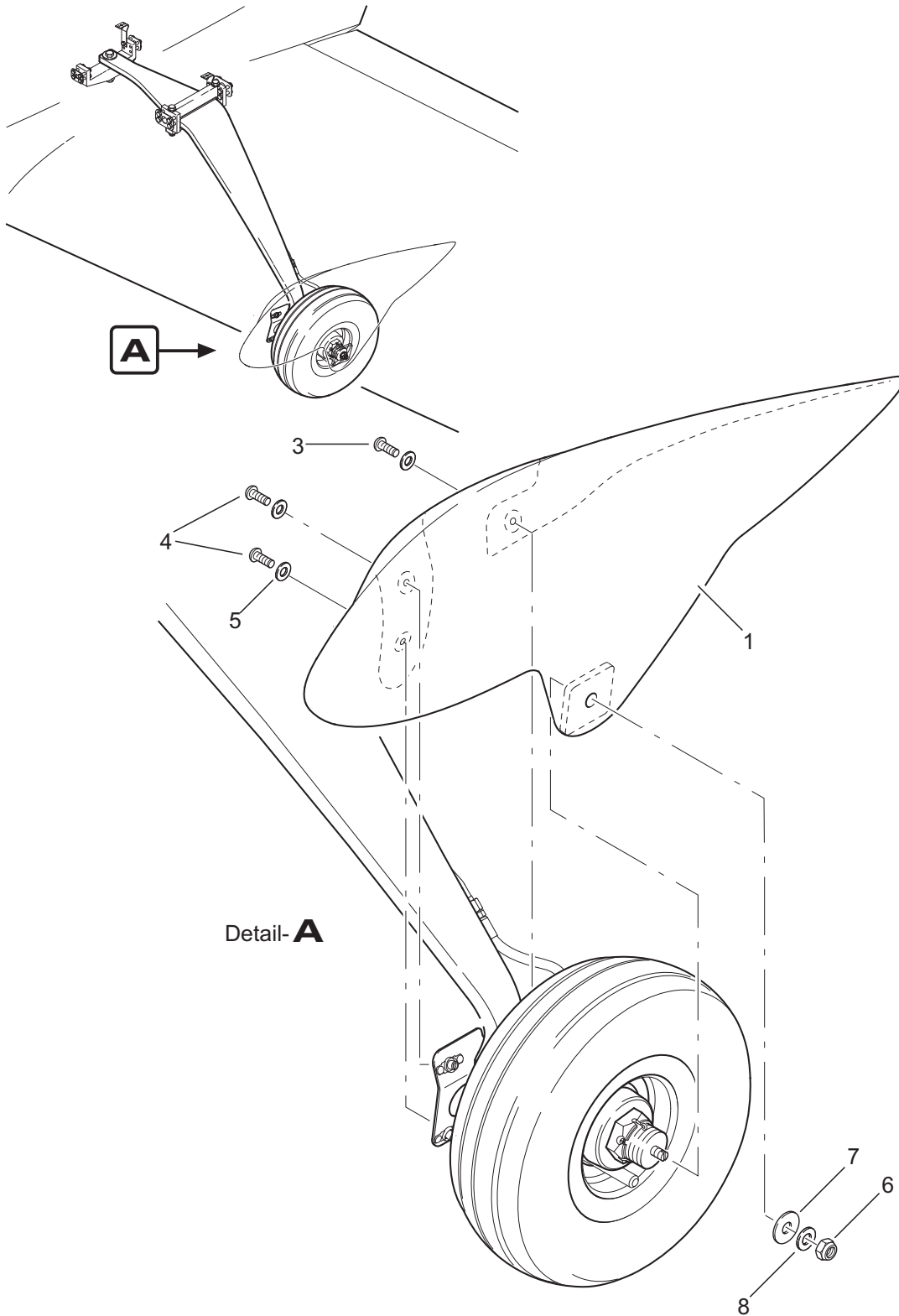
**EFFECTIVITY**

Aircraft equipped  
with main gear  
fairings "High Speed"

Main Gear Fairing Installation  
Figure 2A

Fig. Item	QTY	Part Number	Nomenclature	Effectivity
2A			Main Gear Fairing Installation	"High Speed"
1	1	AT01-5030-001-070	main gear fairing "High Speed" LH	
-2	1	AT01-5030-002-070	main gear fairing "High Speed" RH	
<u>Option A: Wheel fairing installation with steel washers</u>				steel washers
3	1	1800933_M6x20	bolt (ISO 4017 M6x20 8.8)	
4	2	1800933_M6x16	bolt (ISO 4017 M6x16 8.8)	
5	3	1809021_6,4	washer (ISO 7093 6,4x18)	
6	1	1800985_M8	locknut (ISO 10511 M8)	
7	1	1809021_8,4	washer (ISO 7093 8,4x24)	
8	-	-	-	
<u>Option B: Wheel fairing installation with polyamide washers</u>				PA washers
3	1	1807380_6x20 ULF	bolt (ISO 7380 M6x20 ULF)	
4	2	1807380_6x16 ULF	bolt (ISO 7380 M6x16 ULF)	
5	3	1809021_6,4_PA	washer (ISO 7093 6,4x18 polyamide)	
6	1	1800985_M8	locknut (ISO 10511 M8)	
7	1	1809021_8,4_PA	washer (ISO 7093 8,4x24 polyamide)	
8	1	1800125_8,4	washer (ISO 7089 8,4x16)	
<u>Service Kits &amp; Tools</u>				
		AT01-5030-001-096	main gear fairing "High Speed" LH (incl. mounting material)	
		AT01-5030-002-096	main gear fairing "High Speed" RH (incl. mounting material)	

- Item not illustrated



Detail-**A**

**EFFECTIVITY**

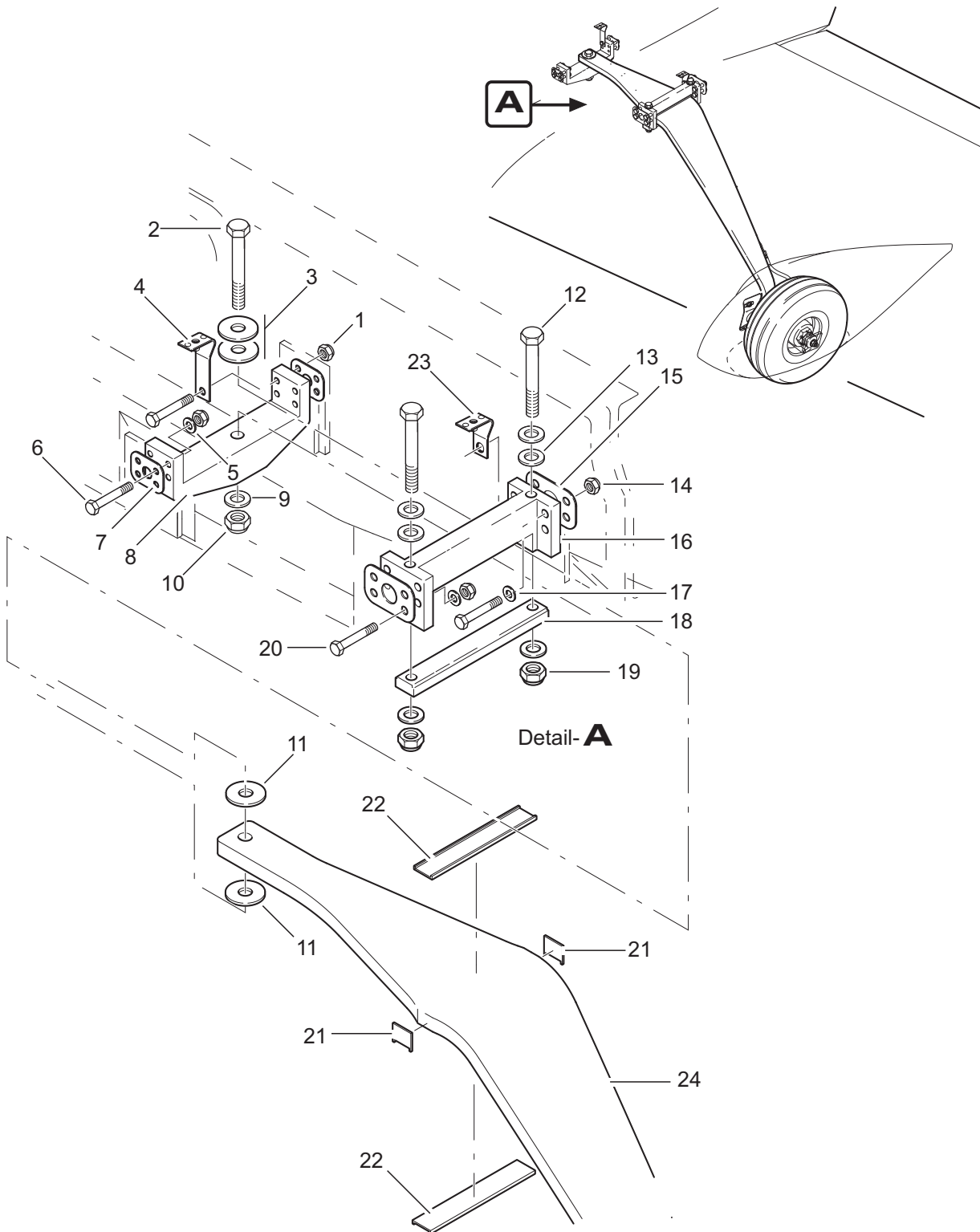
Aircraft equipped  
with main gear  
fairings "Soft Field"

Main Gear Fairing Installation  
Figure 2B



Fig. Item	QTY	Part Number	Nomenclature	Effectivity
2B			Main Gear Fairing Installation	"Soft Field"
1	1	AT01-5030-007-070	main gear fairing "Soft Field" LH	
-2	1	AT01-5030-008-070	main gear fairing "Soft Field" RH	
<u>Option A: Wheel fairing installation with steel washers</u>				steel washers
3	1	1800933_M6x20	bolt (ISO 4017 M6x20 8.8)	
4	2	1800933_M6x16	bolt (ISO 4017 M6x16 8.8)	
5	3	1809021_6,4	washer (ISO 7093 6,4x18)	
6	1	1800985_M8	locknut (ISO 10511 M8)	
7	1	1809021_8,4	washer (ISO 7093 8,4x24)	
8	-	-	-	
<u>Option B: Wheel fairing installation with polyamide washers</u>				PA washers
3	1	1807380_6x20 ULF	bolt (ISO 7380 M6x20 ULF)	
4	2	1807380_6x16 ULF	bolt (ISO 7380 M6x16 ULF)	
5	3	1809021_6,4_PA	washer (ISO 7093 6,4x18 polyamide)	
6	1	1800985_M8	locknut (ISO 10511 M8)	
7	1	1809021_8,4_PA	washer (ISO 7093 8,4x24 polyamide)	
8	1	1800125_8,4	washer (ISO 7089 8,4x16)	
<u>Service Kits &amp; Tools</u>				
		AT01-5030-007-096	main gear fairing "Soft Field" LH (incl. mounting material)	
		AT01-5030-008-096	main gear fairing "Soft Field" RH (incl. mounting material)	

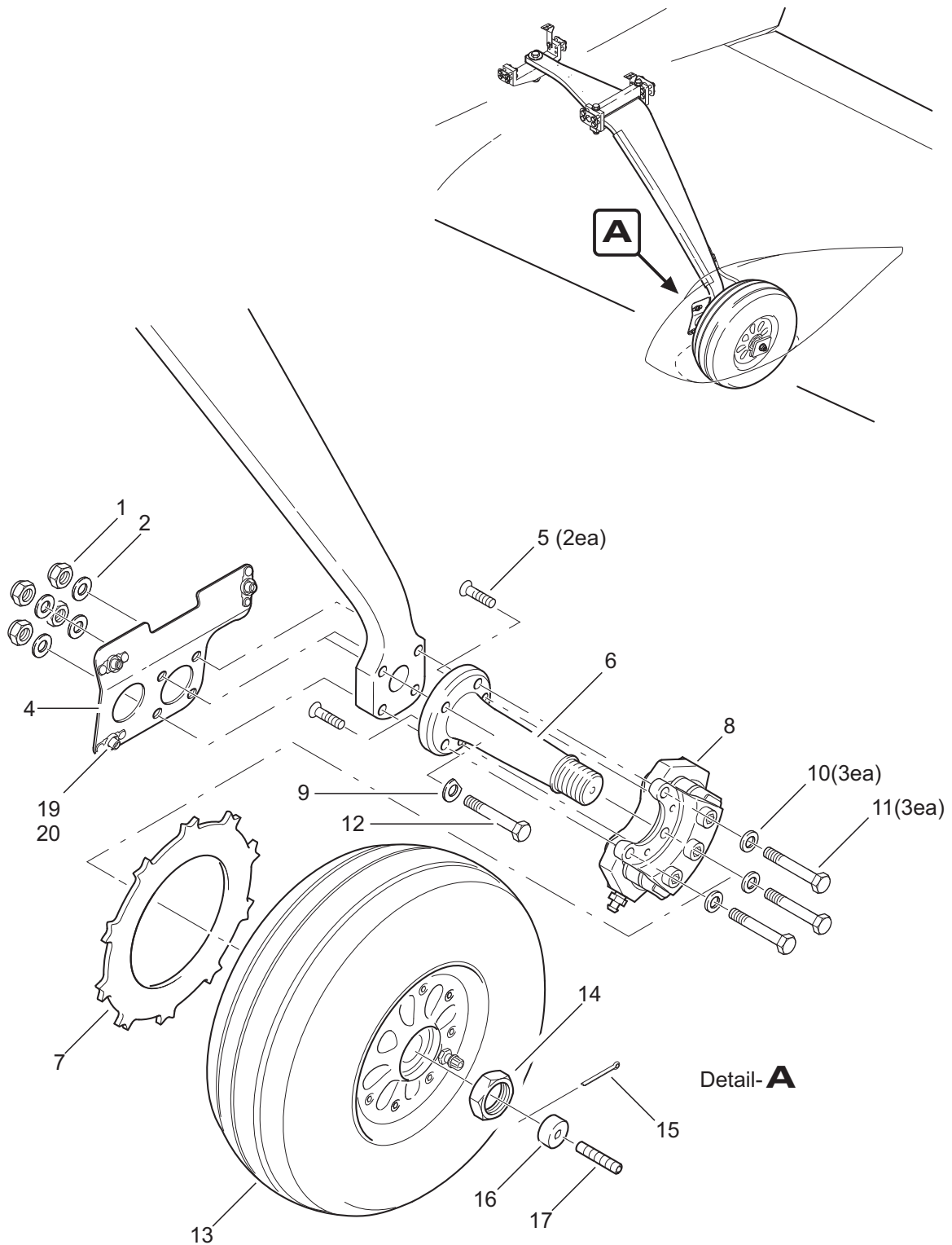
- Item not illustrated



Main Gear Leg Installation  
 Figure 3

Fig. Item	QTY	Part Number	Nomenclature	Effectivity
3			Main Gear Leg Installation	
1	8	1800985_M6	nut (ISO 10511 M6)	
2	1	1800931_M12x85	bolt (ISO 4014 M12x85)	
3	4	1800440_13,5	washer (ISO 7094 13,5x44)	
4	1	AT01-2160-015	central suspension for landing gear duct cover	
5	7	1800125_6,4	washer (ISO 7089 6,4x12)	
6	8	1800931_M6x45	bolt (ISO 4014 M6x45 8.8)	
7	2	AT01-5050-102	bearing plate (inner yoke)	
8	1	AT01-5050-100	inner yoke	
9	1	1800125_13HV2	washer (ISO 7089 13x24)	
10	1	1800985_M12	locknut (ISO 10511 M12)	
11	2	1809021_13 Nylon	polyamide washer (ISO 7093 13x37)	
12	2	1800931_M10x90	bolt (ISO 4014 M10x90 8.8)	
13	6	1800125_10,5	washer (ISO 7089 10,5x20)	
14	8	1800985_M8	locknut (ISO 10511 M8)	
15	2	AT01-5050-110	bearing plate (outer yoke)	
16	1	AT01-5050-101	outer yoke	
17	7	1800125_8,4	washer (ISO 7089 8,4x16)	
18	1	AT01-5050-103	support bracket (outer yoke)	
19	2	1800985_M10	locknut (ISO 10511 M10)	
20	8	1800931_M8x50	bolt (ISO 4014 M8x50 8.8)	
21	2	AT01-5050-105	UHMW element 2	
22	2	AT01-5050-104	UHMW element 1	
23	1	AT01-2160-016	outer suspension for landing gear duct cover	
24	1	AT01-5010-202	main gear leg LH	
- 25	1	AT01-5010-201	main gear leg RH	

- Item not illustrated



Detail-**A**

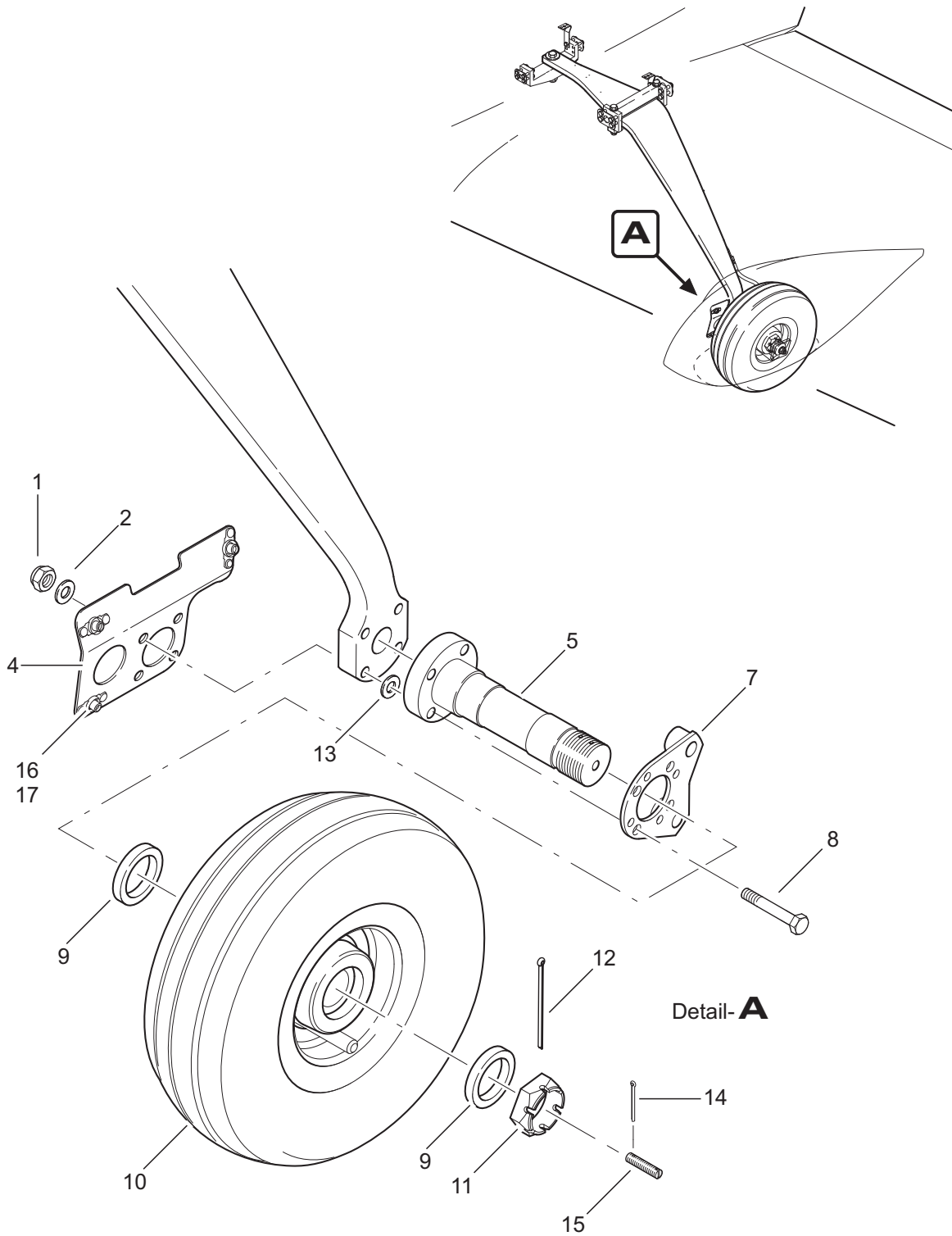
**EFFECTIVITY**

Aircraft equipped  
with Beringer wheels

Main Gear Wheel Installation  
Figure 4A

Fig. Item	QTY	Part Number	Nomenclature	Effectivity
4A			Main Gear Wheel Installation	Beringer
1	4	1800985_M8_10	locknut (ISO 10511 M8 class 10)	
2	4	1800125_8,4	washer (ISO 7089 8,4x16)	
- 3	1	AT01-5030-004	main gear fairing bracket RH	
4	1	AT01-5030-003	main gear fairing bracket LH	
5	2	AT01-5020-118	assembly screw	
6	1	AT01-5010-102	main landing gear axle (old version / replaced by AT01-5010-106)	
		AT01-5010-106	main landing gear axle (new version / replaces AT01-5010-102)	
7	1	AT01-5020-101	brake disc	
8	1	AT01-5020-033	brake caliper (modified)	
9	1	AT01-5010-104	washer	
10	3	1800988_8/1	adjusting washer (DIN 988 8x14x1)	
11	3	1809037_08050	bolt (LN 9037 M8x50)	
12	1	1809037_08044	bolt (LN 9037 M8x44)	
13	1	AT01-5040-004	main wheel Beringer RF-005	
			(incl. rim and tire / old version with central spacer / replaced by RF-018)	
		AT01-5040-005	main wheel Beringer RF-018	
			(incl. rim and tire / new version without central spacer / replaces RF-005)	
14	1	AT01-5010-103	axle nut	
15	1	1800094_2,5x28	split pin (ISO 1234 2,5x28)	
16	1	AT01-5030-109	fairing spacer	
17	1	1800913_M08x45	threaded pin (ISO 4026 M8x45)	
-18	1	AT01-1840-507	brake disc safety wire	
19	3	18029679M6	rivet nut (LN 29679 M6 / incl. in AT01-5030-003 & AT01-5030-004)	
20	6	1807337_3,2x6 ES/ES	rivet (ISO 15984 3,2x6 A2/A2 / incl. in AT01-5030-003 & AT01-5030-004)	

- Item not illustrated



**EFFECTIVITY**

Aircraft equipped  
with Cleveland/  
Grove wheels

Main Gear Wheel Installation  
Figure 4B

**32-10-00**

Page 8B

04.02.21

Fig. Item	QTY	Part Number	Nomenclature	Effectivity
4B			Main Gear Wheel Installation	Cleveland/Grove
1	4	1800985_M8_10	locknut (ISO 10511 M8 class 10)	
2	4	1800125_8,4	washer (ISO 7089 d 8,4x16)	
- 3	1	AT01-5030-004	main gear fairing bracket RH	
4	1	AT01-5030-003	main gear fairing bracket LH	
5	1	AT01-5010-100	main landing gear axle	
- 6	1	AT01-5020-352	torque plate Cleveland RH	Cleveland
		AT01-5020-359	torque plate Grove RH	Grove
7	1	AT01-5020-351	torque plate Cleveland LH	Cleveland
		AT01-5020-358	torque plate Grove LH	Grove
8	8	1809037_08048	bolt (LN 9037 M8x48)	
9	2	AT01-5020-202	spacer bushing	
10	1	AT01-5040-001	main wheel Cleveland (incl. rim, tire and brake disc)	Cleveland
		AT01-5040-003	main wheel Grove (incl. rim, tire and brake disc)	Grove
11	1	AT01-5020-201	axle nut	
12	1	1800094_3,2x63	split pin (ISO 1234 3,2x63)	
13	AR	1800988_8/0,05	adjusting washer (as required)	
14	1	1800094_2x40	split pin (ISO 1234 2x40)	
15	1	AT01-5030-102	bolt	
16	3	18029679M6	rivet nut (LN 29679 M6 / incl. in AT01-5030-003 & AT01-5030-004)	
17	6	1807337_3,2x6 ES/ES	rivet (ISO 15984 3,2x6 A2/A2 / incl. in AT01-5030-003 & AT01-5030-004)	

- Item not illustrated

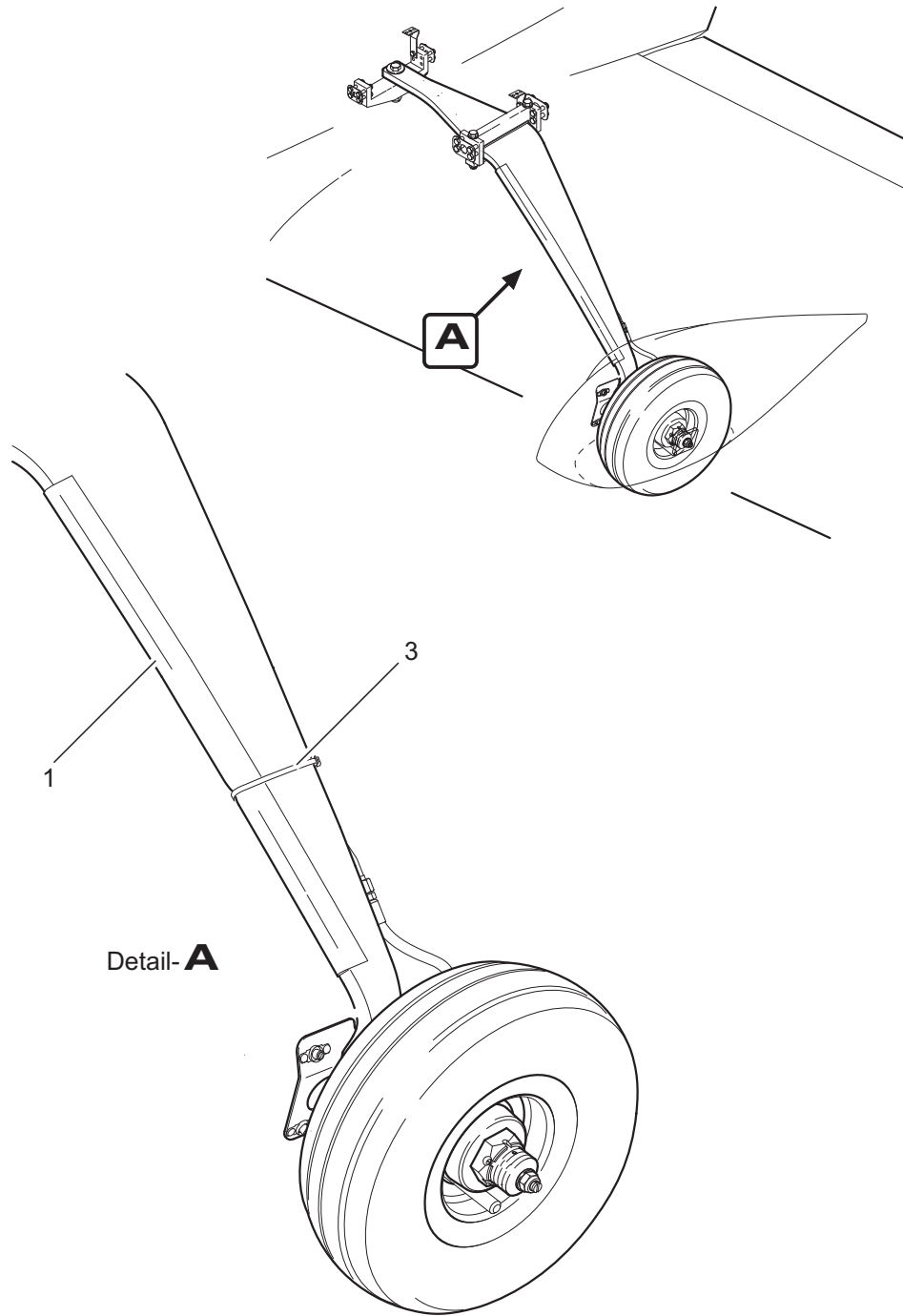




Fig. Item	QTY	Part Number	Nomenclature	Effectivity
5			Main Gear Leg Protection	
	1	1	AT01-5030-104	leg protection
	-2	AR	AT01-1960-176	construction glue
	3	1	AT01-4530-910	tightening strap
	-4	AR	AT01-1440-178	leg protection foil (self-adhesive / alternative to items 1-3)



**NOSE GEAR**

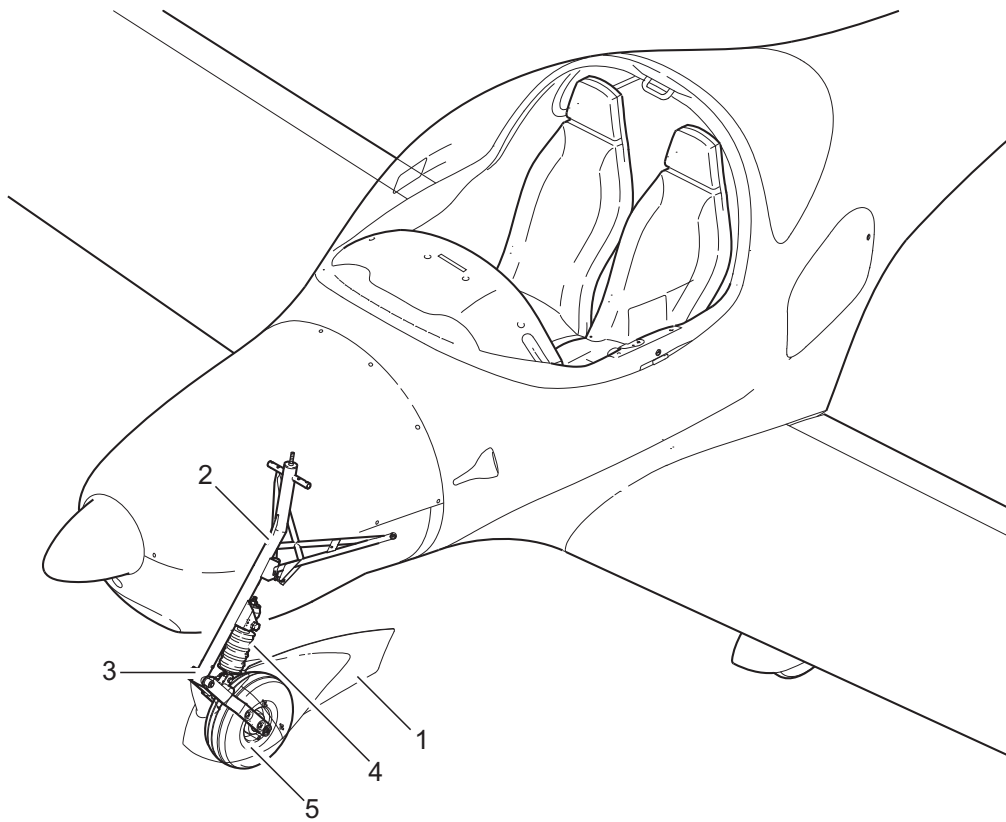
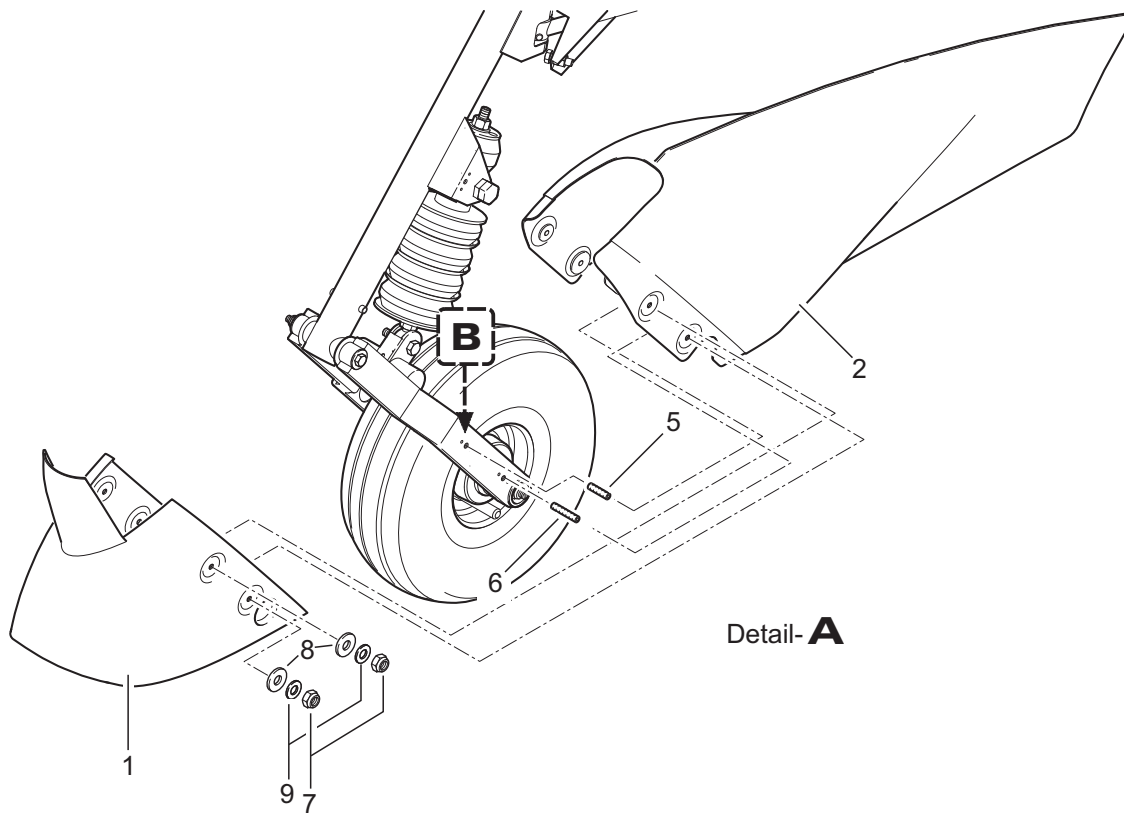
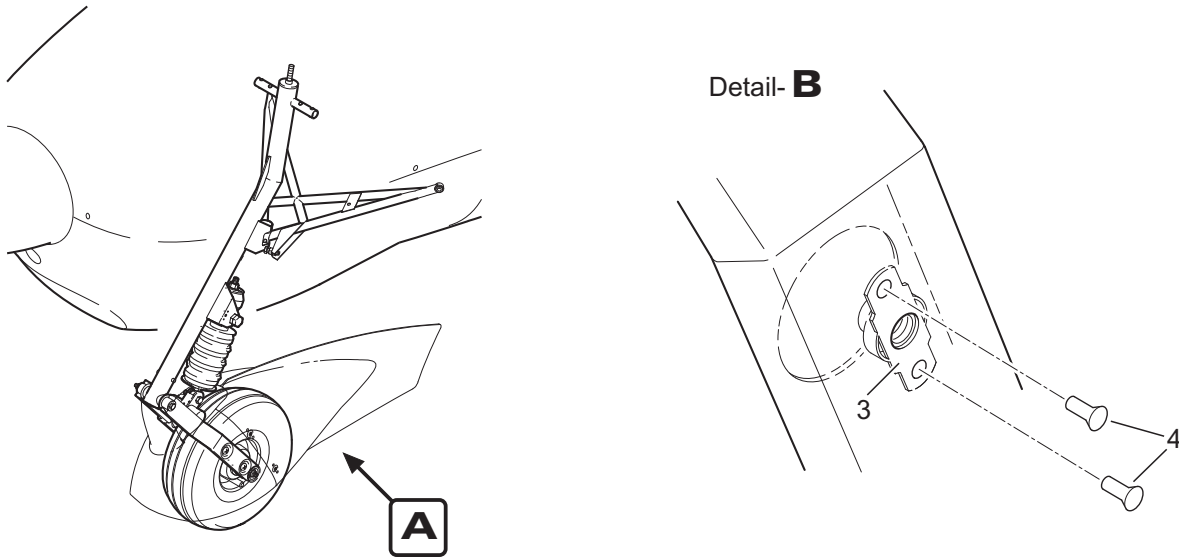


Fig. Item	QTY	Part Number	Nomenclature	Effectivity
1			Nose Gear - General	
	1		Nose Gear Fairing Installation (refer to 32-20-00, figure 2A for details)	"High Speed"
	1		Nose Gear Fairing Installation (refer to 32-20-00, figure 2B for details)	"Soft Field"
	2		Nose Gear Strut Installation (refer to 32-20-00, figure 3 for details)	
	3		Nose Gear Fork/Damper Installation (refer to 32-20-00, figure 4 for details)	
	4		Damper Assembly (refer to 32-20-00, figure 5A for details)	AT01-100
	4		Damper Assembly (refer to 32-20-00, figure 5B for details)	AT01-200
	5		Nose Gear Wheel Installation (refer to 32-20-00, figure 6A for details)	Beringer
	5		Nose Gear Wheel Installation (refer to 32-20-00, figure 6B for details)	Cleveland/ Grove

- Item not illustrated



**EFFECTIVITY**

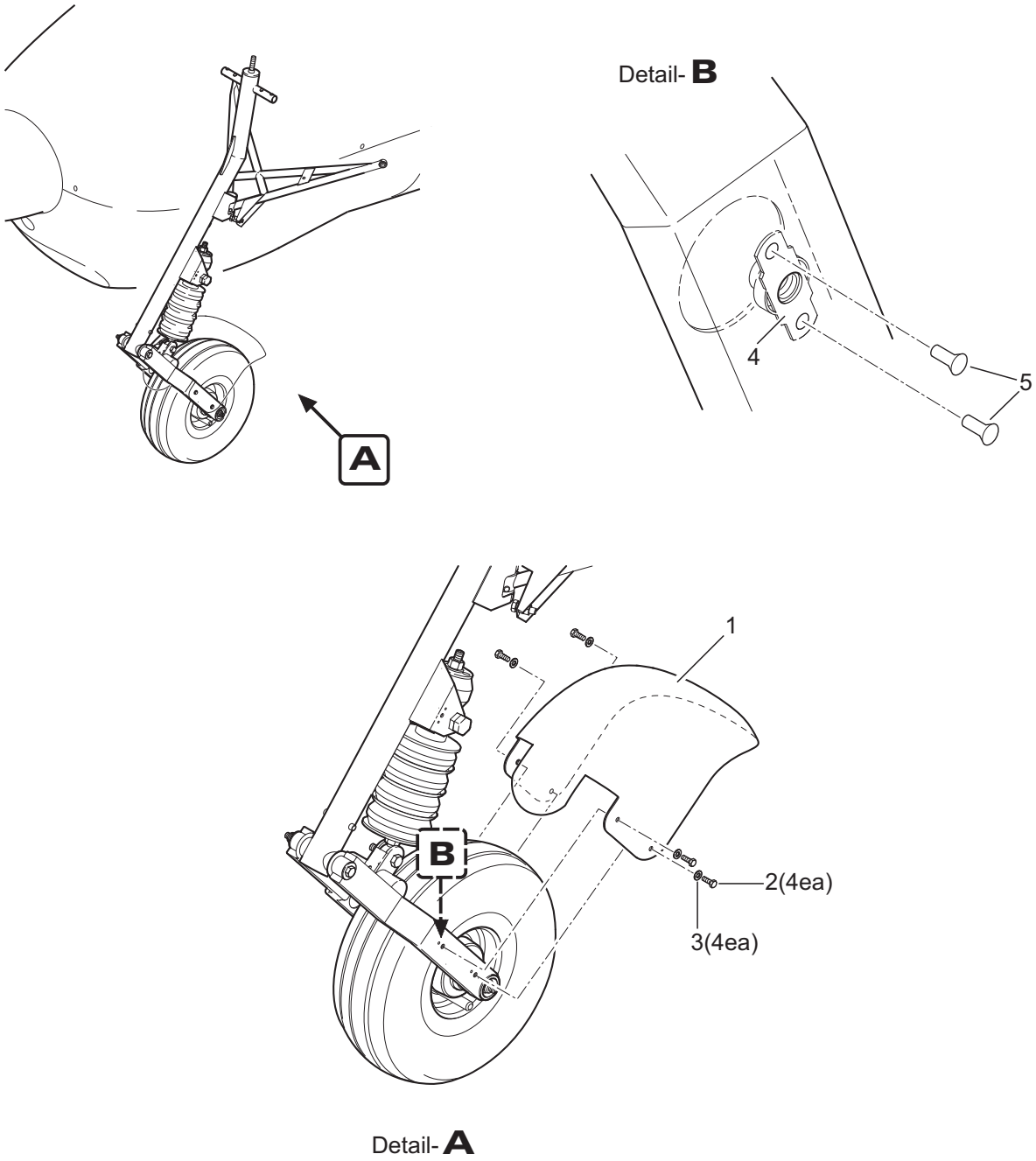
Aircraft equipped with nose gear fairing "High Speed"

Nose Gear Fairing Installation  
Figure 2A

Fig. Item	QTY	Part Number	Nomenclature	Effectivity
2A			Nose Gear Fairing Installation	"High Speed"
1	1	AT01-5160-007-070	nose gear fairing "High Speed" forepart	AT01-100
		AT01-5160-010-070	nose gear fairing "High Speed" forepart (with cutout for reinforced nose wheel fork AT01-5110-005)	AT01-200 <sup>1)</sup>
2	1	AT01-5160-008-070	nose gear fairing "High Speed" rear part	
3	4	18029679M6	rivet nut (LN 29679 M6)	
4	8	1807337_3,2x6 ES/ES	rivet (ISO 15984 3,2x6 A2/A2)	
<u>Option A: Wheel fairing installation with steel washers</u>				steel washers
5	2	1800913_M06x25	threaded pin (ISO 4026 M6x25)	
6	2	1800913_M06x30	threaded pin (ISO 4026 M6x30)	
7	4	1800985_M6	locknut (ISO 10511 M6)	
8	4	1809021_6,4	washer (ISO 7093 6,4x18)	
9	-	-	-	
<u>Option B: Wheel fairing installation with polyamide washers</u>				PA washers
5	2	1800913_M06x30	threaded pin (ISO 4026 M6x30)	
6	2	1800913_M06x35	threaded pin (ISO 4026 M6x35)	
7	4	1800985_M6	locknut (ISO 10511 M6)	
8	4	1809021_6,4_PA	washer (ISO 7093 6,4x18 polyamide)	
9	4	1800125_6,4	washer (ISO 7089 6,4x12)	
<u>Service Kits &amp; Tools</u>				
		AT01-5160-009-096	nose gear fairing "High Speed" (incl. AT01-5160-007 & AT01-5160-008 & mounting material)	

<sup>1)</sup> Refer to SB-AT01-037 for installation of the reinforced nose wheel fork on the AT01-100.

- Item not illustrated



**EFFECTIVITY**

Aircraft equipped with nose gear fairing "Soft Field"

Nose Gear Fairing Installation  
Figure 2B

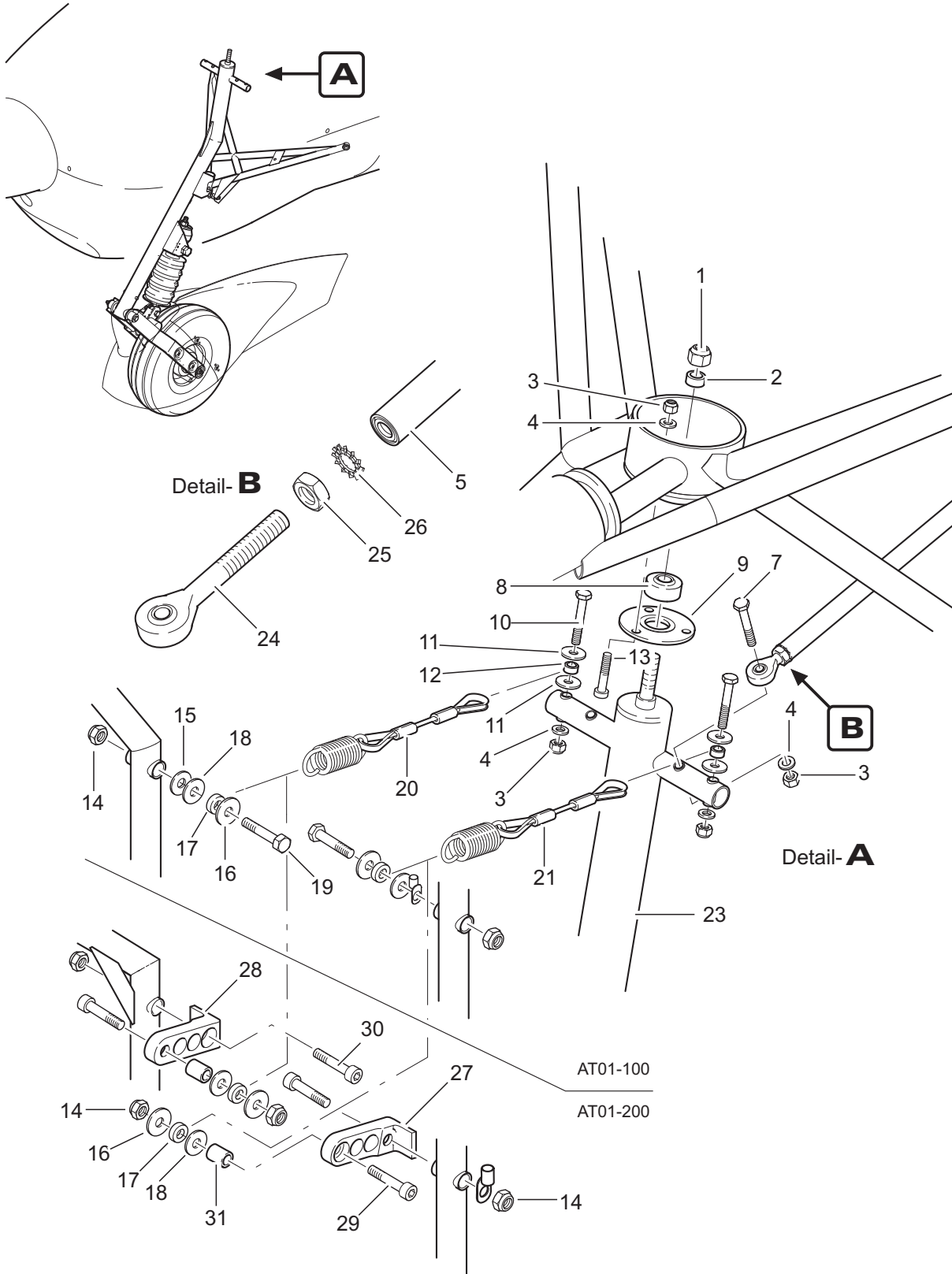


Fig. Item	QTY	Part Number	Nomenclature	Effectivity
2B			Nose Gear Fairing Installation	"Soft Field"
1	1	AT01-5160-006-070	nose gear fairing "Soft Field"	
2	4	1807380_6x20 ULF	bolt (ISO 7380 M6x20 ULF)	
3	4	1809021_6,4_PA	washer (ISO 7093 6,4x18 polyamide)	
4	4	18029679M6	rivet nut (LN 29679 M6)	
5	8	1807337_3,2x6 ES/ES	rivet (ISO 15984 3,2x6 A2/A2)	

Service Kits & Tools

AT01-5160-006-096	nose gear fairing "Soft Field" (incl. mounting material)
-------------------	---

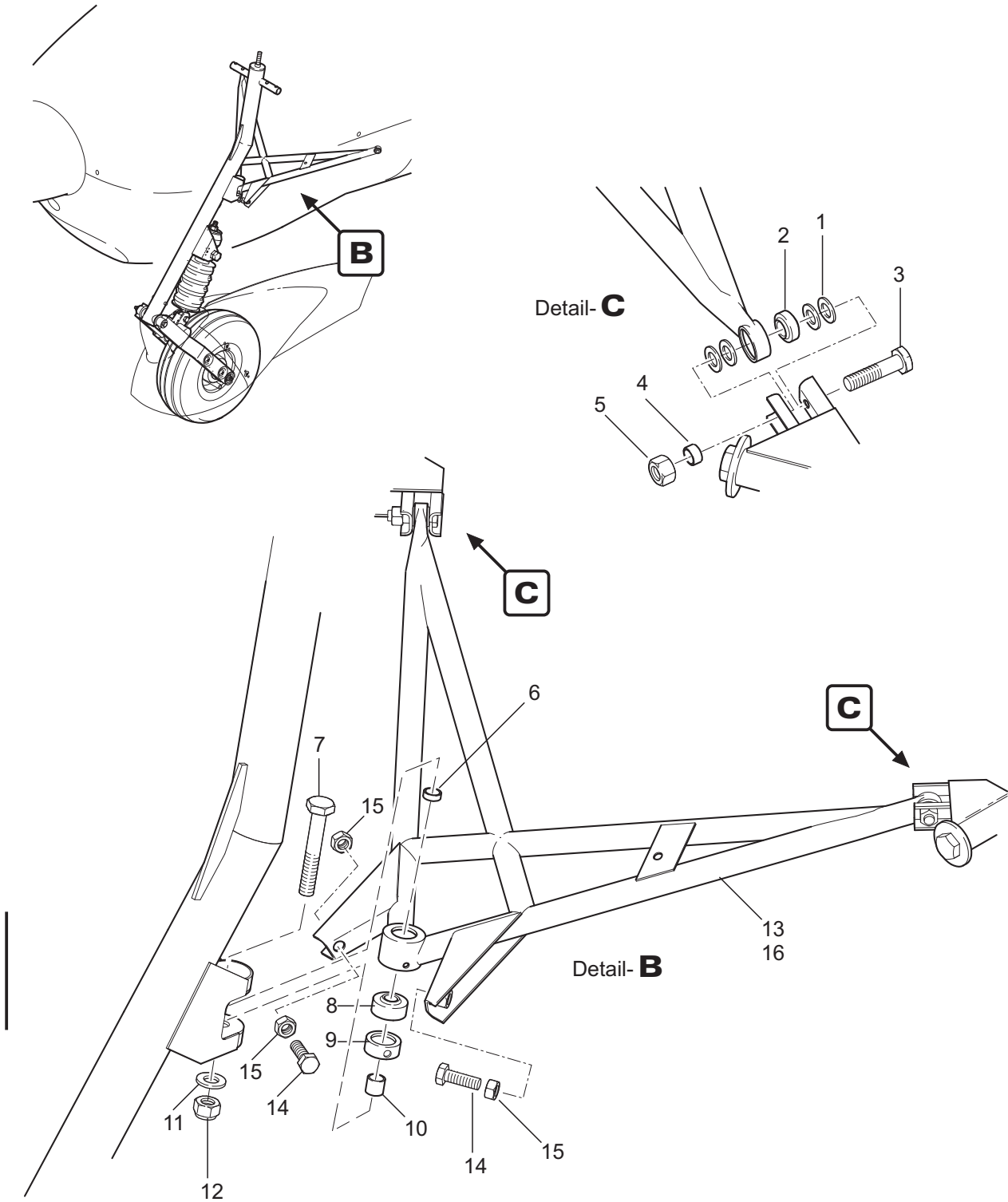
- Item not illustrated



Nose Gear Strut Installation  
Figure 3 (1)

Fig. Item	QTY	Part Number	Nomenclature	Effectivity
3 (1)			Nose Gear Strut Installation	
1	1	1800985_M10	locknut (ISO 10511 M10)	
2	1	AT01-5110-120	spacer sleeve (upper bearing)	
3	7	1800985_M6	locknut (ISO 10511 M6)	
4	7	1800125_6,4	washer (ISO 7089 6,4x12)	
5	1	AT01-5120-002	handlebar LH	
-6	1	AT01-5120-004	handlebar RH	
7	2	1809037_06040	bolt (LN 9037 M6x40)	
8	1	AT01-1850-103	bearing	
9	1	AT01-5110-105	bearing ring	
10	2	1809037_06040	bolt (LN 9037 M6x40)	
11	4	1809021_6,4	washer (ISO 7093 6,4x18)	
12	2	AT01-4510-125	spacer sleeve	
13	3	1806912_M6x30	bolt (DIN 6912 M6x30 8.8)	
14	2/4	1800985_M8	locknut (ISO 10511 M8)	
15	1	1800125_8,4	washer (ISO 7089 8,4x16)	AT01-100
16	2	1809021_8,4	washer (ISO 7093 8,4x24)	
17	2	AT01-5120-102	spacer sleeve	
18	2	AT01-4540-147	washer	
19	2	1800931_M8x40	bolt (ISO 4014 M8x40 8.8)	AT01-100
20	1	AT01-5120-105-096	centering cable RH (incl. centering spring)	
21	1	AT01-5120-104-096	centering cable LH (incl. centering spring)	
22	-	-	-	
23	1	AT01-5110-001	nose gear leg	
24	2	AT01-1850-120	swivel head	
25	2	1800936_M8	nut (ISO 4035 M8)	
26	2	1806797_8,4	tooth washer (DIN 6797 8,4x15)	
27	1	AT01-5120-110	mounting bracket LH	AT01-200
28	1	AT01-5120-111	mounting bracket RH	AT01-200
29	2	1807984_8x40	bolt (ISO 14580 M8x40 8.8)	AT01-200
30	2	1800912_M8x35	bolt (ISO 4762 M8x35 8.8)	AT01-200
31	2	AT01-5120-109	spacer sleeve	AT01-200

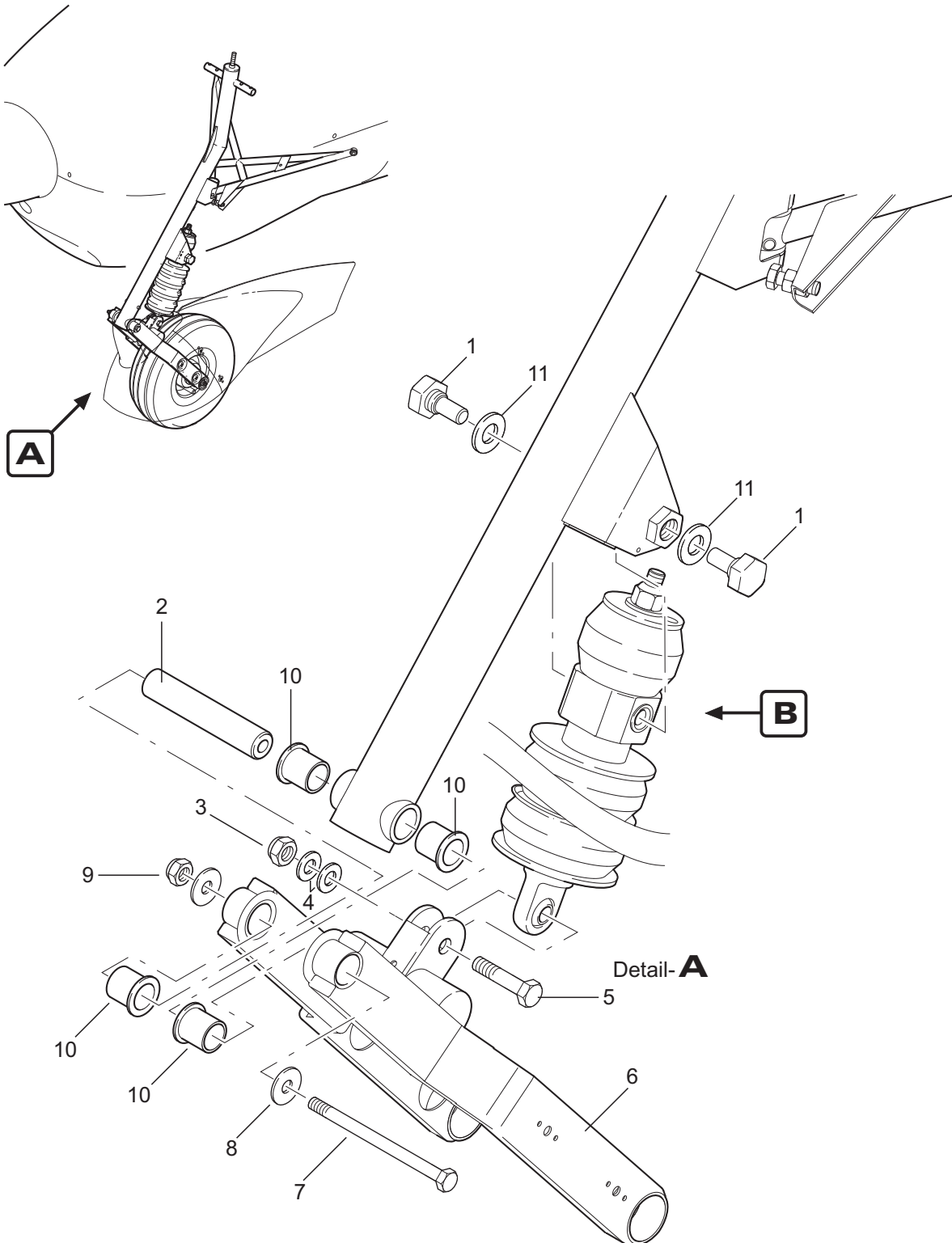
- Item not illustrated



Nose Gear Strut Installation  
Figure 3 (2)

Fig. Item	QTY	Part Number	Nomenclature	Effectivity
3 (2)			Nose Gear Strut Installation	
1	8	1800988_8/1	adjusting washer (DIN 988 8x14x1)	
2	2	AT01-1850-104	bearing	
3	2	1809037_08032	bolt (LN 9037 M8x32)	
4	2	AT01-4510-127	spacer sleeve	
5	2	1800985_M8	locknut (ISO 10511 M8)	
6	1	AT01-5130-101	upper bearing sleeve	
7	1	1809037_08048	bolt (LN 9037 M8x48)	
8	1	AT01-1850-103	bearing	
9	1	AT01-5130-103	bearing ring	
	3	1807337_4,0x6 ES/ES	rivet (ISO 15984 A 4x6 A2/A2)	
10	1	AT01-5130-100	lower bearing sleeve	
11	1	1800125_10,5	washer (ISO 7089 10,5x20)	
12	1	1800985_M10	locknut (ISO 10511 M10)	
13	1	AT01-5130-001	nose gear leg support brace	
14	2	1800933_M8x25	bolt (ISO 4017 M8x25 8.8)	
15	2	1800934_M8	nut (DIN 934 M8)	
16	1	AT01-5130-003	nose gear leg support brace assembly (including items 1-5, 8, 9, 13-15)	

- Item not illustrated

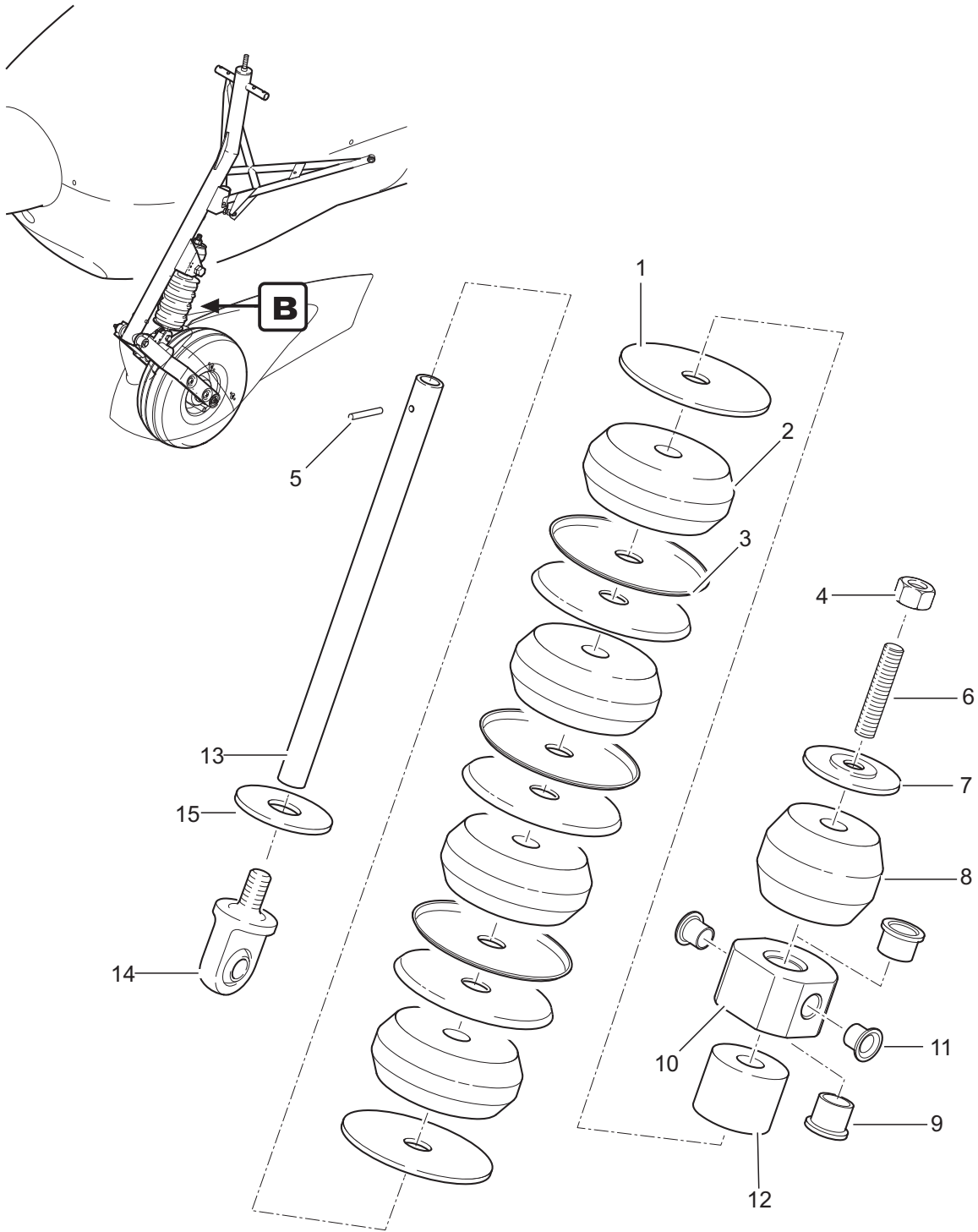


Nose Gear Fork / Damper Installation  
Figure 4

Fig. Item	QTY	Part Number	Nomenclature	Effectivity
4			Nose Gear Fork / Damper Installation	
1	2	AT01-5110-111	bolt	
2	1	AT01-5110-102	nose gear bearing shaft	
3	1	1800985_M10	locknut (ISO 10511 M10)	
4	2	1800125_10,5	washer (ISO 7089 10,5x20)	
5	1	1809037_10040	bolt (LN 9037 M10x40)	
6	1	AT01-5110-002	nose gear fork	AT01-100
		AT01-5110-005	nose gear fork (reinforced)	AT01-200 <sup>1)</sup>
7	1	1800931_M8x110	bolt (ISO 4014 M8x110)	
8	2	1809021_8,4	washer (ISO 7093 8,4x24)	
9	1	1800985_M8	locknut (ISO 10511 M8)	
10	4	1850022	collar bushing	
11	2	1800125_15	washer (ISO 7089 15x28)	

<sup>1)</sup> Refer to SB-AT01-037 for installation of the reinforced nose wheel fork on the AT01-100.

- Item not illustrated



Detail- **B**

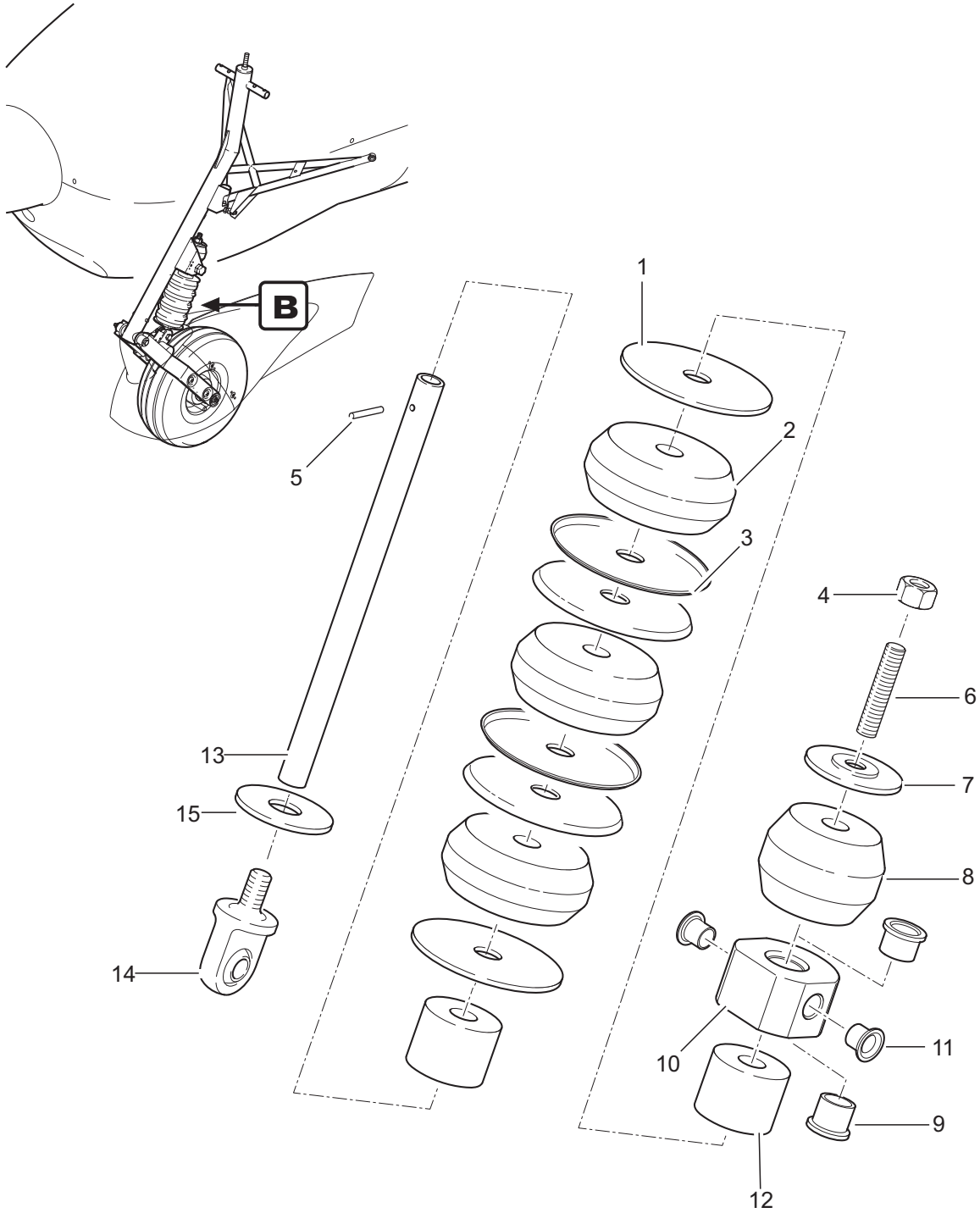


Fig. Item	QTY	Part Number	Nomenclature	Effectivity
5A			Damper Assembly	AT01-100
1	2	AT01-5140-102	damper plate	
2	4	AT01-5140-104	main rubber element	
3	6	AT01-5140-103	plate	
4	1	1800985_M10	locknut (ISO 10511 M10)	
5	1	1801473 FST 3x12	grooved pin (DIN 1473 3x12)	
6	1	AT01-5140-106	threaded insert	
7	1	AT01-5140-113	pressure disc	
8	1	AT01-5140-105	rebound rubber element	
9	2	1850033	collar bushing	
10	1	AT01-5140-108	glide element	
11	2	1850013	collar bushing	
12	1	AT01-5140-109	spacer	
13	1	AT01-5140-101	guide tube	
14	1	AT01-5140-005	swivel head	
15	1	AT01-5140-112	pressure disc	

Service Kits & Tools

AT01-5140-001-096	damper assembly (4 rubber elements / including items 1-15)
-------------------	--

- Item not illustrated



Detail- **B**

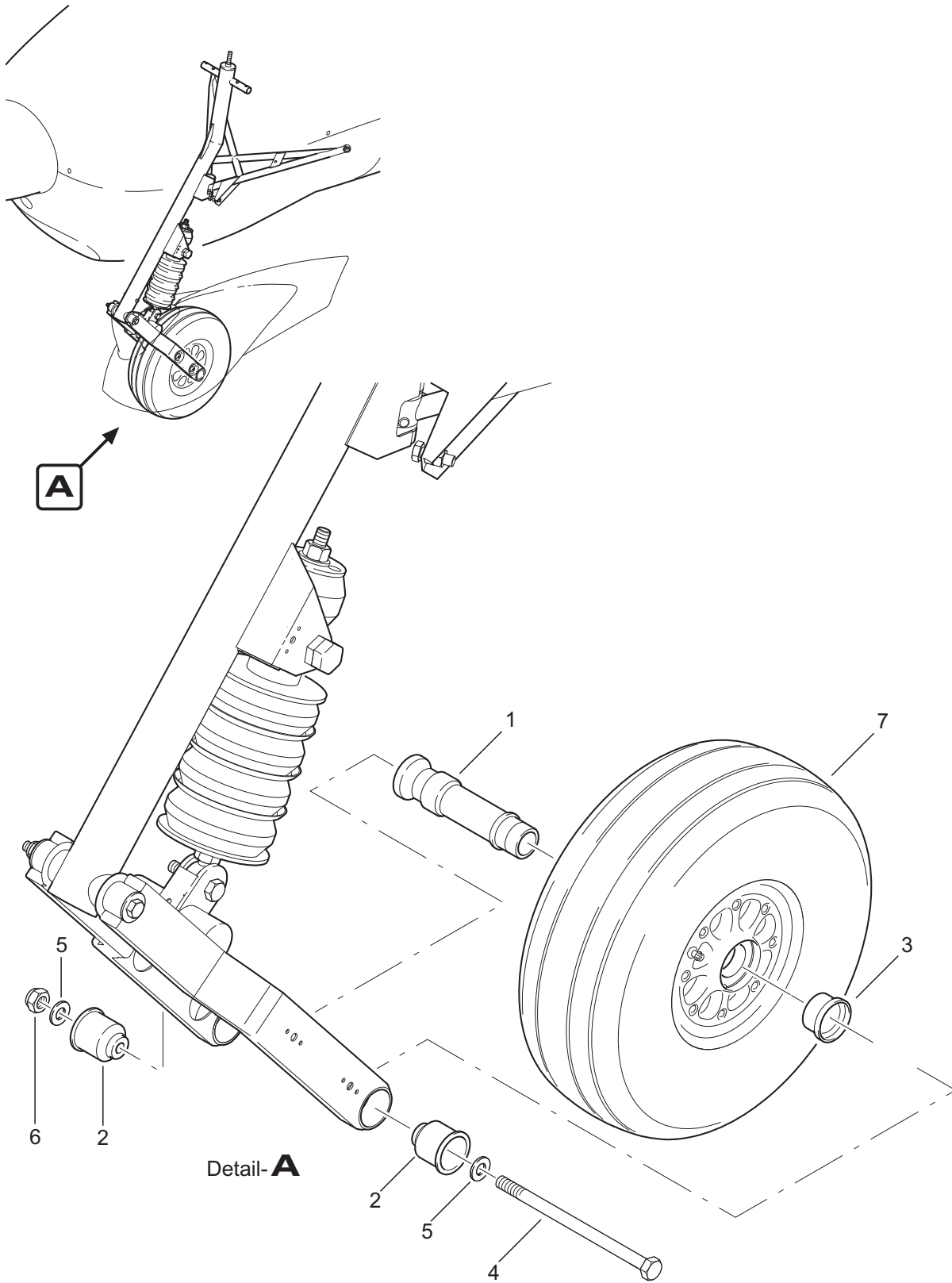
Fig. Item	QTY	Part Number	Nomenclature	Effectivity
5B			Damper Assembly	AT01-200 <sup>1)</sup>
1	2	AT01-5140-114	damper plate	
2	3	AT01-5140-104	main rubber element	
3	4	AT01-5140-103	plate	
4	1	1800985_M10	locknut (ISO 10511 M10)	
5	1	1801473 FST 3x12	grooved pin (DIN 1473 3x12)	
6	1	AT01-5140-106	threaded insert	
7	1	AT01-5140-113	pressure disc	
8	1	AT01-5140-105	rebound rubber element	
9	2	1850033	collar bushing	
10	1	AT01-5140-108	glide element	
11	2	1850013	collar bushing	
12	2	AT01-5140-109	spacer	
13	1	AT01-5140-101	guide tube	
14	1	AT01-5140-005	swivel head	
15	1	AT01-5140-112	pressure disc	

Service Kits & Tools

AT01-5140-006      damper assembly (3 rubber elements / including items 1-15)

<sup>1)</sup> Refer to SB-AT01-037 for installation of the reinforced nose wheel fork on the AT01-100.

- Item not illustrated



Detail- **A**

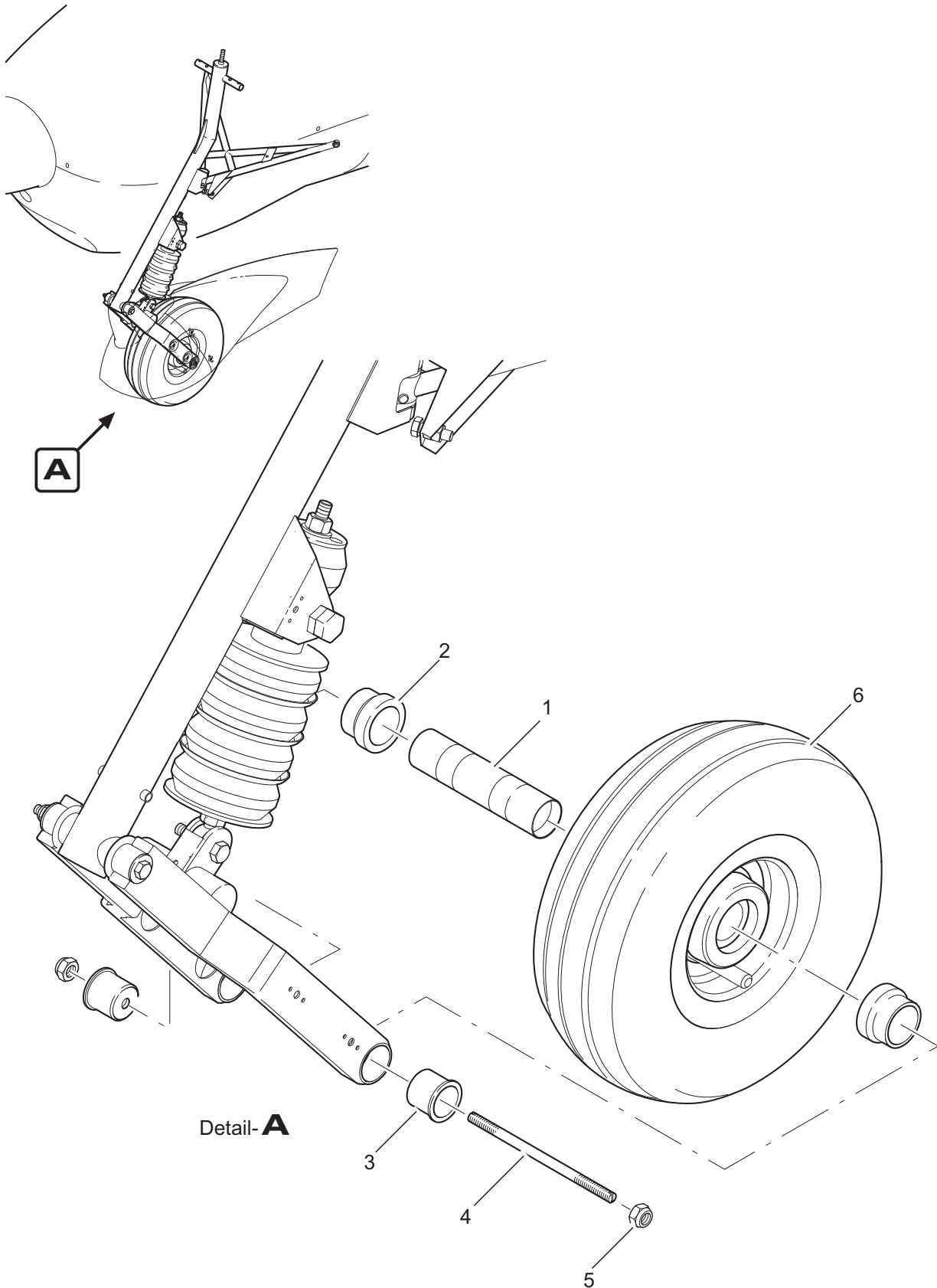
**EFFECTIVITY**

Aircraft equipped  
with Beringer wheels

Nose Gear Wheel Installation  
Figure 6A

Fig. Item	QTY	Part Number	Nomenclature	Effectivity
6A			Nose Gear Wheel Installation	Beringer
	1	AT01-5150-130	nose landing gear axle	
	2	AT01-5150-131	bearing race	
	3	AT01-5150-132	spacer sleeve	
	4	1800931_M8x140	bolt (ISO 4014 M8x140 8.8)	
	5	1800125_8,4	washer (ISO 7089 8,4x16)	
	6	1800985_M8	locknut (ISO 10511 M8)	
	7	AT01-5150-007	nose wheel Beringer RA-002 (incl. rim and tire / old version with central spacer / replaced by RA-014)	
		1 AT01-5150-008	nose wheel Beringer RA-014 (incl. rim and tire / new version without central spacer / replaces RA-002)	

- Item not illustrated



Detail- **A**

**EFFECTIVITY**

Aircraft equipped  
with Cleveland/  
Grove wheels

Nose Gear Wheel Installation  
Figure 6B

Fig. Item	QTY	Part Number	Nomenclature	Effectivity
6B			Nose Gear Wheel Installation	Cleveland/Grove
1	1	AT01-5150-100	nose landing gear axle	
2	2	AT01-5150-102	spacer sleeve	
3	2	AT01-5150-101	bearing race	
		AT01-5150-131	bearing race (optional)	
4	1	AT01-5150-103	axle bolt	
5	2	1800980_M08_10	locknut (ISO 7042 M8 class 10)	
6	1	AT01-5150-003	nose wheel Cleveland (incl. rim and tire)	Cleveland
		AT01-5150-004	nose wheel Grove (incl. rim and tire)	Grove

- Item not illustrated





**WHEELS AND BRAKES**

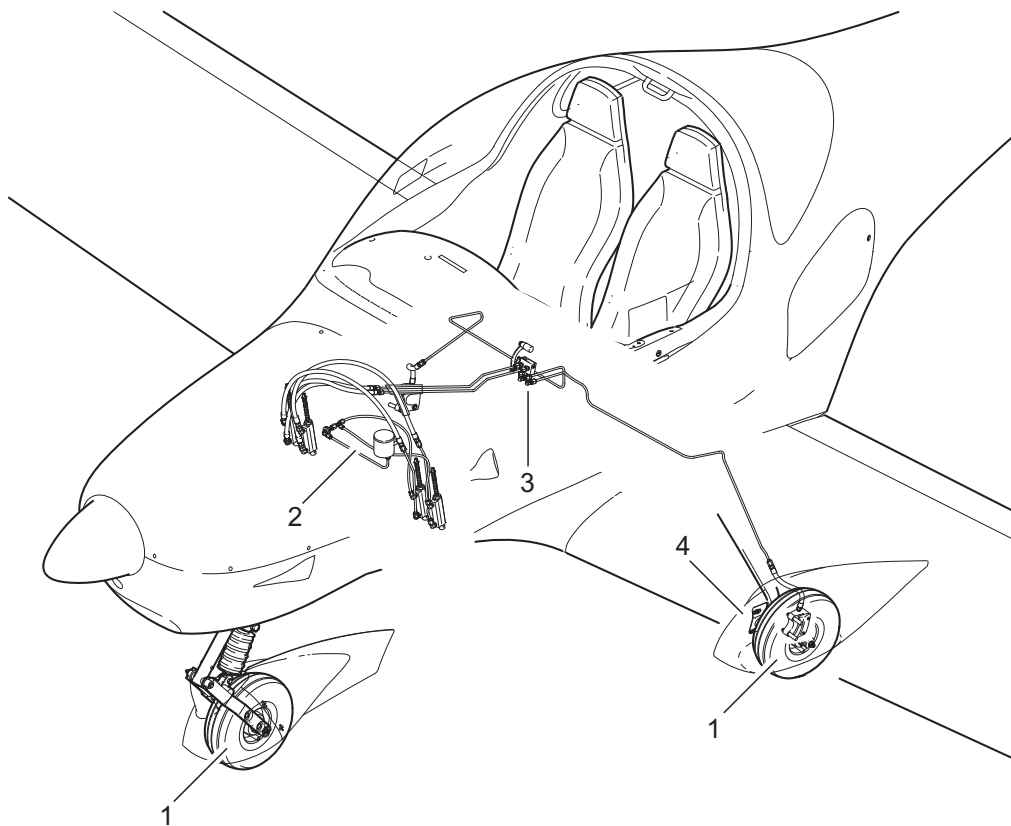
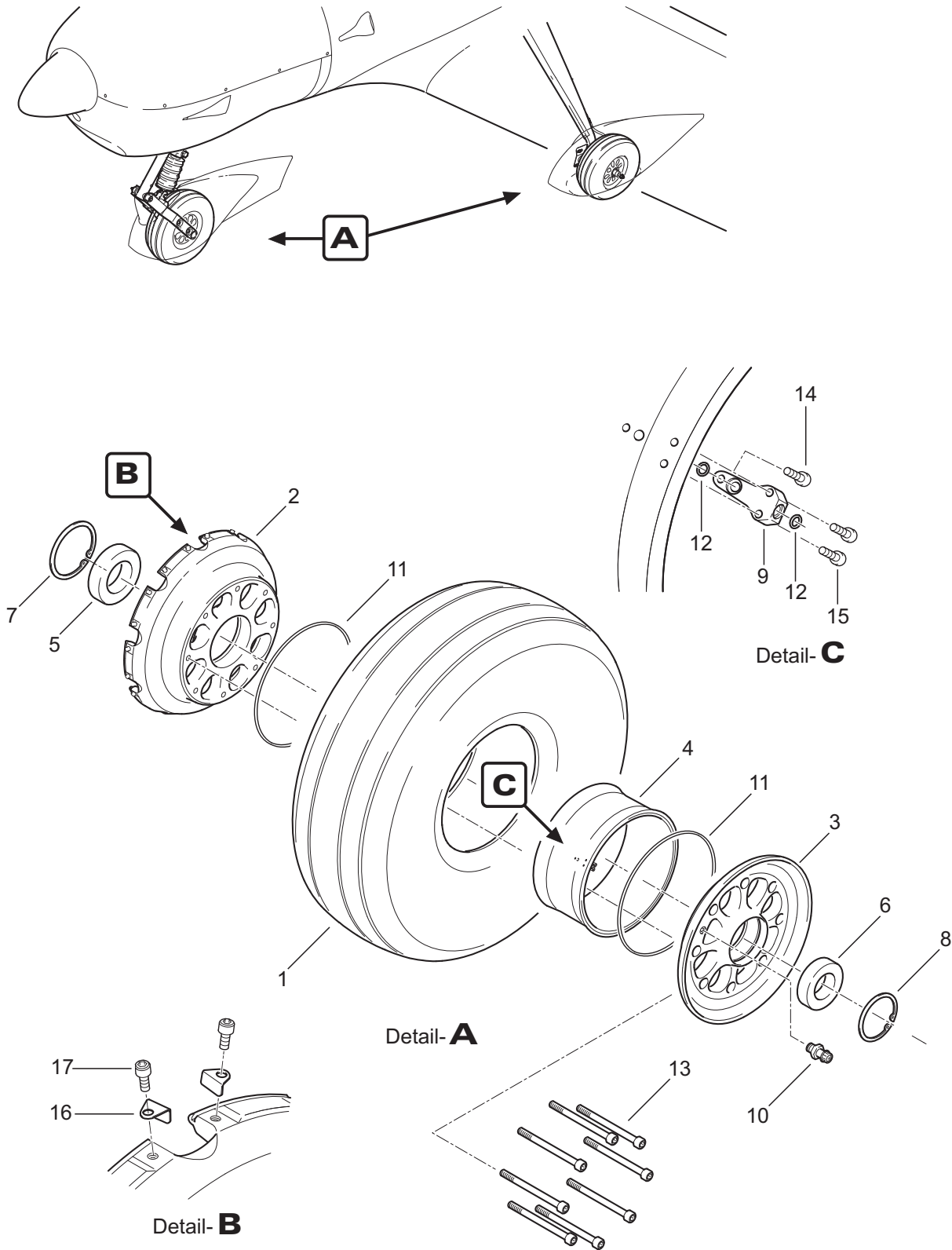


Fig. Item	QTY	Part Number	Nomenclature	Effectivity
1			Wheels & Brakes - General	
	1		Wheel Assembly (refer to 32-40-00, figure 2A for details)	Beringer RF-005 / RA-002
	1		Wheel Assembly (refer to 32-40-00, figure 2B for details)	Beringer RF-018 / RA-014
	1		Wheel Assembly (refer to 32-40-00, figure 2C for details)	Cleveland/Grove
	2		Brake System Installation - Front (refer to 32-40-00, figure 3A for details)	Beringer
	2		Brake System Installation - Front (refer to 32-40-00, figure 3B for details)	Cleveland/Grove
	3		Brake System Installation - Rear (refer to 32-40-00, figure 4A for details)	Beringer
	3		Brake System Installation - Rear (refer to 32-40-00, figure 4B for details)	Cleveland/Grove
	4		Brake Caliper Assembly (refer to 32-40-00, figure 5A for details)	Beringer
	4		Brake Caliper Assembly (refer to 32-40-00, figure 5B for details)	Cleveland/Grove

- Item not illustrated

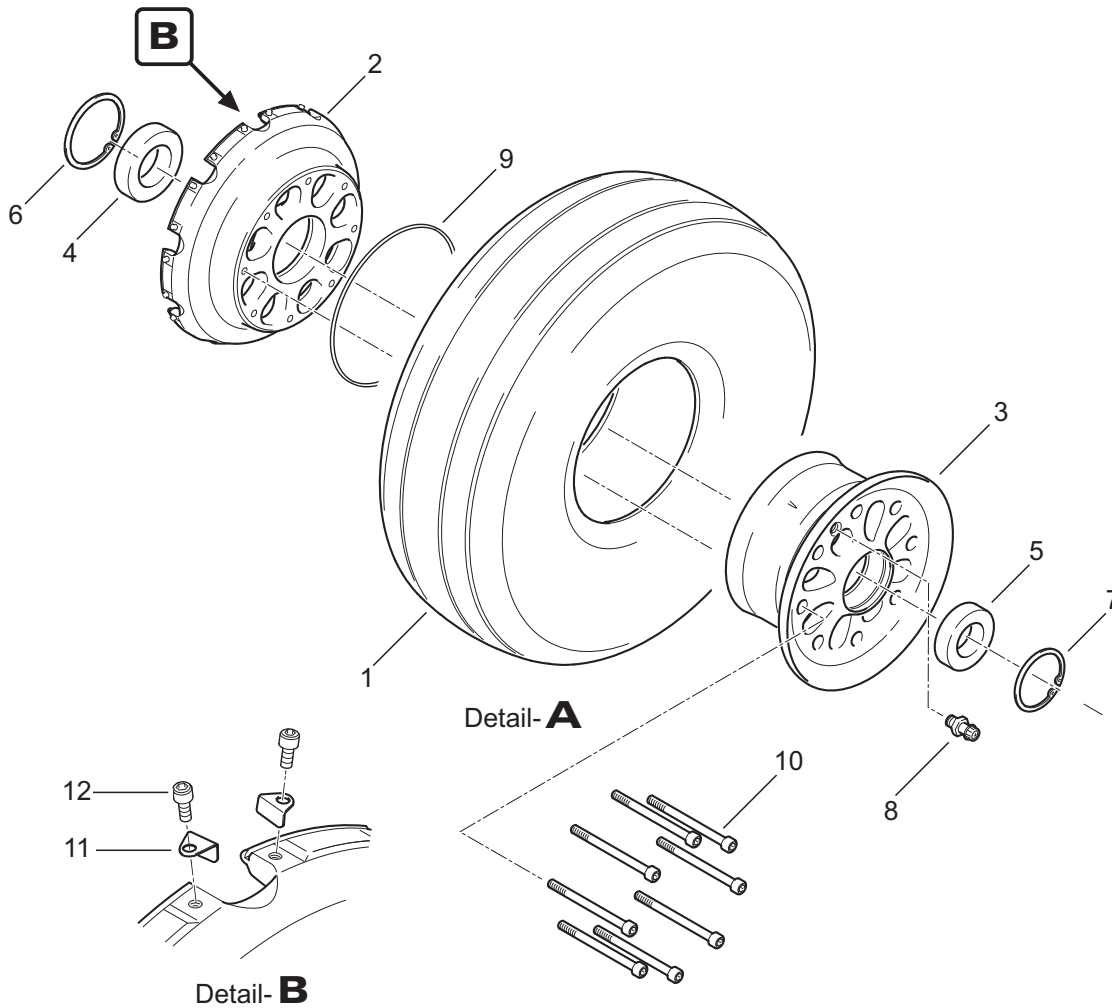
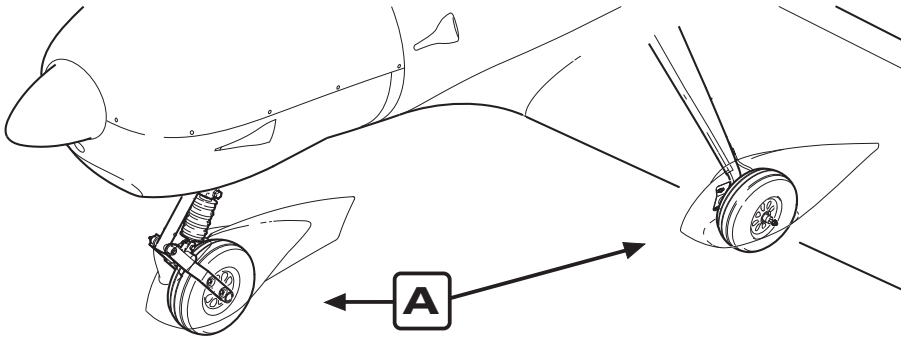


**EFFECTIVITY**  
 Aircraft equipped  
 with Beringer wheels  
 RF-005 / RA-002

Wheel Assembly  
 Figure 2A

Fig. Item	QTY	Part Number	Nomenclature	Effectivity
2A			Wheel Assembly	Beringer RF-005 / RA-002
1	1	AT01-4590-101	tire (5.00-5 / 10 ply / tubeless)	
	1	AT01-4590-104	tire (5.00-5 / 8 ply / tubeless / optional)	
2	1	AT01-5040-101	inner main wheel half	main wheel
-2	1	AT01-5150-133	inner nose wheel half	nose wheel
3	1	AT01-5040-102	outer wheel half	
4	1	AT01-5040-103	central spacer	
5	1	AT01-5040-104	inner bearing	
6	1	AT01-5040-105	outer bearing	
7	1	AT01-5040-106	inner circlip	
8	1	AT01-5040-107	outer circlip	
9	1	AT01-5040-108	connector	
10	1	AT01-5040-109	valve	
11	2	AT01-5040-110	large O-ring	
12	2	AT01-5040-111	small O-ring	
13	8	AT01-5040-112	bolt	
14	1	AT01-5040-113	assembly screw	
15	2	AT01-5040-114	assembly screw	
16	20	AT01-5040-115	clip	main wheel
17	20	AT01-5040-116	clip screw	main wheel
<u>Service Kits &amp; Tools</u>				
		AT01-5040-004	main wheel Beringer RF-005 (incl. rim, brake disc & tire)	main wheel
		AT01-5150-007	nose wheel Beringer RA-002 (incl. rim & tire)	nose wheel
		1391108	tire change tool for Beringer wheels	

- Item not illustrated



**EFFECTIVITY**  
Aircraft equipped  
with Beringer wheels  
RF-018 / RA-014

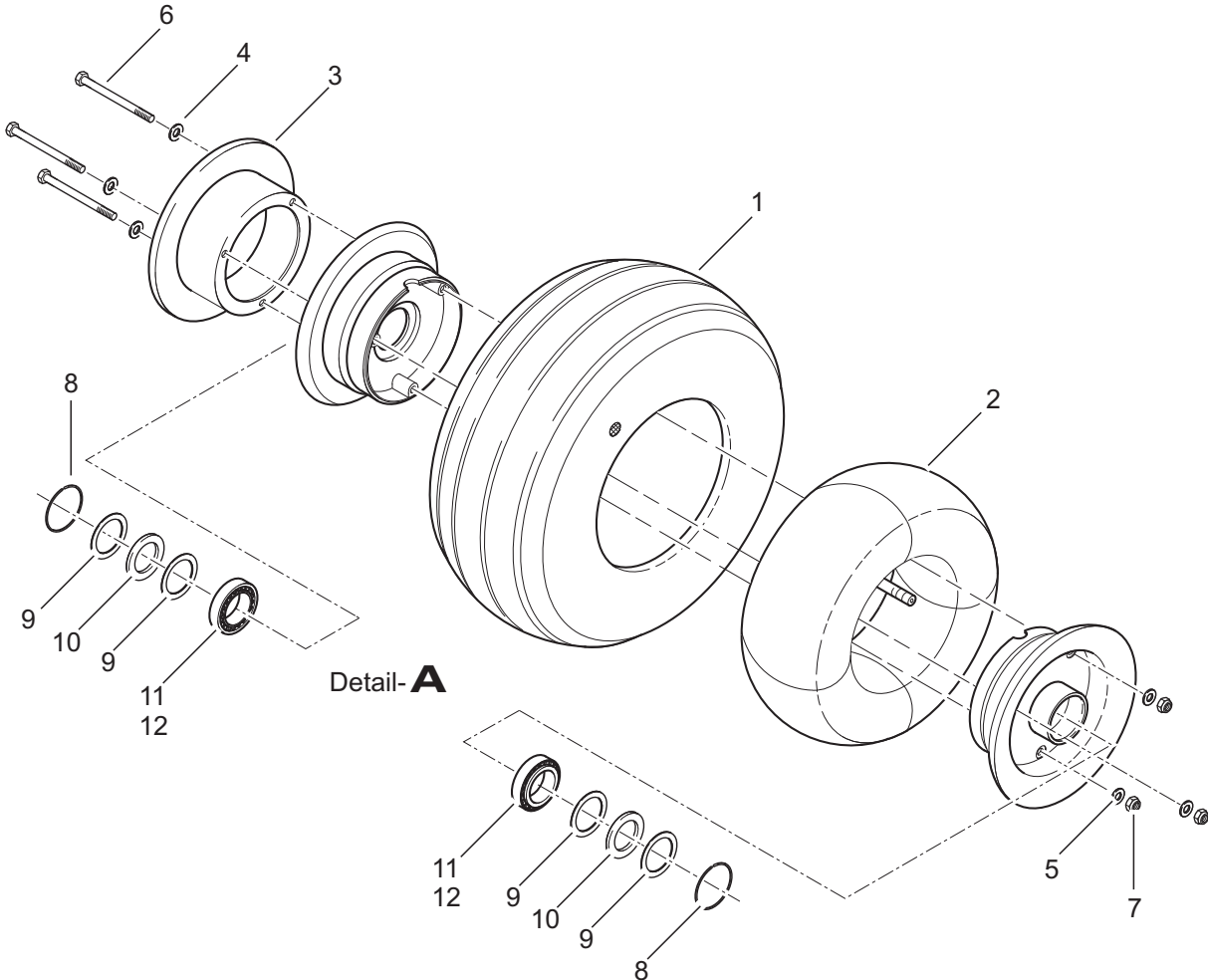
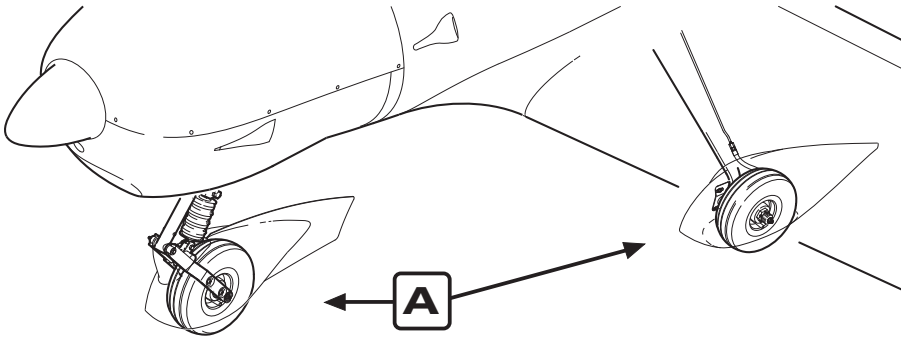
Wheel Assembly  
Figure 2B

Fig. Item	QTY	Part Number	Nomenclature	Effectivity
2B			Wheel Assembly	Beringer RF-018 / RA-014
1	1	AT01-4590-104	tire (5.00-5 / 8 ply / tubeless)	
2	1	AT01-5040-122	inner main wheel half	main wheel
-2	1	AT01-5150-134	inner nose wheel half	nose wheel
3	1	AT01-5040-120	outer wheel half	
4	1	AT01-5040-104	inner bearing	
5	1	AT01-5040-105	outer bearing	
6	1	AT01-5040-106	inner circlip	
7	1	AT01-5040-107	outer circlip	
8	1	AT01-5040-109	valve	
9	1	AT01-5040-110	large O-ring	
10	8	AT01-5040-119	bolt	
11	20	AT01-5040-121	clip	main wheel
12	20	AT01-5040-116	clip screw	main wheel

Service Kits & Tools

AT01-5040-005	main wheel Beringer RF-018 (incl. rim, brake disc & tire)
AT01-5150-008	nose wheel Beringer RA-014 (incl. rim & tire)
1391108	tire change tool for Beringer wheels

- Item not illustrated



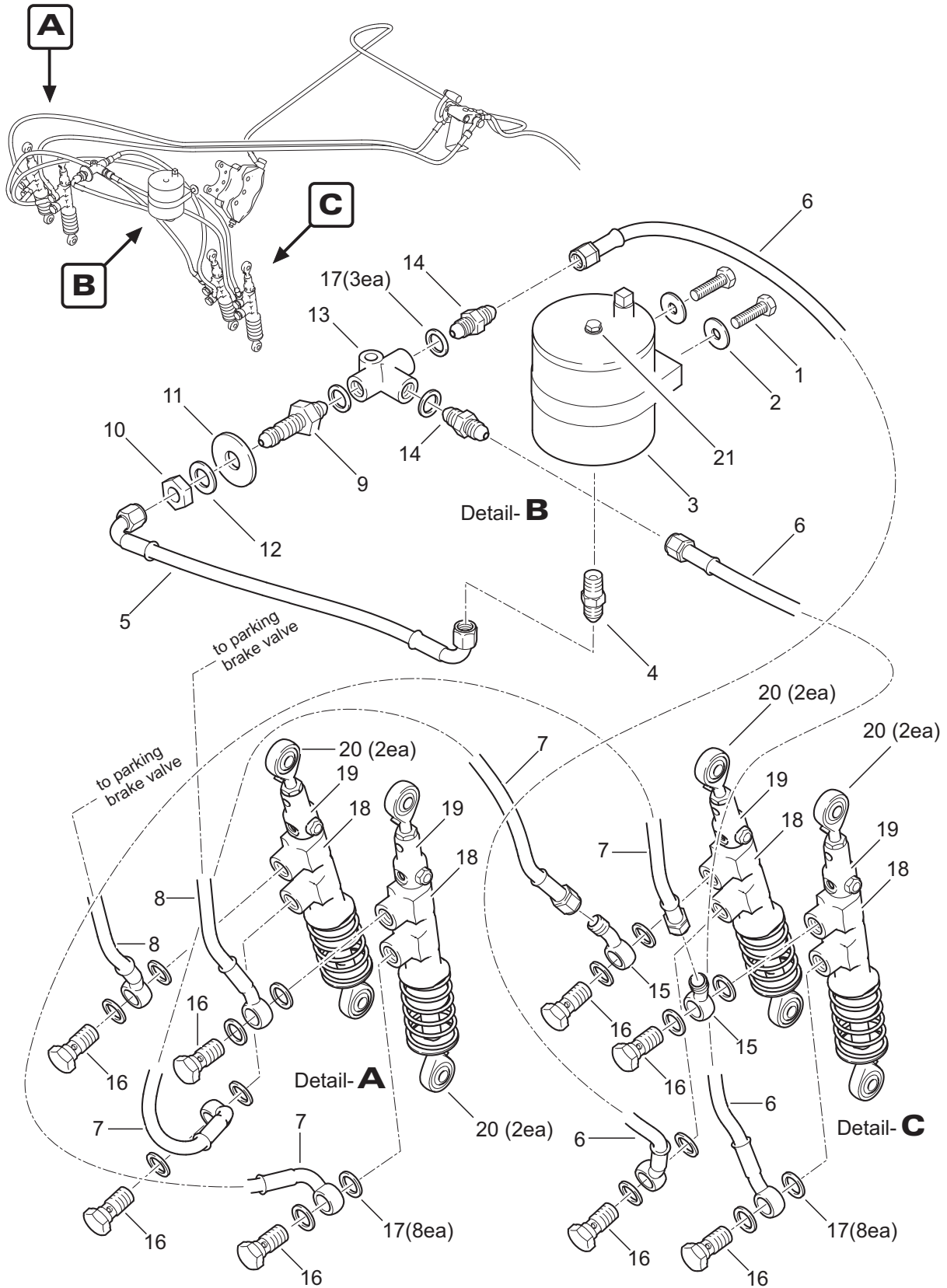
**EFFECTIVITY**  
Aircraft equipped  
with Cleveland/  
Grove wheels

Wheel Assembly  
Figure 2C



Fig. Item	QTY	Part Number	Nomenclature	Effectivity
2C			Wheel Assembly	Cleveland/Grove
1	1	AT01-4590-102	tire Michelin	Michelin
		AT01-4590-103	tire Goodyear	Goodyear
2	1	AT01-4590-112	tube Michelin (use with Michelin tires only)	Michelin
		AT01-4590-113	tube Goodyear (use with Goodyear tires only)	Goodyear
		<u>Cleveland wheels</u>		Cleveland
3	1	AT01-5020-100	brake disc	main wheel
4	3	AT01-5020-357	washer (AN960-416L)	nose wheel
5	3	AT01-5020-357	washer (AN960-416L)	
6	3	AT01-5020-355	bolt (AN4-22A)	
7	3	AT01-5020-356	nut (MS21042-4)	
8	2	155-00200	retaining ring	
9	4	153-00800	ring grease seal	
10	2	154-00600	felt grease seal	
11	2	214-00300	cup bearing	main wheel
		AT01-5150-200	cup bearing	nose wheel
12	2	214-00400	cone bearing	main wheel
		AT01-5150-201	cone bearing	nose wheel
		<u>Grove wheels</u>		Grove
3	1	AT01-5020-302	brake disc	main wheel
4	3	AT01-5020-357	washer (AN960-416L)	nose wheel
5	3	AT01-5020-366	washer (AN960-416)	main wheel
		AT01-5020-357	washer (AN960-416L)	nose wheel
6	3	AT01-5020-365	bolt (AN4-23A)	main wheel
		AT01-5020-355	bolt (AN4-22A)	nose wheel
7	3	AT01-5020-370	nut (MS21044-N4)	
8	2	AT01-5020-362	retaining ring	
9	4	AT01-5020-363	ring grease seal	
10	2	AT01-5020-364	felt grease seal	
11	2	AT01-5150-200	cup bearing	
12	2	AT01-5150-201	cone bearing	
		<u>Service Kits &amp; Tools</u>		
		AT01-5040-001	main wheel Cleveland (incl. rim, brake disc, tire & tube)	Cleveland
		AT01-5150-003	nose wheel Cleveland (incl. rim, tire & tube)	Cleveland
		AT01-5040-003	main wheel Grove (incl. rim, brake disc, tire & tube)	Grove
		AT01-5150-004	nose wheel Grove (incl. rim, tire & tube)	Grove

- Item not illustrated

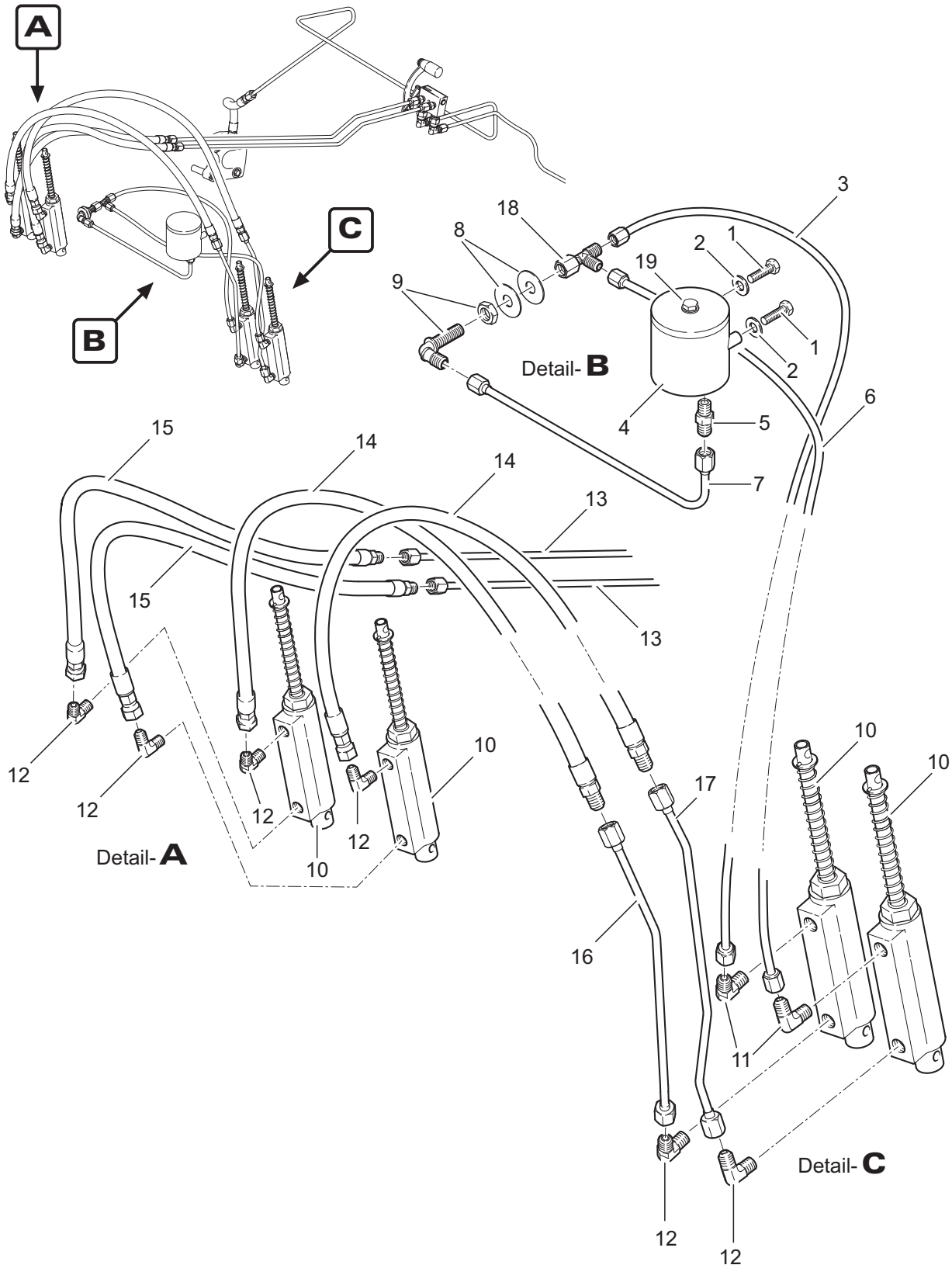


**EFFECTIVITY**  
Aircraft equipped  
with Beringer wheels

Brake System Installation - Front  
Figure 3A

Fig. Item	QTY	Part Number	Nomenclature	Effectivity
3A			Brake System Installation - Front	Beringer
1	2	1800933_M6x20	bolt (ISO 4017 M6x20 8.8)	
2	2	1809021_6,4	washer (ISO 7093 6,4x18)	
3	1	AT01-5020-102	brake fluid reservoir	
4	1	AT01-4520-302	fitting 1/8"NPTF - 3/8"UNF	
5	1	AT01-5020-023	brake hose reservoir / bulkhead	300-366, 368-369
	1	AT01-5020-034	brake hose reservoir / bulkhead (modified firewall)	367, 370-999
6	2	AT01-5020-024	brake hose bulkhead / pilot	
7	2	AT01-5020-027	brake hose pilot / co-pilot	
8	2	AT01-5020-028	brake hose co-pilot / parking brake valve	
9	1	AT01-4520-303	bulkhead fitting	
10	1	AT01-4520-304	bulkhead fitting nut	
11	1	AT01-4540-103	washer (10,5x30x1,5)	
12	1	1800433_10,5	washer (ISO 7092 10,5x18)	
13	1	AT01-4520-286	T-fitting (replaced by item 22)	
14	2	AT01-4520-293	fitting 3/8"UNF (replaced by item 22)	
15	2	AT01-4520-291	banjo fitting 20° 3/8"UNF	
16	8	AT01-4520-294	banjo bolt	
17	19	AT01-4520-295	copper sealing	
18	4	AT01-6040-145	brake master cylinder Beringer	
19	4	AT01-6040-146	extender	
20	8	AT01-6040-147	rod end	
21	1	AT01-5020-623	sealing washer	
-22	1	AT01-4520-374	T-fitting (replaces items 13, 14 and 3x 17)	

- Item not illustrated

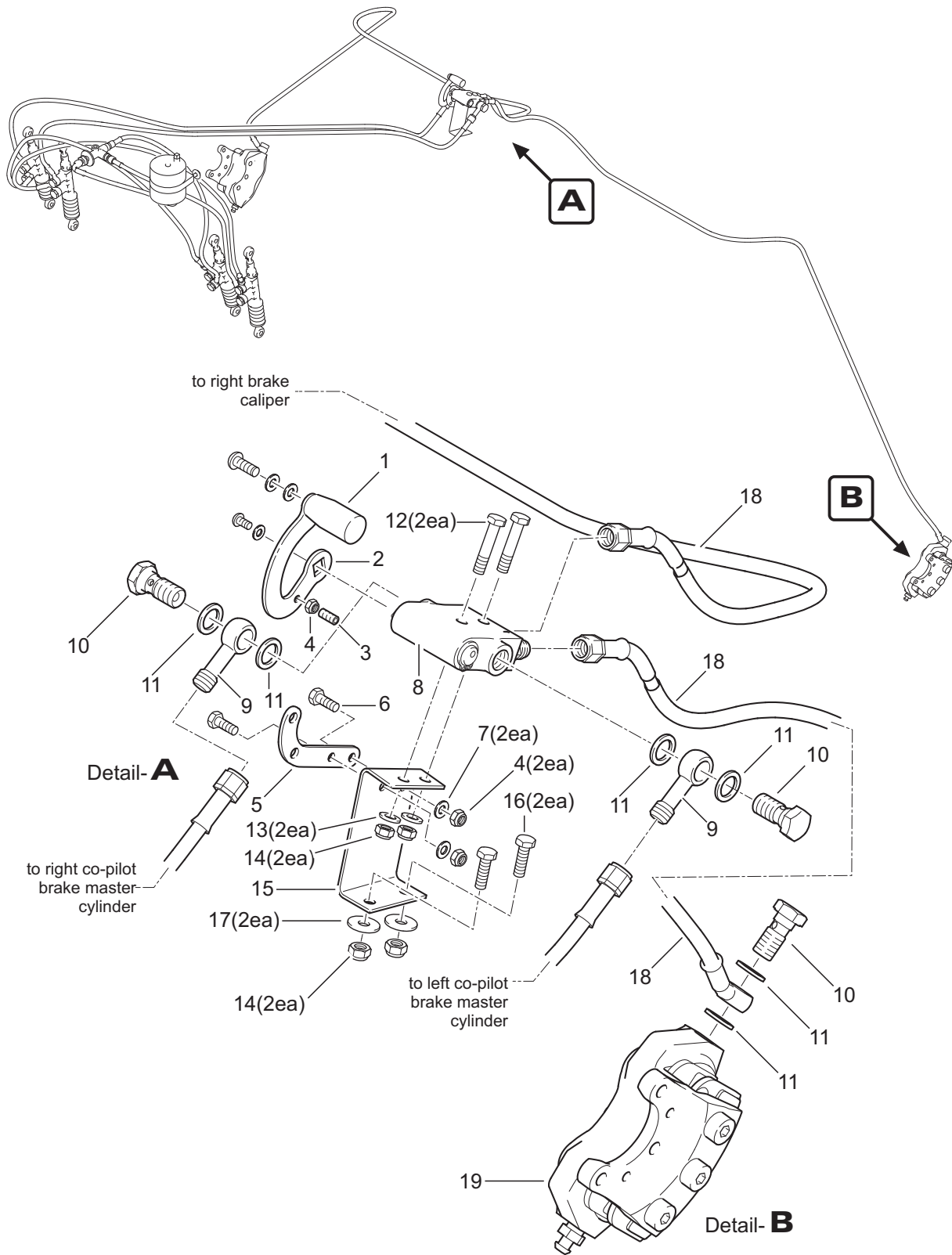


**EFFECTIVITY**  
 Aircraft equipped  
 with Cleveland/  
 Grove wheels

Brake System Installation - Front  
 Figure 3B

Fig. Item	QTY	Part Number	Nomenclature	Effectivity
3B			Brake System Installation - Front	Cleveland/Grove
1	2	1800933_M6x20	bolt (ISO 4017 M6x20 8.8)	
2	2	1809021_6,4	washer (ISO 7093 6,4x18)	
3	1	AT01-4520-420	PTFE hose	
4	1	AT01-5020-102	brake fluid reservoir	
5	1	AT01-4520-235	fitting	
6	1	AT01-4520-420	PTFE hose	
7	1	AT01-5020-002	brake line	300-366, 368-369
		AT01-5020-035	brake line	367, 370-999
		AT01-4520-160	elbow fitting	367, 370-999
8	2	1809022_12,5x35	washer (DIN 9022 12,5x35)	
9	1	AT01-4520-208	bulkhead elbow	
10	4	AT01-6040-106	brake master cylinder Cleveland	Cleveland
- 10	4	AT01-6040-138	brake master cylinder Matco	Matco
11	2	AT01-4520-207	elbow	
12	6	AT01-4520-204	elbow	
13	2	AT01-5020-015	brake line	
14	2	AT01-5020-012	brake hose	
15	2	AT01-5020-013	brake hose	
16	1	AT01-5020-011	brake line RH	
17	1	AT01-5020-009	brake line LH	
18	1	AT01-4520-232	T-fitting	
19	1	AT01-5020-623	sealing washer	

- Item not illustrated

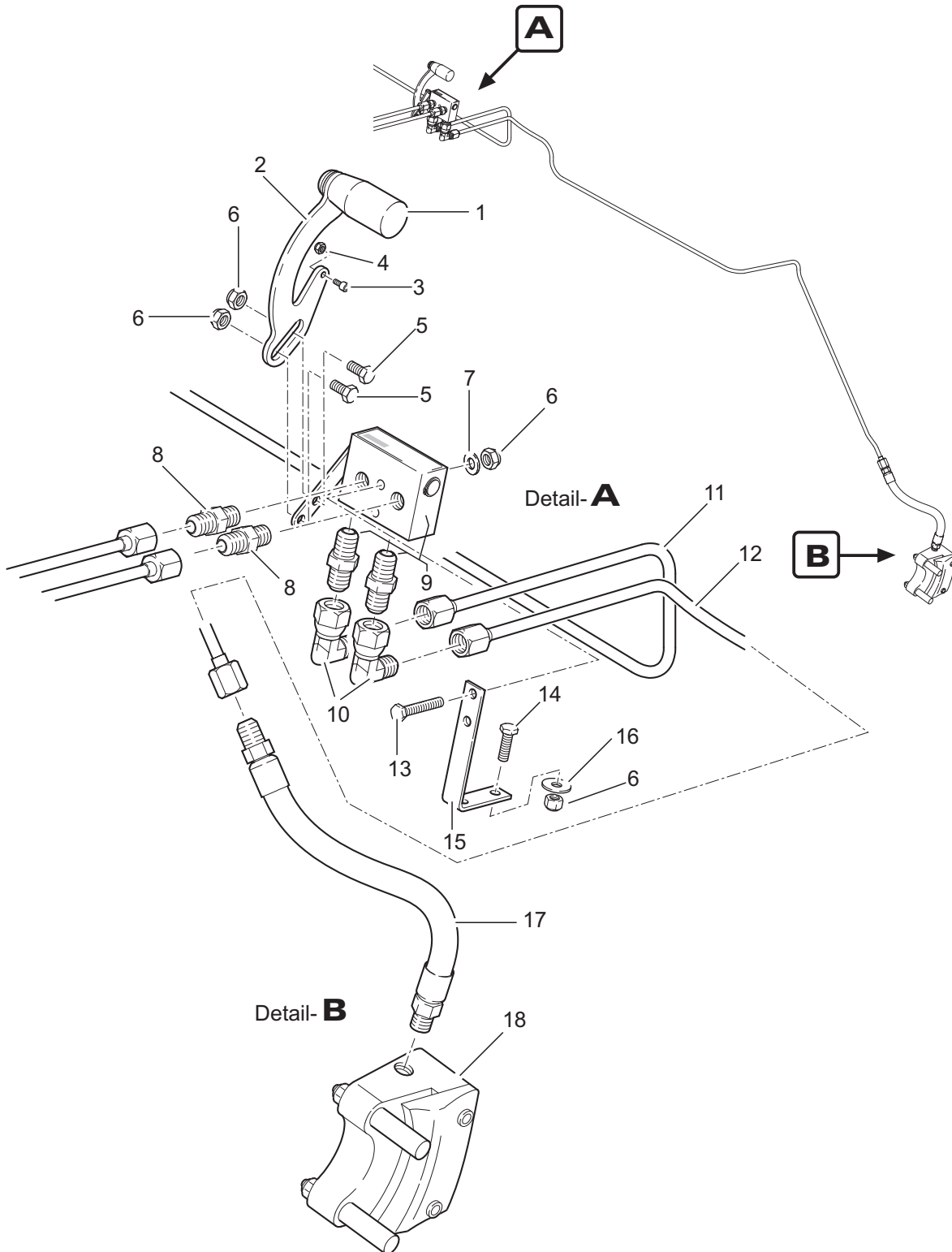


**EFFECTIVITY**  
 Aircraft equipped  
 with Beringer wheels

Brake System Installation - Rear  
 Figure 4A

Fig. Item	QTY	Part Number	Nomenclature	Effectivity
4A			Brake System Installation - Rear	Beringer
1	1	AT01-1860-612	knob	
2	1	AT01-5020-120	parking brake valve lever (contained in parking brake valve)	
3	1	AT01-1860-111	plunger M4x9	
4	3	1800985_M4	locknut (ISO 10511 M4)	
5	1	AT01-5020-121	catch plate	
6	2	1800933_M4x10	bolt (ISO 4017 M4x10 8.8)	
7	2	1800125_4,3	washer (ISO 7089 4,3x9)	
8	1	AT01-5020-154	parking brake valve Beringer (incl. lever)	
9	2	AT01-4520-305	banjo fitting	
10	4	AT01-4520-294	banjo bolt	
11	8	AT01-4520-295	copper sealing	
12	2	1800933_M5x25	bolt (ISO 4017 M5x25 8.8)	
13	2	1800125_5,3	washer (ISO 7089 5,3x10)	
14	4	1800985_M5	locknut (ISO 10511 M5)	
15	1	AT01-5020-119	fixing bracket	
16	2	1800933_M5x16	bolt (ISO 4017 M5x16 8.8)	
17	2	1809021_5,3	washer (ISO 7093 5,3x15)	
18	2	AT01-5020-031	brake hose parking brake valve / brake caliper	
19	2	AT01-5020-033	brake caliper Beringer (modified)	

- Item not illustrated



**EFFECTIVITY**

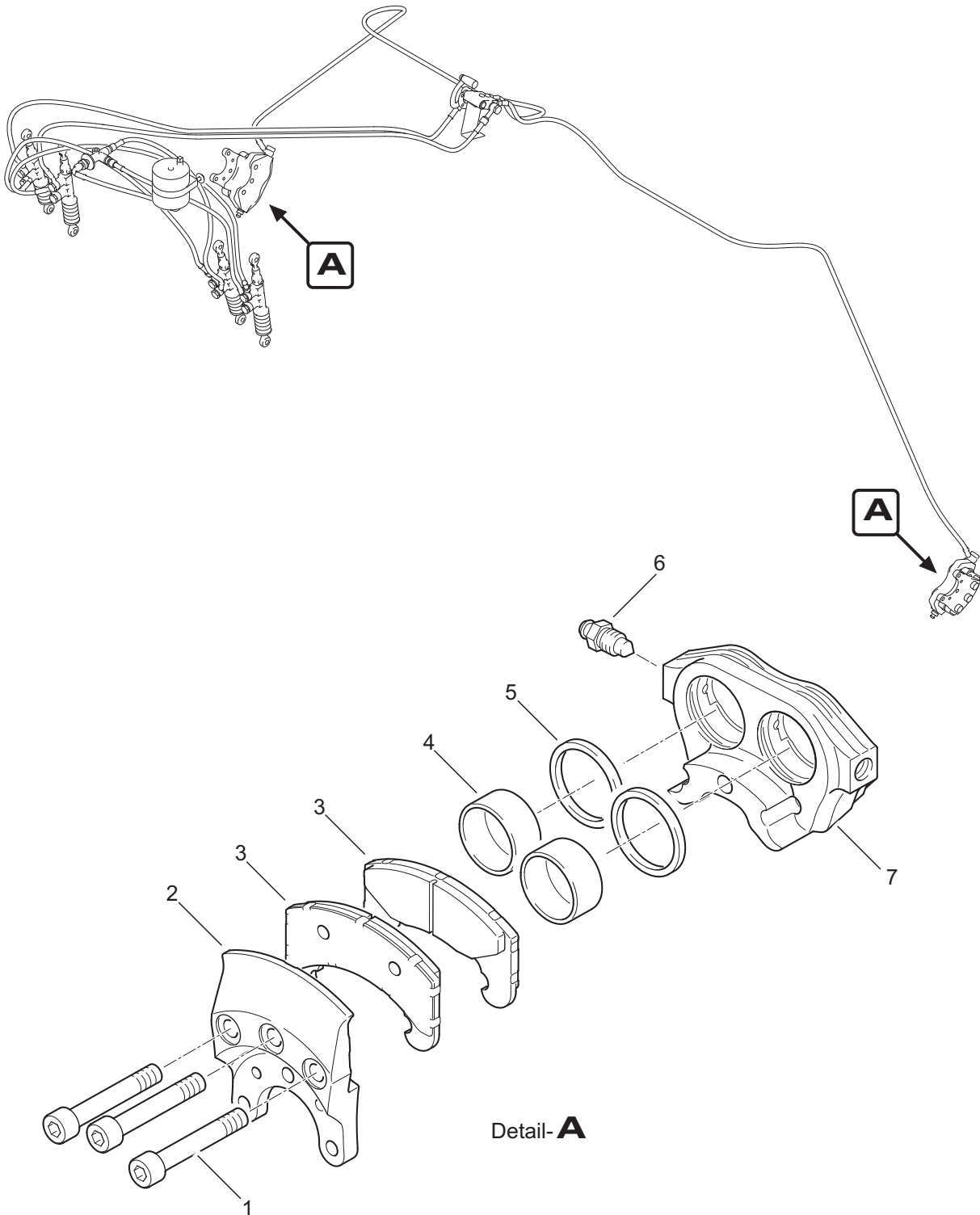
Aircraft equipped  
 with Cleveland/  
 Grove wheels

Brake System Installation - Rear  
 Figure 4B



Fig. Item	QTY	Part Number	Nomenclature	Effectivity
4B			Brake System Installation - Rear	Cleveland/Grove
1	1	AT01-1860-612	knob	
2	1	AT01-5020-106	lever	
3	1	AT01-1860-111	plunger M4x9	
4	1	1800985_M4	locknut (ISO 10511 M4)	
5	2	1800933_M5x12	bolt (ISO 4017 M5x12 8.8)	
6	6	1800985_M5	locknut (ISO 10511 M5)	
7	2	1800125_5,3	washer (ISO 7089 5,3x10)	
8	2	AT01-4520-235	fitting	
9	1	AT01-5020-153	parking brake valve	
10	2	AT01-4520-160	elbow	
11	1	AT01-5020-017	brake line RH	
12	1	AT01-5020-016	brake line LH	
13	2	1800933_M5x30	bolt (ISO 4017 M5x30 8.8)	
14	2	1800933_M5x16	bolt (ISO 4017 M5x16 8.8)	
15	1	AT01-5020-103	fixing bracket	
16	2	1809021_5,3	washer (ISO 7093 5,3x15)	
17	2	AT01-5020-022	brake hose	
18	2	AT01-5020-004	brake caliper Cleveland	Cleveland
		AT01-5020-340	brake caliper Grove	Grove

- Item not illustrated

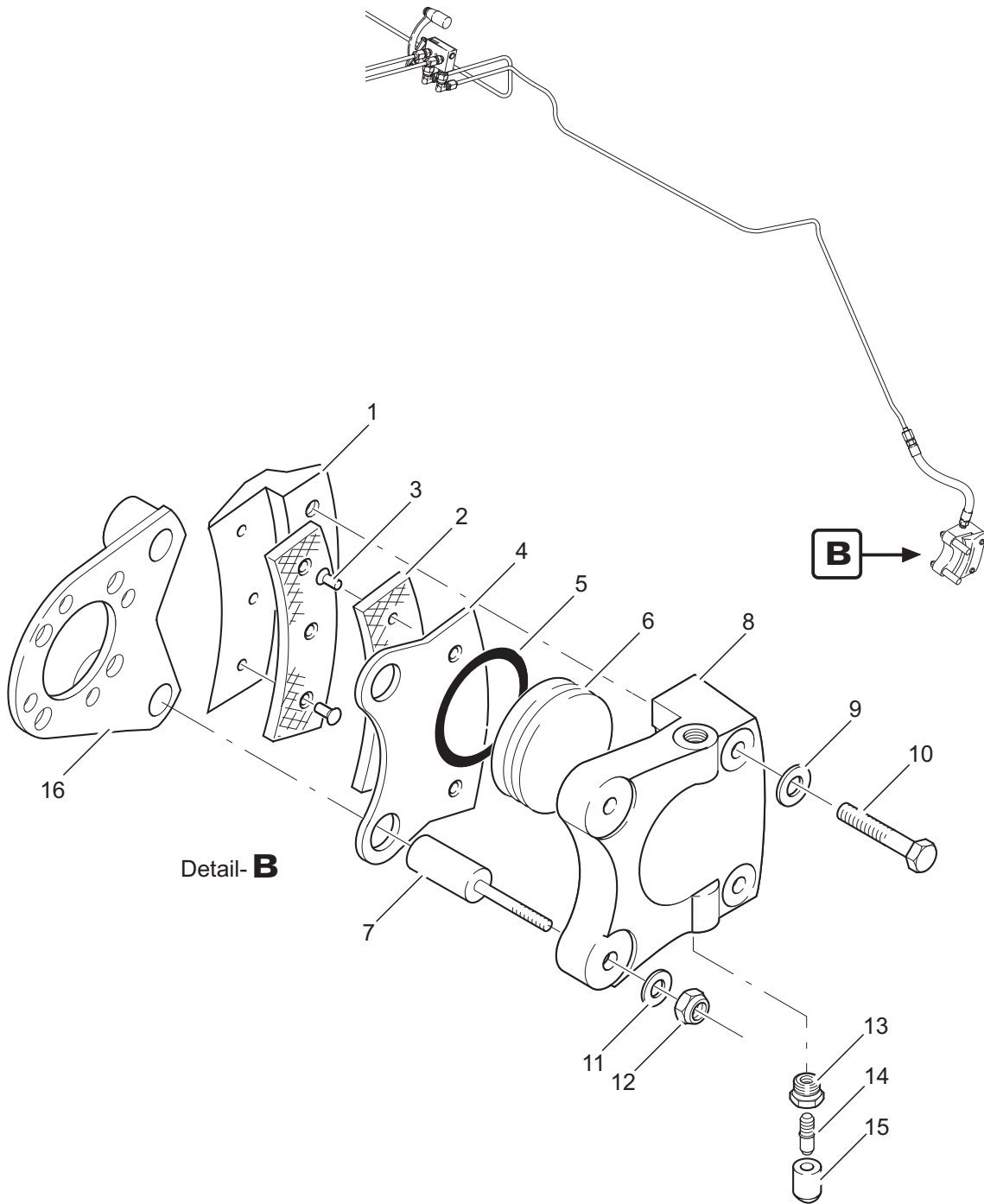


**EFFECTIVITY**  
Aircraft equipped  
with Beringer wheels

Brake Caliper Assembly  
Figure 5A

Fig. Item	QTY	Part Number	Nomenclature	Effectivity
5A			Brake Caliper Assembly	Beringer
	1	3	AT01-5020-117	assembly screw
	2	1	AT01-5020-123	back plate (modified)
	3	2	AT01-5020-115	brake pad
	4	2	AT01-5020-113	piston
	5	2	AT01-5020-114	piston seal
	6	1	AT01-5020-116	bleeder
	7	1	AT01-5020-112	cylinder

- Item not illustrated



**EFFECTIVITY**

Aircraft equipped  
 with Cleveland/  
 Grove wheels

Brake Caliper Assembly  
 Figure 5B

Fig. Item	QTY	Part Number	Nomenclature	Effectivity
5B			Brake Caliper Assembly	Cleveland/Grove
		<u>Cleveland calipers</u>		Cleveland
1	1	AT01-5020-611	back plate	
2	2	AT01-5020-353	lining	
3	6	AT01-5020-354	rivet	
4	1	AT01-5020-610	pressure plate	
5	1	AT01-5020-600	O-ring	
6	1	AT01-5020-612	piston	
7	2	AT01-5020-601	anchor bolt	
8	1	AT01-5020-603	cylinder	
9	2	AT01-5020-604	washer	
10	2	AT01-5020-355	bolt (AN4H15A)	
11	2	AT01-5020-605	washer	
12	2	AT01-5020-356	nut anchor (MS21044-N4)	
13	1	AT01-5020-607	seat (bleeder)	
14	1	AT01-5020-608	screw (bleeder)	
15	1	AT01-5020-609	cap (bleeder)	
16	1	AT01-5020-351	torque plate LH	
- 17	1	AT01-5020-352	torque plate RH	
		<u>Grove calipers</u>		Grove
1	1	AT01-5020-618	back plate	
2	2	AT01-5020-360	lining	
3	6	AT01-5020-361	rivet	
4	1	AT01-5020-619	pressure plate	
5	1	AT01-5020-622	O-ring	
6	1	AT01-5020-617	piston	
7	2	AT01-5020-620	torque pin	
8	1	AT01-5020-621	cylinder	
9	2	AT01-5020-366	washer	
10	2	AT01-5020-367	bolt (AN4H15A)	
11	2	AT01-5020-368	washer	
12	2	AT01-5020-369	nut anchor (MS21044-N4)	
13	1	AT01-5020-615	seat (bleeder)	
14	1	AT01-5020-615	screw (bleeder)	
15	1	AT01-5020-616	cap (bleeder)	
16	1	AT01-5020-358	torque plate LH	
- 17	1	AT01-5020-359	torque plate RH	

- Item not illustrated





**AQUILA AT01-100/200**  
**ILLUSTRATED PARTS CATALOG**

---

**CHAPTER 33**

**LIGHTS**



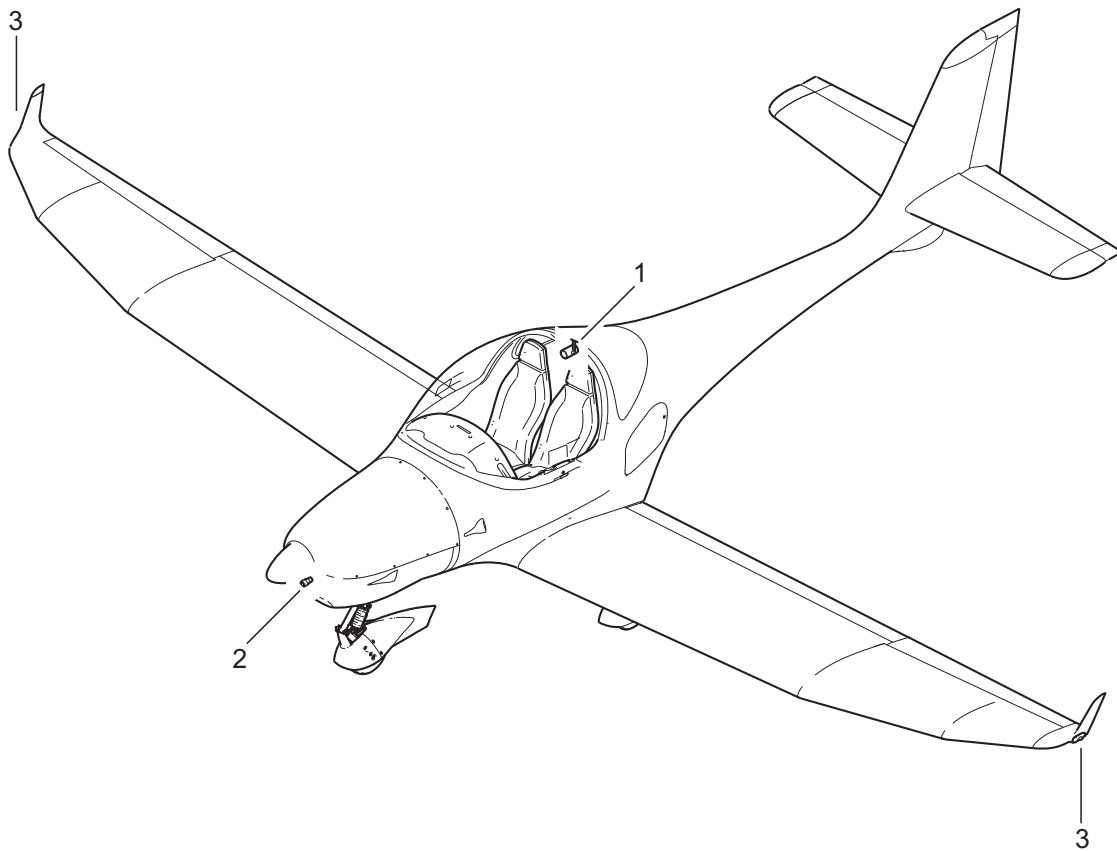


**TABLE OF CONTENTS**

<u>Title</u> <u>Subject</u>	<u>Chapter</u> <u>Section</u> <u>Subject</u>	<u>Page</u>	<u>Effectivity</u>
LIGHTS - GENERAL	33-00-00	1	
Lights - General	33-00-00	2	
INTERIOR LIGHTS	33-10-00	1	
Cabin Light	33-10-00	2	
EXTERIOR LIGHTS	33-40-00	1	
Landing Light	33-40-00	2A	Rotax 912S
Landing Light	33-40-00	2B	Rotax 914F
NAV/Strobe Light	33-40-00	4A	327 - 999
NAV/Strobe Light	33-40-00	4B	300 - 326



**LIGHTS**  
**GENERAL**



Lights - General  
Figure 1

Fig. Item	QTY	Part Number	Nomenclature	Effectivity
1			Lights - General	
	1		Cabin Light (refer to 33-10-00, figure 1 for details)	
	2		Landing Light (refer to 33-40-00, figure 1A for details)	Rotax 912S
	2		Landing Light (refer to 33-40-00, figure 1B for details)	Rotax 914F
	3		NAV/Strobe Light (refer to 33-40-00, figure 2A for details)	327 - 999
	3		NAV/Strobe Light (refer to 33-40-00, figure 2B for details)	300 - 326

- Item not illustrated

Lights - General  
Figure 1

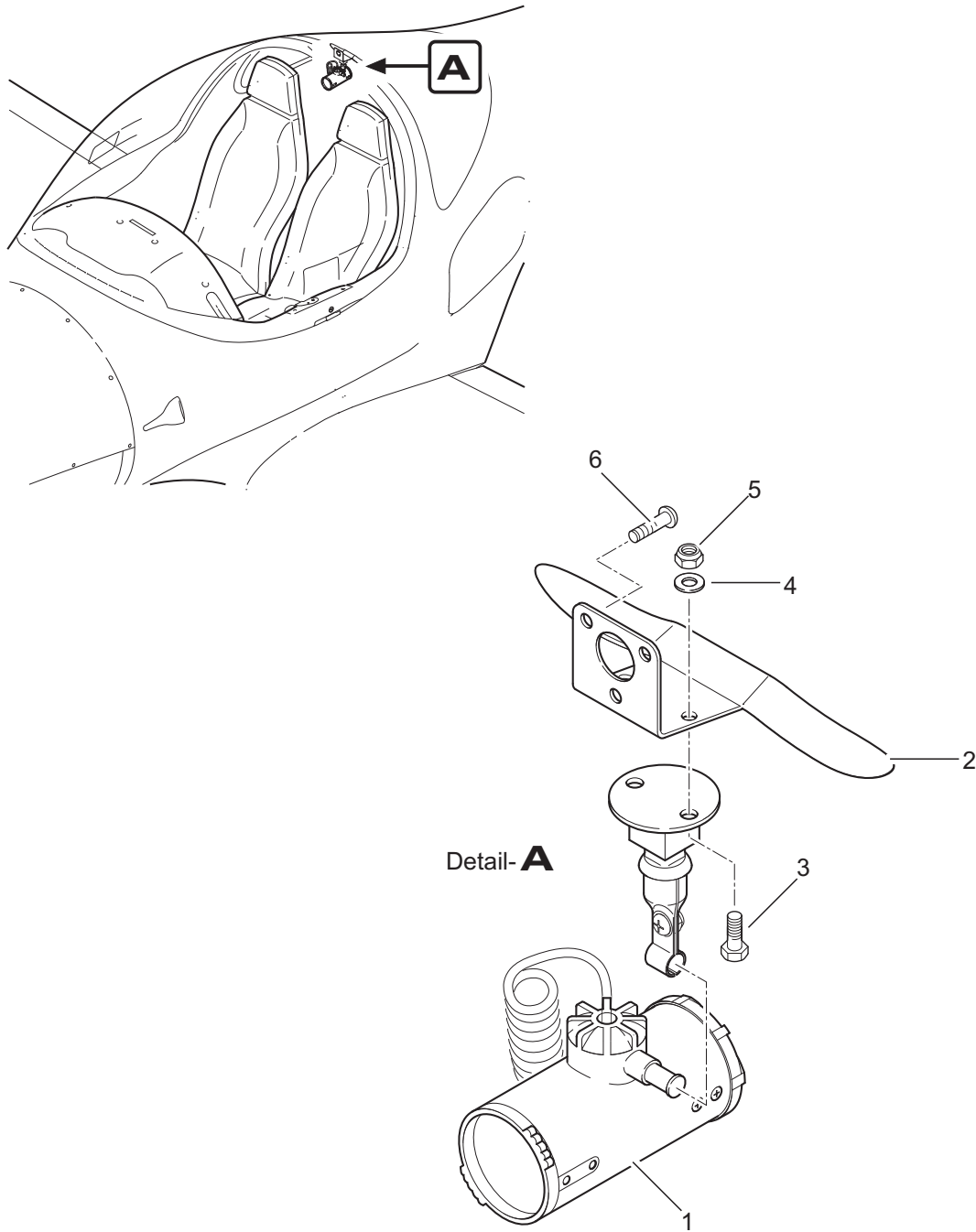
**33-00-00**

Page 3

04.02.21



**INTERIOR LIGHTS**



Cabin Light  
Figure 1



Fig. Item	QTY	Part Number	Nomenclature	Effectivity
1			Cabin Light	
	1	AT01-9340-100	cockpit light C-4A	
	1	AT01-2150-123	headset bracket	
	2	1800933_M5x12	bolt (ISO 4017 M5x12 8.8)	
	2	1800125_5,3	washer (ISO 7089 5,3x10)	
	2	1800985_M5	locknut (ISO 10511 M5)	
	3	1807380_5x16ULS	bolt (ISO 7380 M5x16 ULS)	

- Item not illustrated

Cabin Light  
Figure 1

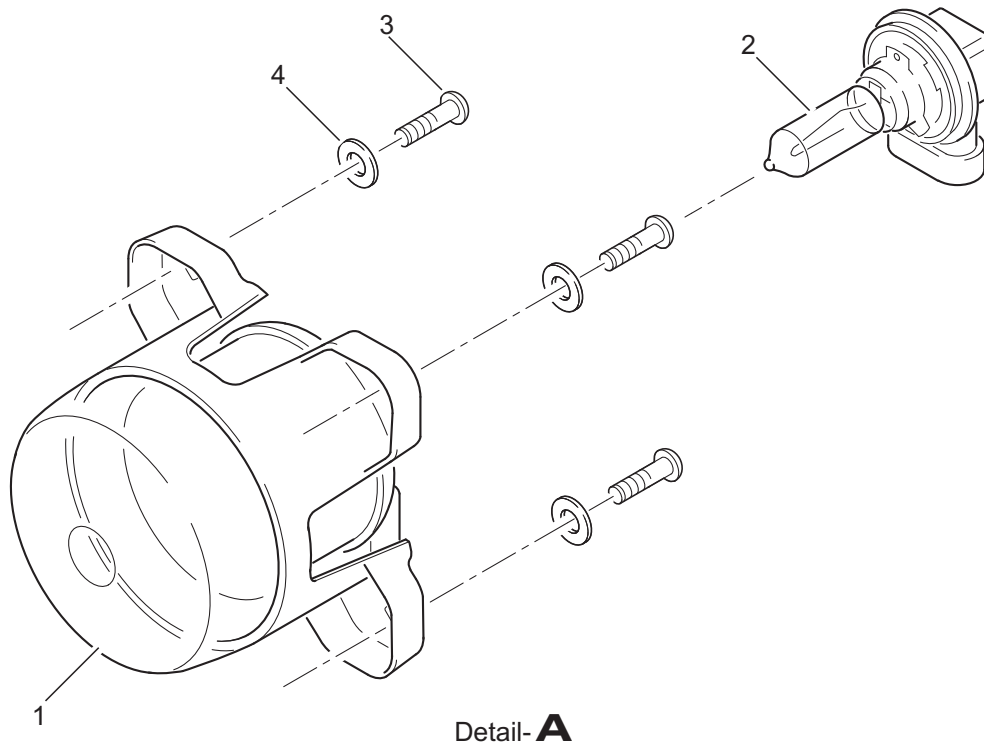
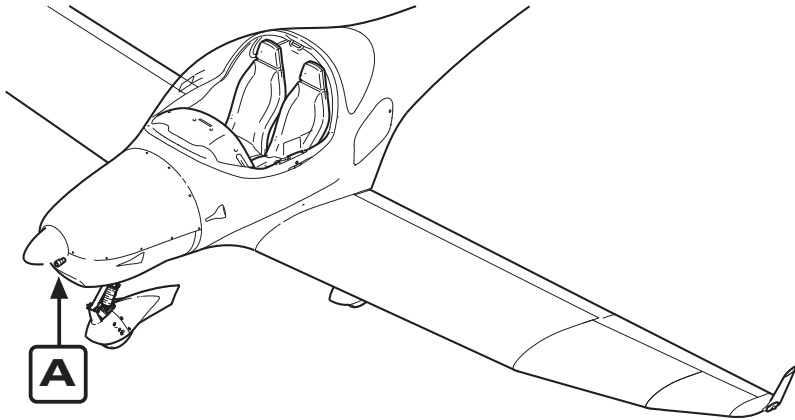
**33-10-00**

Page 3

04.02.21



**EXTERIOR LIGHTS**



Detail-**A**

**EFFECTIVITY**

Aircraft equipped  
with Rotax 912S

Landing Light  
Figure 1A

**33-40-00**

Page 2A

04.02.21

Fig. Item	QTY	Part Number	Nomenclature	Effectivity
1A			Landing Light	Rotax 912S
	1	AT01-9330-003	landing light	
	2	AT01-9330-004	light bulb	
	3	1807380_M5x25ULF	bolt (ISO 7380 M5x25 ULF)	
	4	1809021_5,3	washer (ISO 7093 5,3x15)	

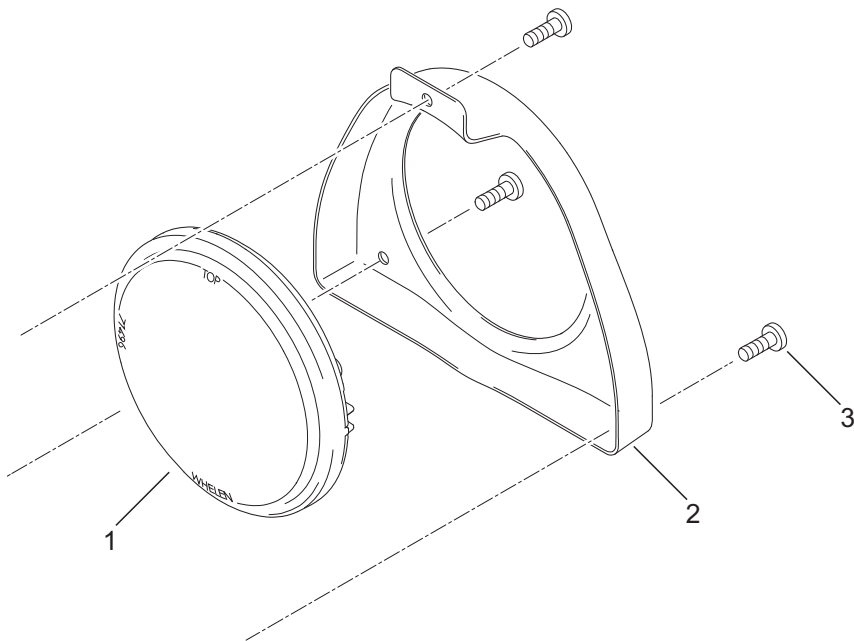
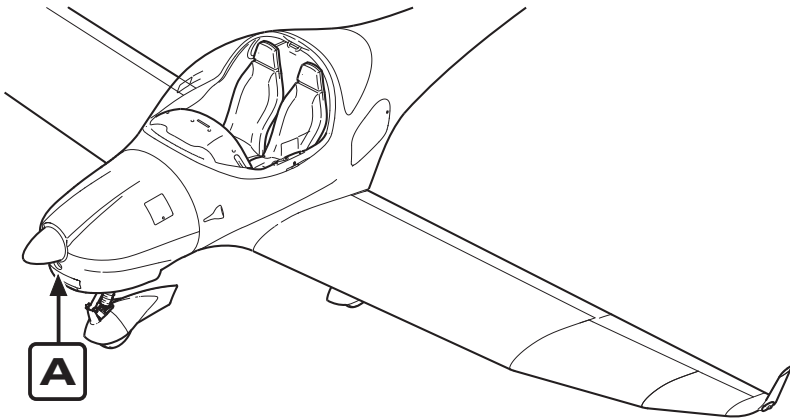
- Item not illustrated

Landing Light  
Figure 1A

**33-40-00**

Page 3A

04.02.21



Detail-**A**

**EFFECTIVITY**

Aircraft equipped  
with Rotax 914F

Landing Light  
Figure 1B

**33-40-00**

Page 2B

04.02.21

Fig. Item	QTY	Part Number	Nomenclature	Effectivity
1B			Landing Light	Rotax 914F
	1	AT01-9330-104	landing light	
	2	AT01-2130-059	mounting bracket	
	3	1807380_M5x16ULF	bolt (ISO 7380 M5x16 ULF)	

- Item not illustrated

Landing Light  
Figure 1B

**33-40-00**

Page 3B

04.02.21

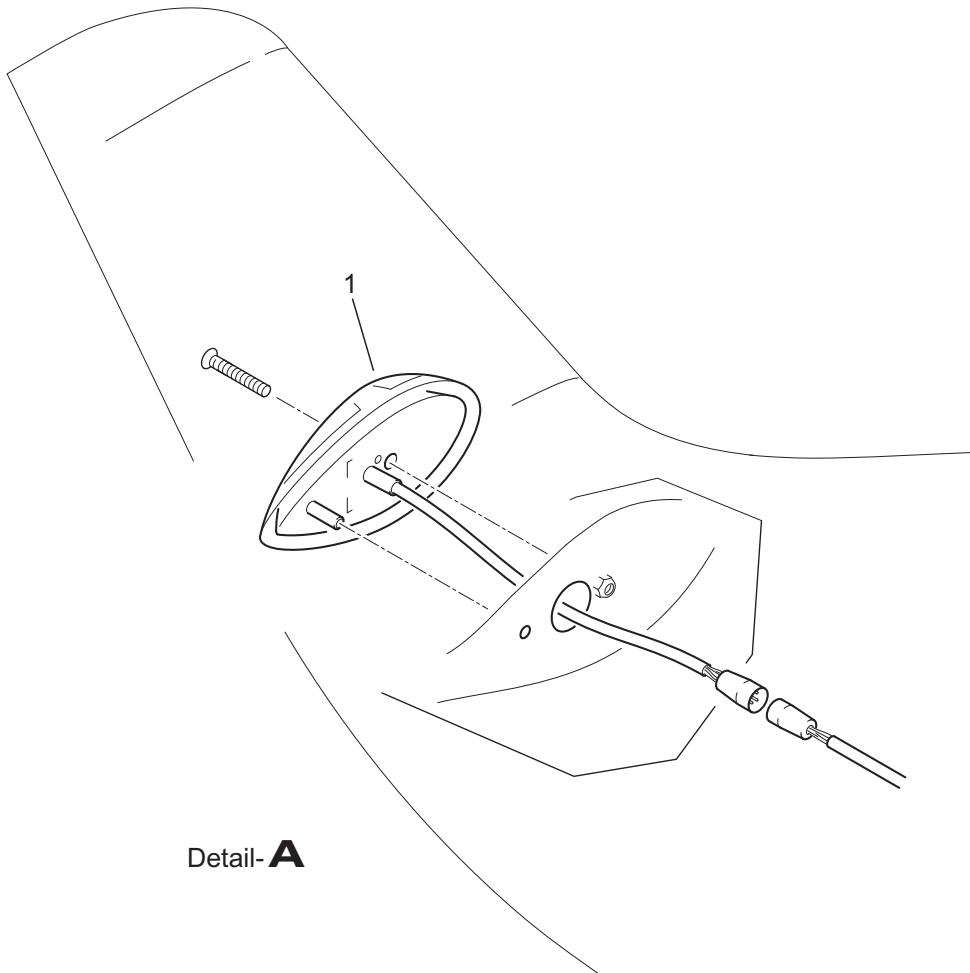
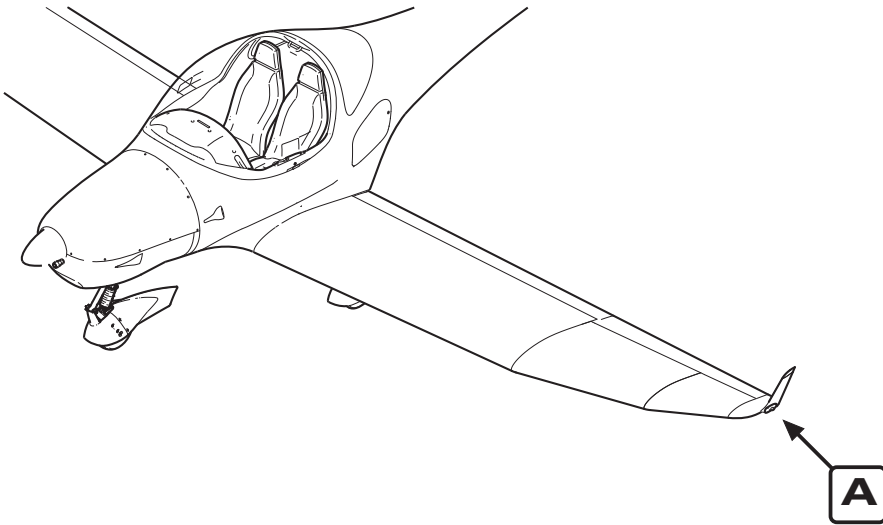




Fig. Item	QTY	Part Number	Nomenclature	Effectivity
2A			NAV/Strobe Light	327 - 999
	1	1	AT01-9310-030	NAV/strobe light LH/red (incl. attachment screw)
	-2	1	AT01-9310-031	NAV/strobe light RH/green (incl. attachment screw)

- Item not illustrated

NAV/Strobe Light  
Figure 2A

**33-40-00**

Page 5A

04.02.21

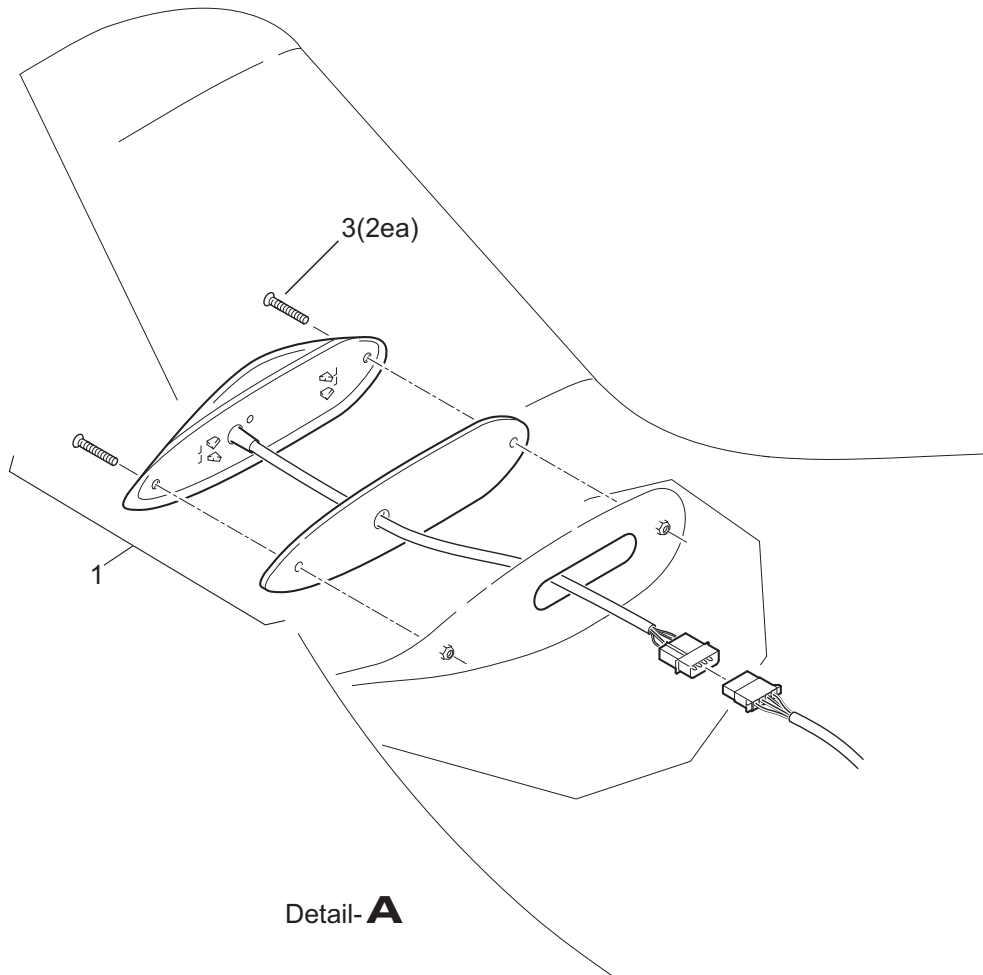
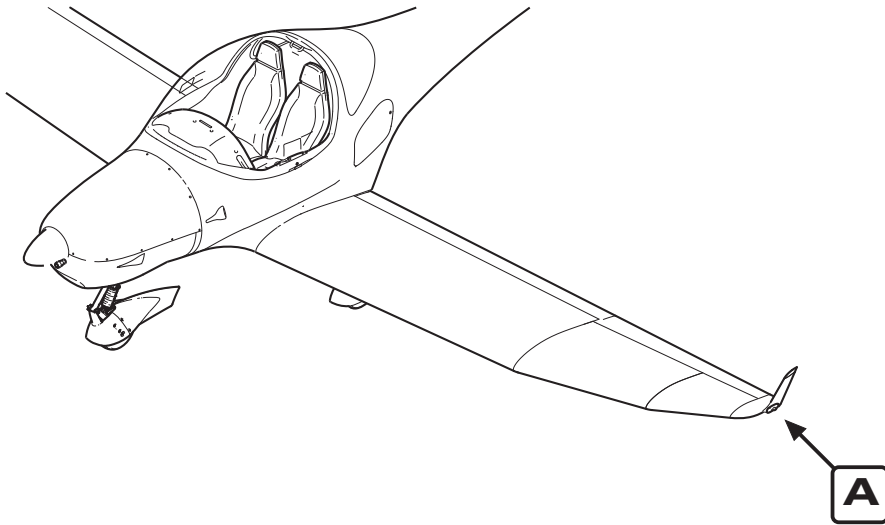


Fig. Item	QTY	Part Number	Nomenclature	Effectivity
2B			NAV/Strobe Light	300 - 326 <sup>1)</sup>
	1	AT01-9310-128	NAV/strobe light LH/red (incl. item 3)	
	-2	AT01-9310-129	NAV/strobe light RH/green (incl. item 3)	
	3	1800965_M3x20	bolt (ISO 7046 M3x20 A2)	

<sup>1)</sup>Refer to SI-AT01-018 (annex 19) for a retrofit of new NAV/strobe lights.





**AQUILA AT01-100/200**  
**ILLUSTRATED PARTS CATALOG**

---

**CHAPTER 71**  
**POWER PLANT**

---



**TABLE OF CONTENTS**

<u>Title</u> <u>Subject</u>	<u>Chapter</u> <u>Section</u> <u>Subject</u>	<u>Page</u>	<u>Effectivity</u>
POWER PLANT - GENERAL	71-00-00	1	
Power Plant - General	71-00-00	2	
COWLING	71-10-00	1	
Cowling / Air Intake Components	71-10-00	2A	Rotax 912S
Cowling Components	71-10-00	2B	Rotax 914F
ENGINE MOUNT	71-20-00	1	
Engine Mount Components	71-20-00	2A	Rotax 912S
Engine Mount Components	71-20-00	2B	Rotax 914F
AIR INDUCTION SYSTEM	71-60-00	1	
Engine Air Intake / Intercooler Installation	71-60-00	2	Rotax 914F



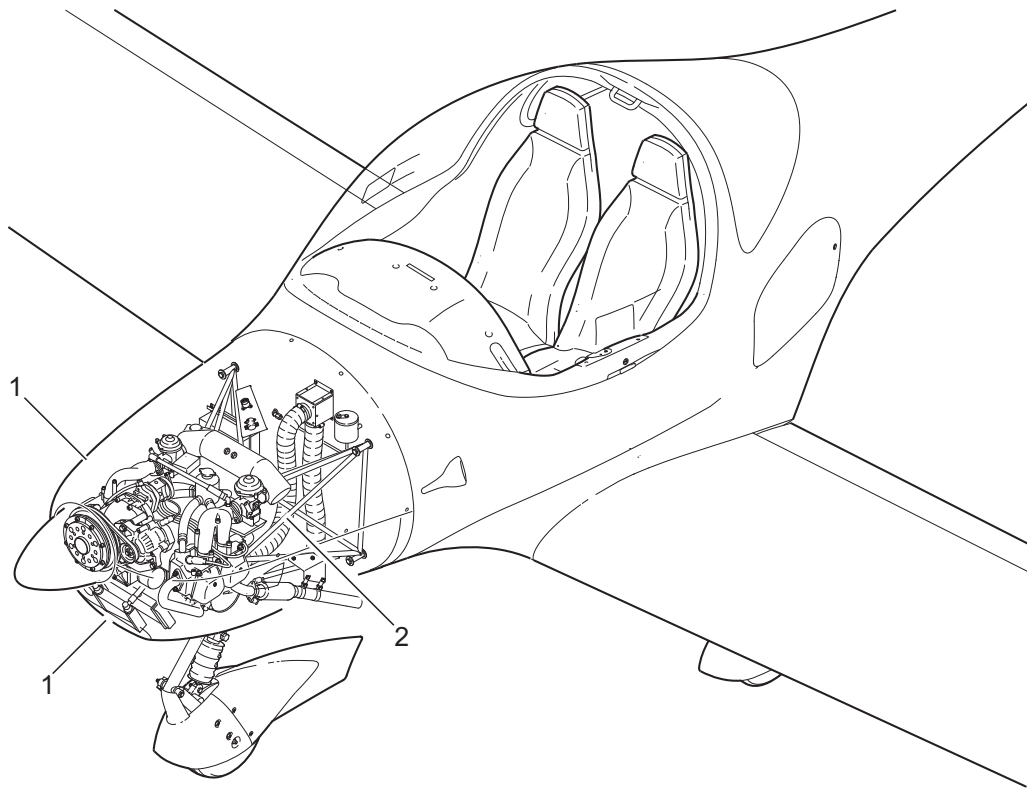




**AQUILA AT01-100/200**  
**ILLUSTRATED PARTS CATALOG**

---

**POWER PLANT**  
**GENERAL**



Power Plant - General  
Figure 1

Fig. Item	QTY	Part Number	Nomenclature	Effectivity
1			Power Plant - General	
	1		Cowling / Air Intake Components (refer to 71-10-00, figure 1A for details)	Rotax 912S
	1		Cowling Components (refer to 71-10-00, figure 1B for details)	Rotax 914F
	2		Engine Mount Components (refer to 71-20-00, figure 1A for details)	Rotax 912S
	2		Engine Mount Components (refer to 71-20-00, figure 1B for details)	Rotax 914F
	-3		Engine Air Intake / Intercooler Installation (refer to 71-60-00, figure 1 for details)	Rotax 914F

- Item not illustrated

Power Plant - General  
Figure 1

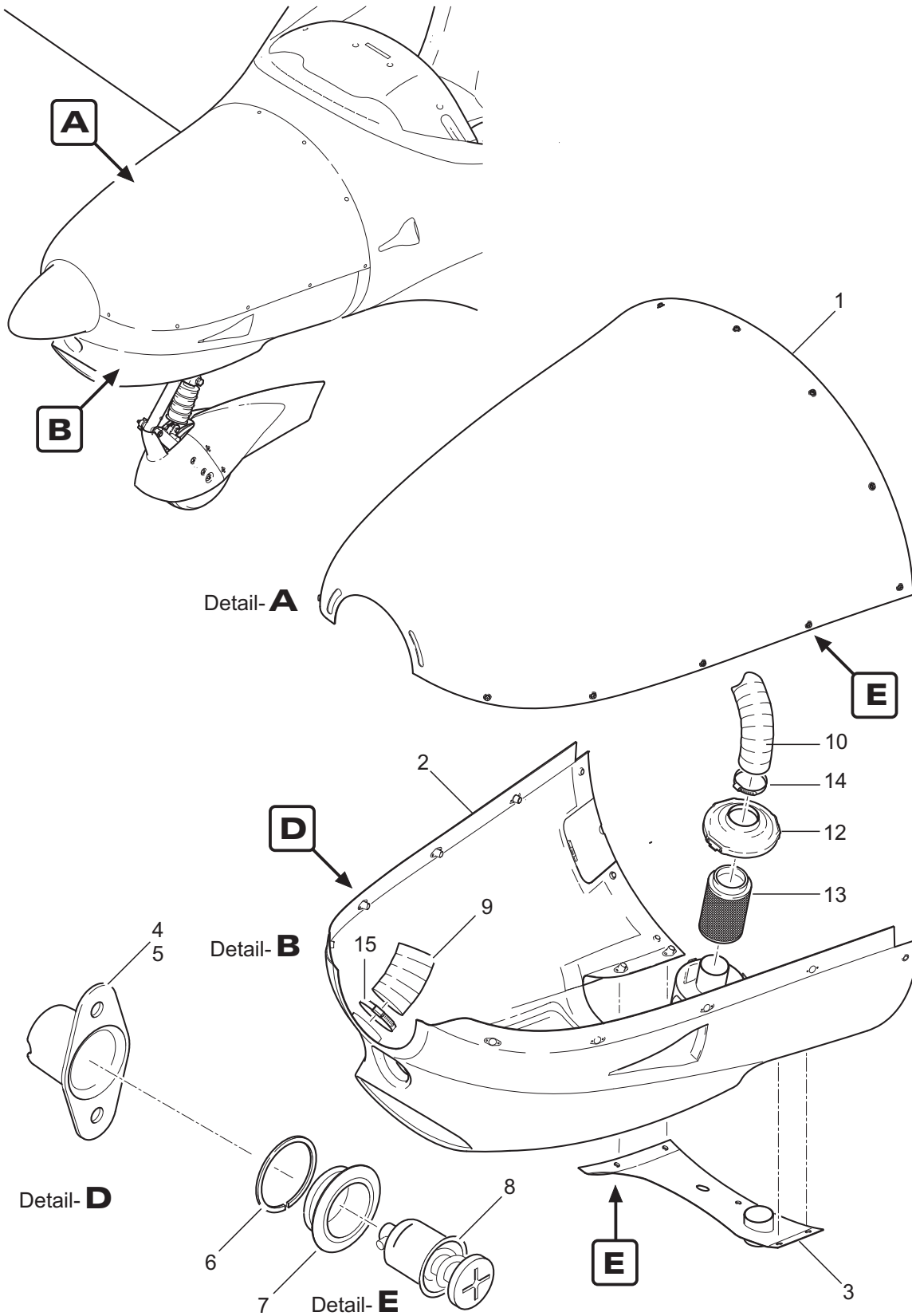
**71-00-00**

Page 3

04.02.21



**COWLING**



**EFFECTIVITY**

Aircraft equipped with Rotax 912S

Cowling / Air Intake Components  
Figure 1A

**71-10-00**

Fig. Item	QTY	Part Number	Nomenclature	Effectivity
1A			Cowling / Air Intake Components	Rotax 912S
1	1	AT01-2130-001-096	upper cowling	
2	1	AT01-2130-013-096	lower cowling	
3	1	AT01-2130-005	cowling air outlet	
4	13	AT01-1840-582	Benloc receptacle	
		AT01-1840-562	Camloc receptacle (optional)	
5	26	1807337_3,2x8 ES/ES	rivet (ISO 15984 3,2x8 A2/A2)	
6	29	AT01-1840-580	Camloc retaining washer	
7	29	AT01-1840-558	Camloc grommet	
8	29	AT01-1840-448	Camloc stud (5mm)	
		AT01-1840-449	Camloc stud (6mm)	
		AT01-1840-550	Camloc stud (7mm)	
9	AR	AT01-4520-558	air hose (red / Ø 83mm / 100mm)	
10	AR	AT01-4520-600	air hose (red / Ø 63mm / 680mm)	
-11	AR	AT01-4520-600	air hose (red / Ø 63mm / 350mm / for preheated air)	
12	1	AT01-7040-004	air box cap	
13	1	AT01-7040-101	air filter	
14	1	AT01-4520_TO50-70/9C7W2	clamp	
15	1	AT01-4520_TO70-90/9C7W2	clamp	

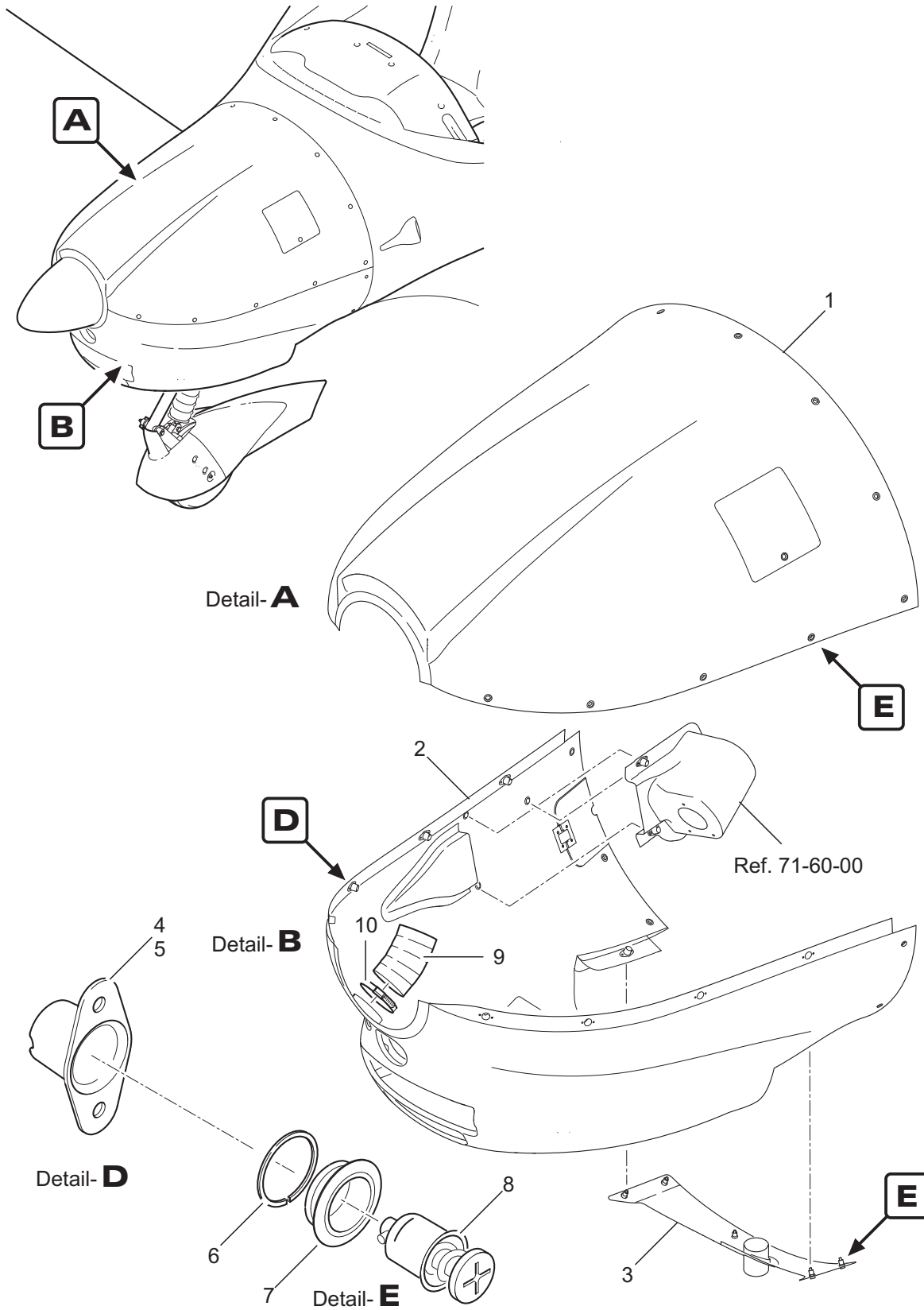
- Item not illustrated

Cowling / Air Intake Components  
Figure 1A

**71-10-00**

Page 3A

04.02.21



**EFFECTIVITY**

Aircraft equipped  
with Rotax 914F

Cowling Components  
Figure 1B

**71-10-00**



Fig. Item	QTY	Part Number	Nomenclature	Effectivity
1B			Cowling Components	Rotax 914F
1	1	AT01-2130-017-096	upper cowling	
2	1	AT01-2130-018-096	lower cowling	
3	1	AT01-2130-057	cowling air outlet	
4	14	AT01-1840-582	Benloc receptacle	
		AT01-1840-562	Camloc receptacle (optional)	
5	18	1807337_3,2x8 ES/ES	rivet (ISO 15984 3,2x8 A2/A2)	
	4	1807337_3,2x6 ES/ES	rivet (ISO 15984 3,2x6 A2/A2 / cowling air outlet)	
	6	1807337B_3,2x6 Al/St	rivet (ISO 15978 3,2x6 Al/St / air filter box)	
6	32	AT01-1840-580	Camloc retaining washer	
7	32	AT01-1840-558	Camloc grommet	
8	32	AT01-1840-448	Camloc stud (5mm)	
		AT01-1840-449	Camloc stud (6mm)	
		AT01-1840-550	Camloc stud (7mm)	
9	AR	AT01-4520-558	air hose (red / Ø 83mm / 100mm)	
10	1	AT01-4520_TO70-90/9C7W2	clamp	

- Item not illustrated

Cowling Components  
Figure 1B

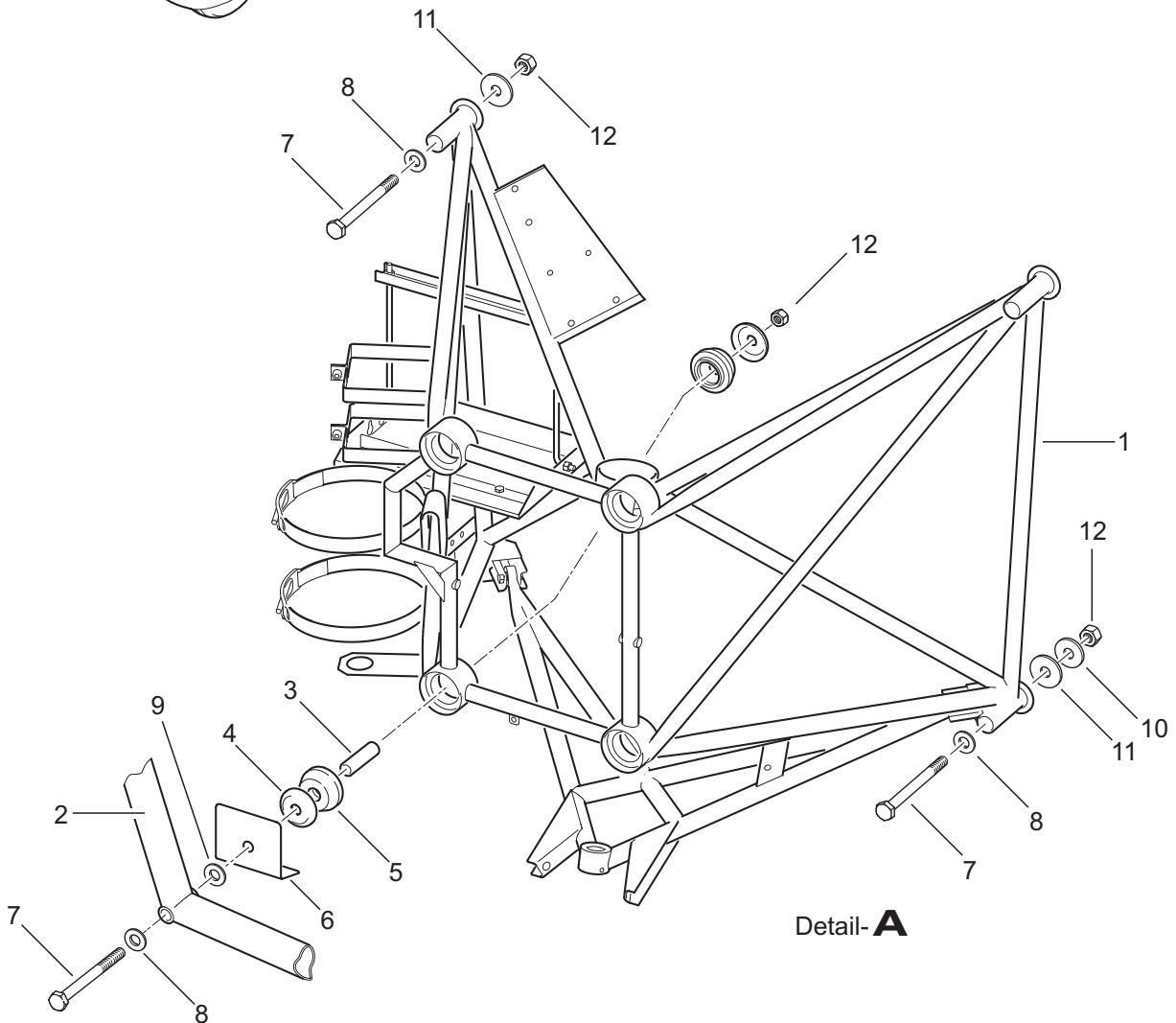
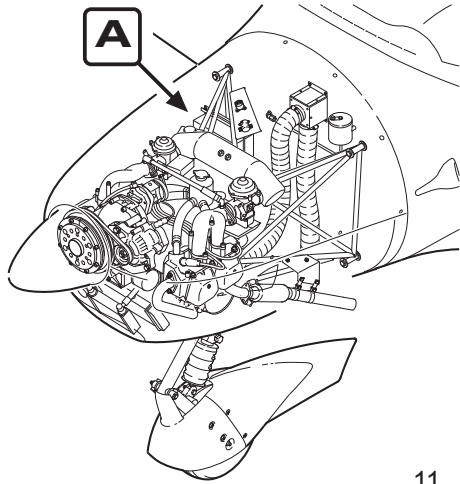
**71-10-00**

Page 3B

04.02.21



**ENGINE MOUNT**



Detail-**A**

**NOTE:** 9 - right mounts only  
6 - lower mounts only  
10 - lower mounts only

**EFFECTIVITY**

Aircraft equipped  
with Rotax 912S

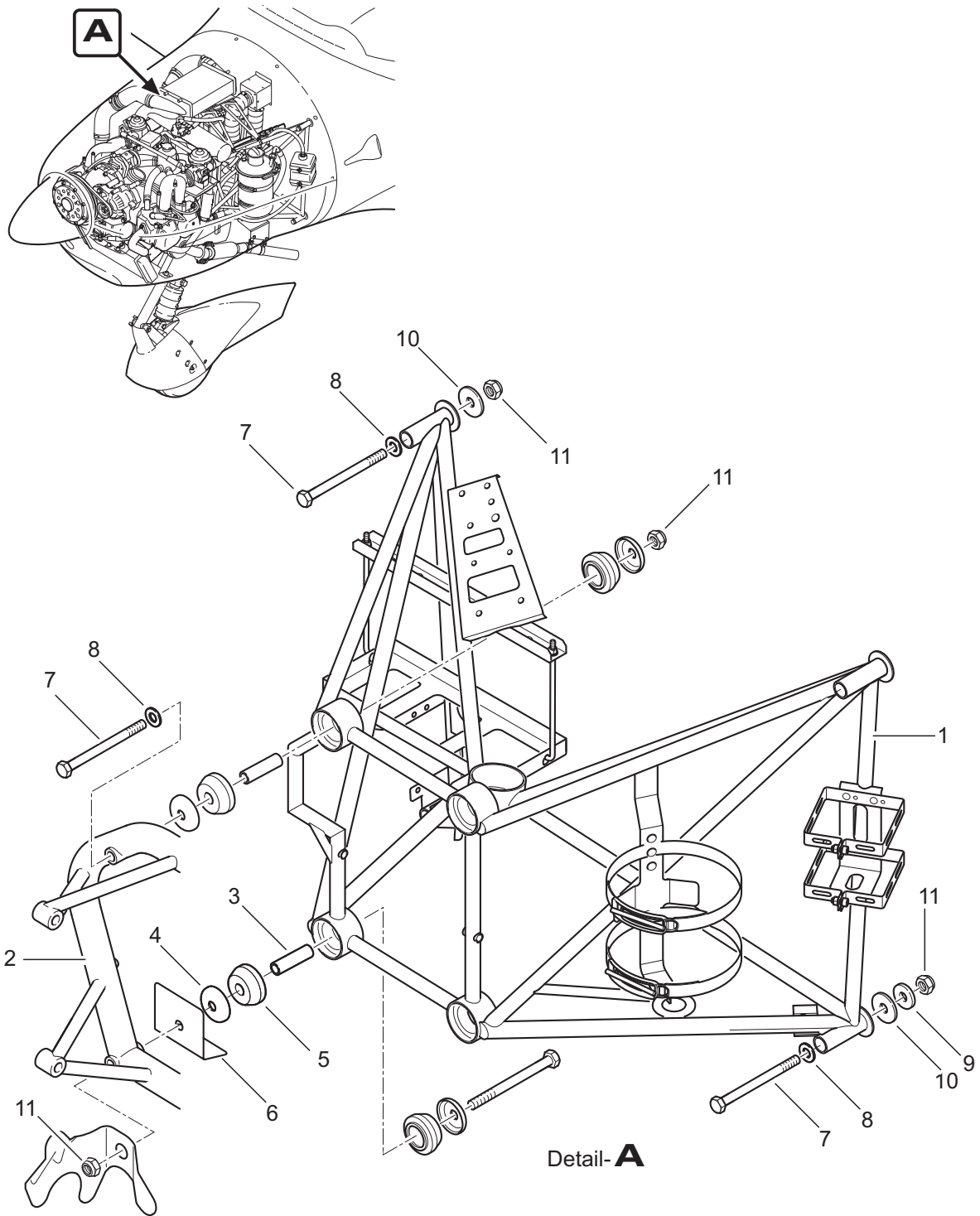
Engine Mount Components  
Figure 1A

**71-20-00**

Fig. Item	QTY	Part Number	Nomenclature	Effectivity
1A			Engine Mount Components	Rotax 912S
1	1	AT01-7010-007	engine mount (new version)	
		AT01-7010-001	engine mount (old version / replaced by AT01-7010-007)	
2	1	AT01-7080-457	engine mount Rotax	
3	4	AT01-7010-102	spacer tube	
4	8	AT01-7010-109	cover plate	
5	8	AT01-7010-111	shock mount	
6	2	AT01-7010-115	heat protection shield	
7	8	1800931_M10x110	bolt (ISO 4014 M10x110 8.8)	
8	8	1800125_10,5	washer (ISO 7089 10,5x20)	
9	2	1800125_10,5	washer (ISO 7089 10,5x20)	(1)
10	2	1806340_10,5	washer (DIN 6340 10,5x28)	(2)
11	4	1800440_11	washer (ISO 7094 11x34)	
12	8	1806925 8VZ M10	locknut (ISO 7042 M10)	

Notes:

- (1) Washers are installed with the old engine mount (AT01-7010-001) only.
- (2) Refer to SB-AT01-022.



**NOTE:** 6 - lower mounts only  
9 - lower mounts only

**EFFECTIVITY**

Aircraft equipped  
with Rotax 914F

Engine Mount Components  
Figure 1B

**71-20-00**

Fig. Item	QTY	Part Number	Nomenclature	Effectivity
1B			Engine Mount Components	Rotax 914F
	1	AT01-7010-021	engine mount	
	2	AT01-7080-457	engine mount Rotax	
	3	AT01-7010-102	spacer tube	
	4	AT01-7010-109	cover plate	
	5	AT01-7010-111	shock mount	
	6	AT01-7010-115	heat protection shield	
	7	1800931_M10x110	bolt (ISO 4014 M10x110 8.8)	
	8	1800125_10,5	washer (ISO 7089 10,5x20)	
	9	1806340_10,5	washer (DIN 6340 10,5x28)	
	10	1800440_11	washer (ISO 7094 11x34)	
	11	1806925 8VZ M10	locknut (ISO 7042 M10)	

- Item not illustrated

Engine Mount Components  
Figure 1B

**71-20-00**

Page 3B

04.02.21



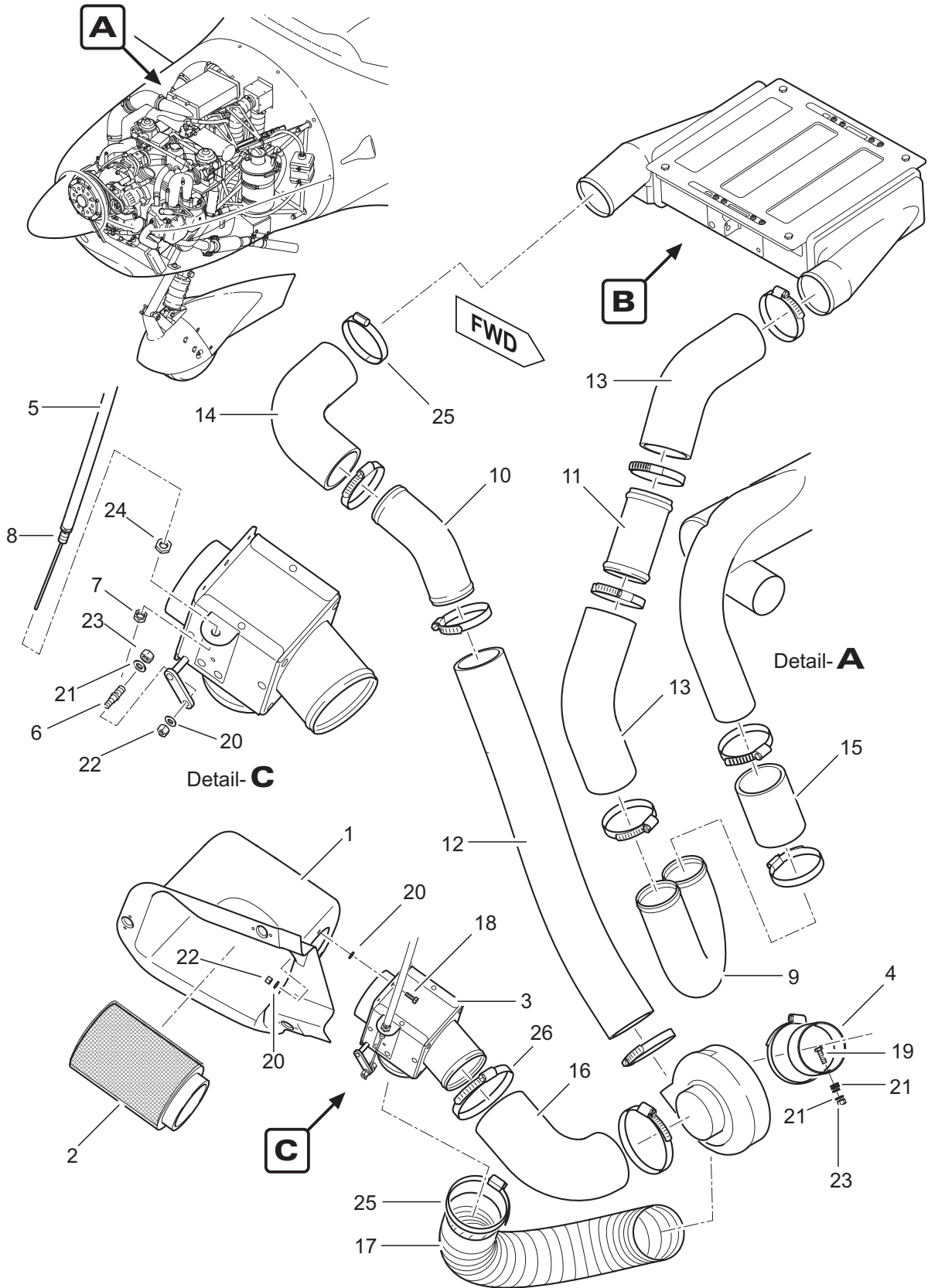




**AQUILA AT01-100/200**  
**ILLUSTRATED PARTS CATALOG**

---

**AIR INDUCTION SYSTEM**



**EFFECTIVITY**  
Aircraft equipped  
with Rotax 914F

Engine Air Intake / Intercooler Installation  
Figure 1 (1)

**71-60-00**

Fig. Item	QTY	Part Number	Nomenclature	Effectivity
1 (1)			Engine Air Intake / Intercooler Installation	Rotax 914F
1	1	AT01-7040-005	air filter box	
2	1	AT01-7040-101	air filter	
3	1	AT01-7040-006	air valve	
4	1	AT01-7040-106	tube	
5	1	AT01-7020-020	dual control cable	
6	1	AT01-2600-107	cable clamping screw	
7	1	AT01-7020-132	nut	
8	1	AT01-4510-135	adjusting screw	
9	1	AT01-4520-617	tube bend 180°	
10	1	AT01-4520-619	tube bend 45°	
11	1	AT01-4520-614	hose connector	
12	AR	AT01-4520-621	silicone hose (approx. 500mm)	
13	2	AT01-4520-615	silicone hose elbow 45°	
14	1	AT01-4520-616	silicone hose elbow 90°	
15	1	AT01-4520-624	silicone hose straight	
16	1	AT01-4520-623	silicone hose elbow 90°	
17	AR	AT01-4520-600	air hose (red / Ø 63mm / approx. 550mm / Ø 5mm drainage hole at lowest point)	
18	3	1800933_M4x12	bolt (ISO 4017 M4x12 8.8)	
19	1	1800933_M5x16	bolt (ISO 4017 M5x16 8.8)	
20	7	1800125_4,3	washer (ISO 7089 4,3x9)	
21	5	1800125_5,3	washer (ISO 7089 5,3x10)	
22	4	1800985_M4	locknut (ISO 10511 M4)	
23	2	1800985_M5	locknut (ISO 10511 M5)	
24	1	1800439_M6	nut (ISO 4035 M6)	
25	12	AT01-4520_TO50-70/9C7W2	clamp	
26	2	AT01-4520_TO60-80/9C7W2	clamp	
-27	AR	AT01-4520-100	drain hose (10x1 / black / approx. 1m)	
-28	1	AT01-4520_COBRA_10,0/7W4	Cobra hose clamp	

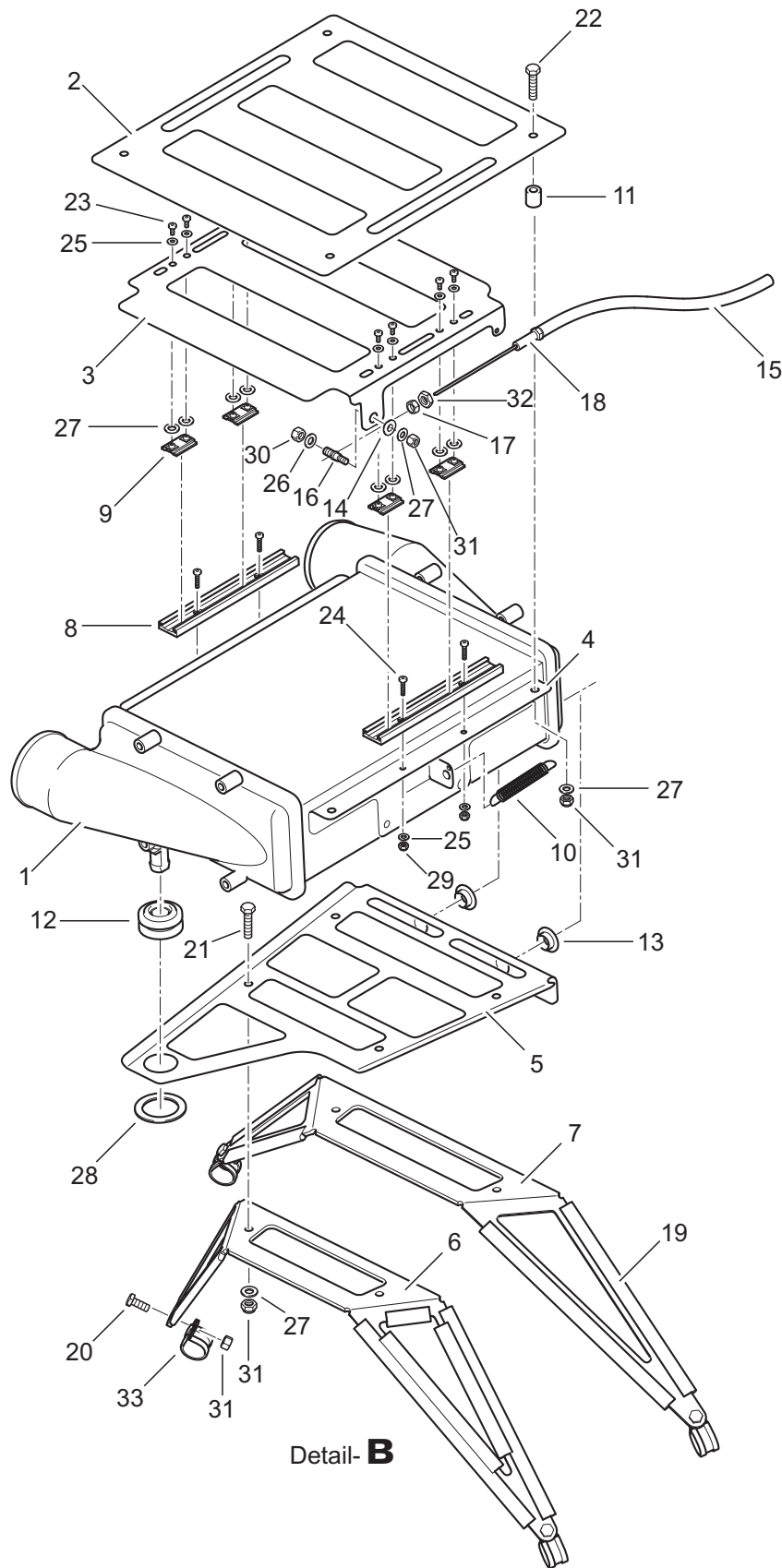
- Item not illustrated

Engine Air Intake / Intercooler Installation  
Figure 1 (1)

**71-60-00**

Page 3

04.02.21



Detail- **B**

Engine Air Intake / Intercooler Installation  
 Figure 1 (2)

**EFFECTIVITY**

Aircraft equipped  
 with Rotax 914F

Fig. Item	QTY	Part Number	Nomenclature	Effectivity
1 (2)			Engine Air Intake / Intercooler Installation	Rotax 914F
1	1	AT01-7050-310	intercooler	
2	1	AT01-7050-192	upper cover plate	
3	1	AT01-7050-185	lower cover plate	
4	2	AT01-7050-198	mounting bracket	
5	1	AT01-7050-180	intercooler mounting bracket	
6	1	AT01-7050-181	front support	
7	1	AT01-7050-182	rear support	
8	2	AT01-7050-187	guide rail	
9	2	AT01-7050-188	guide carriage (floating bearing lateral direction)	RH side
	2	AT01-7050-196	guide carriage	LH side
10	1	AT01-7050-190	tension spring	
11	4	AT01-7050-195	spacer sleeve	
12	1	AT01-7050-308	intercooler grommet	
13	2	AT01-1850-153	bearing bush	
14	1	AT01-1850-156	bearing bush	
15	1	AT01-7020-020	dual control cable	
16	1	AT01-2600-107	cable clamping screw	
17	1	AT01-7020-132	nut	
18	1	AT01-4510-135	adjusting screw	
19	AR	AT01-9910-302	edge protection	
20	4	1800933_M5x12	bolt (ISO 4017 M5x12 8.8)	
21	4	1800933_M5x14	bolt (ISO 4017 M5x14 8.8)	
22	4	1800933_M5x20	bolt (ISO 4017 M5x20 8.8)	
23	8	1807984_M3x5	bolt (ISO 14580 M3x5 8.8)	
24	4	1807984_M3x12	bolt (ISO 14580 M3x12 8.8)	
25	12	1800125_3,2	washer (ISO 7089 3,2x7)	
26	1	1800125_4,3	washer (ISO 7089 4,3x9)	
27	17	1800125_5,3	washer (ISO 7089 5,3x10)	
28	1	1800988_25/1,5	adjusting washer (DIN 988 25x35x1,5)	
29	4	1800985_M3	locknut (ISO 10511 M3)	
30	1	1800985_M4	locknut (ISO 10511 M4)	
31	13	1800985_M5	locknut (ISO 10511 M5)	
32	1	1800439_M6	nut (ISO 4035 M6)	
33	4	AT01-4520_RSGU1.16/12W1	pipe clamp	

- Item not illustrated

Engine Air Intake / Intercooler Installation  
Figure 1 (2)

**71-60-00**

Page 5

04.02.21

