

Illustrated Parts Catalog

Aquila A210

Doc.-No. PC-AT01- 1030-100

AQUILA Aviation International GmbH • Flugplatz • D-14959 Schönhagen
www.aquila-aviation.de • kontakt@aquila-aviation.de

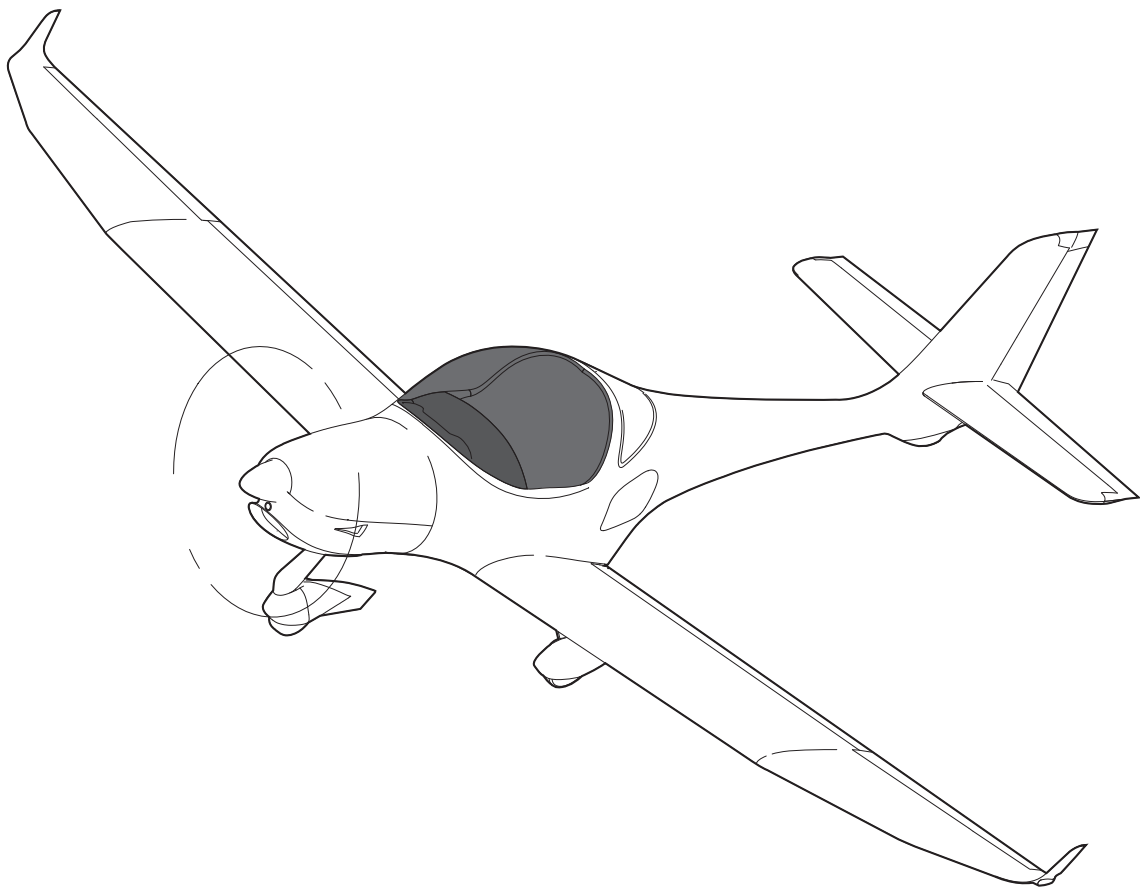
This document is copyright protected. All associated rights, in particular those of translation, reprinting, reproduction by photo mechanical or similar means and storing in data processing facilities in whole or part are reserved.

AQUILA is a registered trademark.

ILLUSTRATED PARTS CATALOG

AQUILA AT01 (A210)

Doc.-No. PC-AT01-1030-100



This document is protected by copyright. All associated rights, in particular those of translation, reprinting, reproduction by photo mechanical or similar means and storing in data processing facilities in whole or part are reserved. The technical content of this document is approved under the authority of the DOA ref. EASA.21J.025.

AQUILA Aviation International GmbH
Flugplatz
14959 Schönhagen

Phone: ++49 33 731 707 - 0
Fax: ++49 33 731 707 - 11
e-mail: kontakt@aquila-aviation.de

TABLE OF CONTENTS

<u>Cha/Sec/Sub</u>	<u>Title</u>
	TABLE OF CONTENTS
	INTRODUCTION
	RECORD OF REVISIONS
	RECORD OF TEMPORARY REVISIONS
	LIST OF EFFECTIVE CHAPTERS
11	PLACARDS AND MARKINGS
11-00-00	Placards and Markings - General
11-20-00	Exterior Placards & Markings
11-30-00	Interior Placards & Markings
21	VENTILATION & HEATING
21-00-00	Ventilation & Heating - General
24	ELECTRICAL POWER
24-00-00	Electrical Power - General
24-30-00	DC Generation
24-50-00	Electrical Load Distribution
25	EQUIPMENT & FURNISHINGS
25-00-00	Equipment & Furnishings - General
25-10-00	Seats
27	FLIGHT CONTROLS
27-10-00	Aileron and Tab
27-20-00	Rudder and Tab
27-30-00	Elevator and Tab
27-31-00	Elevator Trim System
27-50-00	Flaps
28	FUEL
28-00-00	Fuel - General
31	INDICATING/RECORDING SYSTEMS
31-00 00	Indicating/Recording Systems - General
32	LANDING GEAR
32-10-00	Main Gear
32-20-00	Nose Gear
32-40-00	Wheels & Brakes
33	LIGHTS
33-00-00	Lights - General
33-10-00	Interior Lights
33-40-00	Exterior Lights
55	STABILIZERS
55-00-00	Stabilizers - General
55-20-00	Elevator
55-40-00	Rudder

TABLE OF CONTENTS

<u>Cha/Sec/Sub</u>	<u>Title</u>
56	WINDOWS
56-10-00	Canopy
57	WINGS
57-00-00	Wings - General
57-50-00	Flight Surfaces
71	POWERPLANT
71-00-00	Powerplant - General
71-10-00	Cowling
71-20-00	Engine Mounts
71-50-00	Electrical Harness
75	ENGINE COOLING
75-00-00	Engine Cooling - General
76	ENGINE CONTROLS
76-00-00	Engine Controls - General
77	ENGINE INDICATING
77-00-00	Engine Indicating - General
78	EXHAUST
78-00-00	Exhaust - General
79	OIL
79-00-00	Oil - General
96	ACCESSORY
96-00-00	Accessory - General
96-10-00	Special Tools

INTRODUCTION

1. General

- A. This Illustrated Parts Catalog (IPC) is intended for use in the identification and requisition of replaceable aircraft parts and units of the AQUILA AT01.

WARNING: DO NOT USE THIS ILLUSTRATED PARTS CATALOG TO DETERMINE REMOVAL AND INSTALLATION PROCEDURES.

For maintenance purposes such as removal and installation procedures of parts and assemblies or repair instructions, refer to the AQUILA AT01 Maintenance Manual.

2. Structure of the Illustrated Parts Catalog

The IPC structure basically conforms to requirements of Air Transport Association (ATA) Specification Number 100 for Manufacturers Technical Data. The document is divided into chapters which correspond to equivalent chapters in the AQUILA AT01 Maintenance Manual.

- A. The IPC is divided into two main sections:

(1) General	Table of Contents Record of Revisions Record of Temporary Revisions Introduction List of Effective Chapters
(2) Illustrated parts breakdown	Chapters 11 up to 96

- B. Each chapter has one or more sections (subsystems). Spare parts of each section are presented in one or more figures. The figures within these sections are numbered consecutively.
- C. Each chapter starts with an overview on contained figures in that chapter.
- D. Left-hand pages contain exploded views to illustrate mechanical devices, assemblies and parts.
- E. Right-hand pages contain a detailed parts list that is divided into 5 vertical columns:
- (1) Figure / Item
Contains the number of the applicable illustration (figure number) as well as the reference numbers of the parts listed. When a reference number is preceded by a dash (-), the respective part, subassembly or assembly is not illustrated.
 - (2) "QTY"
Contains the quantity of each listed part required for the next higher assembly.
 - (3) Part Number
This column contains the manufacturer's part number used to identify the item.
 - (4) Nomenclature
Contains the description (nomenclature) of the part, subassembly, assembly or system.

(5) Effectivity

Aircraft effectivity is indicated in the detailed parts list by applicable serial numbers which are only entered if a given part pertains to a particular aircraft only.

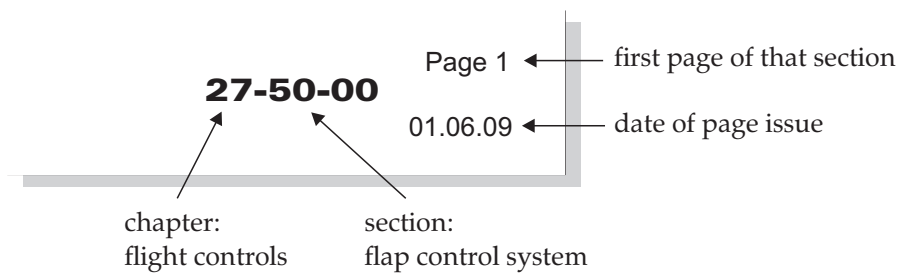
Example:

101 - 113	effective up to serial number 113
123 - 999	effective from serial number 123 and on
113 - 122	effective for aircraft with serial number 113 thru 122

3. Page Identification and Numbering System

- A. The page numbering system consists of three-element numbers separated by dashes with the page number and date printed to the side.

A page number for example:



- (1) When the chapter/system element number is followed with zeros in the section/subsystem and subject/unit element number (28-00-00), the information is applicable to the entire system.
- (2) When the section/subsystem element number is followed with zeros in the subject/unit element number (28-20-00), the information is applicable to subsystem within the system.
- (3) The subject/unit element number is used to identify information applicable to units within the subsystems.

4. Using the Illustrated Parts Catalog

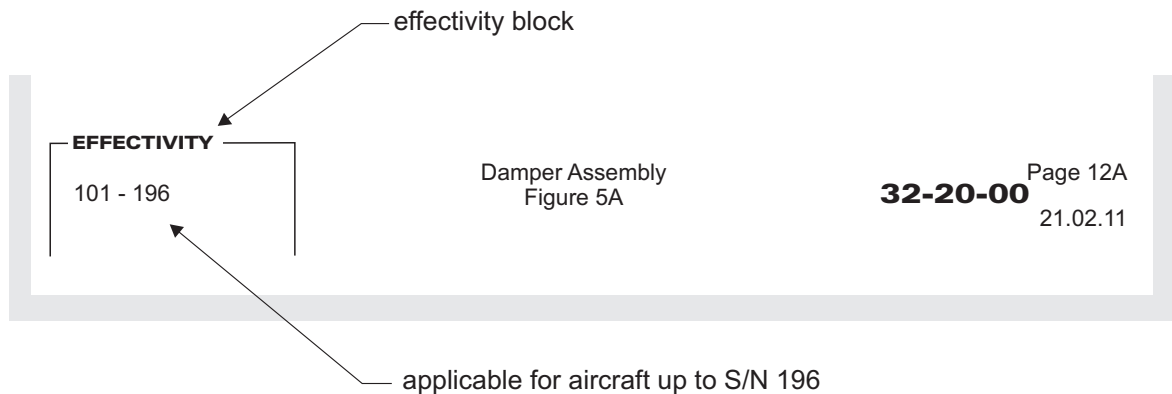
- A. To obtain information on an individual spare part or assembly proceed as follows:
- (1) Refer to the Table of Contents in the front of IPC to find the applicable chapter.
 - (2) Refer to the Table of Contents of that chapter to find section and figure number in which the part should be shown.
 - (3) Refer to the illustration and find the part.
 - (4) Refer to the corresponding item number in the detailed parts list and read the part number.

B. Effectivity

This IPC is “customized”. It includes the following effectivity identification system to show modification and/or configuration differences.

- (1) The IPC starts with a List of Effective Chapters. Each chapter is listed with date of issue or revision.
- (2) To identify the aircraft an effectivity statement (i.e. Garmin Avionics) or a six-digit numeric indicator is shown in the effectivity column in the table of contents if applicable.
 - (a) The six-digit numeric indicator begins with the last three digits of the lowest assigned number, to indicate first effectivity, and ends with the last three digits of the highest assigned number, to indicate last effectivity, of an unbroken sequence of assigned numbers. A hyphen is shown between the numbers. Open ended effectivity is indicated by “999” in the last effectivity if applicable. For example: 123-999 indicates aircraft 123 and subsequent.
- (3) Effectivity Block
The system provides further direct annotation of applicability of figures. Figures not applicable for all aircraft have an effectivity block at the bottom left-hand corner of the left-hand page. Effectivity identification may be a six-digit numeric indicator (ref. to (2)(a)) or an effectivity statement. The information of that figure applies only to the aircraft noted in the effectivity block.

NOTE: Figures with an effectivity block have an sequential alpha-suffix, for example, a modified version of figure 1 would be figure 1A, a further variant of the same figure would be figure 1B, and so on.



C. Revisions

- (1) Revisions of the IPC, caused by variety of reasons (regulation changes, technical changes, typographical errors, etc.), will be published regularly.
- (2) Identifying revised material
Revisions and/or additions will be identified by a vertical black line (revision bar) in the outer margin of the page opposite the text/illustration that has been changed.
- (3) Should a revision be urgently required between regular updating, a temporary revision will be issued. The relevant pages are yellow and will usually be incorporated in the next scheduled revision of the IPC.
- (4) Incorporating revisions into the manual
 - (a) In order to keep track of revisions and to facilitate the use of the catalog, a revision always affects the entire chapter, i.e. all pages of a chapter have the same date of issue or revision and the complete chapter is replaced during a revision.
 - (b) IPC revisions contain an effectivity page. Chapters to be removed or inserted are listed in sequence and assigned with the respective action.
Incorporation of revisions into the catalog must be documented in the record of revisions at the front of the IPC.
 - (c) Temporary revisions are issued as single pages and must be incorporated according to the notes on the effectivity page delivered with the revision. They become invalid and must be removed when the corresponding permanent revision is issued.

LIST OF EFFECTIVE CHAPTERS

Chapter Title	Date*
GENERAL	
00 Introduction	15.02.13
11 Placards and Markings	15.02.13
AIRFRAME SYSTEMS	
21 Ventilation and Heating	15.02.13
24 Electrical Power	30.06.10
25 Equipment and Furnishings	15.02.13
27 Flight Controls	15.02.13
28 Fuel	29.04.16
31 Indicating/Recording Systems	29.04.16
32 Landing Gear	25.11.22
33 Lights	15.02.13
STRUCTURES	
55 Stabilizers	15.02.13
56 Windows	15.02.13
57 Wings	15.02.13
POWER PLANT	
71 Power Plant	29.04.16
75 Engine Cooling	29.04.16
76 Engine Controls	29.04.16
77 Engine Indicating	29.04.16
78 Exhaust	01.06.09
79 Oil	29.04.16
MISCELLANEOUS	
96 Accessory	15.02.13

* The date refers to the issue / revision date of the respective chapter.

The technical content of this document (revision 07) is approved under the authority of
DOA ref. EASA.21J.025.

25.11.22  
Date, Signature Office of Airworthiness



Aviation by Excellence GmbH

AQUILA AT01
ILLUSTRATED PARTS CATALOG

CHAPTER 11
PLACARDS & MARKINGS

**TABLE OF CONTENTS**

<u>Title</u> <u>Subject</u>	<u>Chapter</u> <u>Section</u> <u>Subject</u>	<u>Figure</u>	<u>Page</u>	<u>Effectivity</u>
PLACARDS & MARKINGS GENERAL	11-00-00		1	
Placards & Markings - General	11-00-00	1	2	
EXTERIOR PLACARDS & MARKINGS	11-20-00		1	
Exterior Placards & Markings - German	11-20-00	1	2	
Exterior Placards & Markings - English	11-20-00	2	6	
Exterior Placards & Markings - French	11-20-00	3	0	
INTERIOR PLACARDS & MARKINGS	11-30-00		1	
Interior Placards & Markings - German	11-30-00	1	2	
Interior Placards & Markings - English	11-30-00	2	8	
Interior Placards & Markings - French	11-30-00	3	14	



Aviation by Excellence GmbH

AQUILA AT01
ILLUSTRATED PARTS CATALOG

PLACARDS & MARKINGS
GENERAL

Item not illustrated



Fig. Item	QTY	Part Number	Nomenclature	Effectivity
1			Placards & Markings - General	
-1			Exterior Placards & Markings - German, (Refer to 11-20-00, Figure 1 for Details)	
-2			Exterior Placards & Markings - English, (Refer to 11-20-00, Figure 2 for Details)	
-3			Exterior Placards & Markings - French, (Refer to 11-20-00, Figure 3 for Details)	
-4			Interior Placards & Markings - German, (Refer to 11-30-00, Figure 1 for Details)	
-5			Interior Placards & Markings - English, (Refer to 11-30-00, Figure 2 for Details)	
-6			Interior Placards & Markings - French, (Refer to 11-30-00, Figure 3 for Details)	

- Item not illustrated

Placards & Markings - General
Figure 1

11-00-00

Page 3

15.02.13

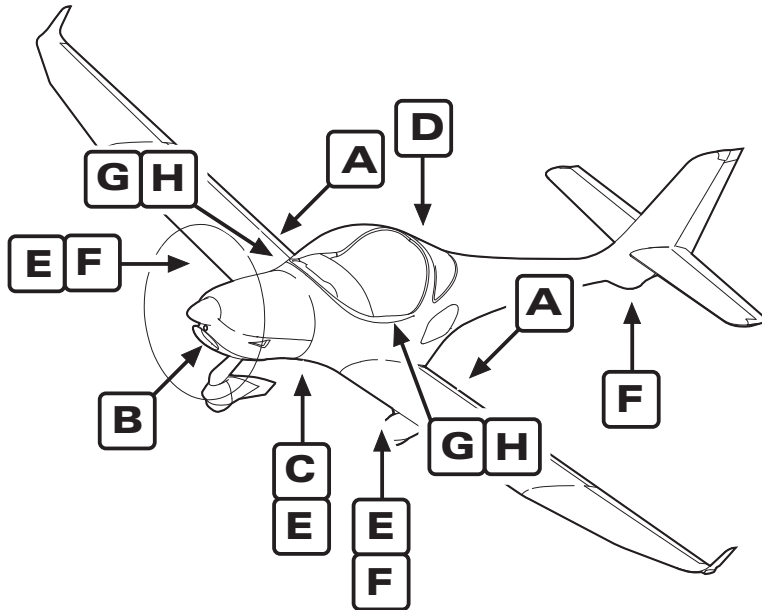


Aviation by Excellence GmbH

AQUILA AT01
ILLUSTRATED PARTS CATALOG

EXTERIOR
PLACARDS & MARKINGS

Note: Placards illustrated not in scale.



Detail- **A** **NICHT BETRETEN** — 1

Detail- **B** KÜHLERABDECKUNG OBERHALB 15°C (59°F) ENTFERNEN
KÜHLERABDECKUNG UNTERHALB 5°C (41°F) INSTALLIEREN — 2

Detail- **C** **Erdungspunkt**
Auspuffendrohr — 3

Detail- **D** **ELT**
INSTALLED HERE — 4

Detail- **G** **Haube**
Geöffnet — 7

Detail- **E** **KRAFTSTOFF-**
ABLASS — 5

Detail- **H** **Haube**
Verriegelt — 8

Detail- **F** **VERZURRPUNKT** — 6



Aviation by Excellence GmbH

AQUILA AT01

ILLUSTRATED PARTS CATALOG

Fig. Item	QTY	Part Number	Nomenclature	Effectivity
1	2	AT01-2820-110	Nicht Betreten	
2	1	AT01-2820-110	Kühlerabdeckung	
3	1	AT01-2820-110	Erdungspunkt	
4	1	AT01-2820-110	ELT installed here	
5	3	AT01-2820-110	Kraftstoffablass	
6	4	AT01-2820-110	Verzurrpunkt	
7	1	AT01-2820-160	Haube Geöffnet	101 - 250 R
7	1	AT01-2820-187	Haube Geöffnet	251 - 999 R
8	1	AT01-2820-160	Haube Verriegelt	101 - 250 R
8	1	AT01-2820-187	Haube Verriegelt	251 - 999 R

- Item not illustrated

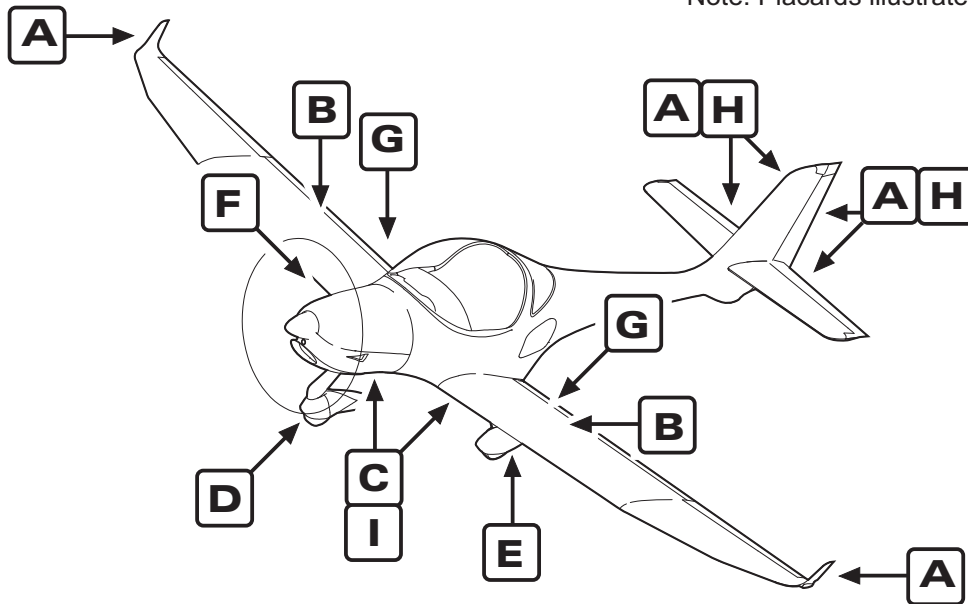
Exterior Placards & Markings - German
Figure 1 (Sheet 1)

11-20-00

Page 3

15.02.13

Note: Placards illustrated not in scale.



Detail-A **NICHT SCHIEBEN** 1

Detail-B EN 228 SUPER
EN 228 SUPER plus
AVGAS 100 LL 3

Detail-C Aufbockpunkt 4

Detail-D 2,0 bar 5

Detail-E 2,5 bar 6

Detail-F Externe
Stromversorgung
12 V DC 7

Detail-G 2

Detail-H 8

Detail-I 9



Aviation by Excellence GmbH

AQUILA AT01

ILLUSTRATED PARTS CATALOG

Fig. Item	QTY	Part Number	Nomenclature	Effectivity
1(2)	RF		Exterior Placards & Markings - German (Refer to 11-00-00, Fig. 1, Item 1 for NHA)	
1	6	AT01-2820-110	Nicht Schieben	
2	2	AT01-2820-110	Roter Kreis mit Schrägstrich groß	
3	2	AT01-2820-110	EN 228 Super...	
4	2	AT01-2820-110	Aufbockpunkt	
5	2	AT01-2820-110	2,0 bar	
6	2	AT01-2820-110	2,5 bar	
7	1	AT01-2820-110	Externe Stromversorgung	
8	4	AT01-2820-110	Roter Kreis mit Schrägstrich klein	
9	2	AT01-2820-110	Roter Kreis	

- Item not illustrated

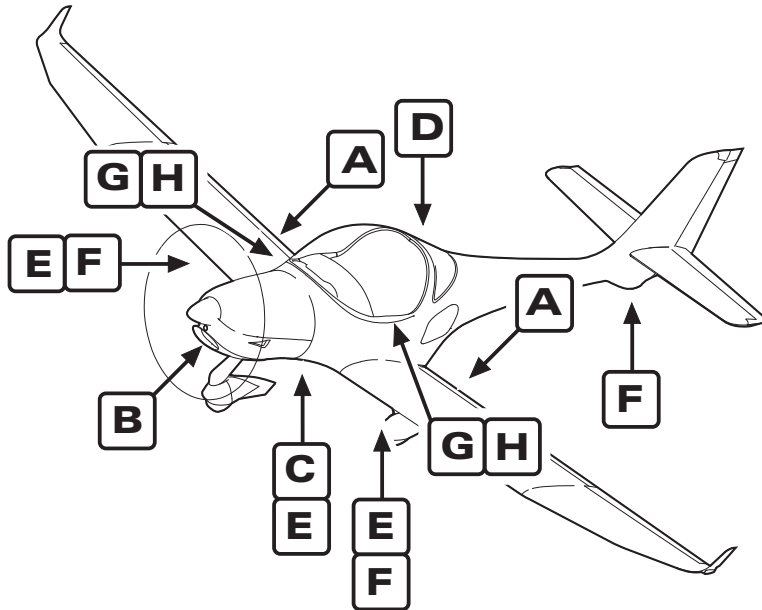
Exterior Placards & Markings - German
Figure 1 (Sheet 2)

11-20-00

Page 5

15.02.13

Note: Placards illustrated not in scale.



Detail- **A**

NO STEP or PUSH

Detail- **B**

WINTER KIT MUST BE REMOVED ABOVE 15°C (59°F)
(WINTER KIT SHOULD BE INSTALLED BELOW 5°C (41°F))

Detail- **C**

⊥ Electric Ground
Exhaust Port

Detail- **D**

ELT
INSTALLED HERE

Detail- **G**

CANOPY
OPEN

Detail- **E**

FUEL DRAIN

Detail- **H**

CANOPY
CLOSED

Detail- **F**

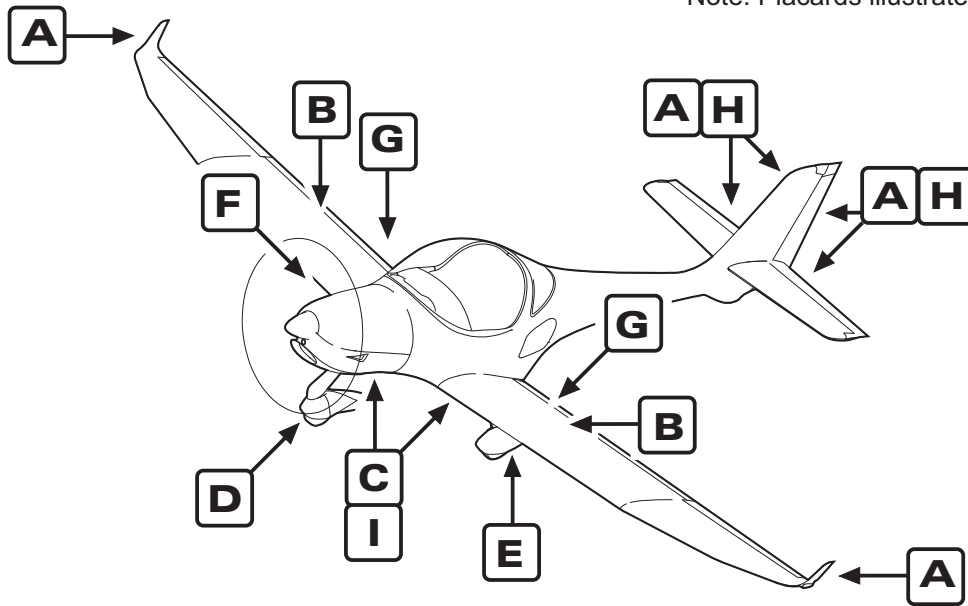
TIE DOWN



Fig. Item	QTY	Part Number	Nomenclature	Effectivity	
2(1)	RF		Exterior Placards & Markings - English (Refer to 11-00-00, Fig. 1, Item 2 for NHA)		
1	2	AT01-2820-120	No Step Or Push		
2	1	AT01-2820-120	Winter kit must be removed...		
3	1	AT01-2820-120	Electric ground...		
4	1	AT01-2820-120	ELT installed here		
5	3	AT01-2820-120	Fuel drain		
6	4	AT01-2820-120	Tie down		
7	1	AT01-2820-161	Canopy open	101 - 250	R
7	1	AT01-2820-199	Canopy open	251 - 999	R
8	1	AT01-2820-161	Canopy closed	101 - 250	R
8	1	AT01-2820-199	Canopy closed	251 - 999	R

- Item not illustrated

Note: Placards illustrated not in scale.



Detail-**A** **NO PUSH** 1

EN 228 SUPER
EN 228 SUPER plus
AVGAS 100 LL
USABLE 54,8 liter

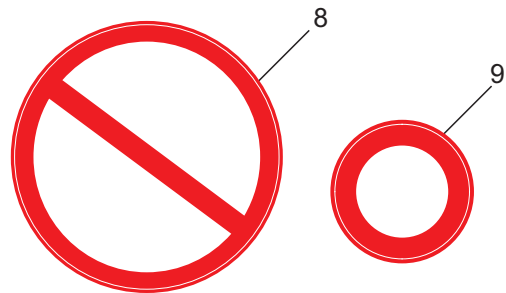
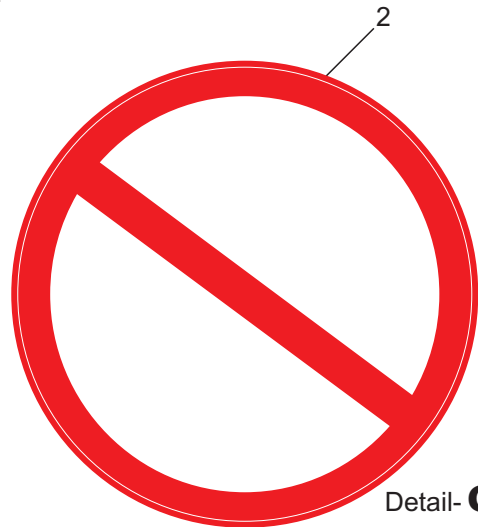
Detail-**B**

Detail-**C** Jacking Point 4

Detail-**D** 2,0 bar 5

Detail-**E** 2,5 bar 6

Detail-**F** **GROUND POWER 12 VDC** 7



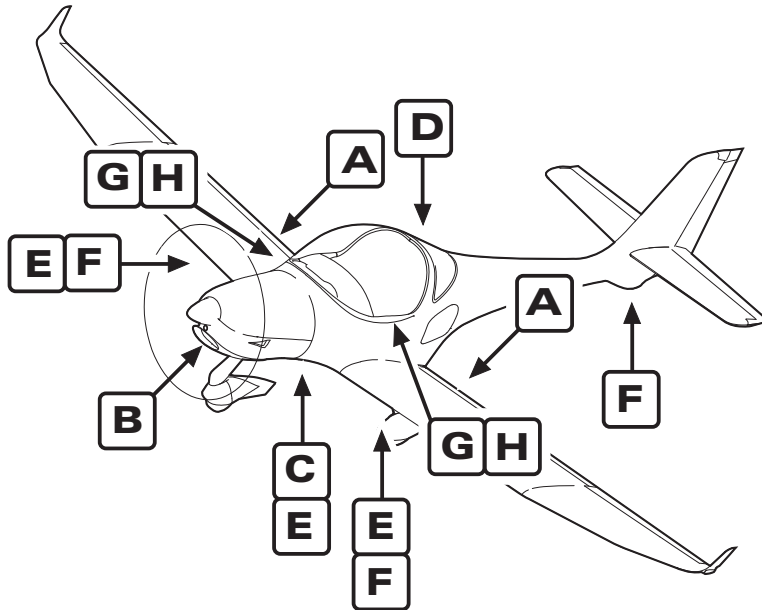
Exterior Placards & Markings - English
Figure 2 (Sheet 2)



Fig. Item	QTY	Part Number	Nomenclature	Effectivity
2(2)	RF		Exterior Placards & Markings - English (Refer to 11-00-00, Fig. 1, Item 2 for NHA)	
1	6	AT01-2820-120	No push	
2	2	AT01-2820-120	Red circle with slash big	
3	2	AT01-2820-120	EN 228 Super...	
4	2	AT01-2820-120	Jack point	
5	2	AT01-2820-120	2,0 bar	
6	2	AT01-2820-120	2,5 bar	
7	1	AT01-2820-120	Ground power 12V DC	
8	4	AT01-2820-120	Red circle with slash smal	
9	2	AT01-2820-120	Red circle	

- Item not illustrated

Note: Placards illustrated not in scale.



Detail- **A**

NE PAS MARCHER OU POUSSER

Detail- **B**

LE KIT HIVER DOIT ETRE DEMONTE POUR UNE TEMPE SUPERIEURE A 15°C (59°F)
LE KIT HIVER DOIT ETRE INSTALLE POUR UNE TEMPE INFERIEURE A 5°C (41°F)

Detail- **C**

1 Pot d'Echappement

Detail- **D**

ELT
MONTAGE ICI

Detail- **G**

OUVERTURE
VERRIERE

Detail- **E**

PURGE

Detail- **H**

FERMETURE
VERRIERE

Detail- **F**

ANCRE



Aviation by Excellence GmbH

AQUILA AT01

ILLUSTRATED PARTS CATALOG

Fig. Item	QTY	Part Number	Nomenclature	Effectivity
3(1)	RF		Exterior Placards & Markings - French (Refer to 11-00-00, Fig. 1, Item 3 for NHA)	
1	2	AT01-2820-121	Ne pas marcher ou pousser	
2	1	AT01-2820-121	Le kit hiver doit etre demonte pour une tempe...	
3	1	AT01-2820-121	Pot de echappement	
4	1	AT01-2820-121	ELT montage ici	
5	3	AT01-2820-121	Purge	
6	4	AT01-2820-121	Ancre	
7	1	AT01-2820-162	Ouverture verriere	R
8	1	AT01-2820-162	Fermeture verriere	R

- Item not illustrated

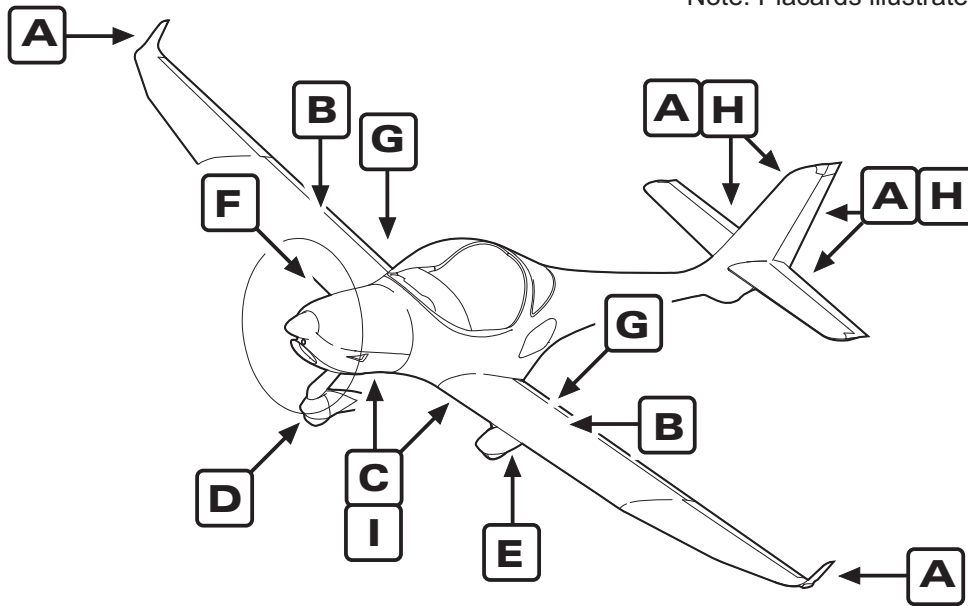
Exterior Placards & Markings - French
Figure 3 (Sheet 1)

11-20-00

Page 11

15.02.13

Note: Placards illustrated not in scale.



Detail-**A** **NE PAS POUSSER** 1

Detail-**B** EN 228 SUPER
EN 228 SUPER plus
AVGAS 100 LL 3

Detail-**C** Point de levage 4

Detail-**D** **2,0 bar** 5

Detail-**E** **2,5 bar** 6

Detail-**F** **Alimentation
Externe
12V DC** 7

Detail-**G** 2

Detail-**H** 8

Detail-**I** 9



Aviation by Excellence GmbH

AQUILA AT01

ILLUSTRATED PARTS CATALOG

Fig. Item	QTY	Part Number	Nomenclature	Effectivity
3(2)	RF		Exterior Placards & Markings - French (Refer to 11-00-00, Fig. 1, Item 3 for NHA)	
1	6	AT01-2820-121	Ne pas pousser	
2	2	AT01-2820-121	Red circle with slash big	
3	2	AT01-2820-121	EN 228 Super...	
4	2	AT01-2820-121	Point de levage	
5	2	AT01-2820-121	2,0 bar	
6	2	AT01-2820-121	2,5 bar	
7	1	AT01-2820-121	Alimentation externe 12V DC	
8	4	AT01-2820-121	Red circle with slash smal	
9	2	AT01-2820-121	Red circle	

- Item not illustrated

Exterior Placards & Markings - French
Figure 3 (Sheet 2)

11-20-00

Page 13

15.02.13

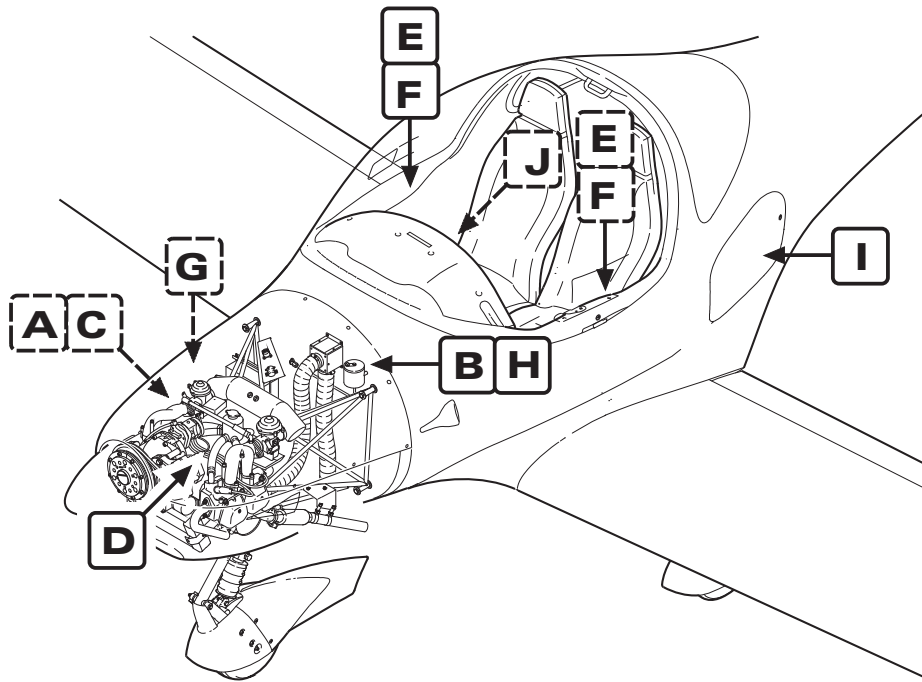


Aviation by Excellence GmbH

AQUILA AT01
ILLUSTRATED PARTS CATALOG

INTERIOR
PLACARDS & MARKINGS

Note: Placards illustrated not in scale.



<p>Detail-A</p>	<p>! ACHTUNG ! <u>Kein</u> Flugmotorenöl einfüllen. Siehe Flughandbuch</p>	<p>1</p>	<p>Detail-E</p>	<p>Haube Geöffnet</p>	<p>5</p>
<p>Detail-B</p>	<p>! ACHTUNG ! <u>Keine</u> Automobilbremsflüssigkeit verwenden. Siehe Flughandbuch</p>	<p>2</p>	<p>Detail-F</p>	<p>Haube Verriegelt</p>	<p>6</p>
<p>Detail-C</p>	<p>ÖLFÜLLUNG 3,0 Liter SIEHE FLUGHANDBUCH</p>	<p>3</p>	<p>Detail-G</p>	<p>Kühlmittel</p>	<p>7</p>
<p>Detail-D</p>	<p>KÜHLMITTEL- AUSGLEICHSGEFÄSS NICHT ÖFFNEN</p>	<p>4</p>	<p>Detail-H</p>	<p>HYDRAULIKÖL FLUID 4</p>	<p>8</p>
<p>Detail-I</p>	<p>GEPÄCK max. 40 kg NUR MIT VERZURRUNG</p>	<p>9</p>			



Aviation by Excellence GmbH

AQUILA AT01

ILLUSTRATED PARTS CATALOG

Fig. Item	QTY	Part Number	Nomenclature	Effectivity
1(1)	RF		Interior Placards & Markings - German (Refer to 11-00-00, Fig. 1, Item 4 for NHA)	
1	1	AT01-2820-110	Motorenöl	
2	1	AT01-2820-110	Bremsflüssigkeit	
3	1	AT01-2820-110	Ölfüllung	
4	1	AT01-2820-110	Kühlmittelausgleichsgefäß	
5	1	AT01-2820-160	Haube öffnen	101 - 250 R
5	1	AT01-2820-187	Haube öffnen	251 - 999 R
6	1	AT01-2820-160	Haube verriegeln	101 - 250 R
6	1	AT01-2820-187	Haube verriegeln	251 - 999 R
7	1	AT01-2820-110	Kühlmittel	R
8	1	AT01-2820-110	Hydrauliköl	R
9	1	AT01-2820-160	Gepäck	101 - 250 R
9	1	AT01-2820-187	Gepäck	251 - 999 R

- Item not illustrated

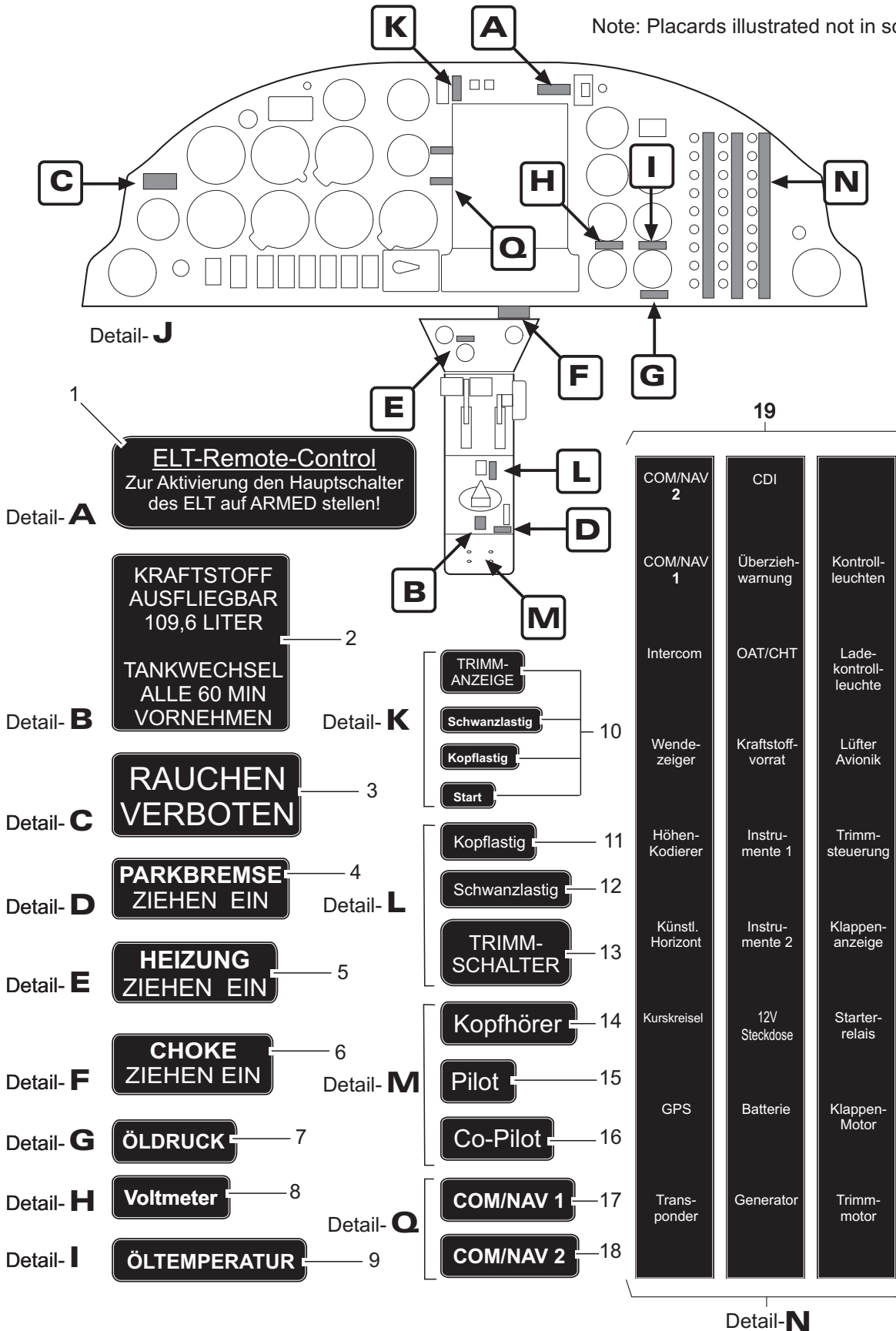
Interior Placards & Markings - German
Figure 1 (Sheet 1)

11-30-00

Page 3

15.02.13

Note: Placards illustrated not in scale.



Interior Placards & Markings - German
Figure 1 (Sheet 2)

Fig. Item 1(2)	QTY RF	Part Number	Nomenclature	Effectivity
			Interior Placards & Markings - German (Refer to 11-00-00, Fig. 1, Item 4 for NHA)	
	1	AT01-2820-160	ELT-Remote-Control	101 - 250 R
	1	AT01-2820-187	ELT-Remote-Control	251 - 999 R
	2	AT01-2820-160	Tankwechsel	101 - 250 R
	2	AT01-2820-187	Tankwechsel	251 - 999 R
	3	AT01-2820-160	Rauchen Verboten	101 - 250 R
	3	AT01-2820-187	Rauchen Verboten	251 - 999 R
	4	AT01-2820-160	Parkbremse	101 - 250 R
	4	AT01-2820-187	Parkbremse	251 - 999 R
	5	AT01-2820-160	Heizung	101 - 250 R
	5	AT01-2820-187	Heizung	251 - 999 R
	6	AT01-2820-160	Choke	101 - 250 R
	6	AT01-2820-187	Choke	251 - 999 R
	7	AT01-2820-160	Öldruck	101 - 250 R
	7	AT01-2820-187	Öldruck	251 - 999 R
	8	AT01-2820-160	Voltmeter	101 - 250 R
	8	AT01-2820-187	Voltmeter	251 - 999 R
	9	AT01-2820-160	Öltemperatur	101 - 250 R
	9	AT01-2820-187	Öltemperatur	251 - 999 R
	10	AT01-2820-160	Trimmanzeige	101 - 250 R
	10	AT01-2820-187	Trimmanzeige	251 - 999 R
	11	AT01-2820-160	Kopflastig	101 - 250 R
	11	AT01-2820-187	Kopflastig	251 - 999 R
	12	AT01-2820-160	Schwanzlastig	101 - 250 R
	12	AT01-2820-187	Schwanzlastig	251 - 999 R
	13	AT01-2820-160	Trimmschalter	101 - 250 R
	13	AT01-2820-187	Trimmschalter	251 - 999 R
	14	AT01-2820-160	Kopfhörer	101 - 250 R
	14	AT01-2820-187	Kopfhörer	251 - 999 R
	15	AT01-2820-160	Pilot	101 - 250 R
	15	AT01-2820-187	Pilot	251 - 999 R
	16	AT01-2820-160	Copilot	101 - 250 R
	16	AT01-2820-187	Copilot	251 - 999 R
	17	AT01-2820-160	COM/NAV1	101 - 250 R
	17	AT01-2820-187	COM/NAV1	251 - 999 R
	18	AT01-2820-160	COM/NAV2	101 - 250 R
	18	AT01-2820-187	COM/NAV2	251 - 999 R
	19	AT01-2820-160	Sicherungsbezeichnungen	101 - 250 R
	- 19	AT01-2820-187	Sicherungsbezeichnungen	251 - 999 R

- Item not illustrated

Interior Placards & Markings - German
Figure 1 (Sheet 2)

11-30-00

Page 5

15.02.13

Note: Placards illustrated not in scale.

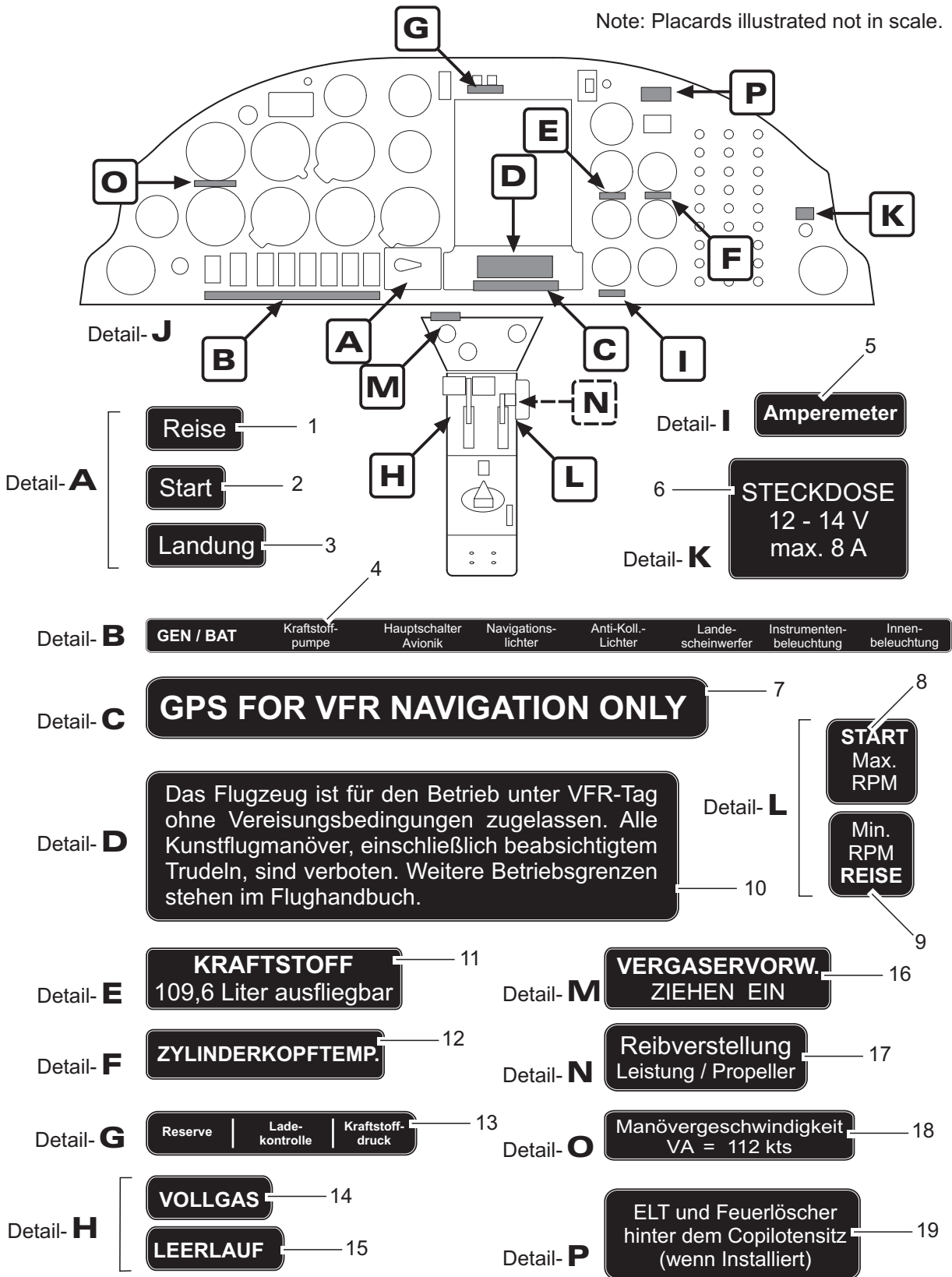


Fig. Item 1(3)	QTY RF	Part Number	Nomenclature	Effectivity
			Interior Placards & Markings - German (Refer to 11-00-00, Fig. 1, Item 4 for NHA)	
1	1	AT01-2820-160	Reise (Klappenschalter)	101 - 250 R
1	1	AT01-2820-187	Reise (Klappenschalter)	251 - 999 R
2	1	AT01-2820-160	Start (Klappenschalter)	101 - 250 R
2	1	AT01-2820-187	Start (Klappenschalter)	251 - 999 R
3	1	AT01-2820-160	Landung (Klappenschalter)	101 - 250 R
3	1	AT01-2820-187	Landung (Klappenschalter)	251 - 999 R
4	1	AT01-2820-160	Schalterbezeichnungen	101 - 250 R
- 4	1	AT01-2820-187	Schalterbezeichnungen	251 - 999 R
5	1	AT01-2820-160	Ampermeter	101 - 250 R
5	1	AT01-2820-187	Ampermeter	251 - 999 R
6	1	AT01-2820-160	Steckdose	101 - 250 R
6	1	AT01-2820-187	Steckdose	251 - 999 R
7	1	AT01-2820-160	GPS FOR VFR NAVIGATION ONLY	101 - 250 R
7	1	AT01-2820-187	GPS FOR VFR NAVIGATION ONLY	251 - 999 R
8	1	AT01-2820-160	Start MAX. RPM	101 - 250 R
8	1	AT01-2820-187	Start MAX. RPM	251 - 999 R
9	1	AT01-2820-160	Min. RPM Reise	101 - 250 R
9	1	AT01-2820-187	Min. RPM Reise	251 - 999 R
10	1	AT01-2820-160	Zulassung VFR-Tag	101 - 250 R
- 10	1	AT01-2820-160	Zulassung VFR-Tag / VFR-Nacht	NVFR R
10	1	AT01-2820-187	Zulassung VFR-Tag	251 - 999 R
- 10	1	AT01-2820-187	Zulassung VFR-Tag / VFR-Nacht	NVFR R
11	1	AT01-2820-160	Kraftstoff..	101 - 250 R
11	1	AT01-2820-187	Kraftstoff..	251 - 999 R
12	1	AT01-2820-160	Zylinderkopftemp.	101 - 250 R
12	1	AT01-2820-187	Zylinderkopftemp.	251 - 999 R
13	1	AT01-2820-160	Beschriftung Kontrollleuchten	101 - 250 R
- 13	1	AT01-2820-187	Beschriftung Kontrollleuchten	251 - 999 R
14	1	AT01-2820-160	Vollgas	101 - 250 R
14	1	AT01-2820-187	Vollgas	251 - 999 R
15	1	AT01-2820-160	Leerlauf	101 - 250 R
15	1	AT01-2820-187	Leerlauf	251 - 999 R
16	1	AT01-2820-160	Vergaservorw.	101 - 250 R
16	1	AT01-2820-187	Vergaservorw.	251 - 999 R
17	1	AT01-2820-160	Reibverstellung	101 - 250 R
17	1	AT01-2820-187	Reibverstellung	251 - 999 R
18	1	AT01-2820-160	Manövergeschwindigkeit	101 - 250 R
18	1	AT01-2820-187	Manövergeschwindigkeit	251 - 999 R
19	1	AT01-2820-160	ELT und Feuerlöscher...	101 - 250 R
19	1	AT01-2820-187	ELT und Feuerlöscher...	251 - 999 R
- 20	1	AT01-2820-160	Dimmer Instrumentenbeleuchtung	NVFR R
- 20	1	AT01-2820-187	Dimmer Instrumentenbeleuchtung	NVFR R

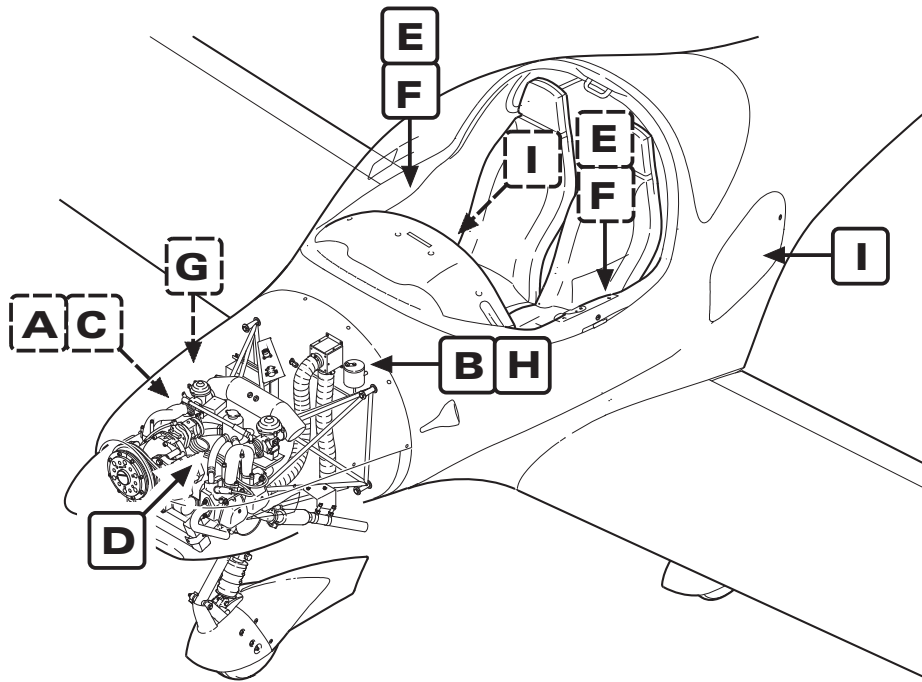
- Item not illustrated

Interior Placards & Markings - German
Figure 1 (Sheet 3)

11-30-00

Page 7

15.02.13



<p>Detail-A</p>	<p>! CAUTION ! <u>DO NOT</u> use aviation grade oil Refer to POH</p>	1	<p>Detail-E</p>	<p>CANOPY OPEN</p>	5
<p>Detail-B</p>	<p>! CAUTION ! <u>DO NOT</u> use automotive brake fluid Refer to POH</p>	2	<p>Detail-F</p>	<p>CANOPY CLOSED</p>	6
<p>Detail-C</p>	<p>OIL CAPACITY 3,0 (l) REFER to POH</p>	3	<p>Detail-G</p>	<p>COOLANT</p>	7
<p>Detail-D</p>	<p>COOLANT DO NOT OPEN</p>	4	<p>Detail-H</p>	<p>HYD. BRAKE FLUID (FLUID 4)</p>	8
			<p>Detail-I</p>	<p>BAGGAGE MAX: 40 kg SECURELY ANCHOR DOWN</p>	9



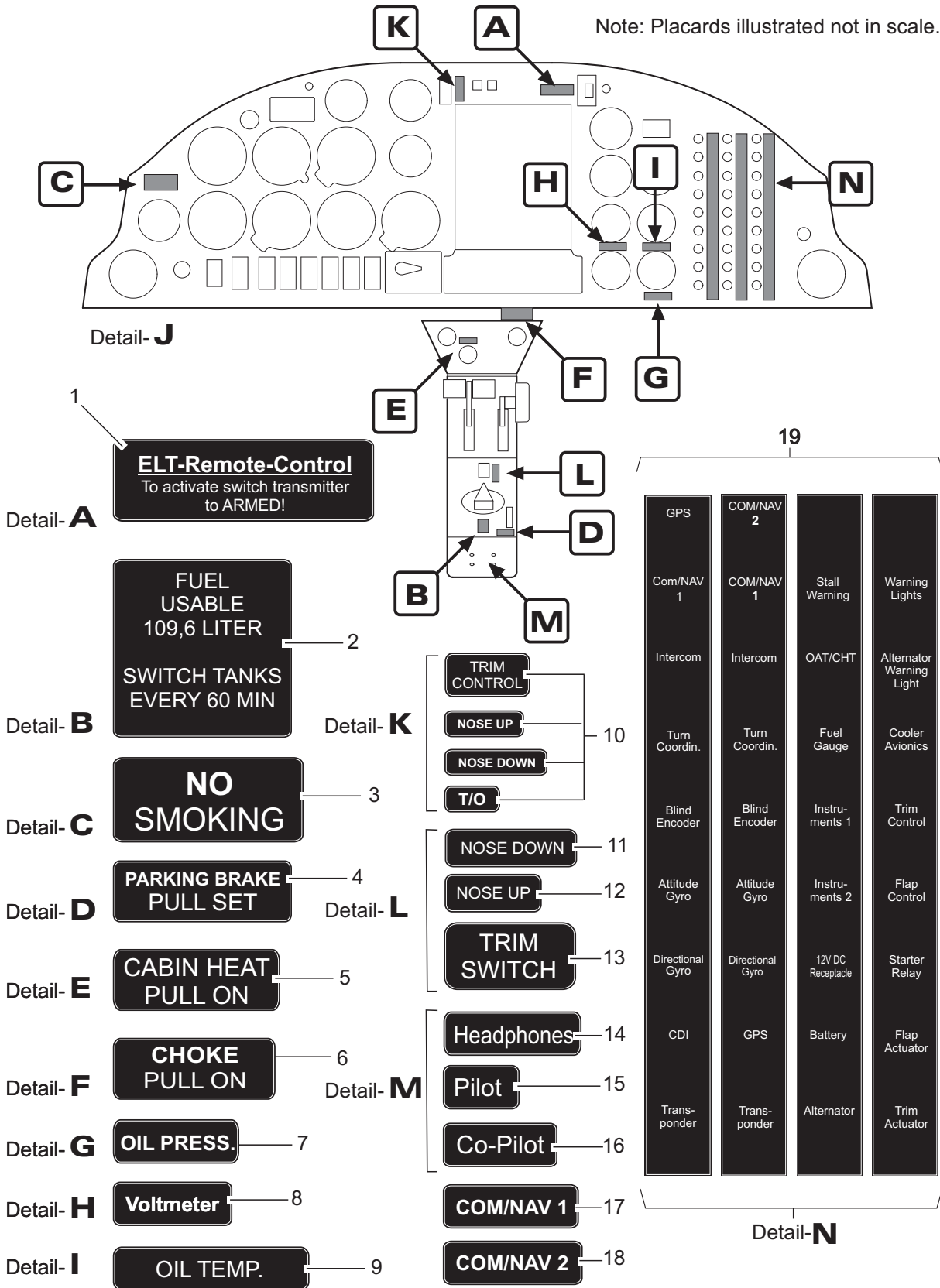
Fig. Item	QTY	Part Number	Nomenclature	Effectivity	
2(1)	RF		Interior Placards & Markings - English (Refer to 11-00-00, Fig. 1, Item 5 for NHA)		
1	1	AT01-2820-120	Caution DO NOT use aviation grade oil		
2	1	AT01-2820-120	Caution DO NOT use automotiv brake fluide		
3	1	AT01-2820-120	Oil capacity		
4	1	AT01-2820-120	Coolant do not open		
5	1	AT01-2820-161	Canopy open	101 - 250	R
5	1	AT01-2820-199	Canopy open	251 - 999	R
6	1	AT01-2820-161	Canopy closed	101 - 250	R
6	1	AT01-2820-199	Canopy closed	251 - 999	R
7	1	AT01-2820-120	Coolant		
8	1	AT01-2820-120	Hydr. brake fluid		
9	1	AT01-2820-161	Baggage	101 - 250	R
9	1	AT01-2820-199	Baggage	251 - 999	R

- Item not illustrated

AQUILA AT01

ILLUSTRATED PARTS CATALOG

Note: Placards illustrated not in scale.



Interior Placards & Markings - English
Figure 2 (Sheet 2)

Fig. Item	QTY	Part Number	Nomenclature	Effectivity
2(2)	RF		Interior Placards & Markings - English (Refer to 11-00-00, Fig. 1, Item 5 for NHA)	
	1	AT01-2820-161	ELT-Remote-Control	101 - 250 R
	1	AT01-2820-199	ELT-Remote-Control	251 - 999 R
	2	AT01-2820-161	Fuel usable 109,6 liter switch tanks every...	101 - 250 R
	2	AT01-2820-199	Fuel usable 109,6 liter switch tanks every...	251 - 999 R
	3	AT01-2820-161	NO SMOKING	101 - 250 R
	3	AT01-2820-199	NO SMOKING	251 - 999 R
	4	AT01-2820-161	Parking Brake pull set	101 - 250 R
	4	AT01-2820-199	Parking Brake pull set	251 - 999 R
	5	AT01-2820-161	Cabin Heat pull on	101 - 250 R
	5	AT01-2820-199	Cabin Heat pull on	251 - 999 R
	6	AT01-2820-161	Choke pull on	101 - 250 R
	6	AT01-2820-199	Choke pull on	251 - 999 R
	7	AT01-2820-161	Oil Press.	101 - 250 R
	7	AT01-2820-199	Oil Press.	251 - 999 R
	8	AT01-2820-161	Voltmeter	101 - 250 R
	8	AT01-2820-199	Voltmeter	251 - 999 R
	9	AT01-2820-161	Oil Temp.	101 - 250 R
	9	AT01-2820-199	Oil Temp.	251 - 999 R
	10	AT01-2820-161	Trim Control Gauge	101 - 250 R
	10	AT01-2820-199	Trim Control Gauge	251 - 999 R
	11	AT01-2820-161	Nose down	101 - 250 R
	11	AT01-2820-199	Nose down	251 - 999 R
	12	AT01-2820-161	Nose up	101 - 250 R
	12	AT01-2820-199	Nose up	251 - 999 R
	13	AT01-2820-161	Trim Switch	101 - 250 R
	13	AT01-2820-199	Trim Switch	251 - 999 R
	14	AT01-2820-161	Headphones	101 - 250 R
	14	AT01-2820-199	Headphones	251 - 999 R
	15	AT01-2820-161	Pilot	101 - 250 R
	15	AT01-2820-199	Pilot	251 - 999 R
	16	AT01-2820-161	Co-Pilot	101 - 250 R
	16	AT01-2820-199	Co-Pilot	251 - 999 R
	17	AT01-2820-161	COM/NAV 1	101 - 250 R
	17	AT01-2820-199	COM/NAV 1	251 - 999 R
	18	AT01-2820-161	COM/NAV 2	101 - 250 R
	18	AT01-2820-199	COM/NAV 2	251 - 999 R
	19	AT01-2820-161	Fuse Placards	101 - 250 R
	- 19	AT01-2820-199	Fuse Placards	251 - 999 R

- Item not illustrated

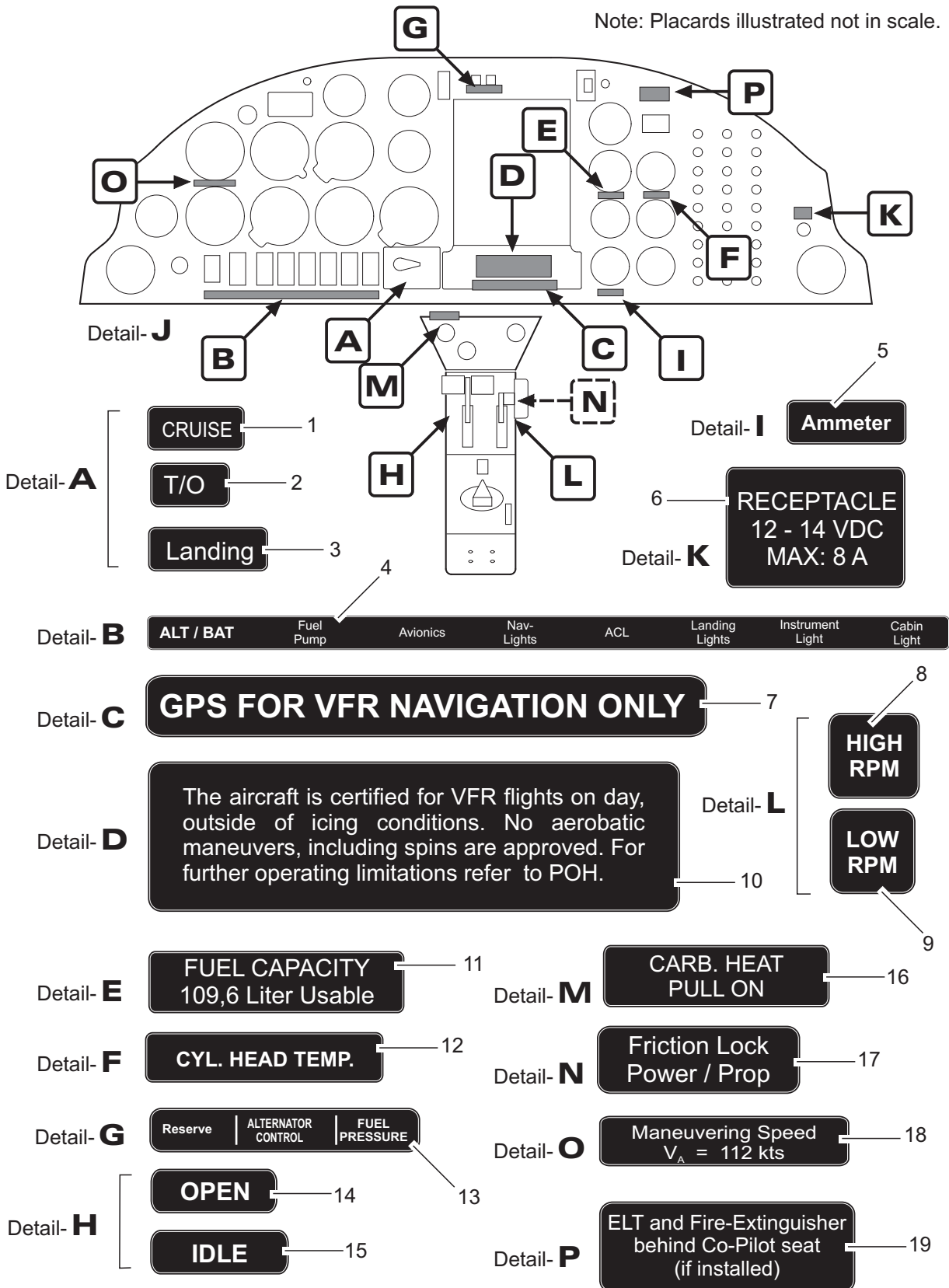
Interior Placards & Markings - English
Figure 2 (Sheet 2)

11-30-00

Page 11

15.02.13

Note: Placards illustrated not in scale.



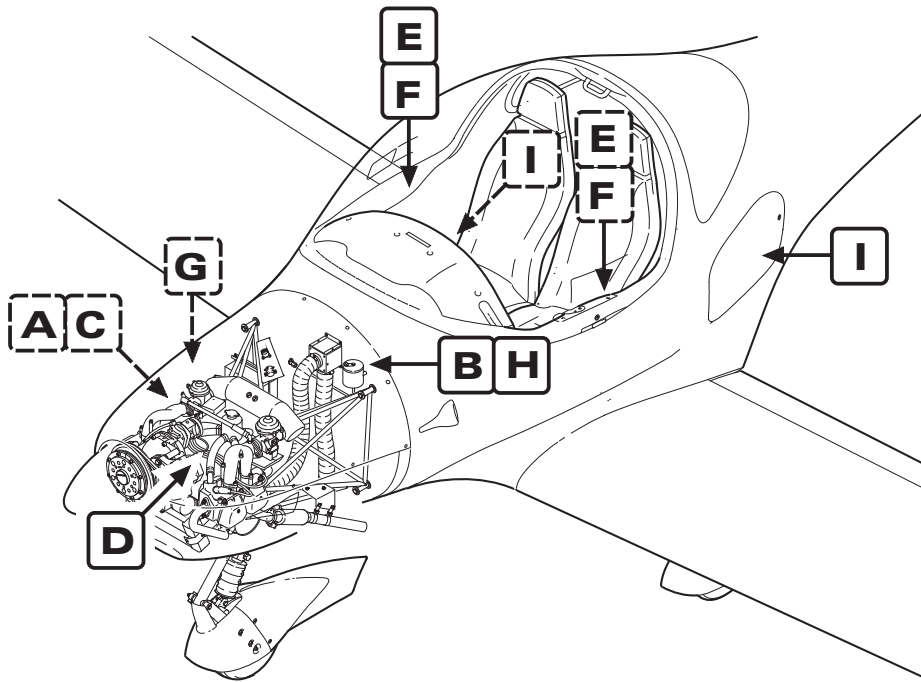
Interior Placards & Markings - English
Figure 2 (Sheet 3)



Fig. Item 2(3)	QTY RF	Part Number	Nomenclature Interior Placards & Markings - English (Refer to 11-00-00, Fig. 1, Item 5 for NHA)	Effectivity
1	1	AT01-2820-161	Cruise	101 - 250 R
1	1	AT01-2820-199	Cruise	251 - 999 R
2	1	AT01-2820-161	T/O	101 - 250 R
2	1	AT01-2820-199	T/O	251 - 999 R
3	1	AT01-2820-161	Landing	101 - 250 R
3	1	AT01-2820-199	Landing	251 - 999 R
4	1	AT01-2820-161	Switch Placards	101 - 250 R
- 4	1	AT01-2820-199	Switch Placards	251 - 999 R
5	1	AT01-2820-161	Ammeter	101 - 250 R
5	1	AT01-2820-199	Ammeter	251 - 999 R
6	1	AT01-2820-161	Receptacle	101 - 250 R
6	1	AT01-2820-199	Receptacle	251 - 999 R
7	1	AT01-2820-161	GPS FOR VFR NAVIGATION ONLY	101 - 250 R
7	1	AT01-2820-199	GPS FOR VFR NAVIGATION ONLY	251 - 999 R
8	1	AT01-2820-161	HIGH RPM	101 - 250 R
8	1	AT01-2820-199	HIGH RPM	251 - 999 R
9	1	AT01-2820-161	LOW RPM	101 - 250 R
9	1	AT01-2820-199	LOW RPM	251 - 999 R
10	1	AT01-2820-161	Certification VFR-Day	101 - 250 R
10	1	AT01-2820-199	Certification VFR-Day	NVFR R
- 10	1	AT01-2820-161	Certification VFR-Day / VFR-Night	251 - 999 R
- 10	1	AT01-2820-199	Certification VFR-Day / VFR-Night	NVFR R
11	1	AT01-2820-161	Fuel Capacity	101 - 250 R
11	1	AT01-2820-199	Fuel Capacity	251 - 999 R
12	1	AT01-2820-161	Cyl. Head Temp.	101 - 250 R
12	1	AT01-2820-199	Cyl. Head Temp.	251 - 999 R
13	1	AT01-2820-161	Indicator Light Placards	101 - 250 R
- 13	1	AT01-2820-199	Indicator Light Placards	251 - 999 R
14	1	AT01-2820-161	OPEN	101 - 250 R
14	1	AT01-2820-199	OPEN	251 - 999 R
15	1	AT01-2820-161	IDLE	101 - 250 R
15	1	AT01-2820-199	IDLE	251 - 999 R
16	1	AT01-2820-161	Carb. Heat	101 - 250 R
16	1	AT01-2820-199	Carb. Heat	251 - 999 R
17	1	AT01-2820-161	Friction Lock	101 - 250 R
17	1	AT01-2820-199	Friction Lock	251 - 999 R
18	1	AT01-2820-161	Maneuvering Speed	101 - 250 R
18	1	AT01-2820-199	Maneuvering Speed	251 - 999 R
19	1	AT01-2820-161	ELT and Fire-Extinguisher...	101 - 250 R
19	1	AT01-2820-199	ELT and Fire-Extinguisher...	251 - 999 R
- 20	1	AT01-2820-161	Dimmer Instrument Panel Lighting	NVFR R
- 20	1	AT01-2820-199	Dimmer Instrument Panel Lighting	NVFR R

- Item not illustrated

Note: Placards illustrated not in scale.



<p>Detail- A</p>	<p>ATTENTION ! Ne pas utiliser d'huile Aviation VOIR MANUEL DE VOL</p>	1	Detail- E	<p>OUVERTURE VERRIERE</p>	5
<p>Detail- B</p>	<p>ATTENTION ! Ne pas utiliser de liquide de frein automobile VOIR MANUEL DE VOL</p>	2	Detail- F	<p>FERMETURE VERRIERE</p>	6
<p>Detail- C</p>	<p>CAPACITE D'HUILE 3,0 (l) VOIR MANUEL DE VOL</p>	3	Detail- G	<p>LIQUIDE DE REFROIDISSEMENT</p>	7
<p>Detail- D</p>	<p>LIQUIDE DE REFROIDISSEMENT NE PAS OUVRIR !</p>	4	Detail- H	<p>FLUID (FLUID 4) HYDRAULIQUE</p>	8
<p>Detail- I</p>	<p>BAGGAGE MAXI: 40 kg BIEN ARRIMES</p>	9			9



Aviation by Excellence GmbH

AQUILA AT01

ILLUSTRATED PARTS CATALOG

Fig. Item	QTY	Part Number	Nomenclature	Effectivity
3(1)	RF		Interior Placards & Markings - French (Refer to 11-00-00, Fig. 1, Item 6 for NHA)	
1	1	AT01-2820-121	Attention Ne pas utilisier d' huile aviation VOIR MANUEL ...	
2	1	AT01-2820-121	Attention Ne pas utilisier de liquide de frein ...	
3	1	AT01-2820-121	Capacite d' huile...	
4	1	AT01-2820-121	Liquide de refroidissement NE PAS OUVRIR	
5	1	AT01-2820-162	Ouverture verriere	R
6	1	AT01-2820-162	Fermeture verriere	R
7	1	AT01-2820-121	Liquide de refroidissement	
8	1	AT01-2820-121	Fluid Hydraulique (Fluid 4)	
9	1	AT01-2820-162	Baggage	R

- Item not illustrated

Interior Placards & Markings - French
Figure 3 (Sheet 1)

11-30-00

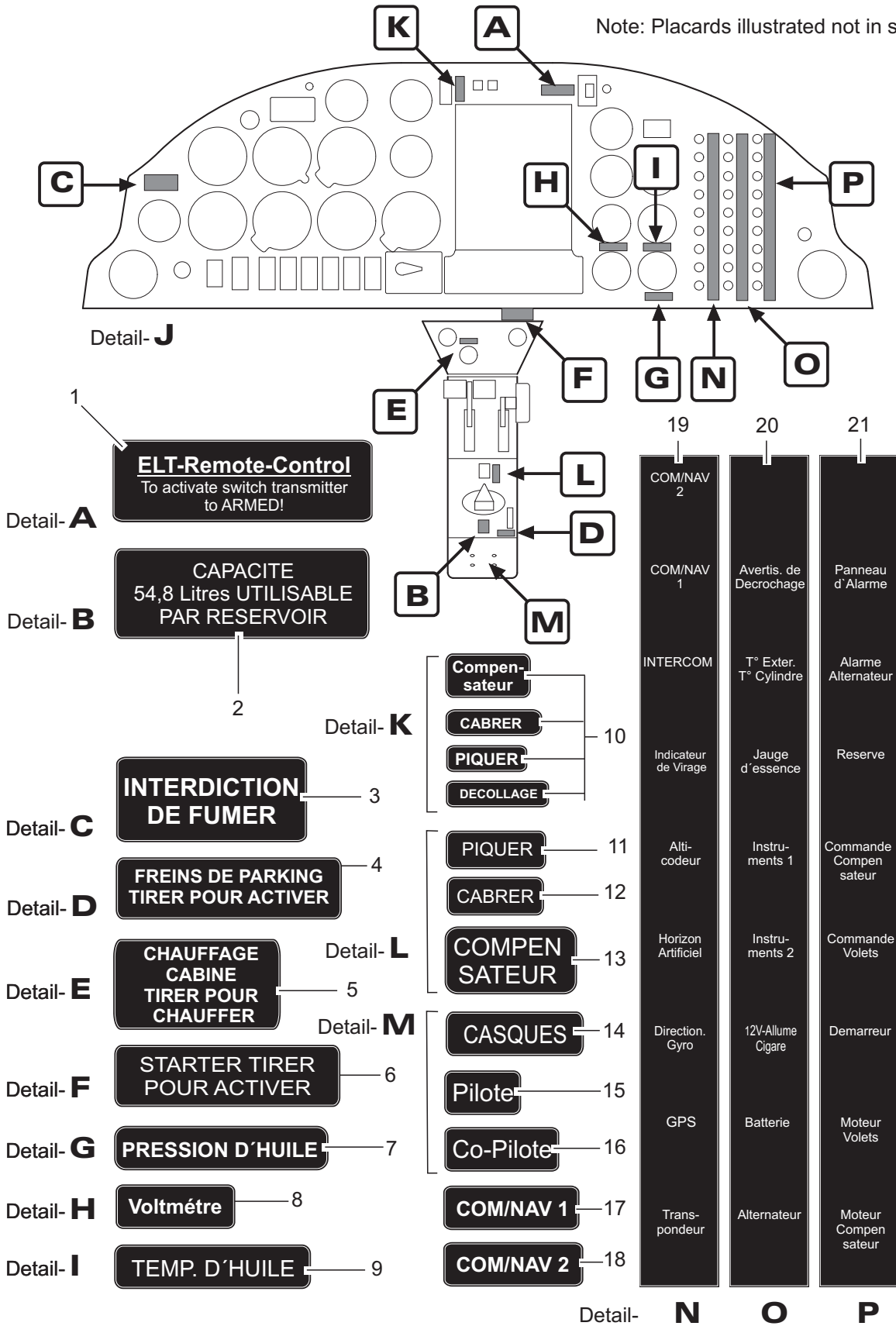
Page 15

15.02.13

AQUILA AT01

ILLUSTRATED PARTS CATALOG

Note: Placards illustrated not in scale.



Interior Placards & Markings - French
Figure 3 (Sheet 2)



Aviation by Excellence GmbH

AQUILA AT01 ILLUSTRATED PARTS CATALOG

Fig. Item	QTY	Part Number	Nomenclature	Effectivity
3(2)	RF		Interior Placards & Markings - French (Refer to 11-00-00, Fig. 1, Item 6 for NHA)	
1	1	AT01-2820-162	ELT-Remote-Control	R
2	1	AT01-2820-162	Capacite 54,8 Litres...	R
3	1	AT01-2820-162	Interdiction de fumer	R
4	1	AT01-2820-162	Freins de Parking...	R
5	1	AT01-2820-162	Chauffage Cabin tirer pour chaffer	R
6	1	AT01-2820-162	Starter tirer pour activer	R
7	1	AT01-2820-162	Pression d' Huile	R
8	1	AT01-2820-162	Voltmètre	R
9	1	AT01-2820-162	Temp. D' Huile	R
10	1	AT01-2820-162	Indicateur de Compensateur	R
11	1	AT01-2820-162	Piquer	R
12	1	AT01-2820-162	Cabrer	R
13	1	AT01-2820-162	Compensateur	R
14	1	AT01-2820-162	Casques	R
15	1	AT01-2820-162	Pilote	R
16	1	AT01-2820-162	Co-Pilote	R
17	1	AT01-2820-162	COM/NAV 1	R
18	1	AT01-2820-162	COM/NAV 2	R
19	1	AT01-2820-162	Indicateur de fusible à gauche	R
20	1	AT01-2820-162	Indicateur de fusible au milieu	R
21	1	AT01-2820-162	Indicateur de fusible à droite	R

- Item not illustrated

Interior Placards & Markings - French
Figure 3 (Sheet 2)

11-30-00

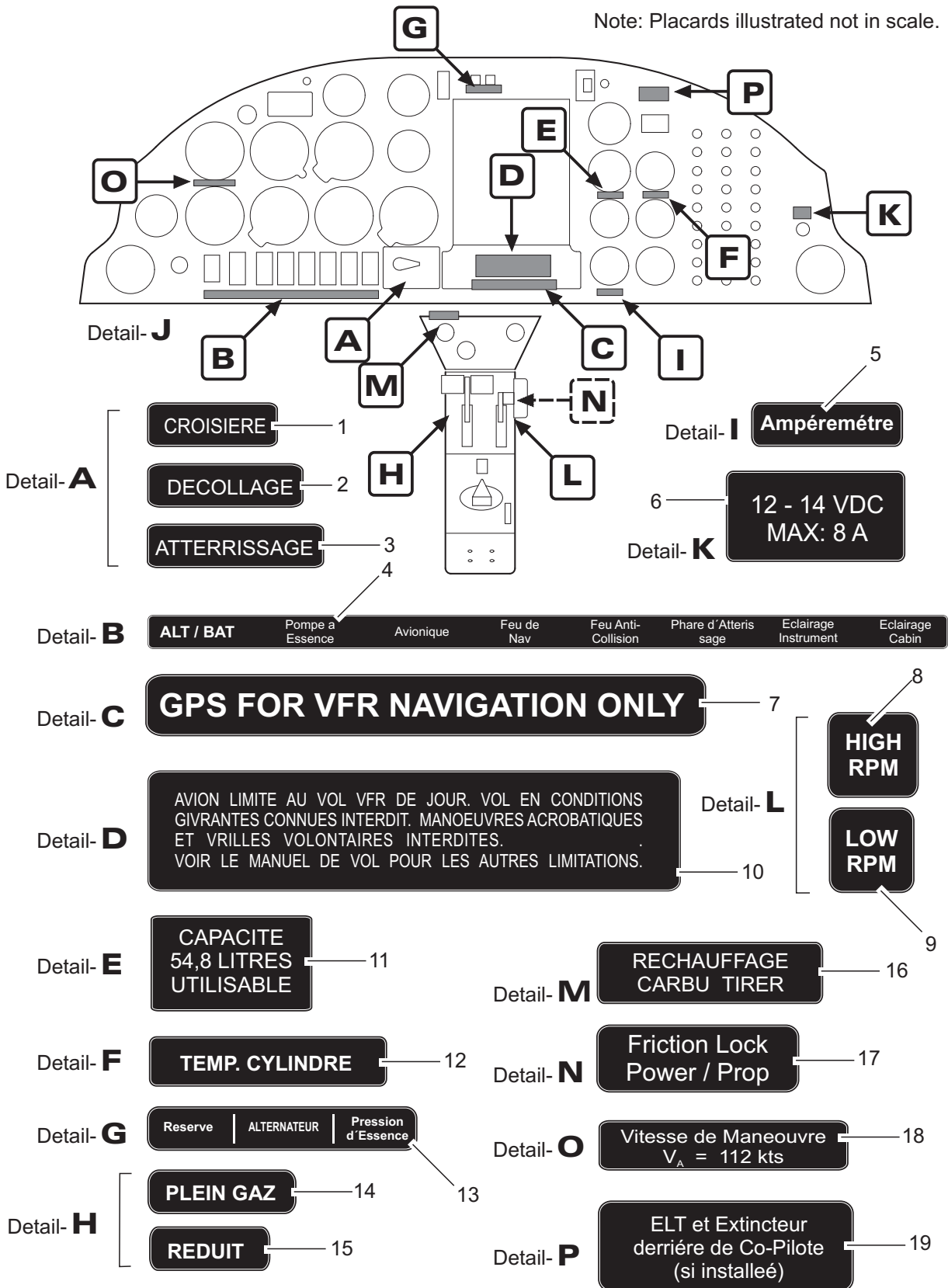
Page 17

15.02.13

AQUILA AT01

ILLUSTRATED PARTS CATALOG

Note: Placards illustrated not in scale.



Interior Placards & Markings - French
Figure 3 (Sheet 3)



Fig. Item	QTY	Part Number	Nomenclature	Effectivity
3(3)	RF		Interior Placards & Markings - French (Refer to 11-00-00, Fig. 1, Item 6 for NHA)	
1	1	AT01-2820-162	Croisiere (volet)	R
2	1	AT01-2820-162	Decollage (volet)	R
3	1	AT01-2820-162	Atterrisage (volet)	R
4	1	AT01-2820-162	Indicateur de commutateur (ALT/ BAT, Pompe a Essence..)	R
5	1	AT01-2820-162	Ampéremètre	R
6	1	AT01-2820-162	la prise de courant (12-14V DC MAX: 8A)	R
7	1	AT01-2820-162	GPS FOR VFR NAVIGATION ONLY	R
8	1	AT01-2820-162	HIGH RPM	R
9	1	AT01-2820-162	LOW RPM	R
10	1	AT01-2820-162	Avion limite au VOL VFR de jour. VOL en...	R
11	1	AT01-2820-162	Capacité 54,8 Litres utilisable	R
12	1	AT01-2820-162	Temp. Cylindre	R
13	1	AT01-2820-162	voyant de contrôle (Alternateur, Pression d'essence)	R
14	1	AT01-2820-162	Plein gaz	R
15	1	AT01-2820-162	Reduit	R
16	1	AT01-2820-162	Rechuffage carbu tirer	R
17	1	AT01-2820-162	Friction Lock Power / Prop	R
18	1	AT01-2820-162	Vitesse de manoeuvre	R
19	1	AT01-2820-162	ELT et Extincteur...	R

- Item not illustrated



Aviation by Excellence GmbH

AQUILA AT01
ILLUSTRATED PARTS CATALOG

CHAPTER 21
VENTILATION & HEATING



TABLE OF CONTENTS

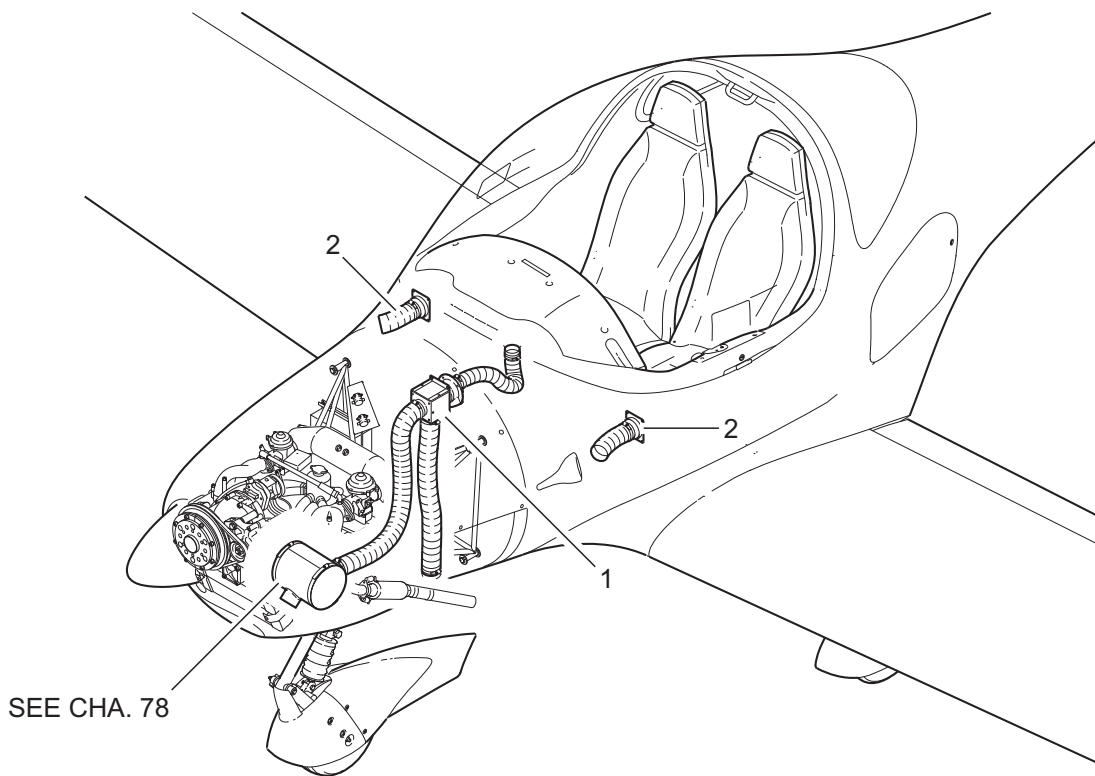
<u>Title</u> <u>Subject</u>	<u>Chapter</u> <u>Section</u> <u>Subject</u>	<u>Figure</u>	<u>Page</u>	<u>Effectivity</u>
VENTILATION & HEATING	21-00-00		1	
Ventilation & Heating - General	21-00-00	1	2	
Heating System Components - Installation	21-00-00	2	4	203 - 999
Heating System Components - Installation	21-00-00	2A	4A	101 - 202
Fresh Air Nozzles - Installation	21-00-00	3	6	199 - 999
Fresh Air Nozzles - Installation	21-00-00	3A	6A	101 - 198



Aviation by Excellence GmbH

AQUILA AT01
ILLUSTRATED PARTS CATALOG

VENTILATION & HEATING
GENERAL





Aviation by Excellence GmbH

AQUILA AT01

ILLUSTRATED PARTS CATALOG

Fig. Item	QTY	Part Number	Nomenclature	Effectivity
1			Heating & Ventilation - General	
	1		Heating System Components - Installation, (Refer to 21-00-00, Figure 2 for Details)	
	2		Fresh Air Nozzle - Installation, (Refer to 21-00-00, Figure 3 for Details)	

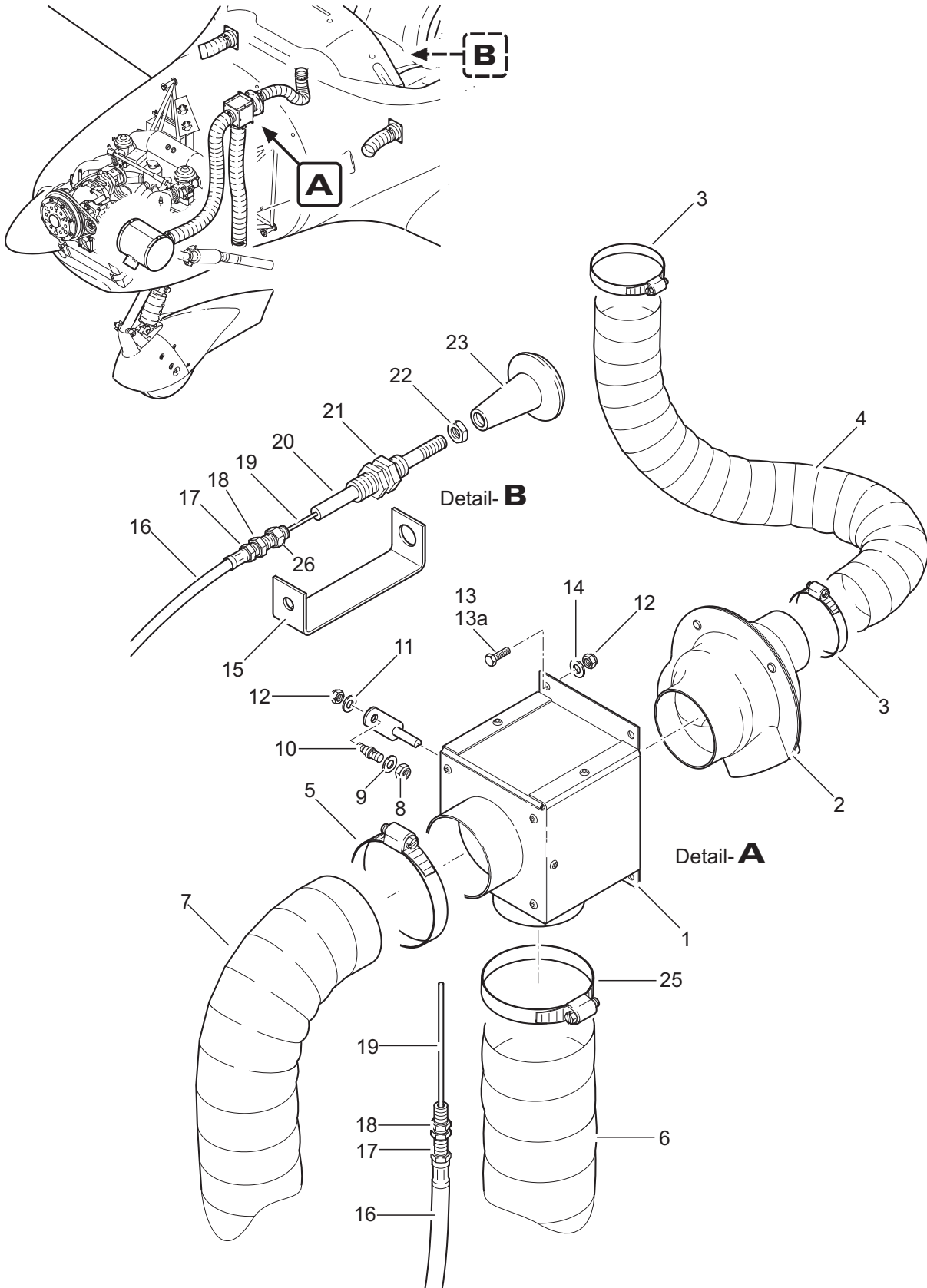
- Item not illustrated

Ventilation & Heating - General
Figure 1

21-00-00

Page 3

15.02.13



EFFECTIVITY

203 - 999

Heating System Components - Installation
Figure 2

21-00-00

Page 4

15.02.13

Fig. Item	QTY	Part Number	Nomenclature	Effectivity
2	RF		Heating System Components - Installation, (Refer to 21-00-00, Fig. 1, Item 1 for NHA)	203 - 999
1	1	AT01-2600-010	Heat Box	R
2	1	AT01-2600-003	Hot-Air Distributer Cabin	
3	2	AT01-4520-489	Hose Clamp 9x25-40	
4	1	AT01-4520-605	Heating Hose for Canopy Ø 42mm / 500mm	R
4	1	AT01-4520-559	Heating Hose for Canopy Ø 42mm / 500mm (optional)	R
5	2	AT01-4520-491	Hose Clamp 9x50-70	
6	1	AT01-4520-601	Hose Exit-Air Ø 51mm / 730mm	R
7	1	AT01-4520-600	Hose Supply-Air Ø 63mm / 1050mm	R
8	1	1800985_M5	Stop Nut	
9	1	1800125_5,3	Washer	
10	1	AT01-2600-107	Clamp Screw	
11	1	1800125_4,3	Washer	
12	5	1800985_M4	Stop Nut	
13	3	1800933_M4x20	Screw	R
13a	1	1800933_M4x30	Screw	R
14	4	1800921_4,3	Washer	
15	1	AT01-7020-114	Bracket	
16	1	AT01-7020-130	Bowden Cable Shell	
17	1	AT01-7020-131	Adjusting Screw (altern. AT01-4520-135)	
18	1		Nut (part of AT01-7020-131)	
19	1	AT01-7020-108	Wire	
20	1	AT01-7020-103	Pull Rod	
21	1	AT01-7020-116	Fitting	
22	1	1800439_M5	Nut	
23	1	AT01-1860-611	Knob	
25	1	AT01-4520-490	Hose Clamp 9x40-60	
26	1	1800439_M6	Nut	

- Item not illustrated

Heating System Components - Installation
Figure 2

21-00-00

Page 5

15.02.13

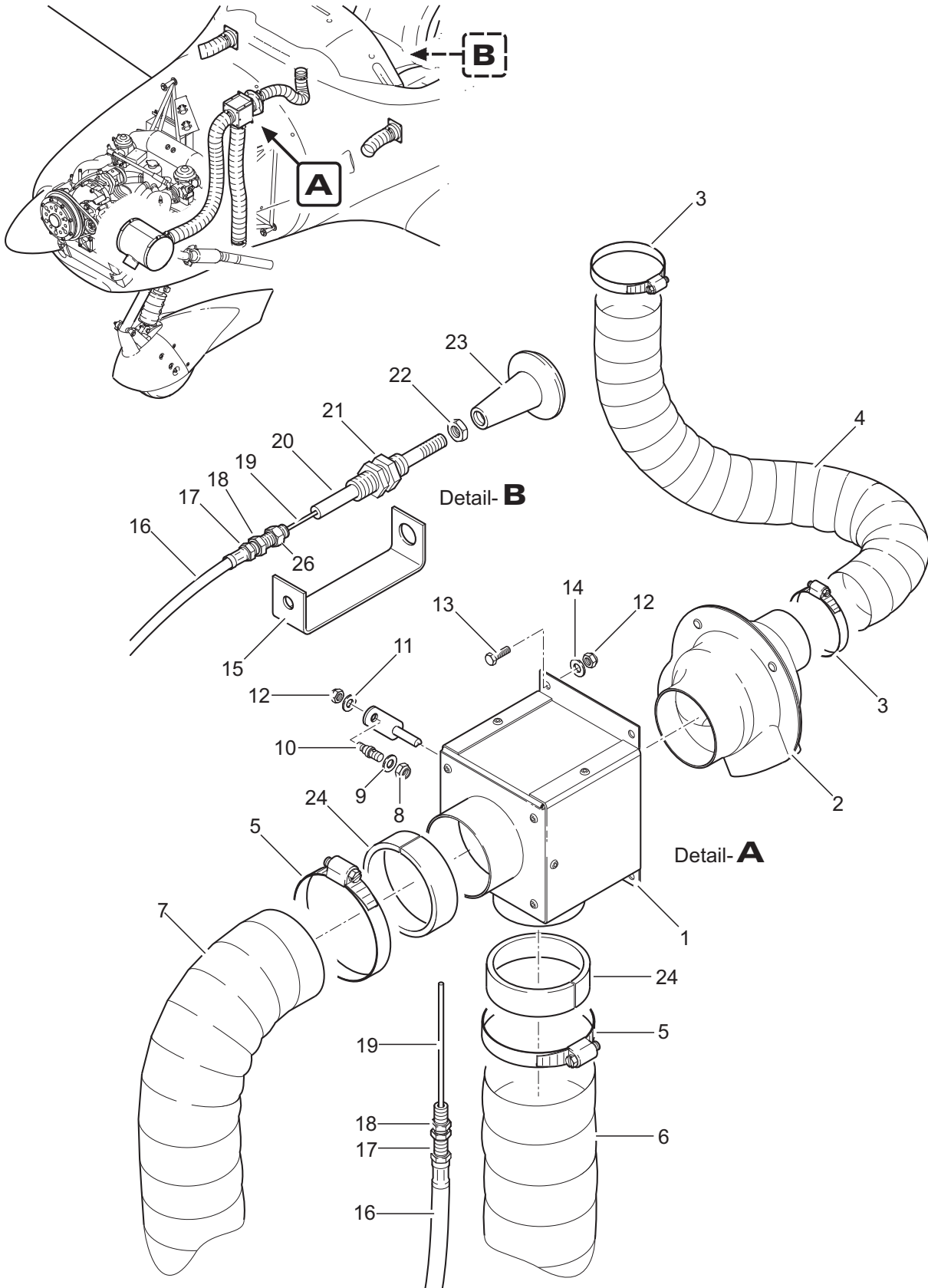


Fig. Item	QTY	Part Number	Nomenclature	Effectivity
2A	RF		Heating System Components - Installation, (Refer to 21-00-00, Fig. 1, Item 1 for NHA)	101 - 202
1	1	AT01-2600-002	Heat Box	
2	1	AT01-2600-003	Hot-Air Distributer Cabin	
3	2	AT01-4520-489	Hose Clamp 9x40-60	
4	1	AT01-4520-605	Heating Hose for Canopy Ø 42mm / 500mm	R
4	1	AT01-4520-559	Heating Hose for Canopy Ø 42mm / 500mm (optional)	R
5	2	AT01-4520-491	Hose Clamp 9x50-70	
6	1	AT01-4520-600	Hose Exit-Air Ø 63mm / 730mm	R
7	1	AT01-4520-600	Hose Supply-Air Ø 63mm / 1050mm	R
8	1	1800985_M5	Stop Nut	
9	1	1800125_5,3	Washer	
10	1	AT01-2600-107	Clamp Screw	
11	1	1800125_4,3	Washer	
12	5	1800985_M4	Stop Nut	
13	3	1800933_M4x20	Screw	R
13a	1	1800933_M4x30	Screw	R
14	4	1800921_4,3	Washer	
15	1	AT01-7020-114	Bracket	
16	1	AT01-7020-130	Bowden Cable Shell	
17	1	AT01-7020-131	Adjusting Screw (altern. AT01-4520-135)	
18	1		Nut (part of AT01-7020-131)	
19	1	AT01-7020-108	Wire	
20	1	AT01-7020-103	Pull Rod	
21	1	AT01-7020-116	Fitting	
22	1	1800439_M5	Nut	
23	1	AT01-1860-611	Knob	
24	2	AT01-2600-129	Adapter	
26	1	1800439_M6	Nut	

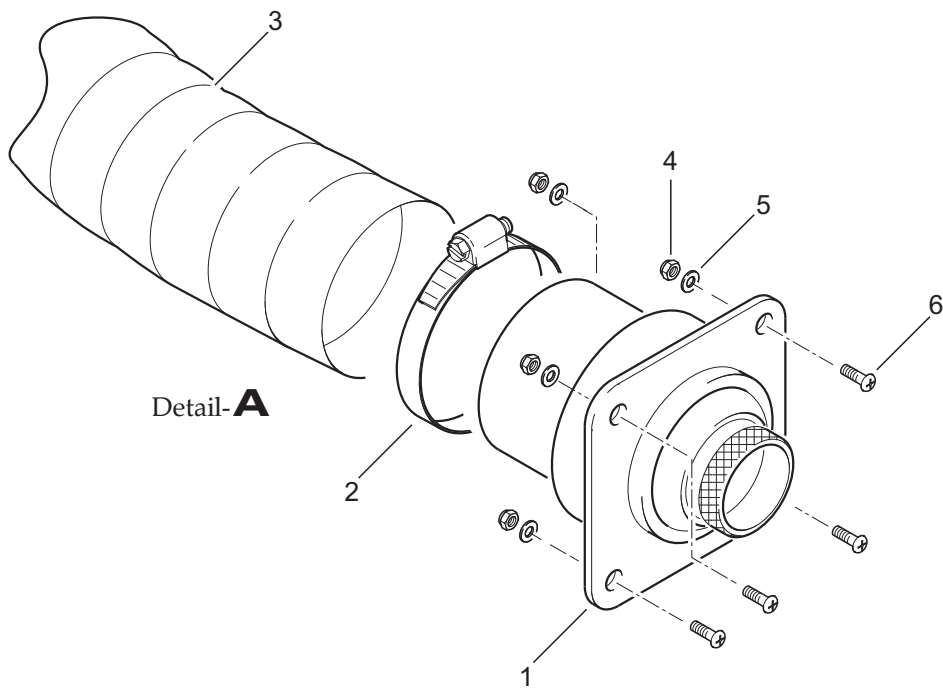
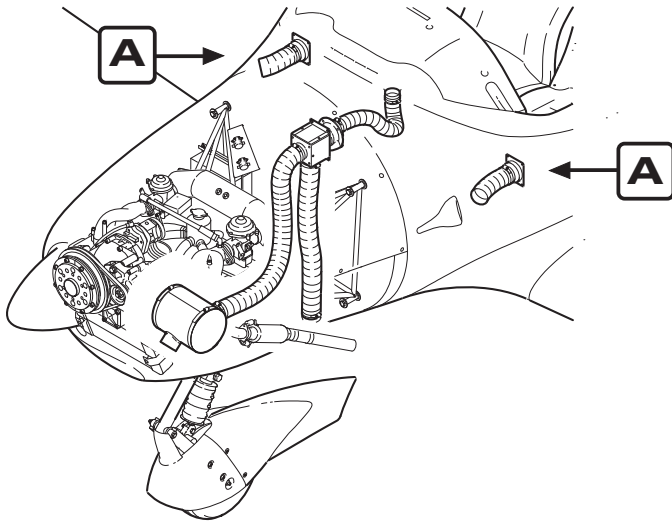
- Item not illustrated

Heating System Components - Installation
Figure 2A

21-00-00

Page 5A

15.02.13





Aviation by Excellence GmbH

AQUILA AT01

ILLUSTRATED PARTS CATALOG

Fig. Item	QTY	Part Number	Nomenclature	Effectivity
3	RF		Fresh Air Nozzle - Installation / Plumbing, (Refer to 21-00-00, Fig. 1, Item 2 for NHA)	199 - 999
1	1	AT01-2630-103	Air Nozzle	
2	1	AT01-4520-490	Hose Clamp 9x40-60	
3	1	AT01-4520-606	Air Hose	R
3	1	AT01-4520-601	Air Hose (optional)	R
4	4	1800934_6-32VNC	Nut	
5	4	1806797_VZ/ I 4,3	Lock Washer	
6	4	AT01-1840-100	Screw	R

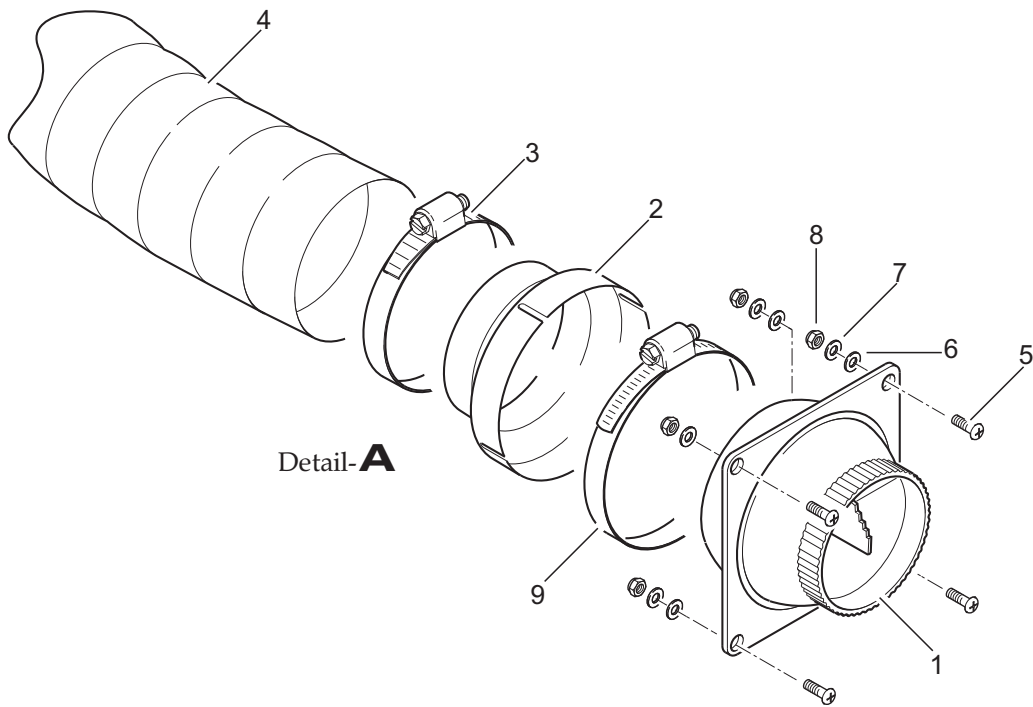
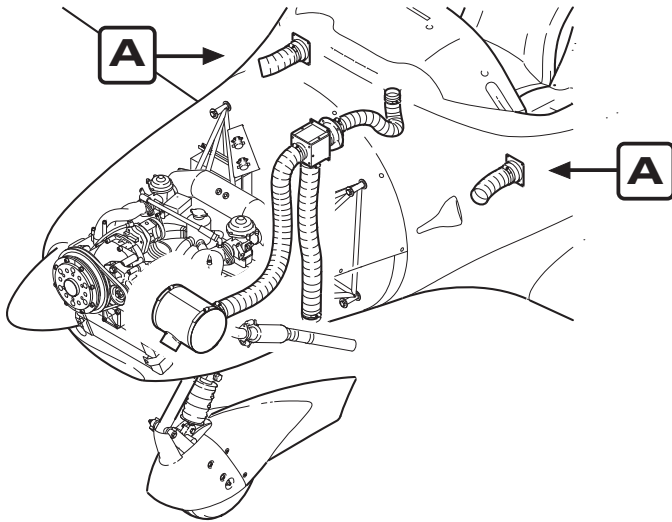
- Item not illustrated

Fresh Air Nozzles - Installation
Figure 3

21-00-00

Page 7

15.02.13





Aviation by Excellence GmbH

AQUILA AT01

ILLUSTRATED PARTS CATALOG

Fig. Item	QTY	Part Number	Nomenclature	Effectivity
3A	RF		Fresh Air Nozzle - Installation / Plumbing, (Refer to 21-00-00, Fig. 1, Item 2 for NHA)	101 - 198
1	1	AT01-2630-100	Air Nozzle	
2	1	AT01-2600-115	Adapter Tube	
3	1	AT01-4520-490	Hose Clamp	
4	1	AT01-4520-606	Air Hose	R
4	1	AT01-4520-601	Air Hose (optional)	R
5	4	1810999	Screw	
6	4	1800125_5,3	Washer	
7	4	1806797_VZ/ I 4,3	Lock Washer	
8	4	1800934_M4	Nut	
9	1	AT01-4520-491	Hose Clamp	

- Item not illustrated

Fresh Air Nozzles - Installation
Figure 3A

21-00-00

Page 7A

15.02.13



Aviation by Excellence GmbH

AQUILA AT01
ILLUSTRATED PARTS CATALOG

CHAPTER 24
ELECTRICAL POWER



TABLE OF CONTENTS

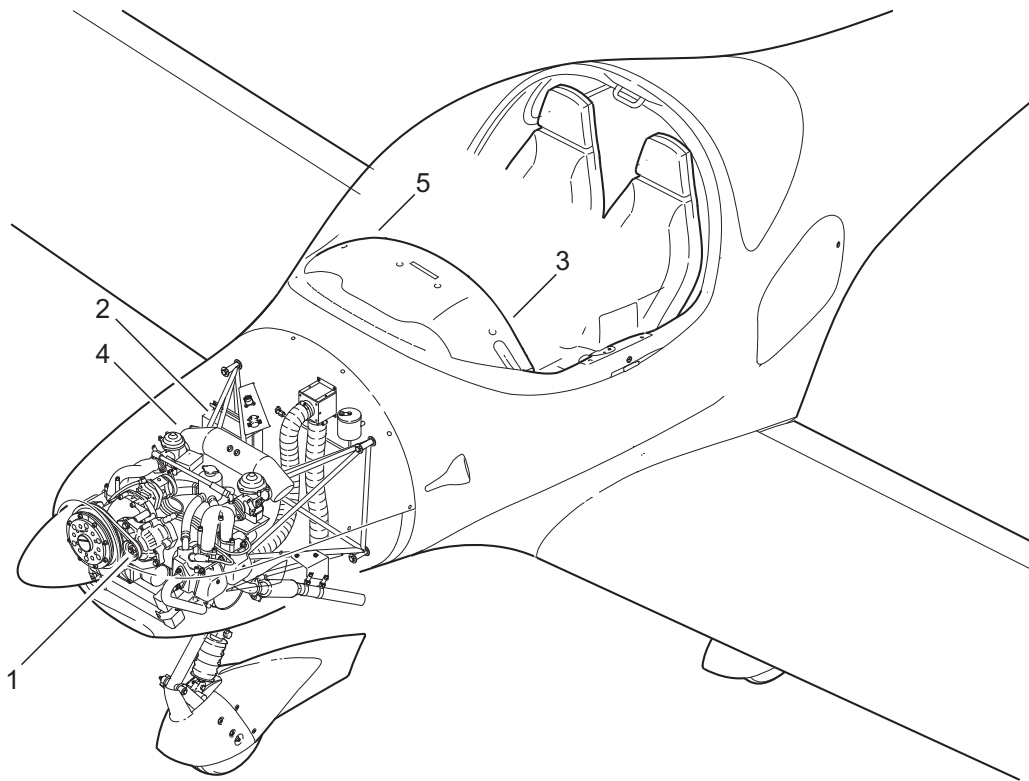
<u>Title</u> <u>Subject</u>	<u>Chapter</u> <u>Section</u> <u>Subject</u>	<u>Figure</u>	<u>Page</u>	<u>Effectivity</u>
ELECTRICAL POWER - GENERAL	24-00-00		1	
Electrical Power - General	24-00-00	1	2	
DC -GENERATION	24-30-00		1	
Generator Installation	24-30-00	1	2	
DC Generation, Components	24-30-00	2	4	
ELECTRICAL LOAD DISTRIBUTION	24-50-00		1	
Electrical Load Distribution, Components	24-50-00	1(1)	2	110 - 999
Electrical Load Distribution, Components	24-50-00	1(2)	4	110 - 999
Circuit Breaker Panel	24-50-00	2	6	



Aviation by Excellence GmbH

AQUILA AT01
ILLUSTRATED PARTS CATALOG

ELECTRICAL POWER
GENERAL



Electrical Power - General
Figure 1



Fig. Item	QTY	Part Number	Nomenclature	Effectivity
1			Electrical Power - General	
	1		Generator Installation, (Refer to 24-30-00, Figure 1 for Details)	
	2		DC Generation, Components, (Refer to 24-30-00, Figure 2 for Details)	
	3		Electrical Load Distribution, Components, (Refer to 24-50-00, Figure 1(1) for Details)	110 - 999
	4		Electrical Load Distribution, Components, (Refer to 24-50-00, Figure 1(2) for Details)	110 - 999
	5		Circuit Breaker Panel, (Refer to 24-50-00, Figure 2 for Details)	

- Item not illustrated

Electrical Power - General
Figure 1

24-00-00

Page 3

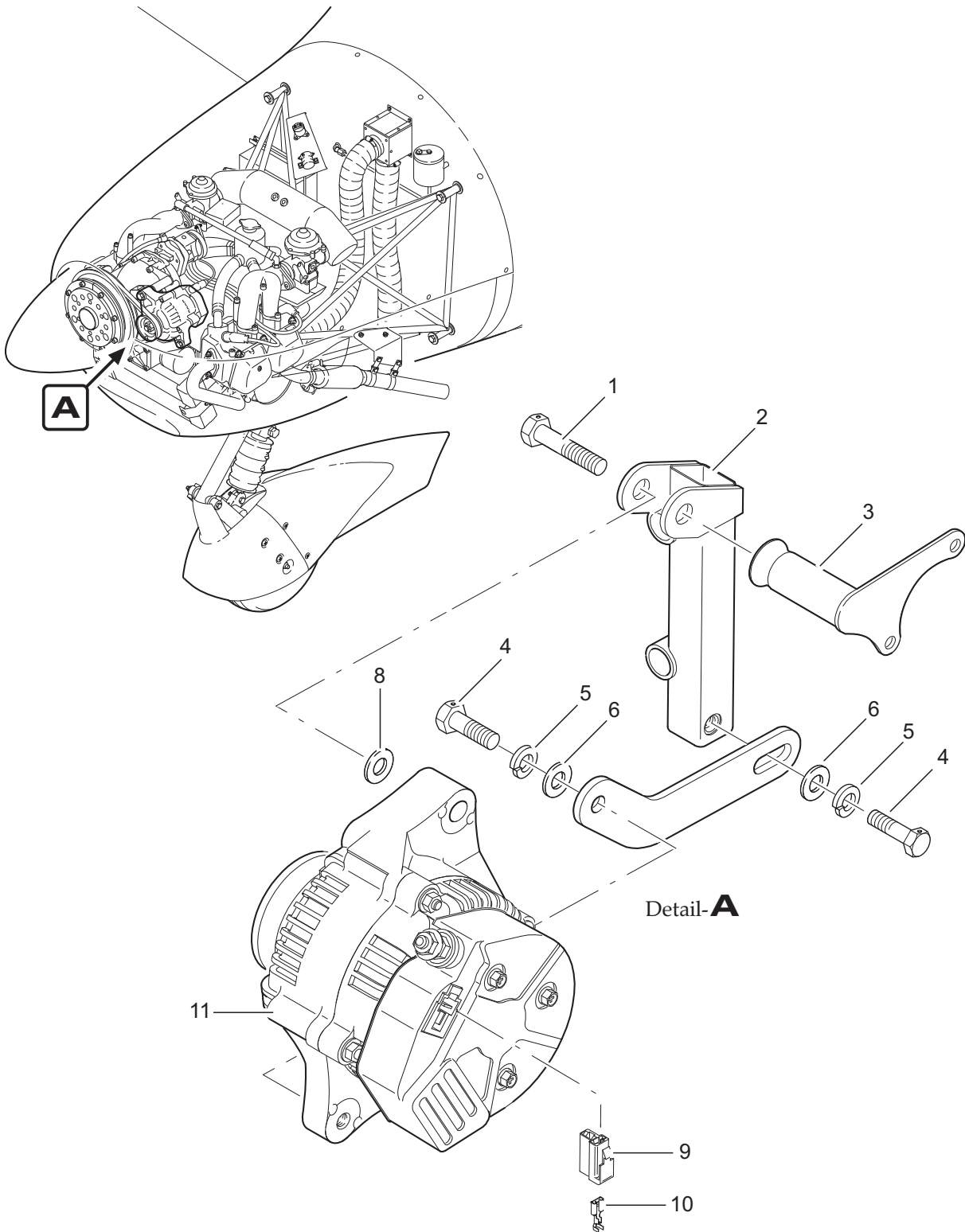
30.06.10



Aviation by Excellence GmbH

AQUILA AT01
ILLUSTRATED PARTS CATALOG

DC GENERATION



Generator Installation
Figure 1



Aviation by Excellence GmbH

AQUILA AT01

ILLUSTRATED PARTS CATALOG

Fig. Item	QTY	Part Number	Nomenclature	Effectivity
1	RF		Generator Installation, (Refer to 24-00-00, Fig. 1, Item 1 for NHA)	
1	1	RO 941636	Hex Screw M10x45 DIN 931	
2	1	RO 953222	Alternator Bracket Assy.	
3	1	RO 953231	Alternator Support Assy.	
4	2	RO 940596	Hex Screw M8x20 DIN 933	
5	2	RO 954752	Lock Washer VHZ8	
6	2	RO 227953	Washer	
7	1	RO 953240	Tension Bar	
8	1	RO 927952	Washer	
9	1	RO 864011	Connector Housing 2-Pole	
10	2	RO 265255	Faston Connector	
11	1	RO 887251	Alternator	

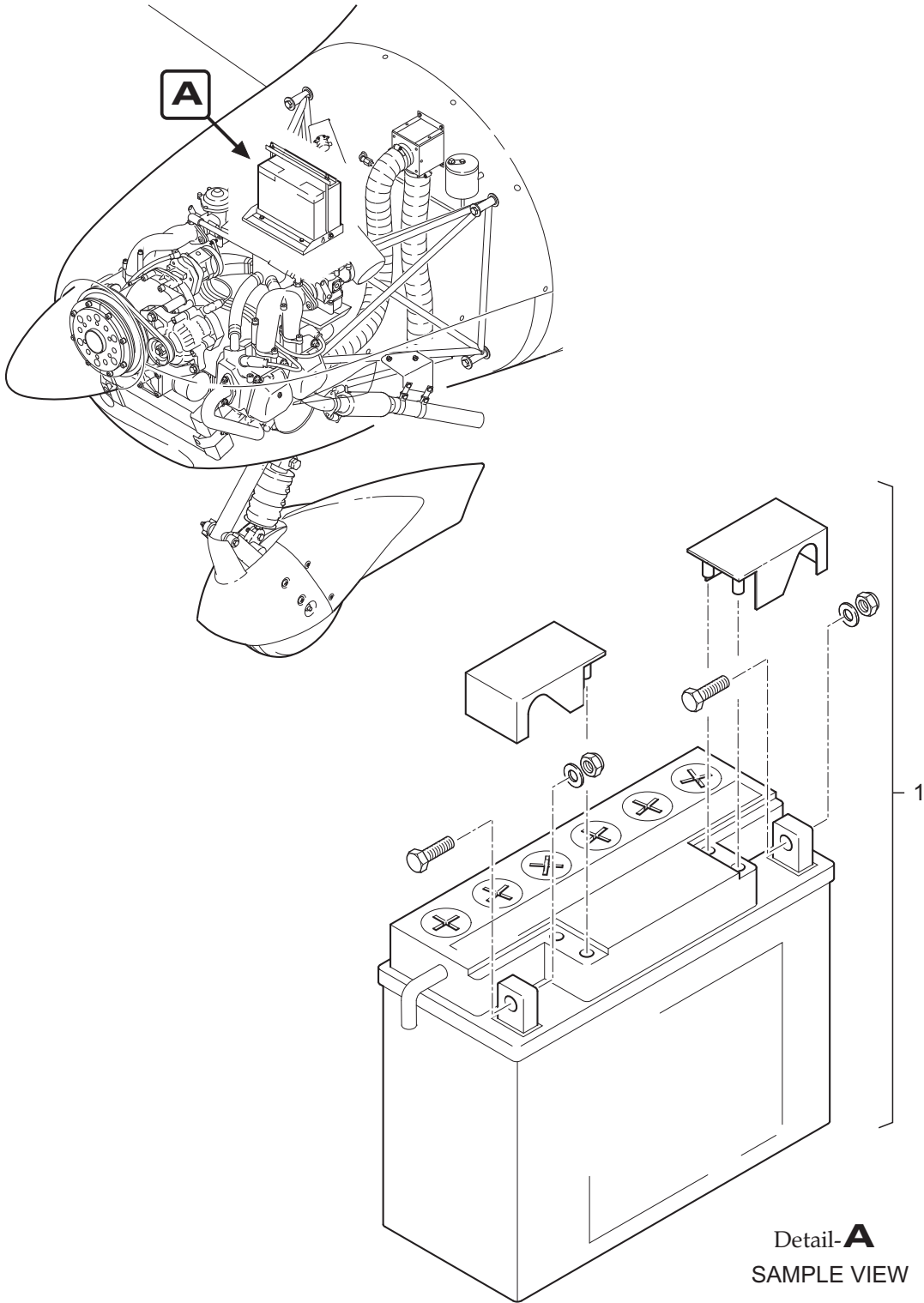
- Item not illustrated

Generator Installation
Figure 1

24-30-00

Page 3

30.06.10





Aviation by Excellence GmbH

AQUILA AT01

ILLUSTRATED PARTS CATALOG

Fig. Item	QTY	Part Number	Nomenclature	Effectivity
2	RF		DC Generation, Components, (Refer to 24-00-00, Fig. 1, Item 2 for NHA)	
1	1	AT01-8210-123	Battery, Lead Acid, 30Ah	
1	1	AT01-8210-125	Battery, Lead Acid, 24Ah, Concorde Batt. Corp.	

- Item not illustrated

DC Generation, Components
Figure 2

24-30-00

Page 5

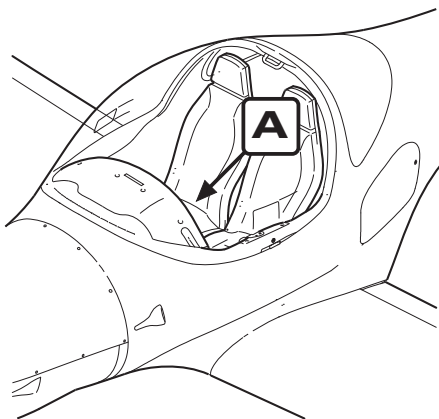
30.06.10



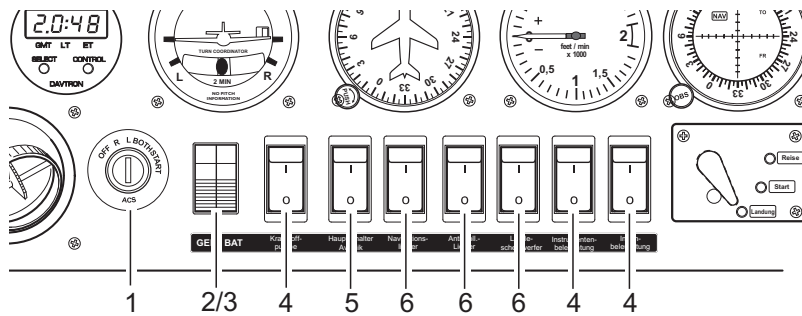
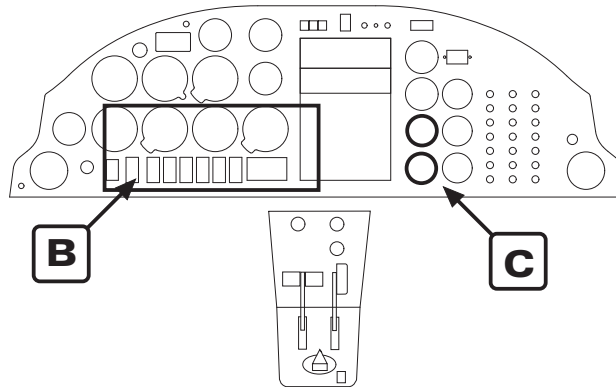
Aviation by Excellence GmbH

AQUILA AT01
ILLUSTRATED PARTS CATALOG

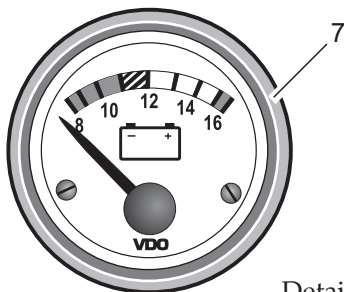
**ELECTRICAL LOAD
DISTRIBUTION**



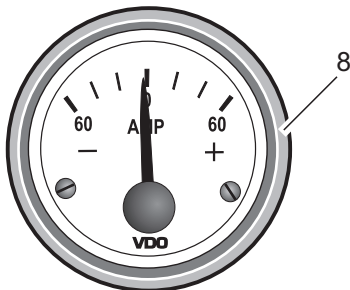
Detail-**A**



Detail-**B**



Detail-**C**



Electrical Load Distribution, Components
Figure 1 (Sheet 1)



Aviation by Excellence GmbH

AQUILA AT01

ILLUSTRATED PARTS CATALOG

Fig. Item	QTY	Part Number	Nomenclature	Effectivity
1(1)	RF		Electrical Load Distribution, Components, (Refer to 24-00-00, Fig. 1, Item 3 for NHA)	110 - 999
1	1	AT01-8250-105	Keyed Ignition Switch	
2	1	AT01-8250-103	Mount for Master Split Switch	
3	1	AT01-8250-104	Split Switch	
4	3	AT01-4530-403	Fuse Switch (3A)	
5	1	AT01-4530-420	Fuse Switch (20A)	
6	3	AT01-4530-410	Fuse Switch (10A)	
7	1	AT01-2840-126	Battery Voltmeter	
8	1	AT01-2840-121	Amperemeter	

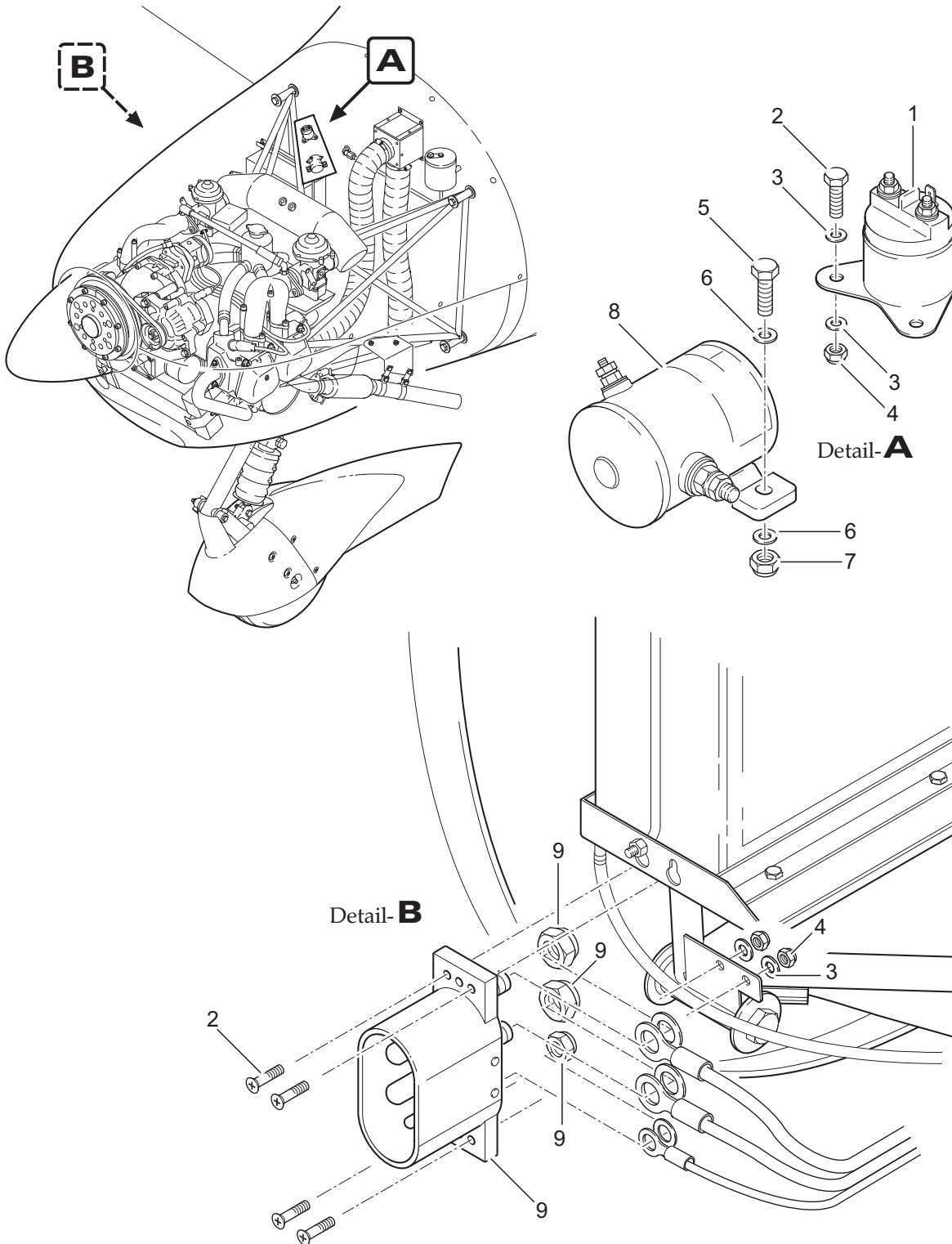
- Item not illustrated

Electrical Load Distribution, Components
Figure 1 (Sheet 1)

24-50-00

Page 3

30.06.10



Electrical Load Distribution, Components
Figure 1 (Sheet 2)



Aviation by Excellence GmbH

AQUILA AT01

ILLUSTRATED PARTS CATALOG

Fig. Item	QTY	Part Number	Nomenclature	Effectivity
1(2)	RF		Electrical Load Distribution, Components, (Refer to 24-00-00, Fig. 1, Item 4 for NHA)	110 - 999
1	1	AT01-7080-107	Starter Relay	
2	6	1800933_M5x25	Bolt	
3	8	1800125_5,3	Washer	
4	6	1800985_M5	Lock Nut	
5	2	1800933_M6x30	Bolt	
6	4	1800125_6,3	Washer	
7	2	1800985_M6	Lock Nut	
8	1	AT01-4530-601	Battery Relay	
9	1	AT01-8220-120	External Power Supply Recaptacle	

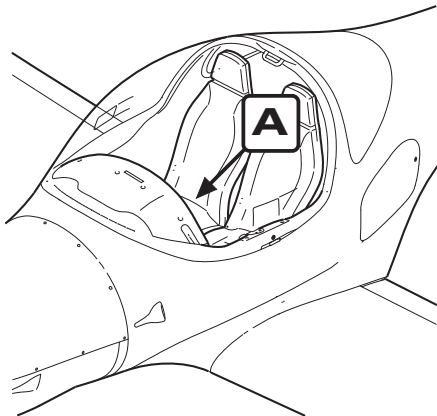
- Item not illustrated

Electrical Load Distribution, Components
Figure 1 (Sheet 2)

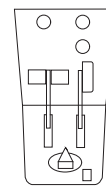
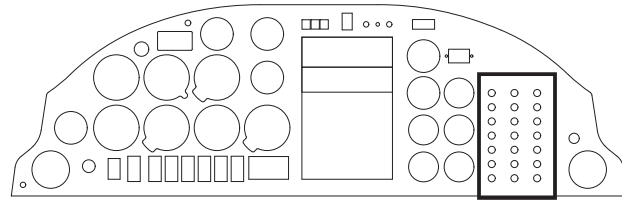
24-50-00

Page 5

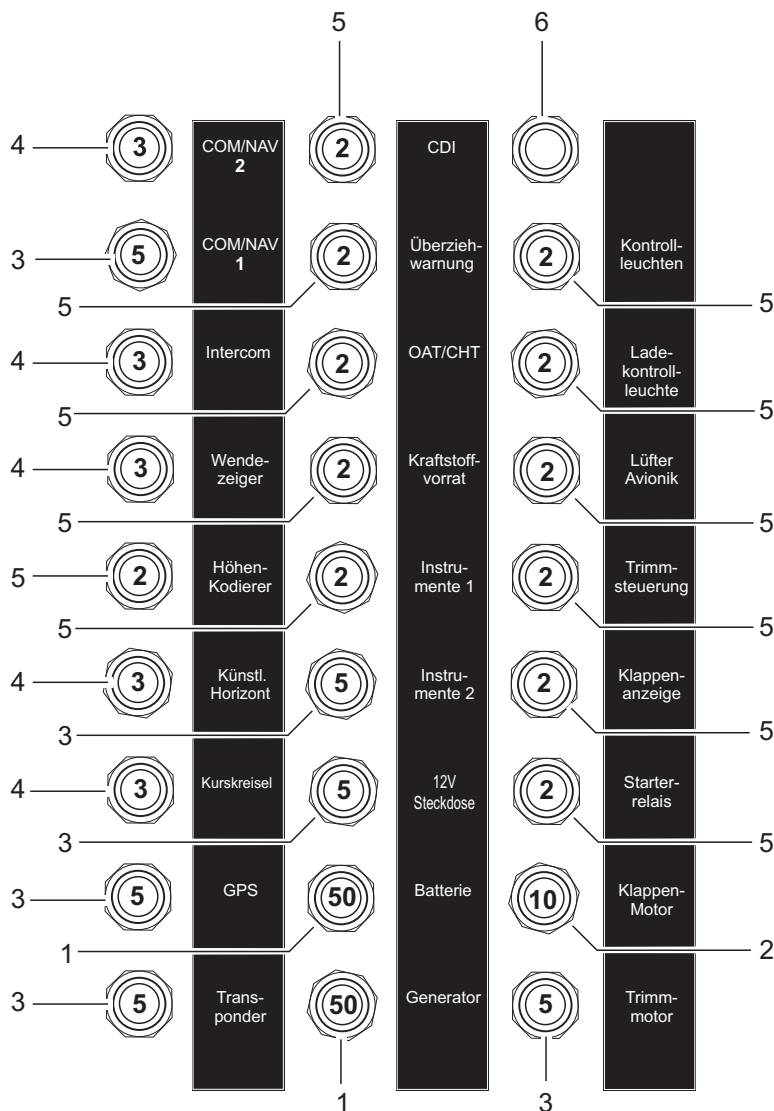
30.06.10



Detail-A



B



Detail-B

Circuit Breaker Panel
Figure 2



Fig. Item	QTY	Part Number	Nomenclature	Effectivity
2	RF		Circuit Breaker Panel, (Refer to 24-00-00, Fig. 1, Item 5 for NHA)	
1	12	AT01-4530-302	Circuit Breaker 2A	
2	5	AT01-4530-303	Circuit Breaker 3A	
3	5	AT01-4530-305	Circuit Breaker 5A	
4	1	AT01-4530-310	Circuit Breaker 10A	
5	2	AT01-4530-350	Circuit Breaker 50A	
6	1		Reserve	

- Item not illustrated

Circuit Breaker Panel
Figure 2

24-50-00

Page 7

30.06.10



Aviation by Excellence GmbH

AQUILA AT01
ILLUSTRATED PARTS CATALOG

CHAPTER 25
EQUIPMENT & FURNISHINGS



TABLE OF CONTENTS

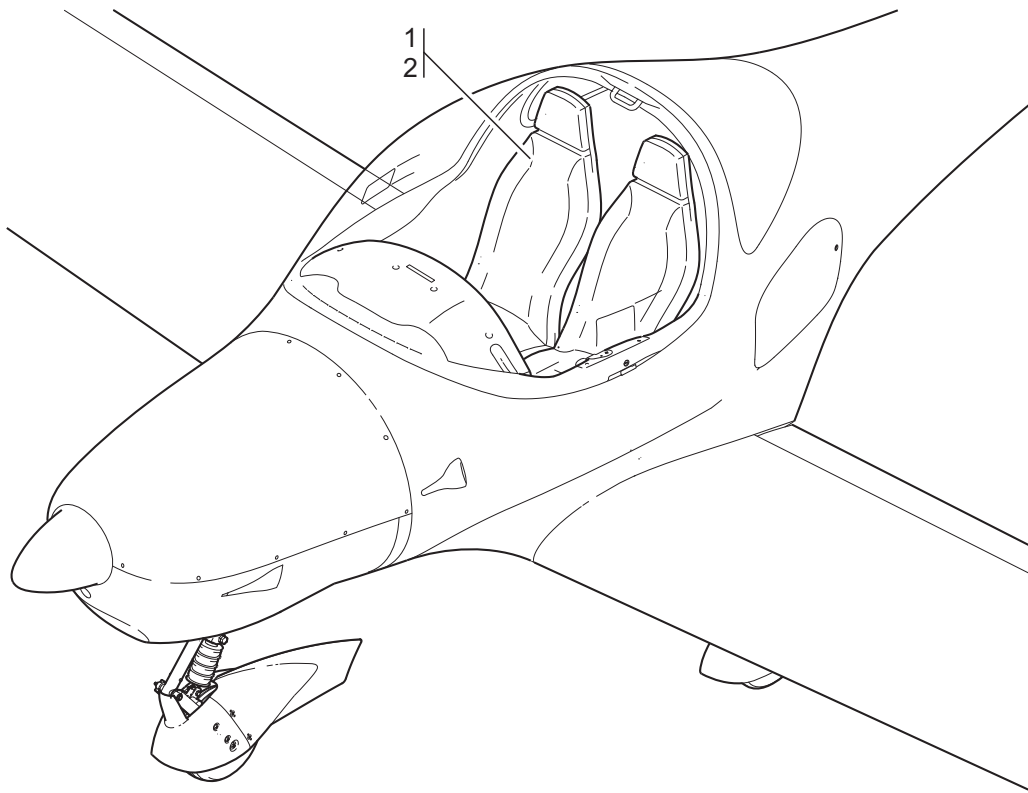
<u>Title</u> <u>Subject</u>	<u>Chapter</u> <u>Section</u> <u>Subject</u>	<u>Figure</u>	<u>Page</u>	<u>Effectivity</u>
EQUIPMENT & FURNISHINGS GENERAL	25-00-00		1	
Equipment & Furnishings - General	25-00-00	1	2	
SEATS	25-10-00		1	
Seats, Installation	25-10-00	1	2	
Restraint System Installation	25-10-00	2	4	



Aviation by Excellence GmbH

AQUILA AT01
ILLUSTRATED PARTS CATALOG

EQUIPMENT & FURNISHINGS
GENERAL





Aviation by Excellence GmbH

AQUILA AT01

ILLUSTRATED PARTS CATALOG

Fig. Item	QTY	Part Number	Nomenclature	Effectivity
1			Equipment & Furnishings - General	
	1		Seats - Installation, (Refer to 25-10-00, Figure 1 for Details)	
	2		Restraint System - Installation 25-10-00, Figure 2 for Details)	

- Item not illustrated

Equipment & Furnishings - General
Figure 1

25-00-00

Page 3

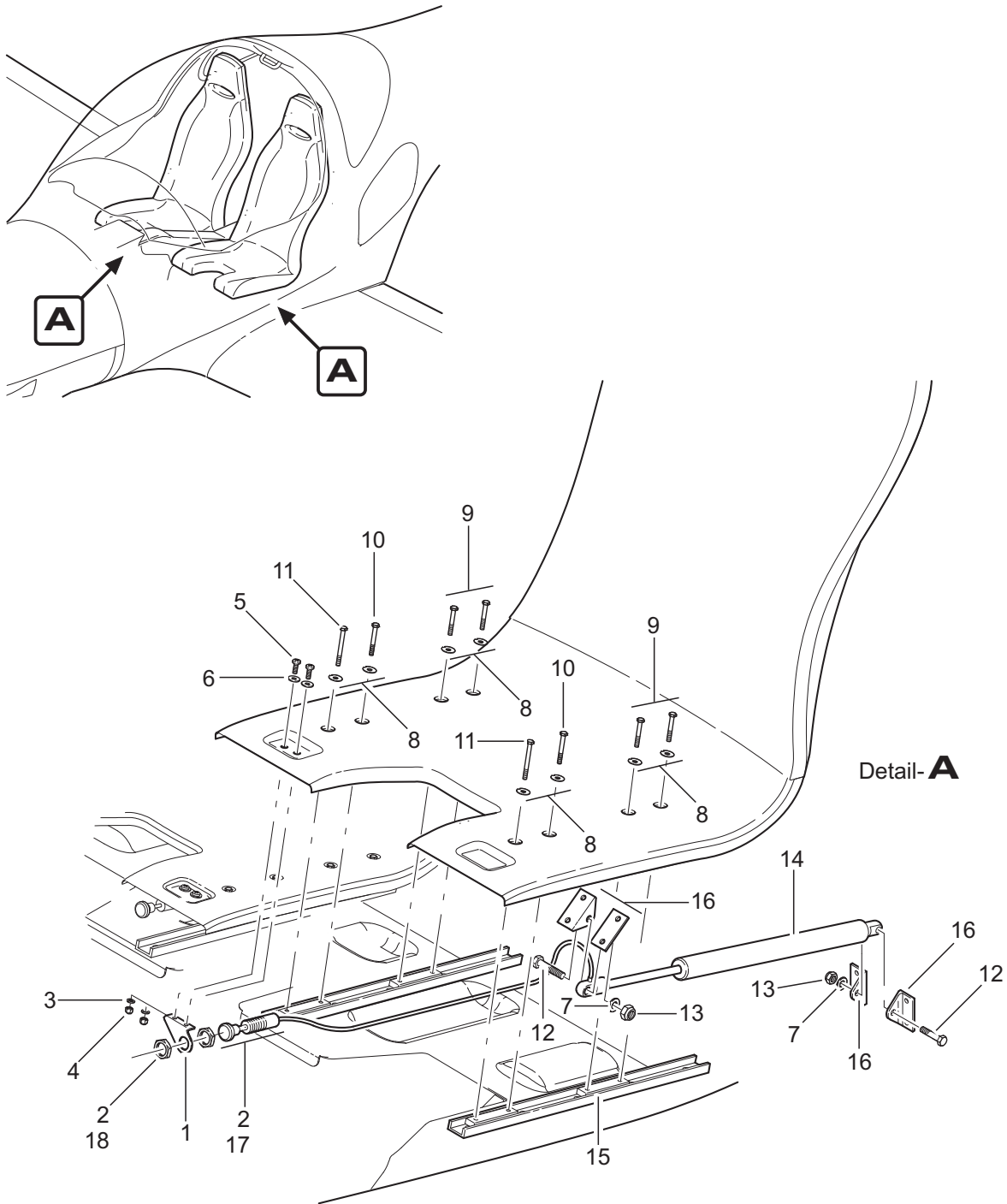
15.02.13



Aviation by Excellence GmbH

AQUILA AT01
ILLUSTRATED PARTS CATALOG

SEATS



Seats - Installation
Figure 1



Fig. Item	QTY	Part Number	Nomenclature	Effectivity
1	RF		Seats - Installation, (Refer to 25-00-00, Fig. 1, Item 1 for NHA)	
1	2	AT01-2150-117	Bracket	104 - 999
2	2	AT01-2150-126	Adjusting Button	104 - 242 R
3	4	1800125_5.3	Washer	104 - 999
4	4	1800985_M5	Nut M5	104 - 999
5	4	1807991_M5x20	Hex Screw	104 - 999 R
6			deleted	R
7	4	1800125_8.4	Washer	
8	16	1809021_5.3	Washer	R
9	8	1800931_M5x35	Hex Screw	
10	4	1800931_M5x40	Hex Screw	
11	4	1800931_M5x45	Hex Screw	
12	4	1809037_M8x32	Hex Screw	
13	4	1800985_M8	Nut M8	
14	2	AT01-2150-007	Gas Strut	
15	4	AT01-2150-103	Seat Rail	
16	8	AT01-4510-128	Mounting Bracket	
17	2	AT01-2150-162	Adjusting Button	243 - 999 R
18	2	1800936_M16x1.5	Nut M16	243 - 999 R

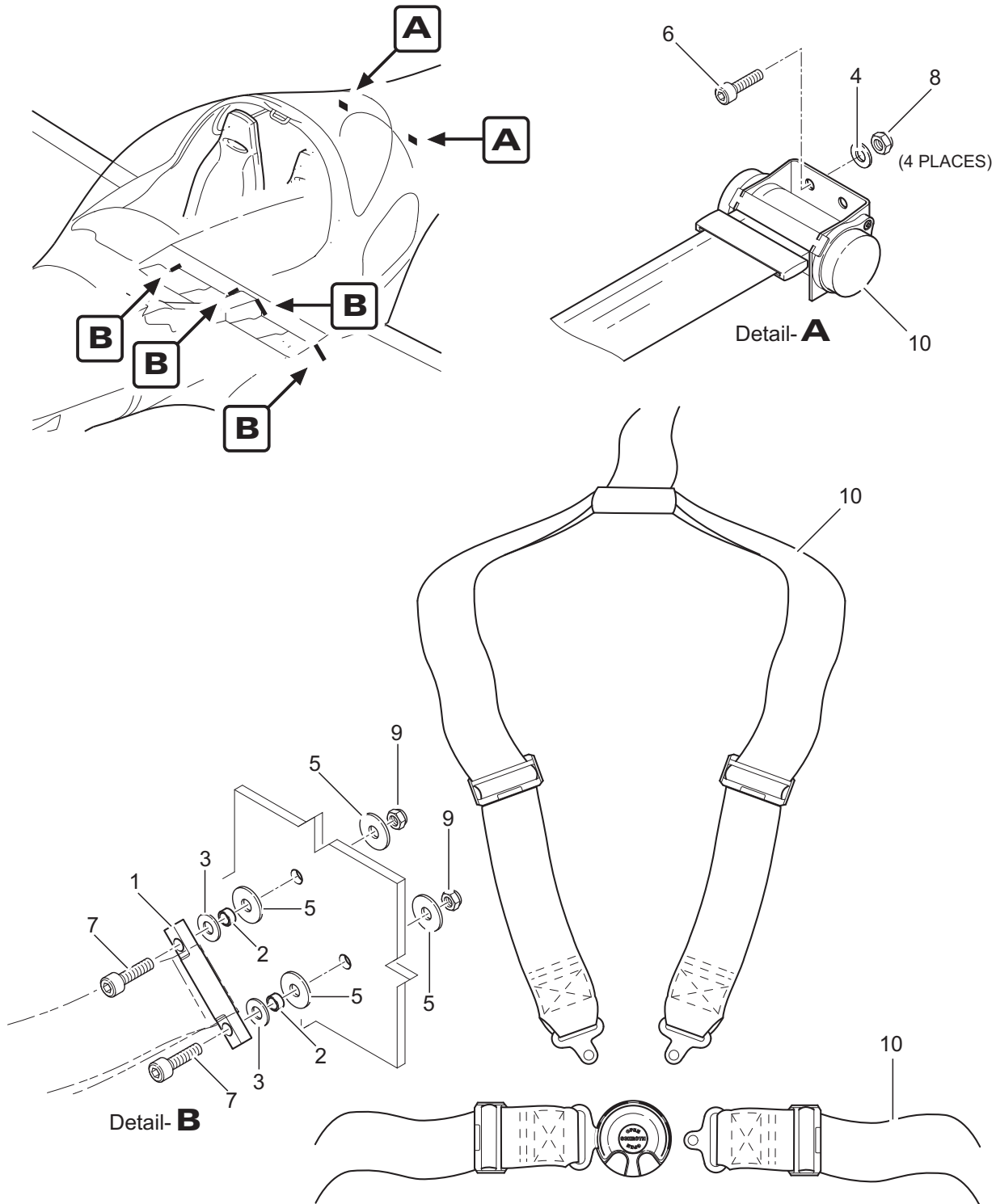
- Item not illustrated

Seats - Installation
Figure 1

25-10-00

Page 3

15.02.13



Restraint System - Installation
Figure 2

Fig. Item	QTY	Part Number	Nomenclature	Effectivity
2	RF		Restraint System - Installation, (Refer to 25-00-00, Fig. 1, Item 1 for NHA)	
1	4	AT01-2150-110	Seatbelt Hoop	
2	8	AT01-4510-110	Spacer Sleeve	
3	8	1800125_8,4	Washer	
4	8	1800440_5,5	Washer	
5	16	1809021_8,4	Washer 8,4x24	
6	8	1800912_M5x25	Allen Screw	
7	8	1800912_M8x50	Allen Screw	
8	8	1800985_M5	Nut M5	
9	8	1800985_M8	Nut M8	
10	1	AT01-2150-130	Seat Belt Left	
-11	1	AT01-2150-131	Seat Belt Right	

- Item not illustrated

Restraint System - Installation
Figure 2

25-10-00

Page 5

15.02.13



Aviation by Excellence GmbH

AQUILA AT01
ILLUSTRATED PARTS CATALOG

CHAPTER 27
FLIGHT CONTROLS

**TABLE OF CONTENTS**

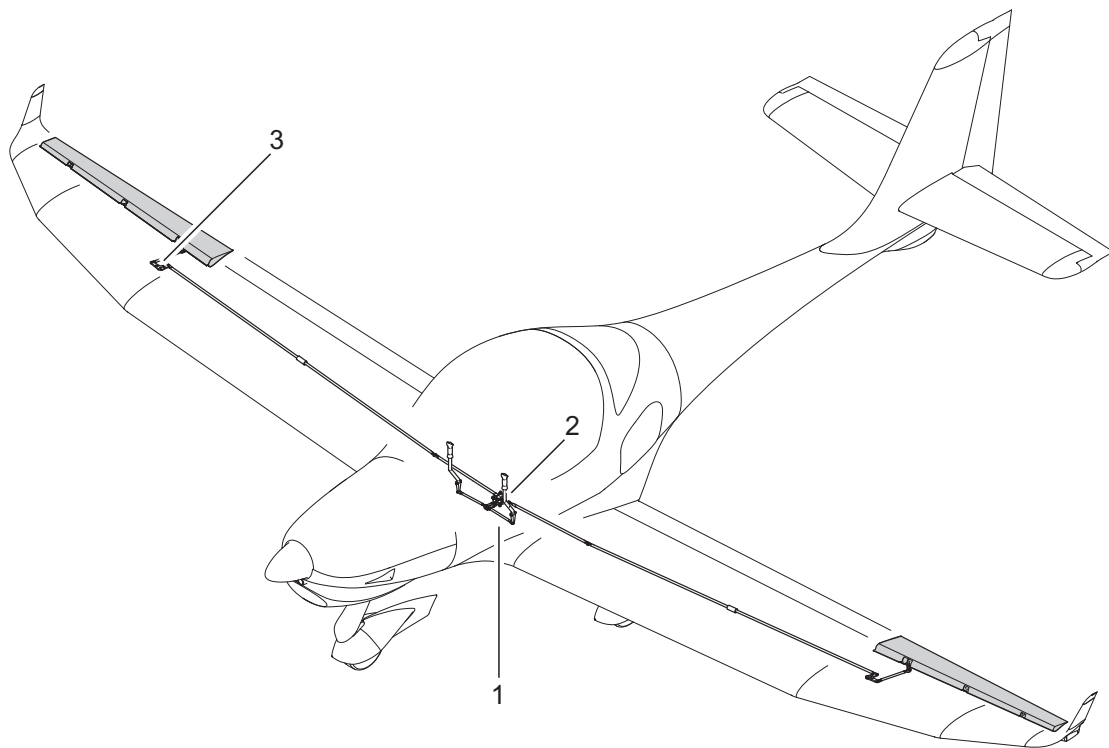
<u>Title</u> <u>Subject</u>	<u>Chapter</u> <u>Section</u> <u>Subject</u>	<u>Figure</u>	<u>Page</u>	<u>Effectivity</u>
AILERON AND TAB	27-10-00		1	
Aileron and Tab - General	27-10-00	1	2	
Aileron Control System Components - Installation	27-10-00	2	4	
Aileron Control System Components - Installation	27-10-00	3	6	
Aileron Control System Components - Installation	27-10-00	4	8	
RUDDER AND TAB	27-20-00		1	
Rudder and Tab - General	27-20-00	1	2	
Rudder Control System Components - Installation	27-20-00	2	4	
Rudder Control System Components - Installation	27-20-00	3	6	136 - 999
Rudder Control System Components - Installation	27-20-00	3A	6A	101 - 135
ELEVATOR AND TAB	27-30-00		1	
Elevator and Tab - General	27-30-00	1	2	
Elevator Control System Components - Installation	27-30-00	2	4	
ELEVATOR TRIM SYSTEM	27-31-00		1	
Elevator Trim System Components - Installation	27-31-00	1	2	124 - 999
Elevator Trim System Components - Installation	27-31-00	1A	2A	101 - 123
FLAPS	27-50-00		1	
Flaps - General	27-50-00	1	2	
Flap System Components - Installation	27-50-00	2	4	
Flap System Components - Installation	27-50-00	3	6	



Aviation by Excellence GmbH

AQUILA AT01
ILLUSTRATED PARTS CATALOG

AILERON AND TAB



Aileron and Tab - General
Figure 1



Fig. Item	QTY	Part Number	Nomenclature	Effectivity
1			Aileron and Tab - General	
	1		Aileron Control System Components - Installation, (Refer to 27-10-00, Figure 2 for Details)	
	2		Aileron Control System Components - Installation, (Refer to 27-10-00, Figure 3 for Details)	
	3		Aileron Control System Components - Installation, (Refer to 27-10-00, Figure 4 for Details)	

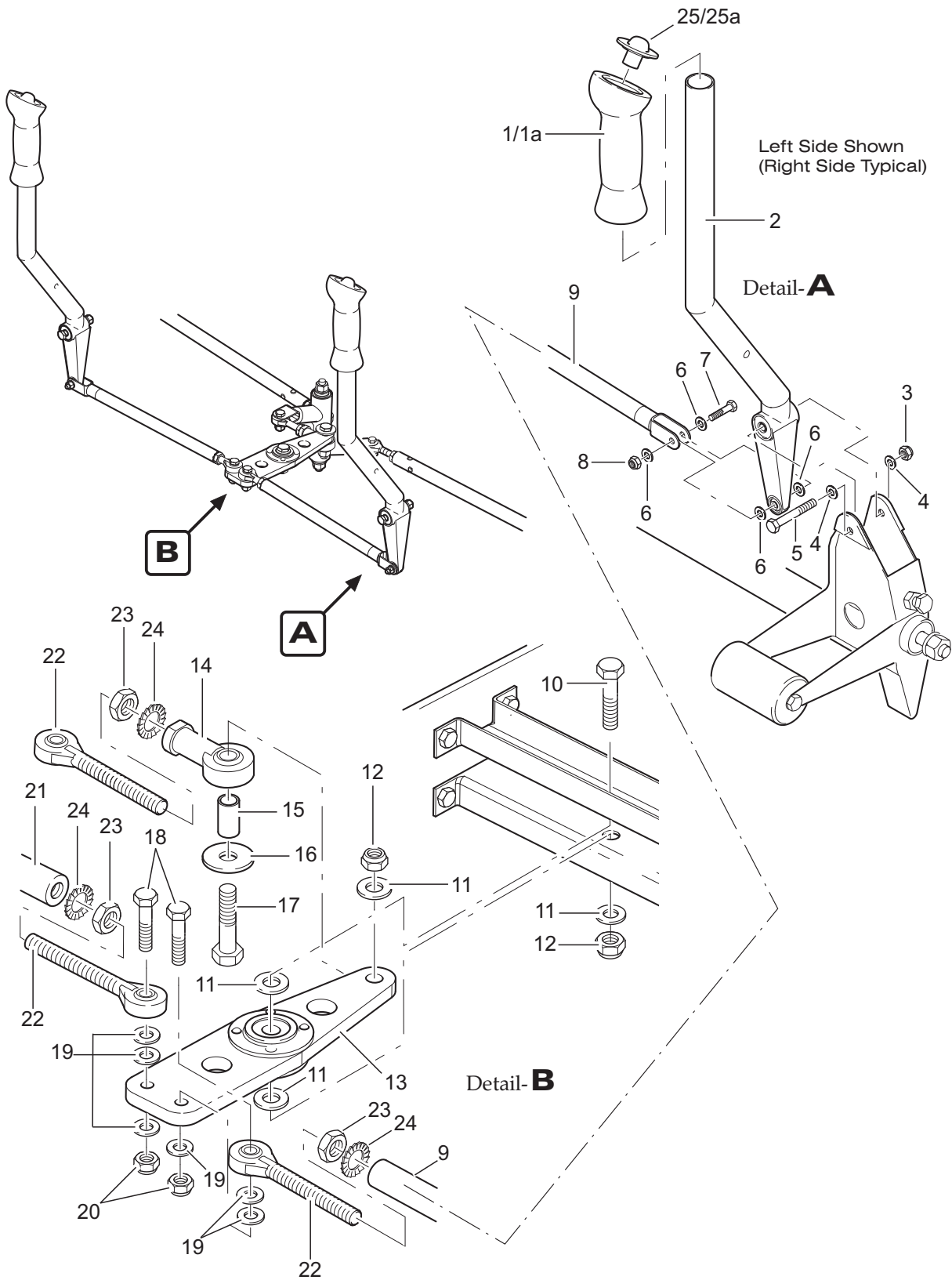
- Item not illustrated

Aileron and Tab - General
Figure 1

27-10-00

Page 3

15.02.13



Aileron Control System Components - Installation
Figure 2

Fig. Item	QTY	Part Number	Nomenclature	Effectivity
2	RF		Aileron Control System Components - Installation, (Refer to 27-10-00, Fig. 1, Item 1 for NHA)	
- 1	2	AT01-6010-017	Handle	R
1a	2	AT01-6010-024	Wooden Handle (optional)	R
2	2	AT01-6010-025	Control Stick	R
3	2	1800985_M6	Stop Nut	
4	4	1800125_6,4	Washer	R
5	2	1809037_06050	Bolt	R
6	8	1800125_5,3	Washer	
7	2	1809037-05022	Bolt	
8	2	1800985_M5	Stop Nut	
9	1	AT01-6010-021	Pushrod Left	R
- 9a	1	AT01-6010-022	Pushrod Right	R
10	1	1809037_08032	Bolt	
11	4	1800125_8,4	Washer	
12	2	1800985_M8	Stop Nut	
13	1	AT01-6010-006	Bell Crank	
14	1	AT01-1850-124	Swivel Head	
15	1	AT01-6010-121	Bushing	
16	1	1809021_8,4	Washer	
17	1	1809037_08048	Bolt	
18	2	1809037_06028	Bolt	
19	6	1800125_6,4	Washer	
20	2	1800985_M6	Stop Nut	
21	1	AT01-6010-022	Pushrod	
22	3	AT01-1850-120	Swivel Head	
23	3	1800936_M8	Nut	
24	3	1806797_8,4	Lock Washer	
- 25	2	AT01-8250-110	Push Button (part of pos. 1)	R
25a	2	AT01-8250-111	Push Button (part of pos. 1a)	R

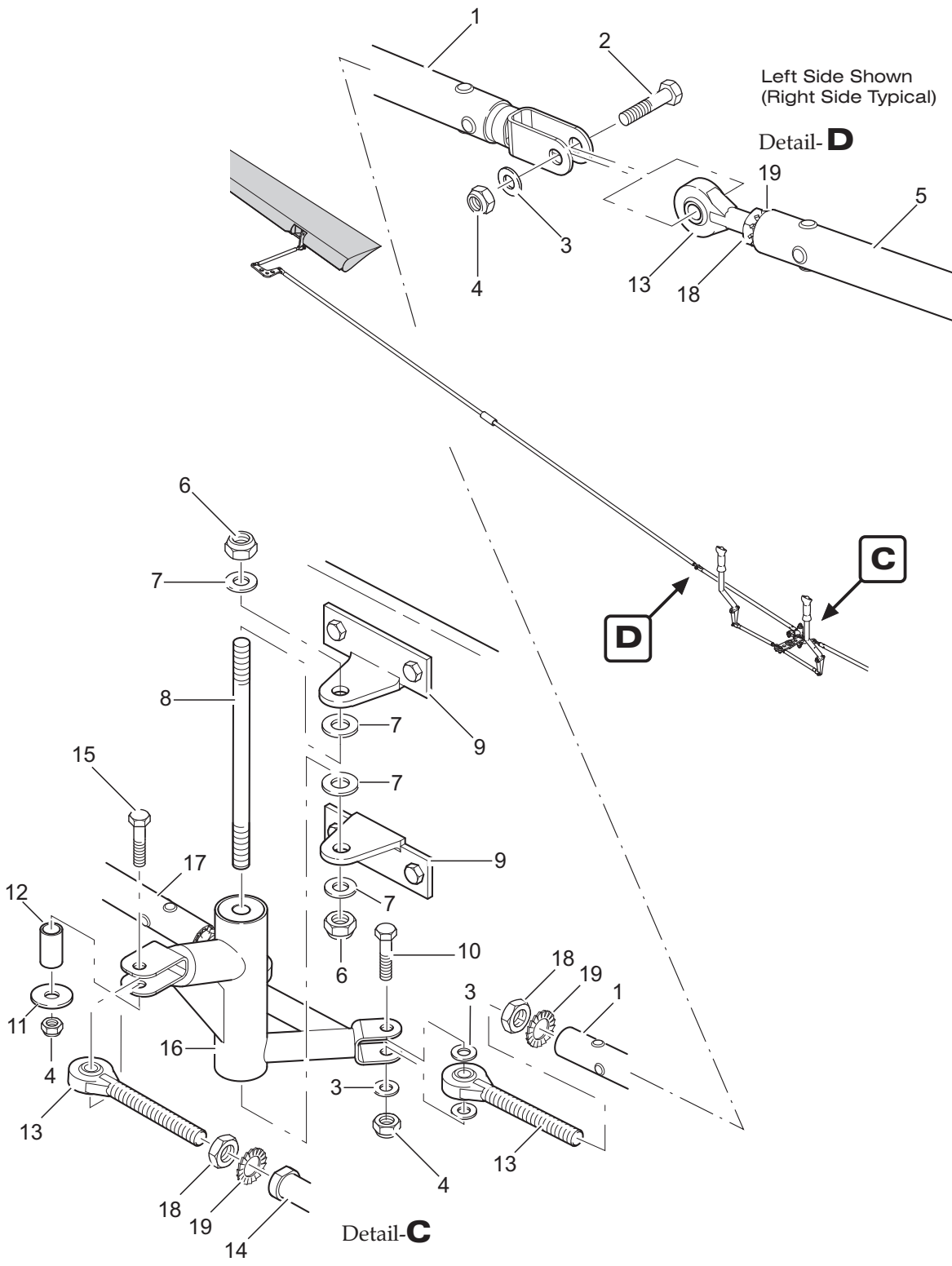
- Item not illustrated

Aileron Control System Components - Installation
Figure 2

27-10-00

Page 5

15.02.13



Aileron Control System Components - Installation
Figure 3

Fig. Item	QTY	Part Number	Nomenclature	Effectivity
3	RF		Aileron Control System Components - Installation, (Refer to 27-10-00, Fig. 1, Item 2 for NHA)	
1	1	AT01-6010-016	Pushrod Left	R
2	2	1809037_06022	Bolt	
3	4	1800125_6,4	Washer	R
4	4	1800985_M6	Stop Nut	R
5	2	AT01-6010-026	Pushrod	R
6	2	1800985_M8	Stop Nut	
7	4	1800125_8,4	Washer	
8	1	AT01-6010-117	Threaded Rod	
9	2	AT01-6010-105	Bearing Angle	
10	2	1809037_06026	Bolt	
11	1	1809021_6,4	Washer	
12	1	AT01-6010-120	Bushing	
13	5	AT01-1850-120	Swivel Head	R
14	1	AT01-1850-124	Swivel Head	R
15	1	1809037_06038	Bolt	
16	1	AT01-6010-008	Mixer Shaft	
17	1	AT01-6010-018	Pushrod Right	R
18	5	1800936_M8	Nut	
19	5	1806797_8,4	Lock Washer	

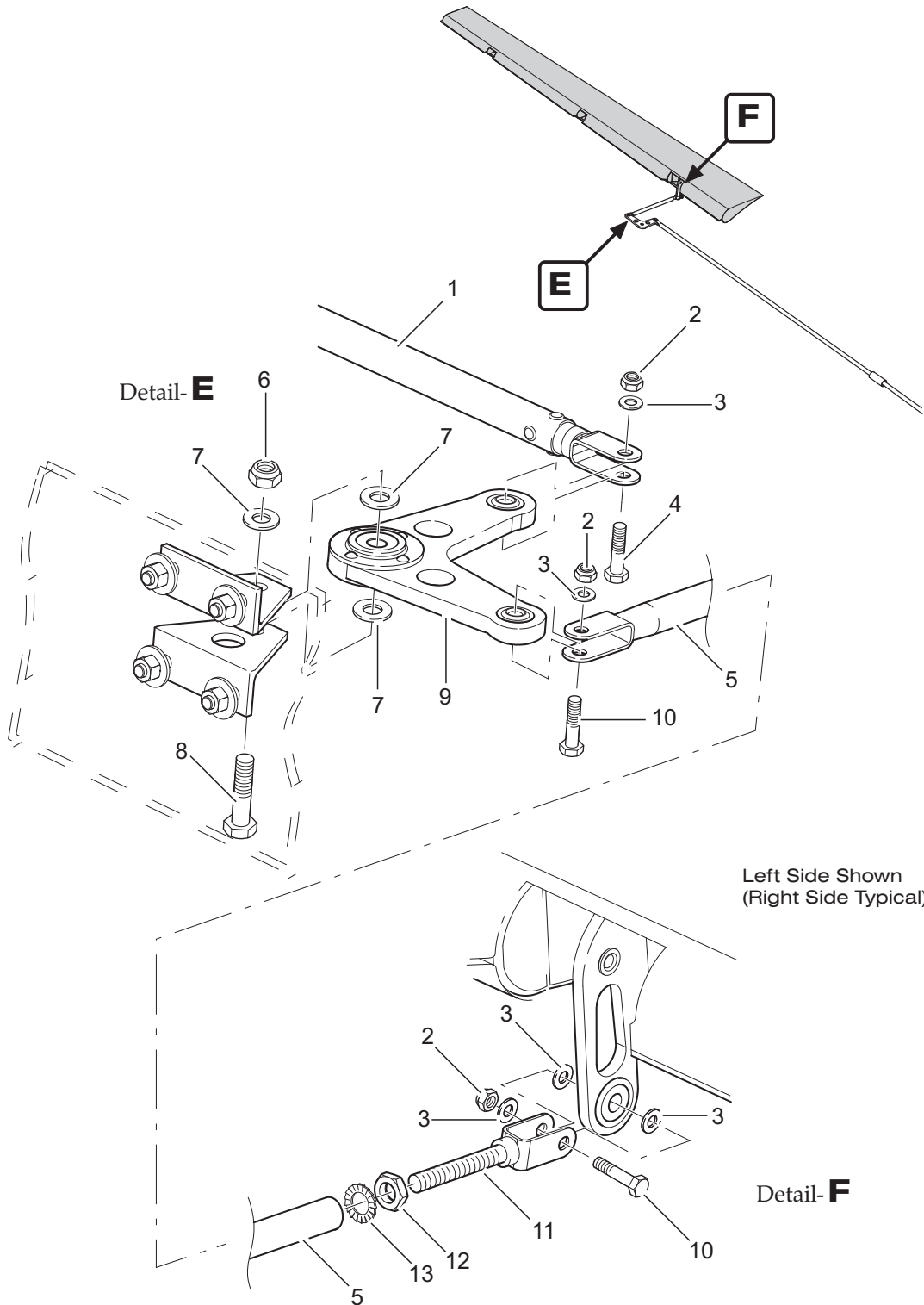
- Item not illustrated

Aileron Control System Components - Installation
Figure 3

27-10-00

Page 7

15.02.13



Left Side Shown
(Right Side Typical)

Detail-**F**

Aileron Control System Components - Installation
Figure 4



Fig. Item	QTY	Part Number	Nomenclature	Effectivity
4	RF		Aileron Control System Components - Installation, (Refer to 27-10-00, Fig. 1, Item 3 for NHA)	
1	2	AT01-6010-026	Pushrod	R
2	6	1800985_M6	Stop Nut	
3	10	1800125_6,4	Washer	
4	2	1809037_06022	Bolt	R
5	2	AT01-6010-019	Pushrod	
6	2	1800985_M8	Stop Nut	
7	6	1800125_8,4	Washer	
8	2	1809037_080378	Bolt	
9	2	AT01-6010-011	Bell Crank	
10	4	1809037_06026	Bolt	R
11	2	AT01-6010-023	Clevis	
12	2	1800936_M8	Nut	
13	2	1806797_8,4	Lock Washer	

- Item not illustrated

Aileron Control System Components - Installation
Figure 4

27-10-00

Page 9

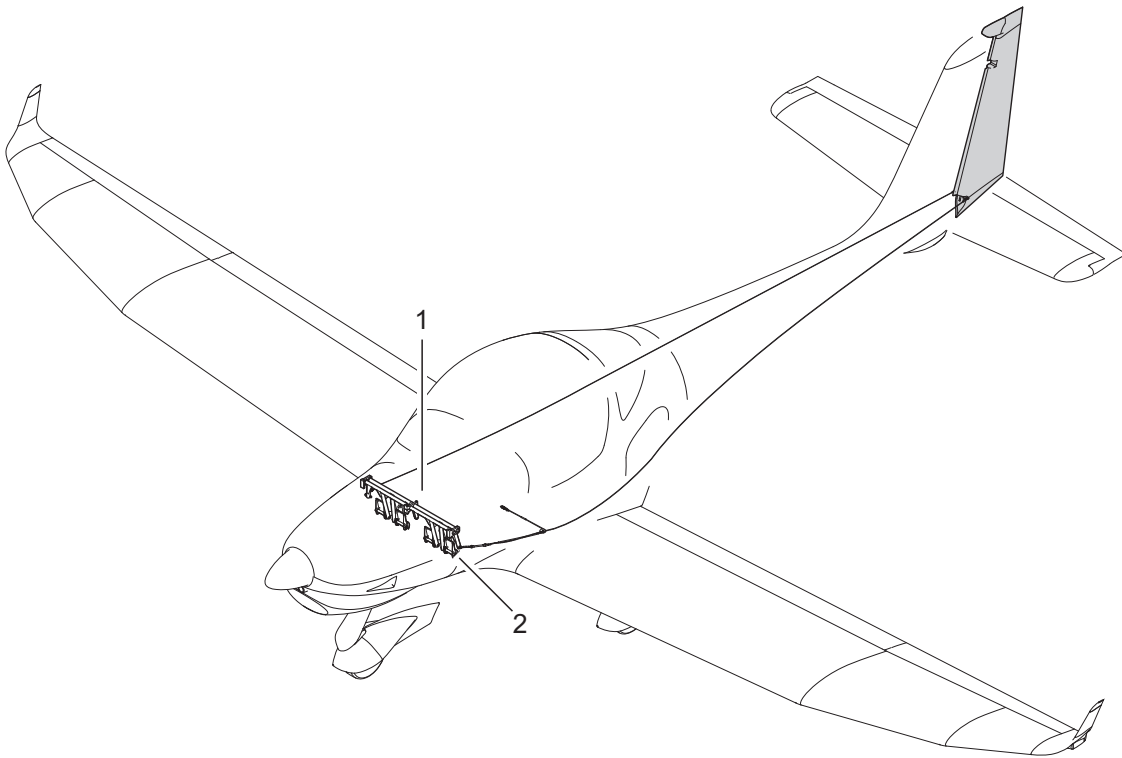
15.02.13



Aviation by Excellence GmbH

AQUILA AT01
ILLUSTRATED PARTS CATALOG

RUDDER AND TAB



Rudder and Tab - General
Figure 1



Aviation by Excellence GmbH

AQUILA AT01

ILLUSTRATED PARTS CATALOG

Fig. Item	QTY	Part Number	Nomenclature	Effectivity
1			Rudder and Tab - General	
	1		Rudder Control System Components - Installation, (Refer to 27-20-00, Figure 2 for Details)	
	2		Rudder Control System Components - Installation, (Refer to 27-20-00, Figure 3 for Details)	

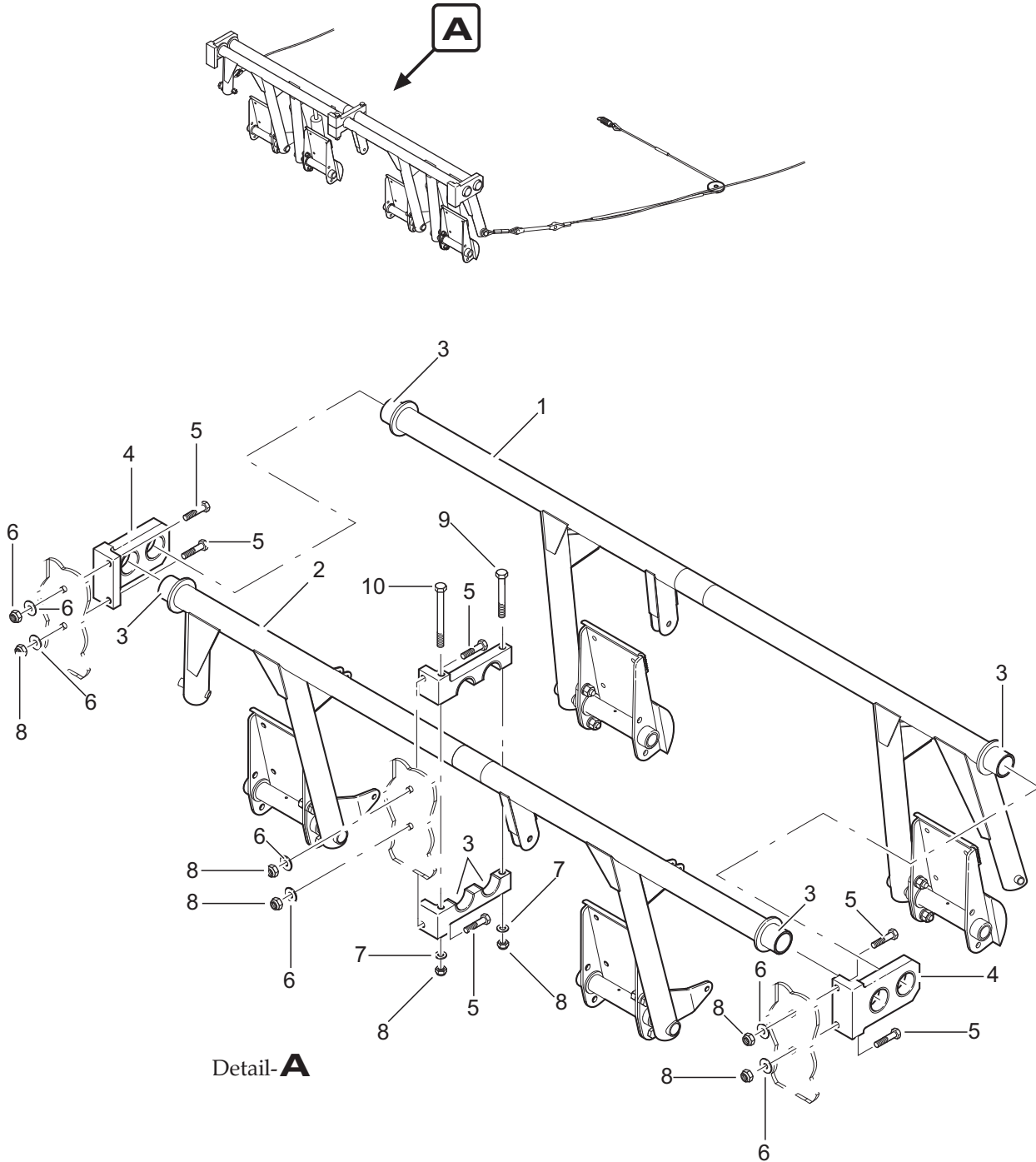
- Item not illustrated

Rudder and Tab - General
Figure 1

27-20-00

Page 3

15.02.13



Rudder Control System Components - Installation
Figure 2



Fig. Item	QTY	Part Number	Nomenclature	Effectivity
2	RF		Rudder Control System Components - Installation, (Refer to 27-20-00, Fig. 1, Item 1 for NHA)	
1	1	AT01-6040-002	Rudder Control Axle Left	
2	1	AT01-6040-003	Rudder Control Axle Right	
3	6	AT01-1850019	Bushing Permaglide	
4	2	AT01-6040-101	Bracket	
5	6	1800931_M6x30	Bolt	
6	6	1809021_6,4	Washer	
7	2	1800125_6,4	Washer	
8	8	1800985_M6	Stop Nut	
9	1	1800931_M6x50	Bolt	
10	1	1800931_M6x70	Bolt	

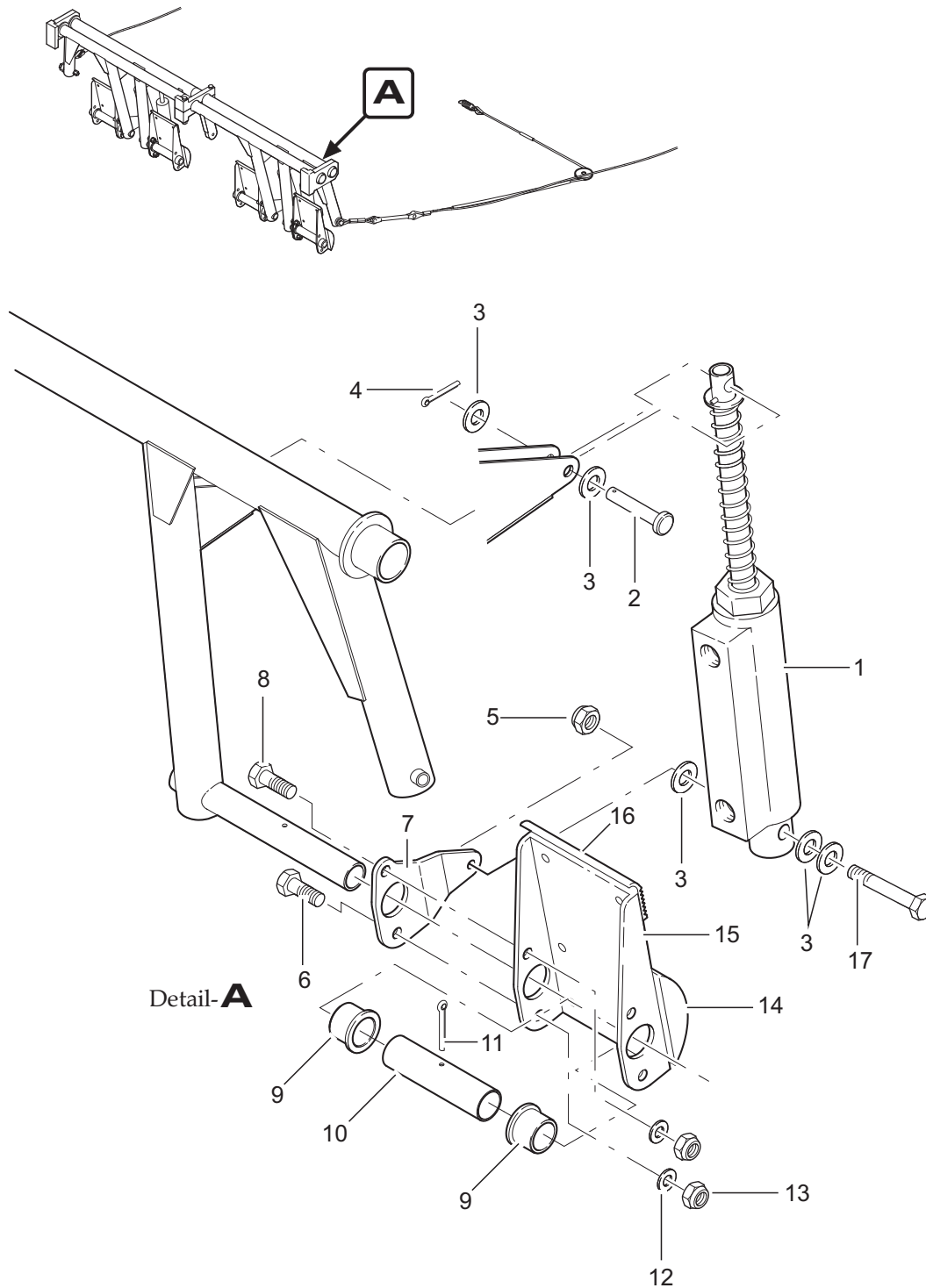
- Item not illustrated

Rudder Control System Components - Installation
Figure 2

27-20-00

Page 5

15.02.13



EFFECTIVITY

Aircraft equipped with Cleveland brake cylinders

Rudder Control System Components - Installation
Figure 3

27-20-00

Fig. Item	QTY	Part Number	Nomenclature	Effectivity
3	RF		Rudder Control System Components - Installation, (Refer to 27-20-00, Fig. 1, Item 2 for NHA)	
1	4	AT01-6040-106	Master Cylinder (Cleveland)	
2	4	1801434_5x18	Bolt with Split Pin Hole	101 - 135 R
2	4	1801434_5x16	Bolt with Split Pin Hole	136 - 170 R
2	4	1801434_5x18	Bolt with Split Pin Hole	171 - 999 R
3	20	1800125_5,3	Washer	
4	4	1800094_1,6x10	Split Pin 1,6x10	
5	4	1800980_M5	Stop Nut	
6	8	1800933_M6x16	Bolt	
7	2	AT01-6040-133	Pedal Lever Left	
- 8	2	AT01-6040-134	Pedal Lever Right	
9	8	AT01-6040-104	Bronze Bushing	R
10	4	AT01-6040-103	Distance Sleeve	
11	4	1800094_2,5x28	Split Pin 2,5x28	
12	8	1800125_6,4	Washer	R
13	8	1800985_M6	Stop Nut	R
14	4	AT01-6040-142	Step Ledge Rudder	
15	4	AT01-6040-132	Blank Pedal Body	
16	4	AT01-6040-130	Step Ledge Break	
17	4	1809037_05030	Bolt	

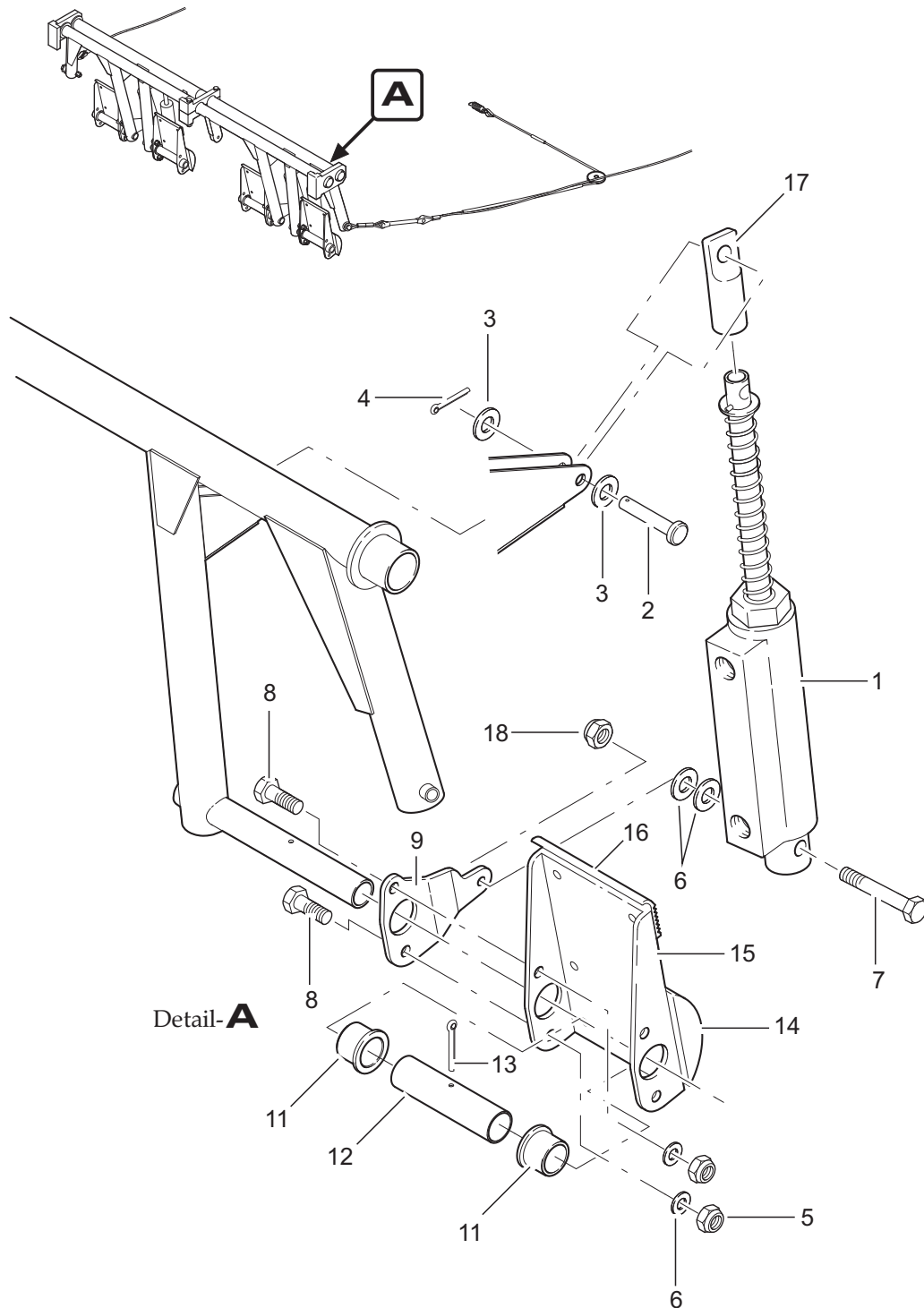
- Item not illustrated

Aileron Control System Components - Installation
Figure 3

27-20-00

Page 7

15.02.13



EFFECTIVITY

Aircraft equipped with Matco brake cylinders

Rudder Control System Components - Installation
Figure 3A

27-20-00



Fig. Item	QTY	Part Number	Nomenclature	Effectivity	
3A	RF		Rudder Control System Components - Installation, (Refer to 27-20-00, Fig. 1, Item 2 for NHA)		
1	4	AT01-6040-138	Master Cylinder (Matco)		
2	4	1801434_5x16	Bolt with Split Pin Hole	136 - 170	R
2	4	1801434_5x18	Bolt with Split Pin Hole	171 - 999	R
3	8	1800125_5,3	Washer		
4	4	1800094_1,6x10	Split Pin 1,6x10		
5	8	1800985_M6	Stop Nut		R
6	16	1800985_6,4	Washer		
7	4	1809037_M6x26	Bolt		R
8	8	1800933_M6x16	Bolt		
9	2	AT01-6040-136	Pedal Lever Left		
- 10	2	AT01-6040-137	Pedal Lever Right		
11	8	AT01-6040-104	Bronze Bushing		R
12	4	AT01-6040-103	Distance Sleeve		
13	4	1800094_2,5x28	Split Pin 2,5x28		
14	4	AT01-6040-142	Step Ledge Rudder		
15	4	AT01-6040-132	Blank Pedal Body		
16	4	AT01-6040-130	Step Ledge Break		
17	4	AT01-6040-135	Adapter		
18	4	1800980_M6	Stop Nut		R

- Item not illustrated

Rudder Control System Components - Installation
Figure 3A

27-20-00

Page 7A

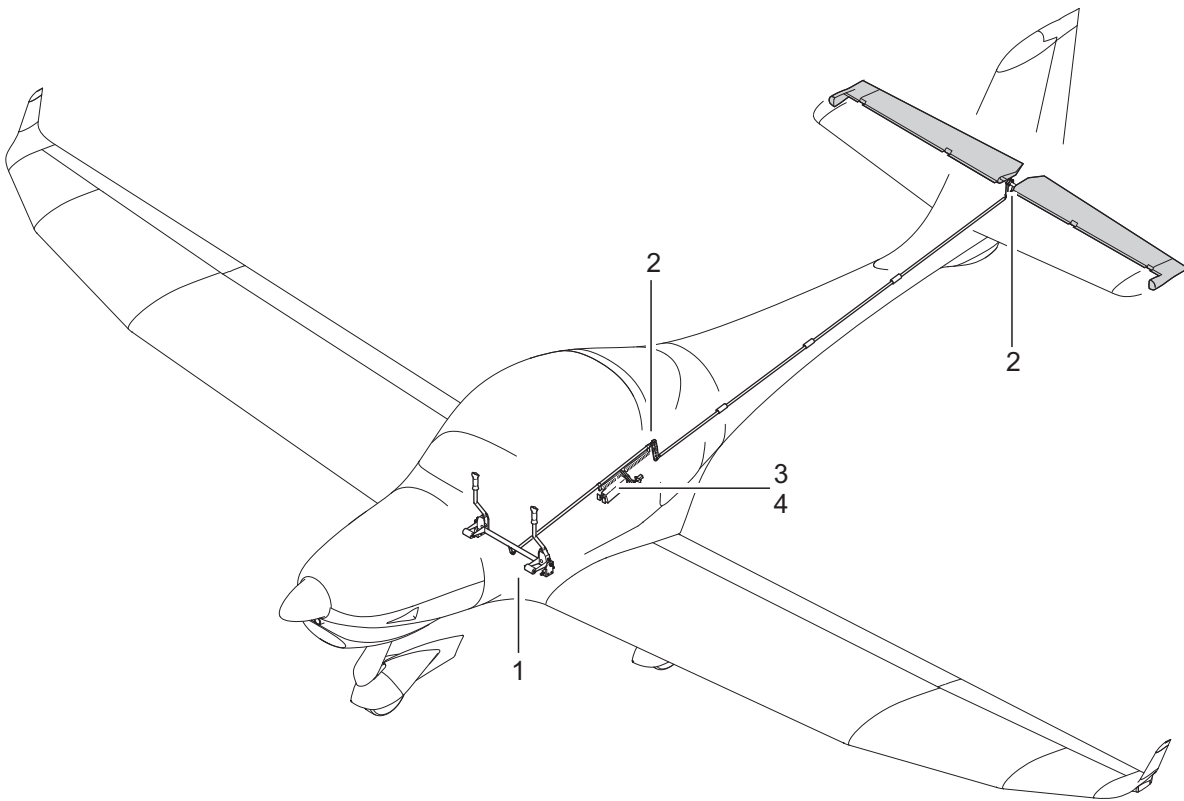
15.02.13



Aviation by Excellence GmbH

AQUILA AT01
ILLUSTRATED PARTS CATALOG

ELEVATOR AND TAB



Elevator and Tab - General
Figure 1



Fig. Item	QTY	Part Number	Nomenclature	Effectivity
1			Elevator and Tab - General	
	1		Elevator Control System Components - Installation, (Refer to 27-30-00, Figure 2 for Details)	
	2		Elevator Control System Components - Installation, (Refer to 27-30-00, Figure 3 for Details)	
	3		Elevator Trim System Components - Installation, (Refer to 27-31-00, Figure 1 for Details)	101 - 123
	4		Elevator Trim System Components - Installation, (Refer to 27-31-00, Figure 2 for Details)	124 - 999

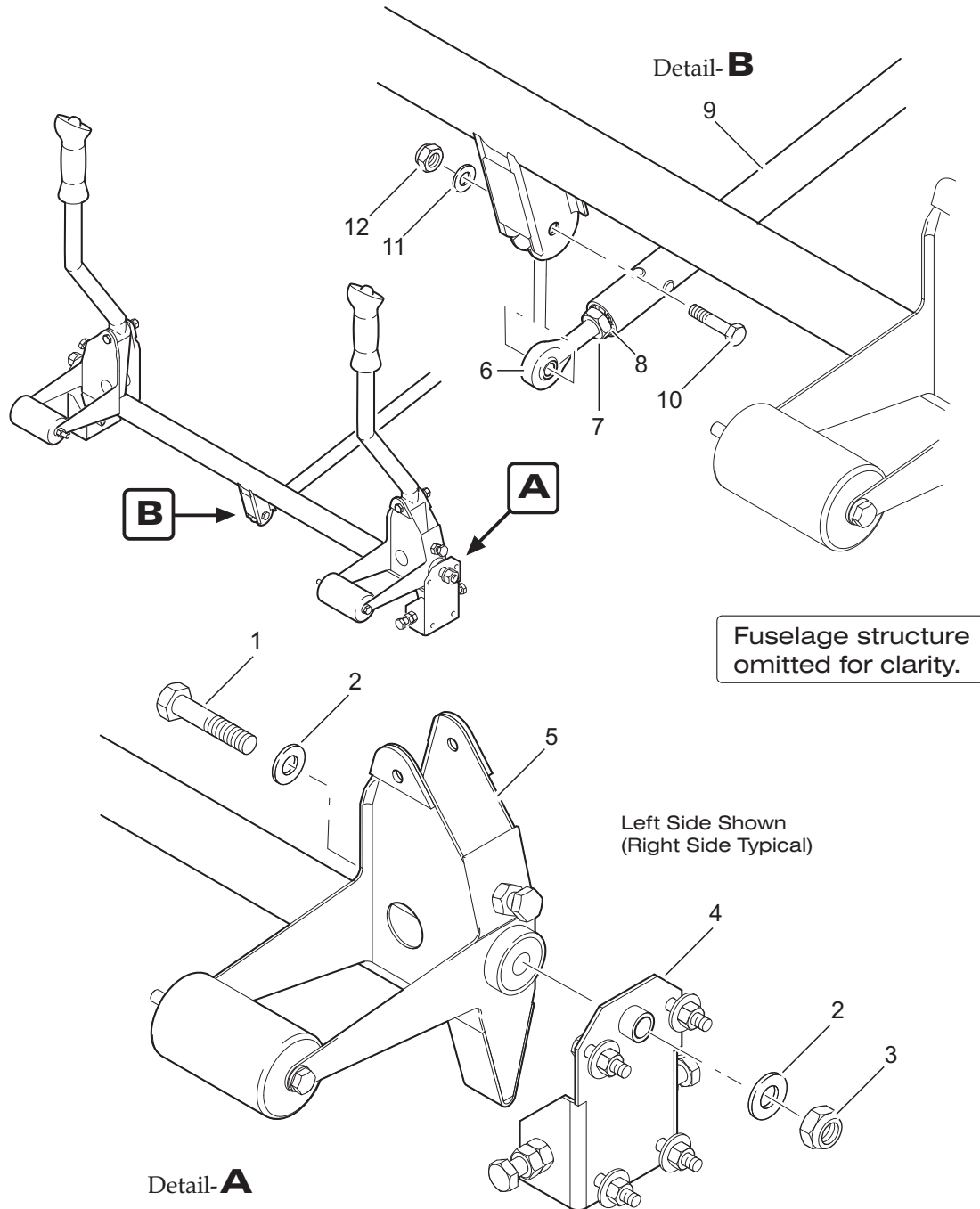
- Item not illustrated

Elevator and Tab - General
Figure 1

27-30-00

Page 3

15.02.13



Elevator Control System Components - Installation
Figure 2



Fig. Item	QTY	Part Number	Nomenclature	Effectivity
2	RF		Elevator Control System Components - Installation, (Refer to 27-30-00, Fig. 1, Item 1 for NHA)	
1	2	1809037_10040	Bolt	
2	2	1800125_10,5	Washer	
3	2	1800985_M10	Stop Nut	
4	2	AT01-6030-109	Mounting for Coupling Shaft	
5	2	AT01-6030-003	Stick Control Coupling Shaft (Rudder)	
6	4	AT01-1850-120	Swivel Head	
7	2	1800936_M8	Nut	R
8	2	1806797_8,4	Lock Washer	
9	1	AT01-6030-011	Pushrod	R
10	1	1809037_06022	Bolt	
11	1	1800125_6,4	Washer	
12	1	1800985_M6	Stop Nut	

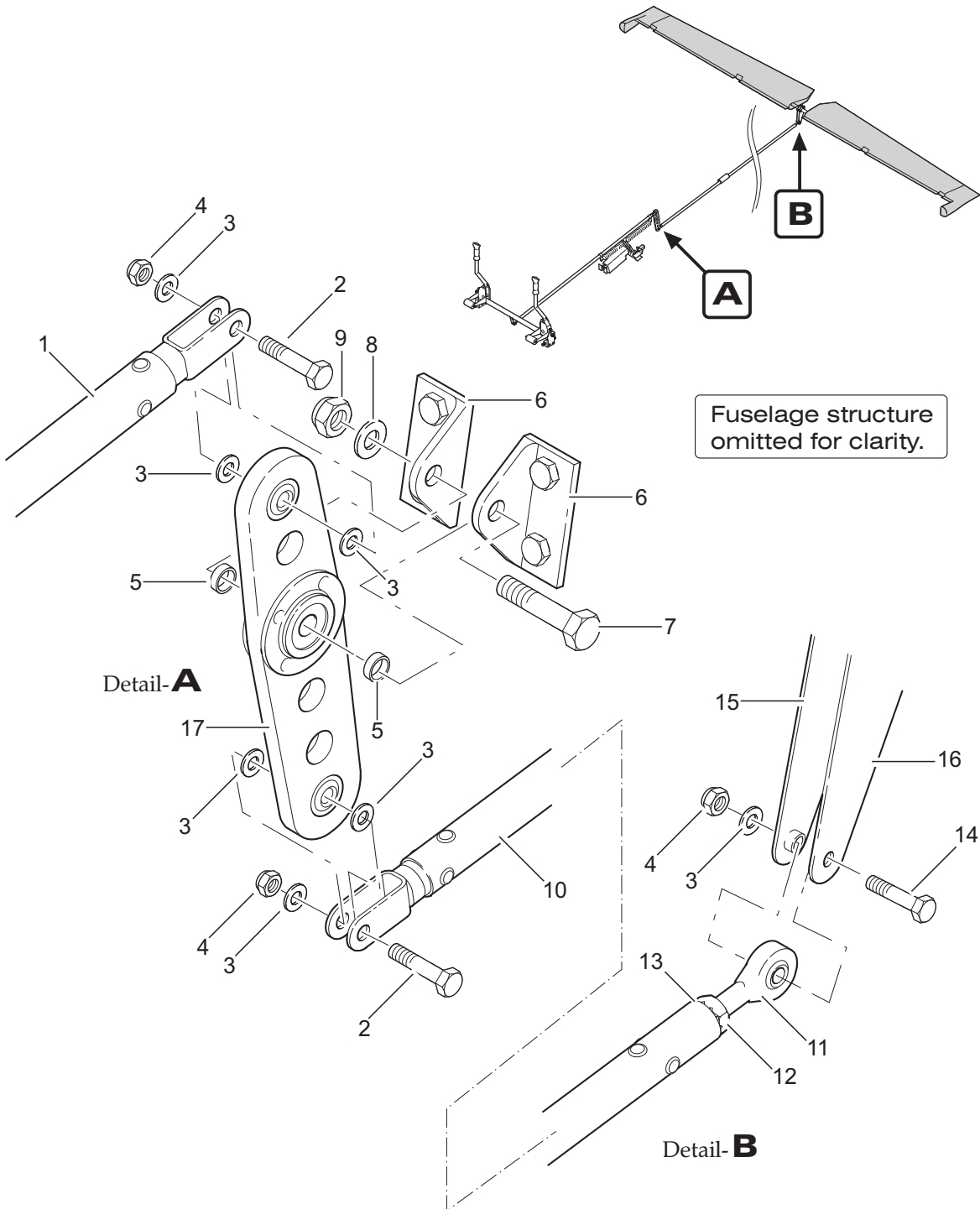
- Item not illustrated

Elevator Control System Components - Installation
Figure 2

27-30-00

Page 5

15.02.13



Elevator Control System Components - Installation
Figure 3



Aviation by Excellence GmbH

AQUILA AT01

ILLUSTRATED PARTS CATALOG

Fig. Item	QTY	Part Number	Nomenclature	Effectivity
3	RF		Elevator Control System Components - Installation, (Refer to 27-30-00, Fig. 1, Item 2 for NHA)	
1	1	AT01-6030-009	Pushrod	
2	2	1809037_06022	Bolt	
3	7	1800125_6,4	Washer	R
4	3	1800985_M6	Stop Nut	R
5	2	AT01-4510-110	Distance Ring	
6	2	AT01-4510-128	Mounting Angle	
7	1	1809037_08040	Bolt	
8	1	1800125_8,4	Washer	
9	1	1800985_M8	Stop Nut	
10	1	AT01-6030-007	Pushrod	
11	1	AT01-1850-120	Swivel Head	
12	1	1800936_M8	Nut	
13	1	1806797_8,4	Lock Washer	
14	1	1809037_06030	Bolt	
15	1	AT01-3130-002	Elevator Lever Right	
16	1	AT01-3130-001	Elevator Lever Left	
17	1	AT01-6030-005	Bellcrank	

- Item not illustrated

Elevator Control System Components - Installation
Figure 3

27-30-00

Page 7

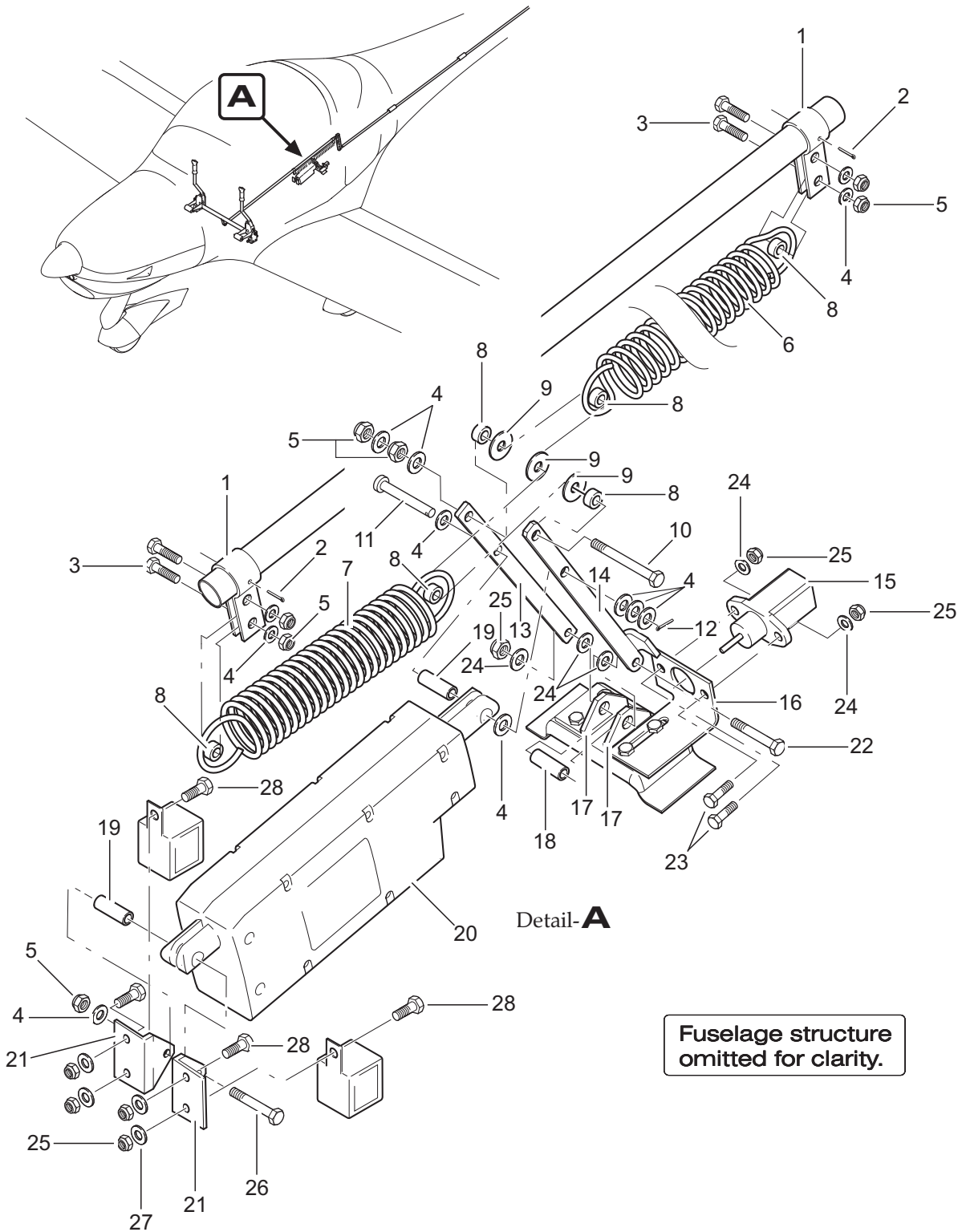
15.02.13



Aviation by Excellence GmbH

AQUILA AT01
ILLUSTRATED PARTS CATALOG

ELEVATOR TRIM SYSTEM



Detail-**A**

Fuselage structure omitted for clarity.

Fig. Item	QTY	Part Number	Nomenclature	Effectivity
1	RF		Elevator Trim System Components - Installation, (Refer to 27-30-00, Fig. 1, Item 4 for NHA)	124 - 999
	2	AT01-6050-117	Clamp	
	2	1800094_2x40	Split Pin	
	4	1800933_M6x20	Bolt	R
	10	1800125_6,4	Washer	R
	7	1800985_M6	Stop Nut	R
	1	AT01-6050-110	Spring RWD	
	1	AT01-6050-111	Spring FWD	
	6	AT01-4510-122	Ring	
	3	1809021_6,4	Washer	
	1	1800931_M6x50	Bolt	
	1	1801444_6x40	Bolt with Split Pin Hole	
	1	1800094_1,6x16	Split Pin	R
	1	AT01-6050-103	Arm Right	
	1	AT01-6050-104	Arm Left	
	1	AT01-6050-131	Trim Position Sensor	
	1	AT01-6050-127	Sensor Bracket	
	2	AT01-6050-106	Bearing Angle	
	1	AT01-6050-121	Front Sleeve	
	2	AT01-6050-122	Back Sleeve	R
	1	AT01-6050-105	Trim Actuator	
	2	AT01-6050-107	Bracket	
	1	1800931_M5x40	Bolt	R
	6	1800933_M5x16	Bolt	R
	5	1800125_5,3	Washer	R
	7	1800985_M5	Stop Nut	R
	1	1800931_M6x45	Bolt	R
	4	1809021_5,3	Washer	
	4	1800933_M5x20	Bolt	

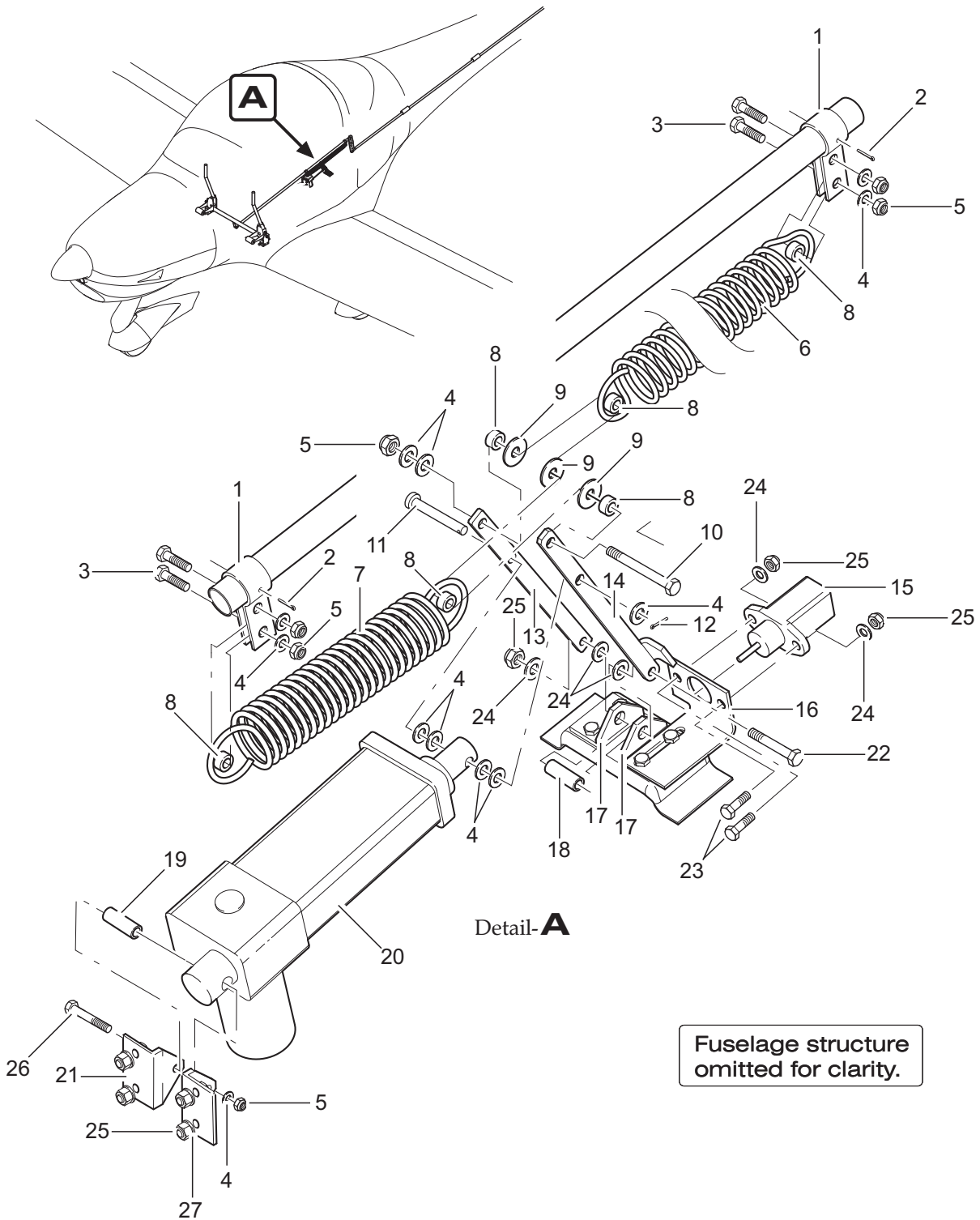
- Item not illustrated

Elevator Trim System Components - Installation
Figure 1

27-31-00

Page 3

15.02.13



Detail-**A**

Fuselage structure omitted for clarity.



Fig. Item	QTY	Part Number	Nomenclature	Effectivity
1A	RF		Elevator Trim System Components - Installation, (Refer to 27-30-00, Fig. 1, Item 3 for NHA)	101 - 123
1	2	AT01-6050-117	Clamp	
2	2	1800094_2x40	Split Pin	
3	4	1800933_M6x25	Bolt	
4	12	1800125_6,4	Washer	
5	5	1800985_M6	Stop Nut	R
6	1	AT01-6050-110	Spring RWD	
7	1	AT01-6050-111	Spring FWD	
8	6	AT01-4510-122	Ring	
9	3	1809021_6,4	Washer	
10	1	1800931_M6x50	Bolt	
11	1	1801444_6x40	Bolt with Split Pin Hole	
12	1	1800094_2x18	Split Pin	
13	1	AT01-6050-103	Arm Right	
14	1	AT01-6050-104	Arm Left	
15	1	AT01-6050-131	Trim Position Sensor	
16	1	AT01-6050-127	Sensor Bracket	
17	2	AT01-6050-106	Bearing Angle	
18	1	AT01-6050-121	Front Sleeve	
19	1	AT01-6050-122	Back Sleeve	
20	1	AT01-6050-105	Trim Actuator	
21	2	AT01-6050-107	Bracket	
22	1	1800931_M5x45	Bolt	
23	2	1800933_M5x16	Bolt	
24	2	1800125_5,3	Washer	
25	2	1800985_M5	Stop Nut	
26	1	1800933_M6x45	Bolt	
27	4	1809021_5,3	Washer	

- Item not illustrated

Elevator Trim System Components - Installation
Figure 1A

27-31-00

Page 3A

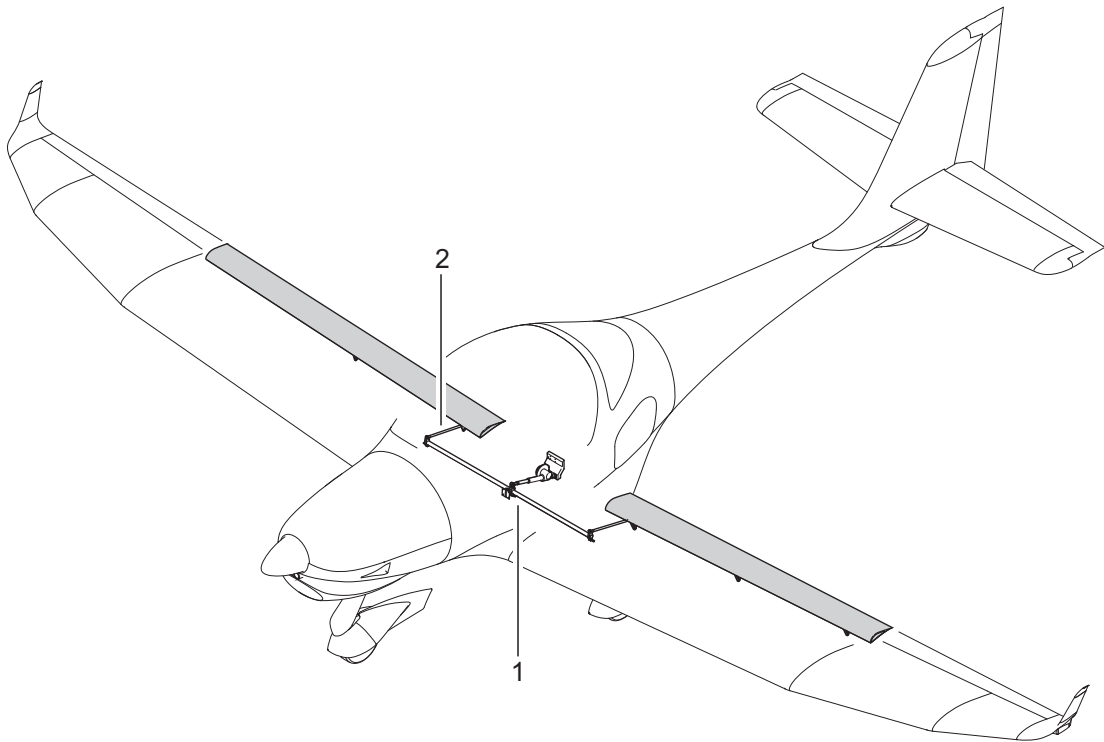
15.02.13



Aviation by Excellence GmbH

AQUILA AT01 ILLUSTRATED PARTS CATALOG

FLAPS



Flaps - General
Figure 1



Fig. Item	QTY	Part Number	Nomenclature	Effectivity
1			Flaps - General	
	1		Flap System Components - Installation, (Refer to 27-50-00, Figure 2 for Details)	
	2		Flap System Components - Installation, (Refer to 27-50-00, Figure 3 for Details)	

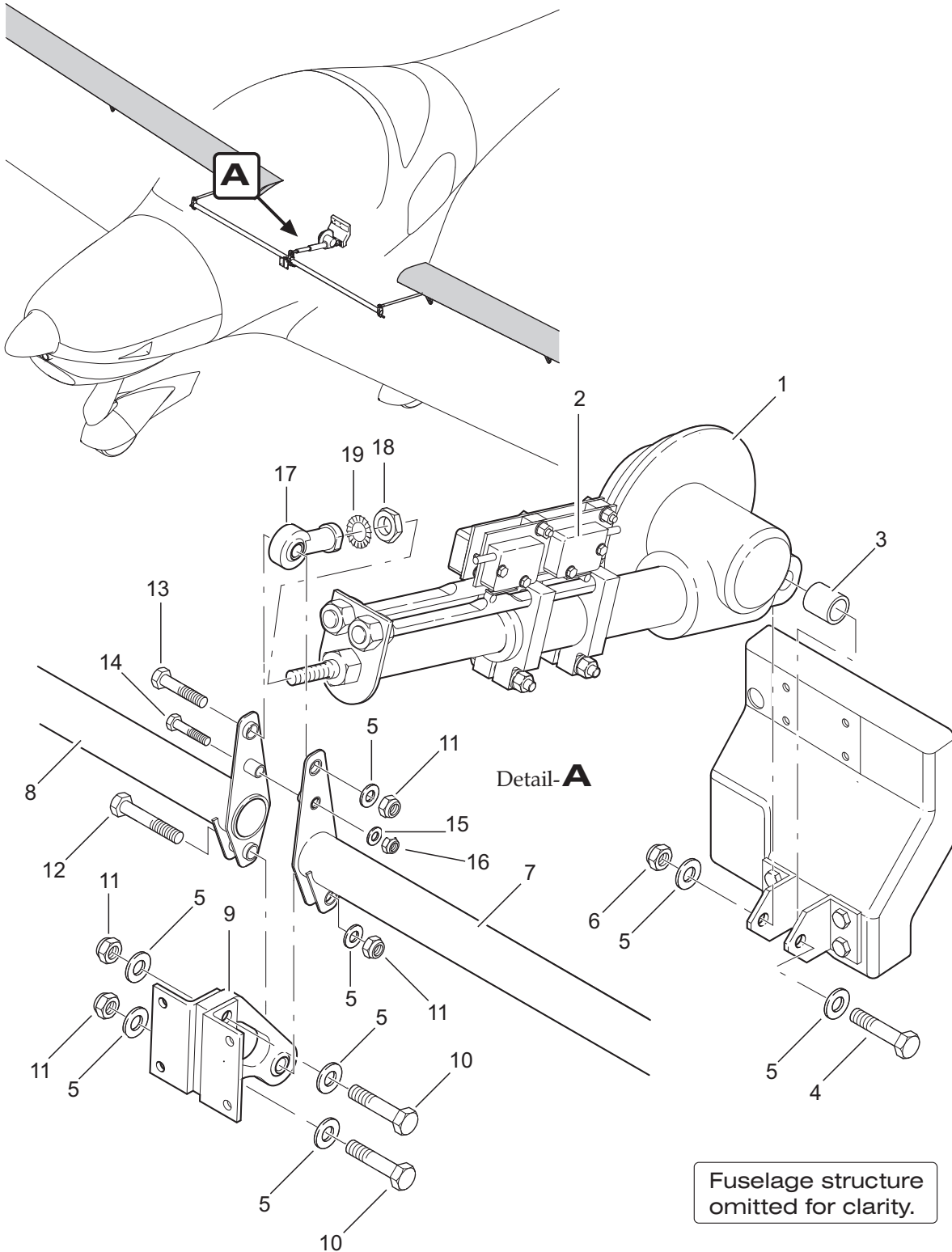
- Item not illustrated

Flaps - General
Figure 1

27-50-00

Page 3

15.02.13



Flap System Components - Installation
Figure 2

Fig. Item	QTY	Part Number	Nomenclature	Effectivity
2	RF		Flap System Components - Installation, (Refer to 27-50-00, Fig. 1, Item 1 for NHA)	
1	1	AT01-6020-006	Flap Control Actuator Assembly	
2	4	AT01-6020-113	Position Micro Switch	
3	1	AT01-6020-100	Sleeve	
4	1	1809037_08048	Bolt	
5	8	1800125_8,4	Washer	R
6	1	1800985_M8	Stop Nut	
7	1	AT01-6020-002	Flap Drive Coupling Shaft Left	
8	1	AT01-6020-003	Flap Drive Coupling Shaft Right	
9	1	AT01-6020-104	Mounting	
10	2	1809037_08032	Bolt	
11	4	1800985_M8	Stop Nut	R
12	1	1809037_08060	Bolt	R
13	1	1809037_08032	Bolt	101 - 220 R
13	1	1809037_08035	Bolt	221 - 999 R
14	1	1809037_06035	Bolt	R
15	1	1800125_6,4	Washer	R
16	1	1800985_M6	Stop Nut	R
17	1	AT01-1850-124	Swivel Head	R
18	1	1800936_M8	Nut	R
19	1	1806797_8,4	Lock Washer	R

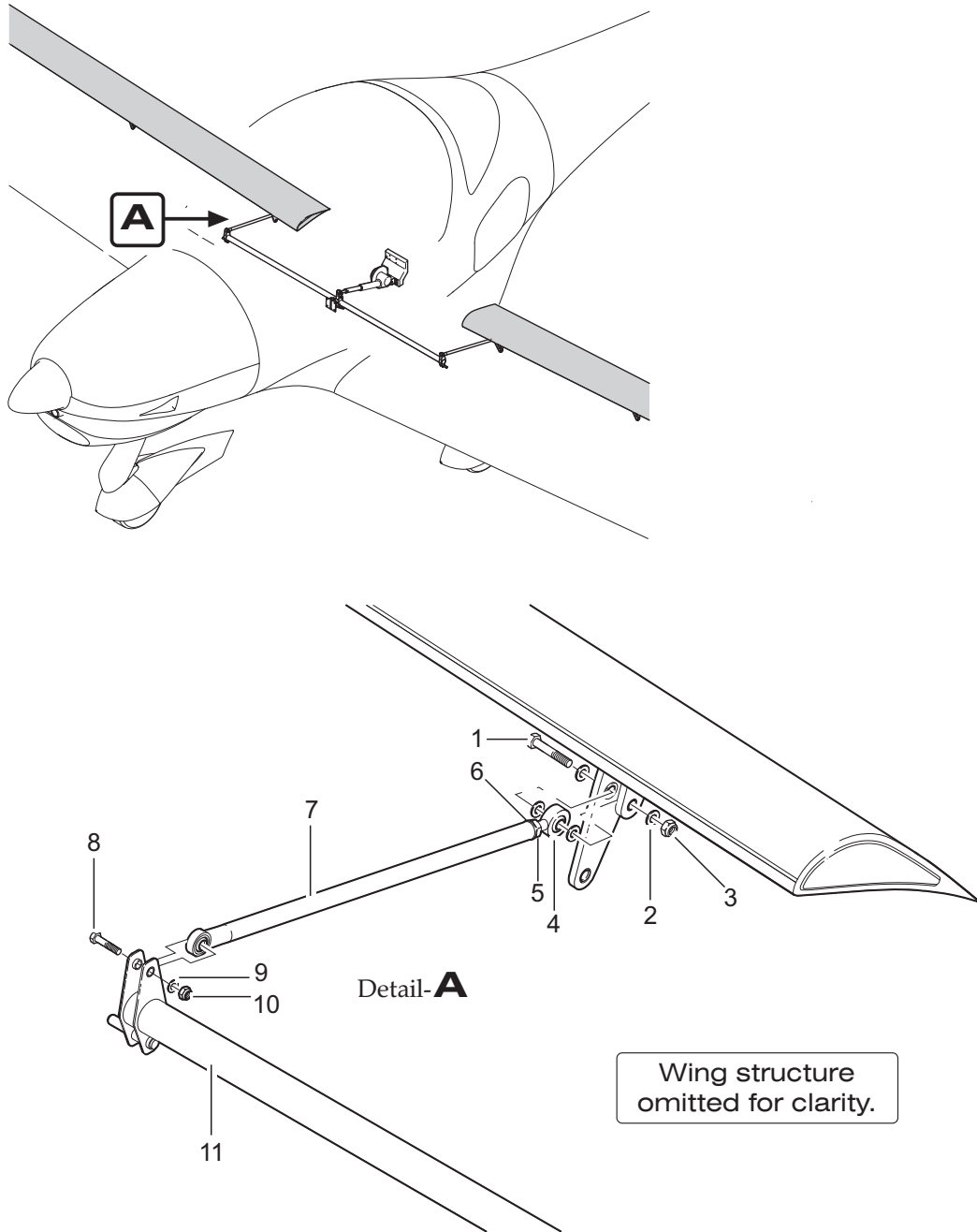
- Item not illustrated

Flap System Components - Installation
Figure 2

27-50-00

Page 5

15.02.13



Flap System Components - Installation
Figure 3



Fig. Item	QTY	Part Number	Nomenclature	Effectivity
3	RF		Flap System Components - Installation, (Refer to 27-50-00, Fig. 1, Item 2 for NHA)	
1	2	1809037_08045	Bolt	
2	8	1800125_8,4	Washer	
3	2	1800985_M8	Stop Nut	
4	2	AT01-1850-123	Swivel Head	
5	2	1800936_M8	Nut	
6	2	1806797_8,4	Lock Washer	
7	2	AT01-6020-010	Push Rod	
8	2	1809037_06028	Bolt	
9	2	1800125_6,4	Washer	
10	2	1800985_M6	Stop Nut	
11	1	AT01-6020-003	Flap Drive Coupling Shaft Right	
-12	1	AT01-6020-002	Flap Drive Coupling Shaft Left	

- Item not illustrated

Flap System Components - Installation
Figure 3

27-50-00

Page 7

15.02.13



AQUILA AT01
ILLUSTRATED PARTS CATALOG

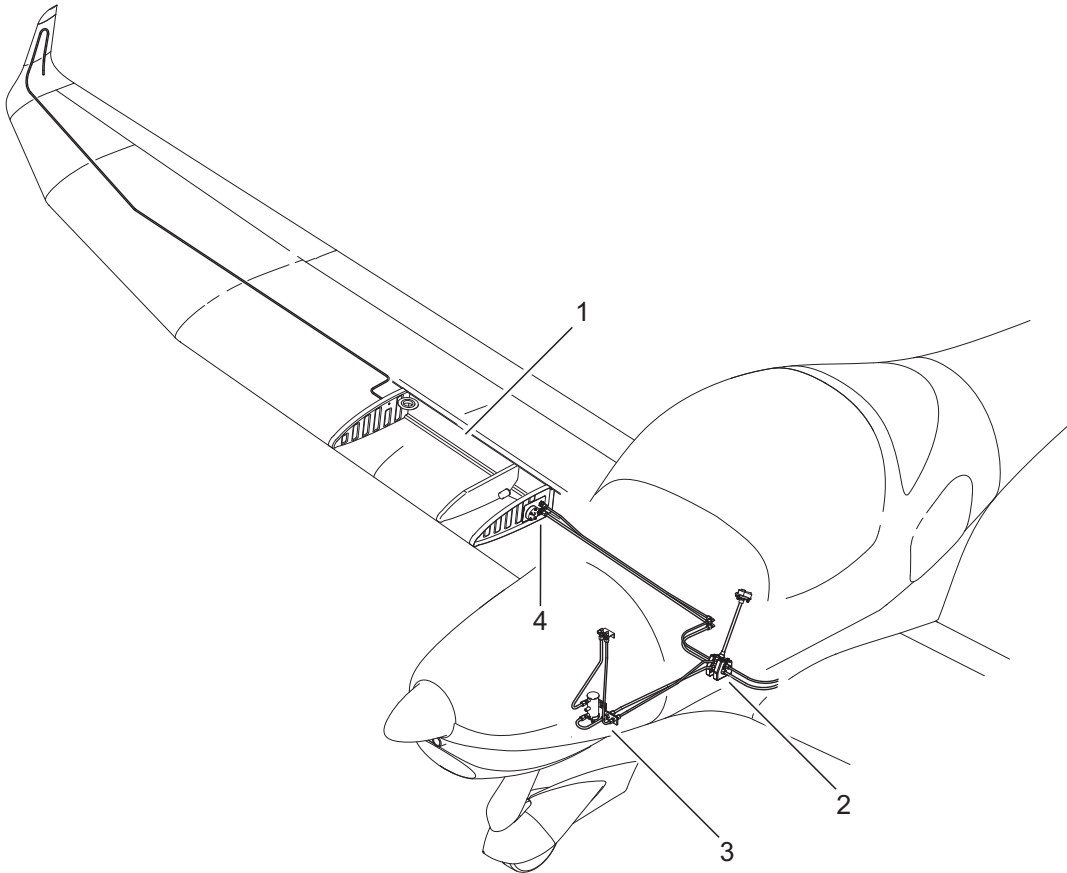
CHAPTER 28

FUEL

TABLE OF CONTENTS

<u>Title</u> <u>Subject</u>	<u>Chapter</u> <u>Section</u> <u>Subject</u>	<u>Page</u>	<u>Effectivity</u>
FUEL - GENERAL	28-00-00	1	
Fuel - General	28-00-00	2	
Fuel System - Wings	28-00-00	4	
Fuel System - Fuselage	28-00-00	6	
Fuel System - Engine Compartment	28-00-00	8	
Fuel Quantity / Pressure Indication	28-00-00	12A	251 - 299
Fuel Quantity / Pressure Indication	28-00-00	12B	101 - 250

FUEL
GENERAL



NOTE: Only RH side of system is shown for clarity !

Fig. Item	QTY	Part Number	Nomenclature	Effectivity
1			Fuel - General	
1			Fuel System - Wings (refer to 28-00-00, figure 2 for details)	
2			Fuel System - Fuselage (refer to 28-00-00, figure 3 for details)	
3			Fuel System - Engine Compartment (refer to 28-00-00, figure 4 for details)	
4			Fuel Quantity / Pressure Indication (refer to 28-00-00, figure 5A for details)	251 - 299
4			Fuel Quantity / Pressure Indication (refer to 28-00-00, figure 5B for details)	101 - 250

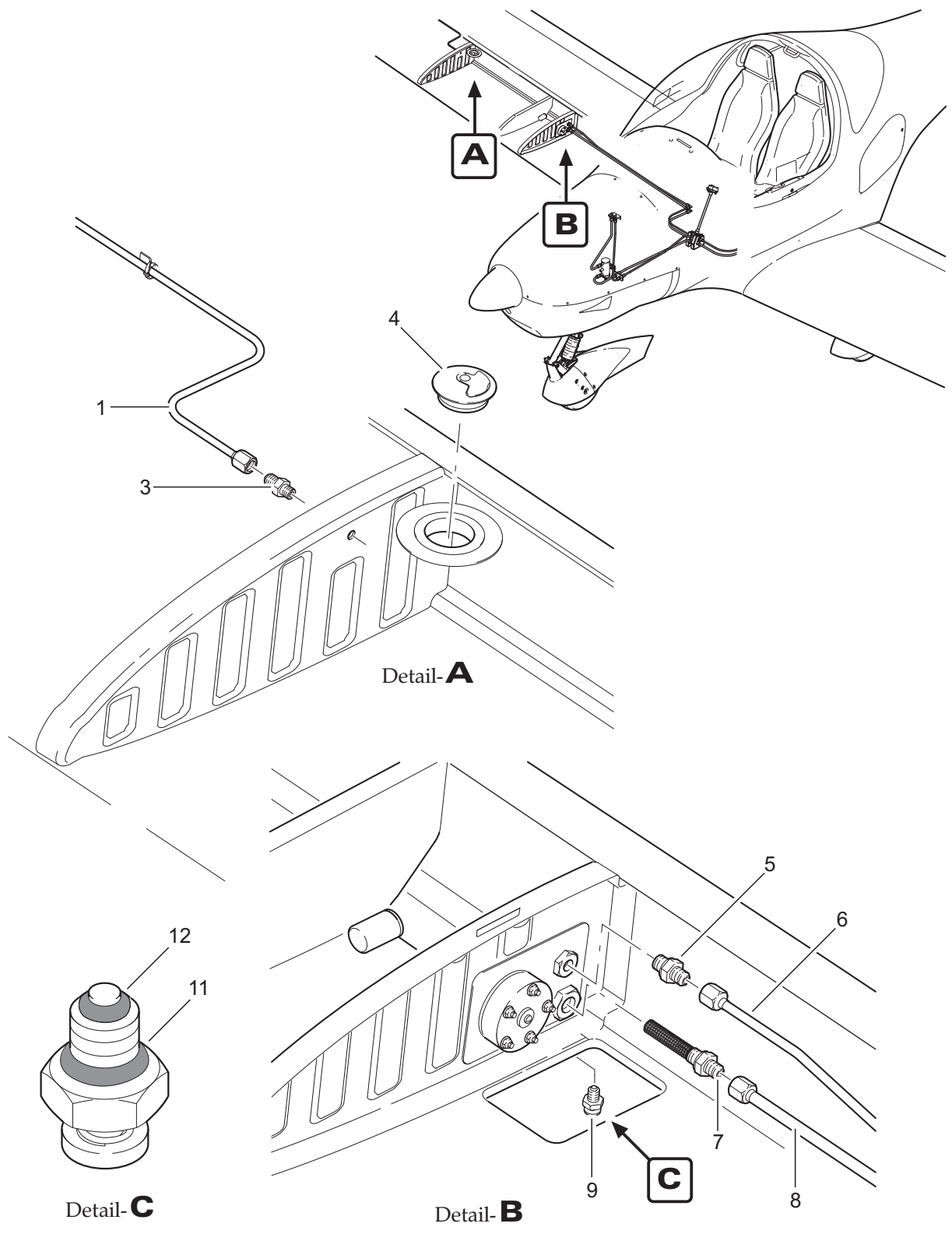
- Item not illustrated

Fuel - General
Figure 1

28-00-00

Page 3

29.04.16



Fuel System - Wings
Figure 2

Fig. Item	QTY	Part Number	Nomenclature	Effectivity
2			Fuel System - Wings	
1	1	AT01-8030-003	fuel tank ventilation line RH	
-2	1	AT01-8030-004	fuel tank ventilation line LH	
3	1	AT01-4520-216	fitting 1/8" BSPP	
4	1	AT01-4010-106	fuel filler cap	
5	1	AT01-4520-211	fitting 1/4" BSPP	
6	1	AT01-8020-003	fuel return line wing	
7	1	AT01-8010-003	finger strainer	
8	1	AT01-8010-004	fuel supply line wing	
9	1	AT01-8010-012 STND	drain valve (standard version ¹⁾ / including gaskets	
		AT01-8010-012 LONG	drain valve (optional long version ¹⁾ / including gaskets	
10	-	-	-	
11	1	AT01-8010-116	gasket (included in drain valve)	
12	1	AT01-8010-115	gasket (included in drain valve)	

¹⁾Refer to SI-AT01-018 annex 8 for further information.

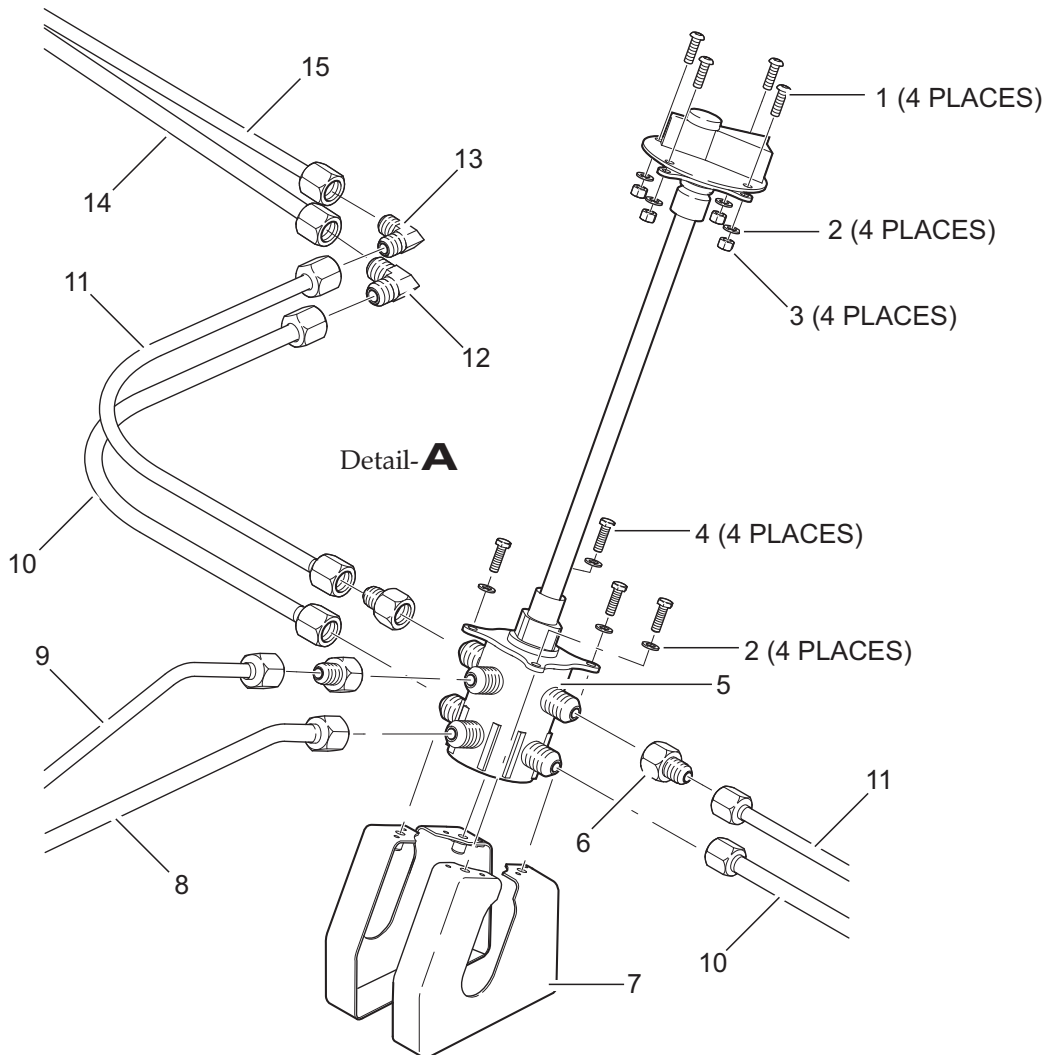
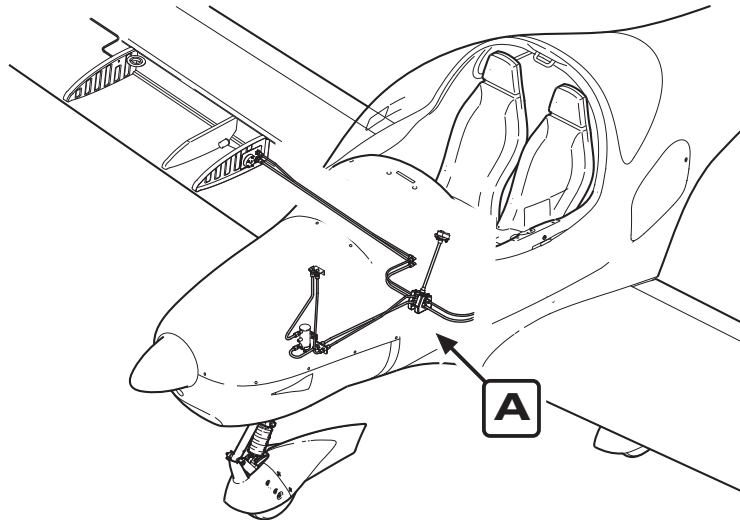
- Item not illustrated

Fuel System - Wings
Figure 2


28-00-00

Page 5

29.04.16



Fuel System - Fuselage
Figure 3

Fig. Item	QTY	Part Number	Nomenclature	Effectivity
3			Fuel System - Fuselage	
1	4	1807380_M5x16	bolt (ISO 7380 M5x16)	
2	8	1800125_5,3	washer (DIN 125 5,3x10)	
3	4	1800985_M5	locknut (DIN 985 M5)	
4	4	1800933_M5x12	bolt (DIN 933 M5x12)	
5	1	AT01-8010-101	fuel selector valve	
6	3	AT01-4520-240	reducer (size 6 to size 5)	
7	1	AT01-2120-009	mounting bracket (for fuel selector valve)	
8	1	AT01-8010-009	fuel supply line front	
9	1	AT01-8020-005 	fuel return line front	
10	2	AT01-8010-003	fuel supply line center	
11	2	AT01-8020-004	fuel return line center	
12	1	AT01-4520-153	elbow fitting (size 6)	
13	1	AT01-4520-154	elbow fitting (size 5)	
14	1	AT01-8010-004	fuel supply line wing	
15	1	AT01-8020-003	fuel return line wing	
-16	2	AT01-8010-124	universal joint (for fuel selector valve / optional)	

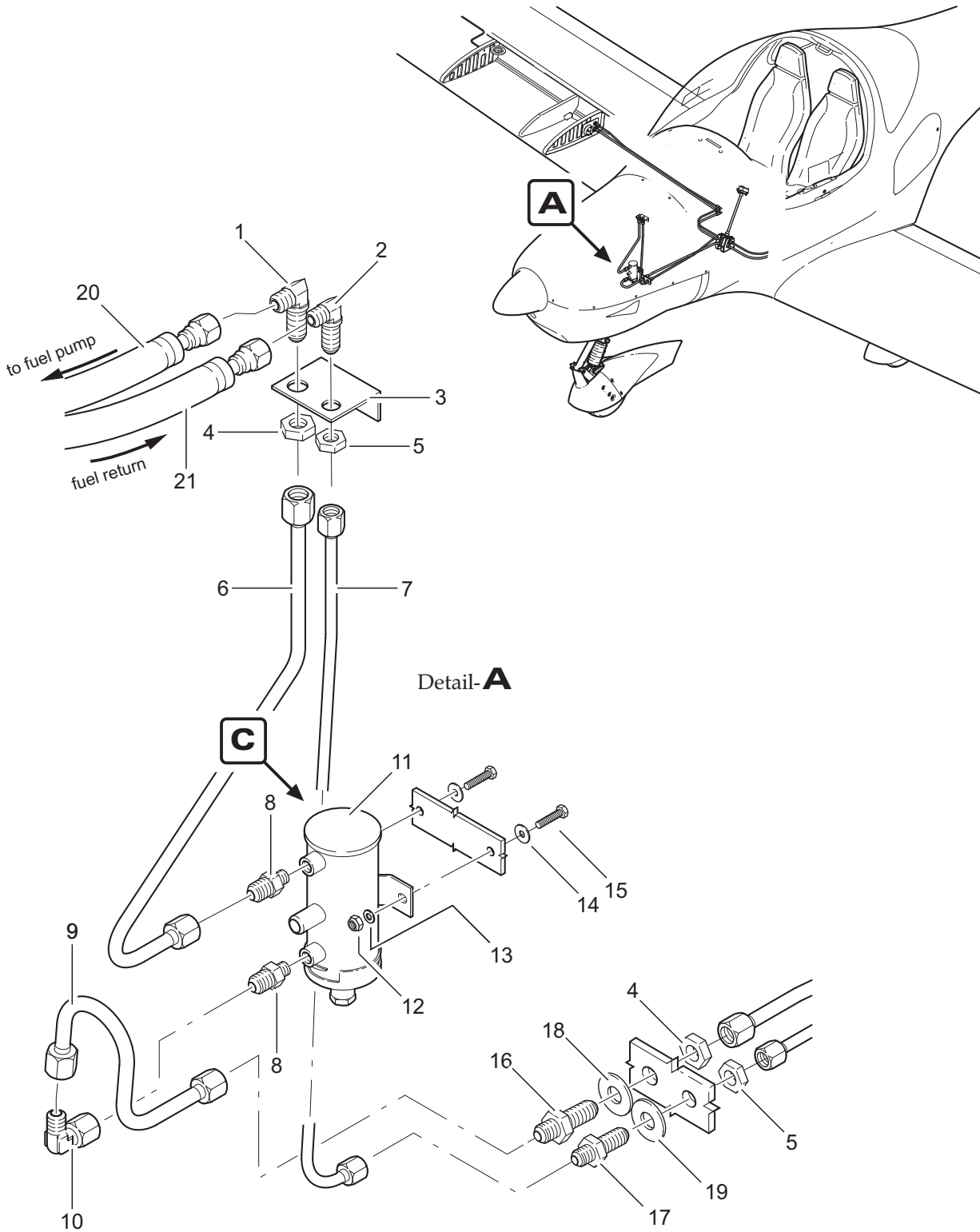
- Item not illustrated

Fuel System - Fuselage
Figure 3

28-00-00

Page 7

29.04.16



Fuel System - Engine Compartment
Figure 4 (1)

Fig. Item	QTY	Part Number	Nomenclature	Effectivity
4 (1)			Fuel System - Engine Compartment	
1	1	AT01-4520-221	elbow fitting (size 6)	
2	1	AT01-4520-220	elbow fitting (size 5)	
3	1	AT01-8000-101	support bracket	
4	1	AT01-4520-229	nut	
5	1	AT01-4520-227	nut	
6	1	AT01-8010-008	fuel supply line fuel pump top	
7	1	AT01-8020-006	fuel return line firewall	
8	2	AT01-4520-236	fitting 1/8" NPTF (size 6)	
9	1	AT01-8010-007	fuel supply line fuel pump bottom	
10	1	AT01-4520-161	elbow fitting (size 6)	
11	1	AT01-8010-011	electrical fuel pump assy (refer to figure 3 (2))	
12	2	1800985_M6	locknut (DIN 985 M6)	
13	2	1800125_6,4	washer (DIN 125 6,4x12)	
14	2	1809021_6,4	washer (DIN 9021 6,4x18)	
15	2	1800933_M6x30	bolt (DIN 933 M6x30)	
16	1	AT01-4520-224	bulkhead fitting (size 6)	
17	1	AT01-4520-223	bulkhead fitting (size 5)	
18	1	AT01-8010-109	washer	
19	1	AT01-8020-100	washer	
20	1	AT01-7080-396	fuel supply hose (part of fuel pump assy AT01-7080-396)	
21	1	AT01-8020-007	fuel return hose	
- 22	1	AT01-7080-396	mechanical fuel pump assy ROTAX	

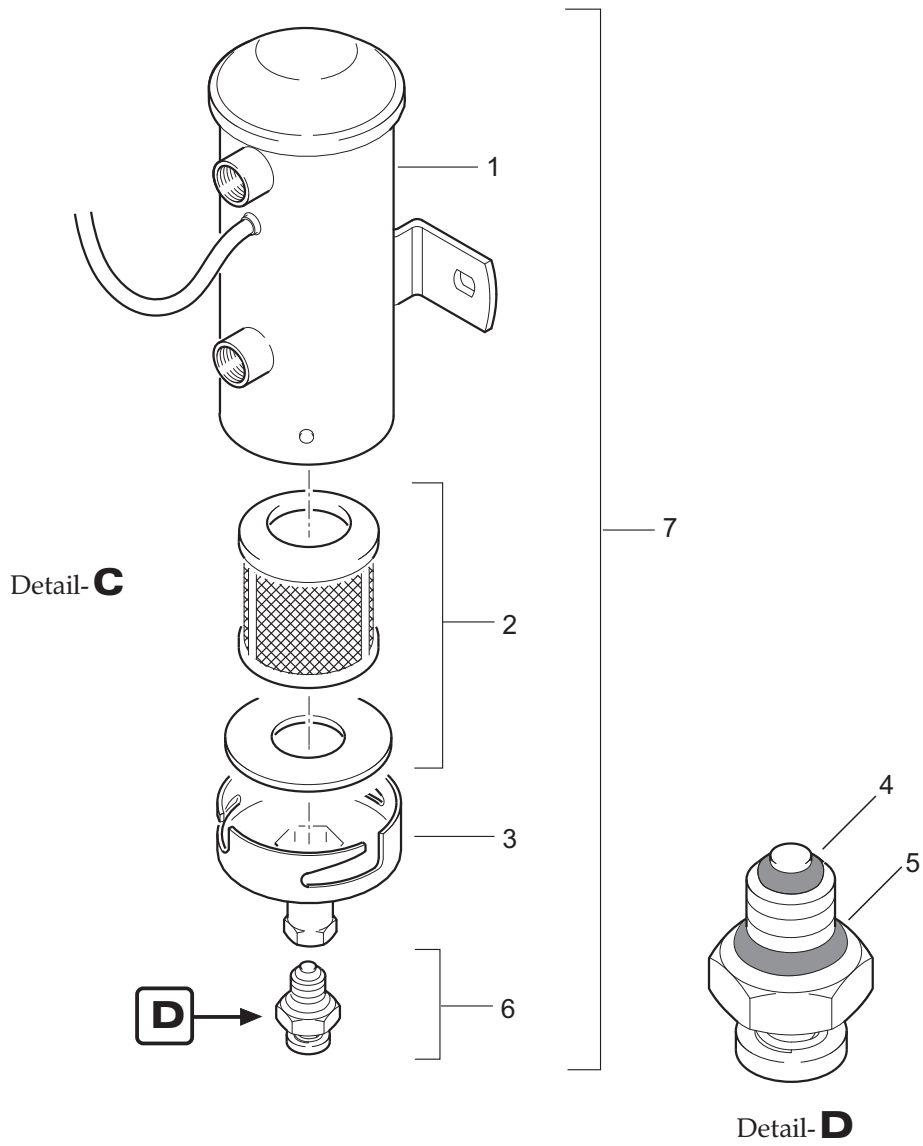
- Item not illustrated

Fuel System - Engine Compartment
Figure 4 (1)

28-00-00

Page 9

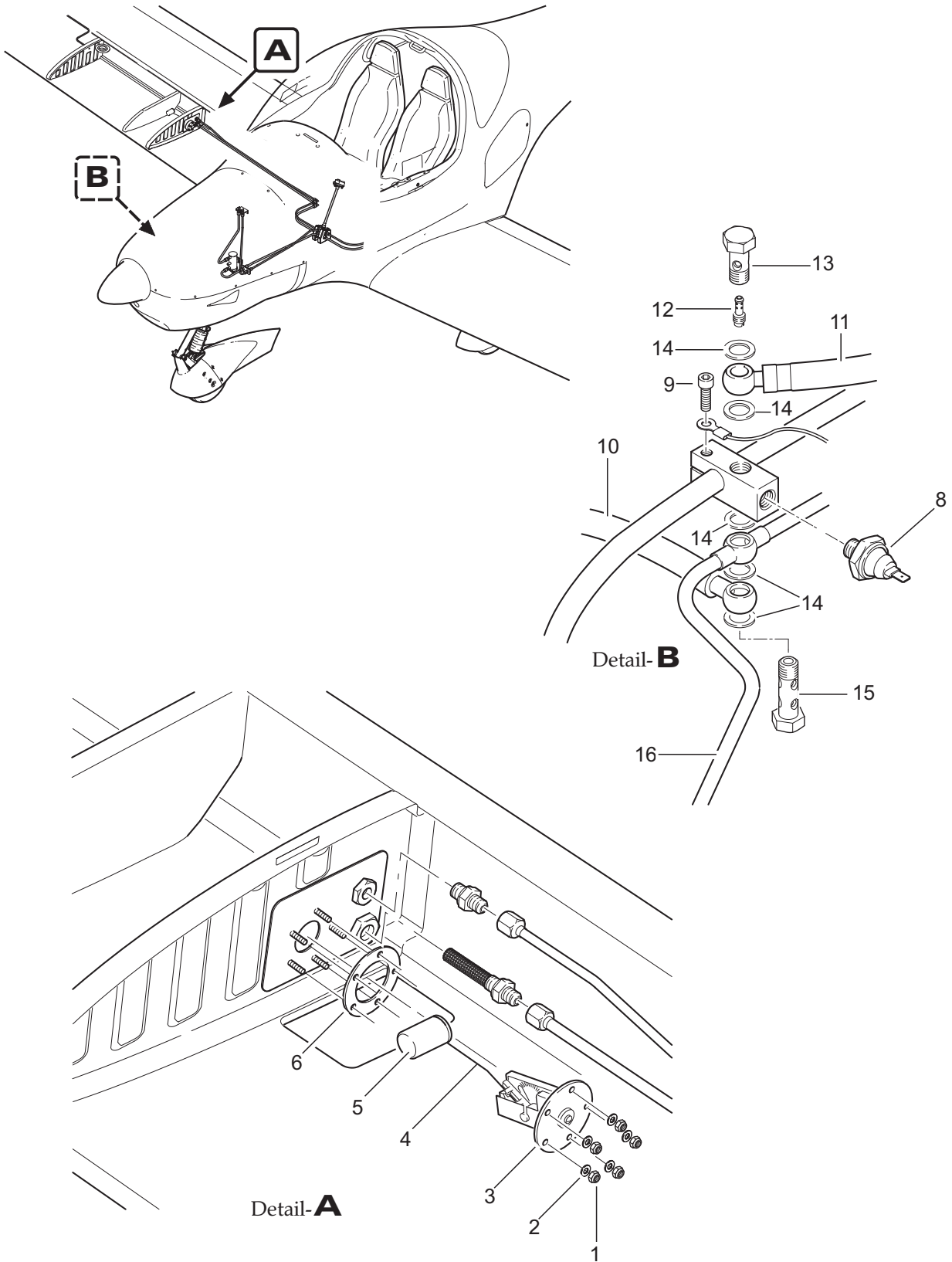
29.04.16



Fuel System - Engine Compartment
Figure 4 (2)

Fig. Item	QTY	Part Number	Nomenclature	Effectivity
4 (2)			Fuel System - Engine Compartment	
1	1	AT01-8010-098	electrical fuel pump (w/o cap, with e-connector)	
2	1	AT01-8010-114	filter and gasket	
3	1	AT01-8010-010	electrical fuel pump cap	
4	1	AT01-8010-115	gasket (included in drain valve)	
5	1	AT01-8010-116	gasket (included in drain valve)	
6	1	AT01-8010-012 STND	drain valve (standard version ¹⁾ / including gaskets)	
		AT01-8010-012 LONG	drain valve (optional long version ¹⁾ / including gaskets)	
7	1	AT01-8010-011	electrical fuel pump assy	

¹⁾Refer to SI-AT01-018 annex 8 for further information.



EFFECTIVITY

251 - 299

Fuel Quantity / Pressure Indication
Figure 5A

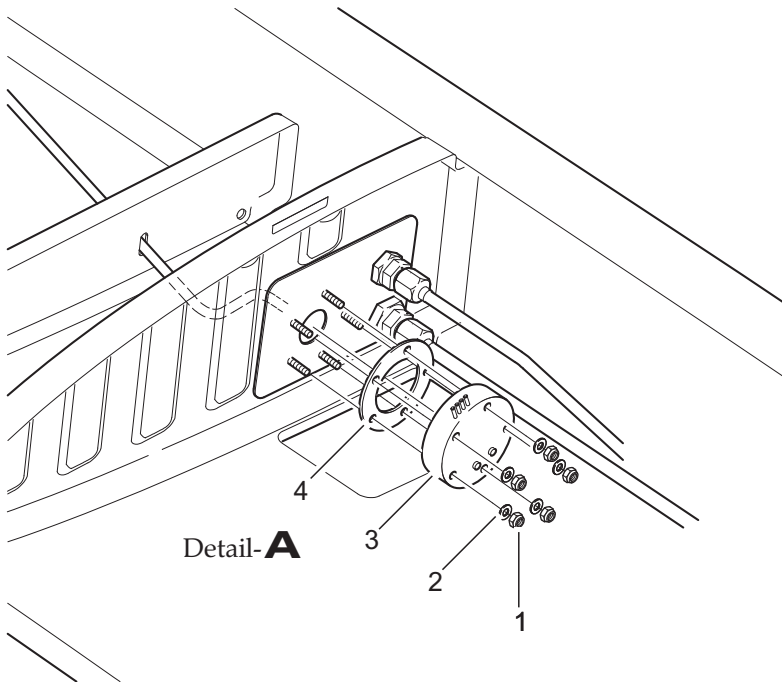
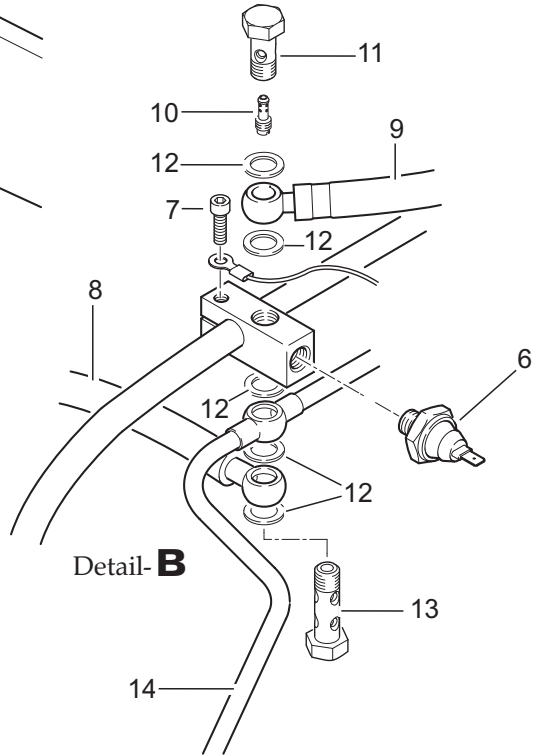
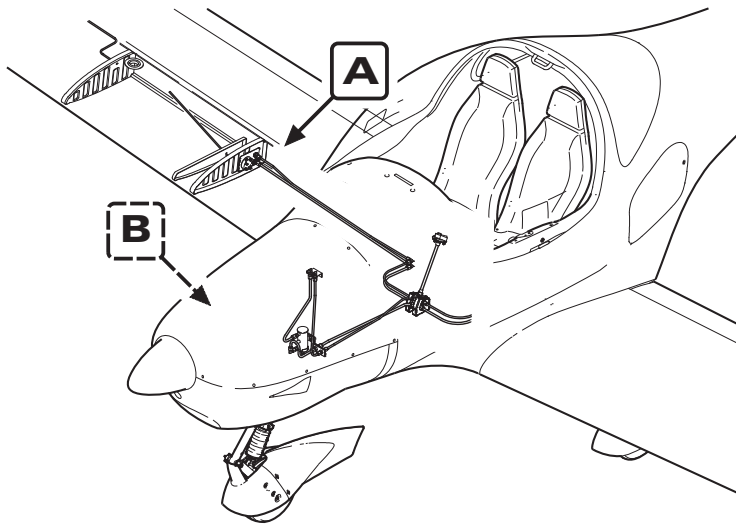
28-00-00

Page 12A

29.04.16

Fig. Item	QTY	Part Number	Nomenclature	Effectivity
5A			Fuel Quantity / Pressure Indication	251 - 299
1	5	1800985_M5	locknut (DIN 985 M5)	
2	5	1800125_5,3	washer (DIN 125 5,3x10)	
3	1	AT01-8030-174	fuel level sender RH	
4	1	AT01-8030-178	lever / shepherds crook (for use without calibration module ¹⁾)	
		AT01-8030-186	lever / shepherds crook (for use with calibration module ¹⁾)	
5	1	AT01-8030-179	float	
6	1	AT01-8030-106	gasket	
-7	1	AT01-8030-173	fuel level sender LH	
8	1	AT01-7030-200	fuel pressure sensor	analog instr.
9	1	1800912_M5x16	bolt (DIN 912 M5x16)	
10	1	AT01-7080-396	fuel supply hose (part of fuel pump assy AT01-7080-396)	
11	1	AT01-8020-007	fuel return hose	
12	1	AT01-7050-108	restricting orifice (0,25mm)	
	1	AT01-8020-104	restricting orifice (0,20mm / optional / refer to SI-AT01-018 annex 11)	
13	1	Ro 941785	banjo bolt	
14	4	Ro 950143	gasket	
15	1	Ro 940872	banjo bolt	
16	1	Ro 874911	fuel hose	

¹⁾The calibration module is installed on the back of the fuel gauge. Refer to 77-00-00 and SI-AT01-018 annex 12 for further information.



EFFECTIVITY

101 - 250

Fuel Quantity / Pressure Indication
Figure 5B

28-00-00

Page 12B

29.04.16

Fig. Item	QTY	Part Number	Nomenclature	Effectivity
5B			Fuel Level / Pressure Sensor Installation	101 - 250
1	5	1800985_M5	locknut (DIN 985 M5)	
2	5	1800125_5,3	washer (DIN 125 5,3x10)	
3	1	AT01-8030-120	fuel level sender RH (with potentiometer for calibration)	(Type 1)
3	1	AT01-8030-124	fuel level sender RH (without potentiometer for calibration)	(Type 1)
3	1	AT01-8030-130	fuel level sender "NGF" RH (with potentiometer for calibration)	(Type 2)
3	1	AT01-8030-132	fuel level sender "NGF" RH (w/o potentiometer for calibration)	(Type 2)
4	1	AT01-8030-106	gasket	
-5	1	AT01-8030-121	fuel level sender LH (with potentiometer for calibration)	(Type 1)
-5	1	AT01-8030-125	fuel level sender LH (without potentiometer for calibration)	(Type 1)
-5	1	AT01-8030-131	fuel level sender "NGF" LH (with potentiometer for calibration)	(Type 2)
-5	1	AT01-8030-133	fuel level sender "NGF" LH (w/o potentiometer for calibration)	(Type 2)
6	1	AT01-7030-200	fuel pressure sensor	
7	1	1801912_M5x16	bolt (DIN 912 M5x16)	
8	1	AT01-7080-396	fuel supply hose (part of fuel pump assy AT01-7080-396)	
9	1	AT01-8020-007	fuel return hose	
10	1	AT01-7050-108	restricting orifice (0,25 mm)	
	1	AT01-8020-104	restricting orifice (0,20mm / optional / refer to SI-AT01-018 annex 11)	
11	1	Ro 941785	banjo bolt	
12	4	Ro 950143	gasket	
13	1	Ro 940872	banjo bolt	
14	1	Ro 874911	fuel hose	

Notes:

Two different types of capacitive fuel level indicating systems are in use. The systems are not compatible to each other and require specific fuel level senders and gauges:

- Type 1: S/N AT01-101 up to AT01-160 (may differ due to modifications)

This type of sender may only be used in conjunction with the fuel gauge AT01-2840-122.

- Type 2: S/N AT01-161 up to AT01-250 (may differ due to modifications)

This type of sender may only be used in conjunction with the fuel gauges AT01-2840-202 or AT01-2840-203.

The fuel level senders with calibration potentiometers may be replaced by those without potentiometers and vice versa.

For example: AT01-8030-120 may be replaced by AT01-8030-124, but is not compatible to AT01-8030-130 or AT01-8030-132.



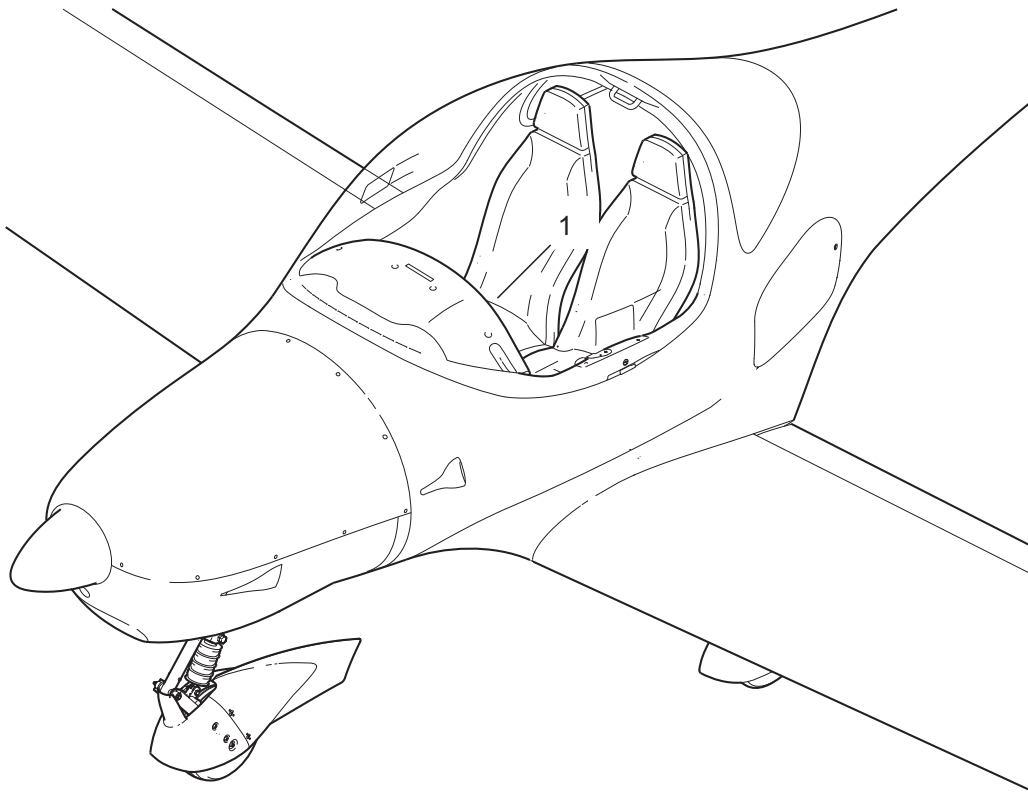
AQUILA AT01
ILLUSTRATED PARTS CATALOG

CHAPTER 31
INDICATING/RECORDING
SYSTEMS

TABLE OF CONTENTS

<u>Title</u> <u>Subject</u>	<u>Chapter</u> <u>Section</u> <u>Subject</u>	<u>Page</u>	<u>Effectivity</u>
INDICATING / RECORDING SYSTEMS - GENERAL	31-00-00	1	
Indicating / Recording Systems - General	31-00-00	2	
Misc. Indicators / Indicating Devices	31-00-00	4	

INDICATING / RECORDING SYSTEMS
GENERAL



Indicating / Recording Systems - General
Figure 1

Fig. Item	QTY	Part Number	Nomenclature	Effectivity
1			Indicating / Recording Systems - General	
	1		Misc. Indicators / Indicating Devices (refer to 31-00-00, figure 2 for details)	

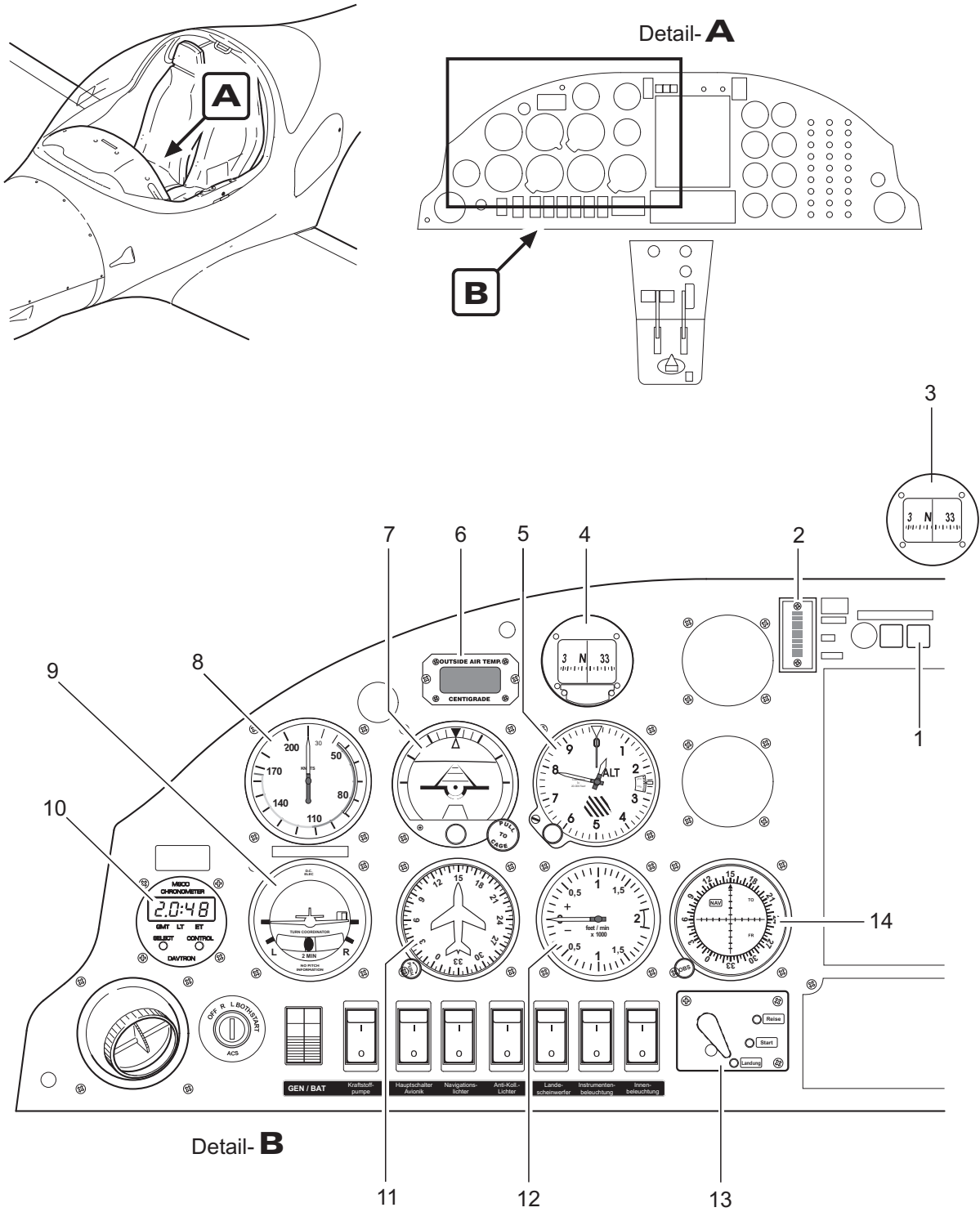
- Item not illustrated

Indicating / Recording Systems - General
Figure 1

31-00-00

Page 3

29.04.16



Misc. Indicators / Indicating Devices
 Figure 2

Fig. Item	QTY	Part Number	Nomenclature	Effectivity
2			Misc. Indicators / Indicating Devices	
1	1	AT01-4530-802	warning light red	
	1	AT01-4530-804	warning light yellow (Pitot-heating)	
2	1	AT01-2840-181	trim position indicator	
3	1	AT01-2840-142	compass Airpath C2400-L4P (northern hemisphere)	
	1	AT01-2840-173	compass Airpath C2400-L4P (southern hemisphere)	
4	1	AT01-2840-135	compass Airpath C2300	
5	1	AT01-2840-130	altimeter Mid Continent 5934PM-3 (Ø 80mm)	
	1	AT01-2840-170	altimeter Mid Continent 5934PM-3 (Ø 80mm, lighted)	
	1	AT01-2840-128	altimeter Winter 4 FGH 40 (Ø 57mm)	
	1	AT01-2840-145	altimeter Mid Continent MD15-212 (Ø 57mm, lighted)	
	1	AT01-2840-182	altimeter Mid Continent 5237M (Ø 57mm, lighted)	
6	1	AT01-2840-200	outside air temperature indicator Davtron	
7	1	AT01-2840-149	attitude gyro RC Allen 26 AK-3	
	1	AT01-2840-150	attitude gyro RC Allen 26 AK-4	
	1	AT01-2840-153	attitude gyro Mid Continent 4300-311 (Ø 80mm, lighted)	
	1	AT01-2840-161	attitude gyro Mid Continent 4200-11 (Ø 57mm, lighted)	
	1	AT01-2840-158	attitude gyro RC Allen 2600-2 (Ø 57mm)	
8	1	AT01-2840-131	airspeed indicator Winter 6 FMS 5 (Ø 80mm)	
	1	AT01-2840-108	airspeed indicator Mid Continent 8025 (Ø 80mm)	
	1	AT01-2840-148	airspeed indicator Winter 7 FMS 5 (Ø 57mm)	
9	1	AT01-2840-152	turn coordinator RC Allen 82A-11	
	1	AT01-2840-156	turn coordinator Mid Continent MD1394 (Ø 80mm)	
10	1	AT01-2840-193	chronometer Astrotech	
	1	AT01-2840-194	Quarz clock	
	1	AT01-2840-195	Quarz clock ELT	
	1	AT01-2840-197	chronometer	
	1	AT01-2840-199	chronometer	
	1	AT01-2840-198	chronometer Davtron (Ø 57mm)	
11	1	AT01-2840-151	directional gyro RC Allen	
	1	AT01-2840-169	directional gyro Mid Continent MD3300-10 (Ø 80mm)	
	1	AT01-2840-157	directional gyro Mid Continent MD3300-11 (Ø 80mm, lighted)	
12	1	AT01-2840-133	vertical speed indicator 5VM	
	1	AT01-2840-100	vertical speed indicator UMA T8-310-20 (Ø 80mm)	
13	1	AT01-8220-067	flap switch / indicator	
14	1	AT01-8730-201	course deviation indicator (CDI) Garmin GI-106A	
-15	1	AT01-8250-106	trim switch	

- Item not illustrated

Misc. Indicators / Indicating Devices
Figure 2

31-00-00

Page 5

29.04.16



AQUILA AT01
ILLUSTRATED PARTS CATALOG

CHAPTER 32
LANDING GEAR

TABLE OF CONTENTS

<u>Title</u> <u>Subject</u>	<u>Chapter</u> <u>Section</u> <u>Subject</u>	<u>Page</u>	<u>Effectivity</u>
MAIN GEAR	32-10-00	1	
Main Gear - General	32-10-00	2	
Main Gear Fairing Installation	32-10-00	4A	"High Speed"
Main Gear Fairing Installation	32-10-00	4B	"Soft Field"
Main Gear Leg Installation	32-10-00	6	
Main Gear Wheel Installation	32-10-00	8	
Main Gear Leg Protection	32-10-00	10	
NOSE GEAR	32-20-00	1	
Nose Gear - General	32-20-00	2	
Nose Gear Fairing Installation	32-20-00	4A	"High Speed"
Nose Gear Fairing Installation	32-20-00	4B	"Soft Field"
Nose Gear Strut Installation	32-20-00	6	
Nose Gear Strut Installation	32-20-00	8	
Nose Gear Fork/Damper Installation	32-20-00	10	
Damper Assembly	32-20-00	12A	
Damper Assembly	32-20-00	12B	SB-AT01-037
Nose Gear Wheel Installation	32-20-00	14	
WHEELS & BRAKES	32-40-00	1	
Wheels & Brakes - General	32-40-00	2	
Wheel Assembly	32-40-00	4	
Brake System Installation - Front	32-40-00	6A	101 - 102
Brake System Installation - Front	32-40-00	6B	103 - 299
Brake System Installation - Rear	32-40-00	8A	101 - 122
Brake System Installation - Rear	32-40-00	8B	123 - 299
Brake Caliper Installation	32-40-00	10	

MAIN GEAR

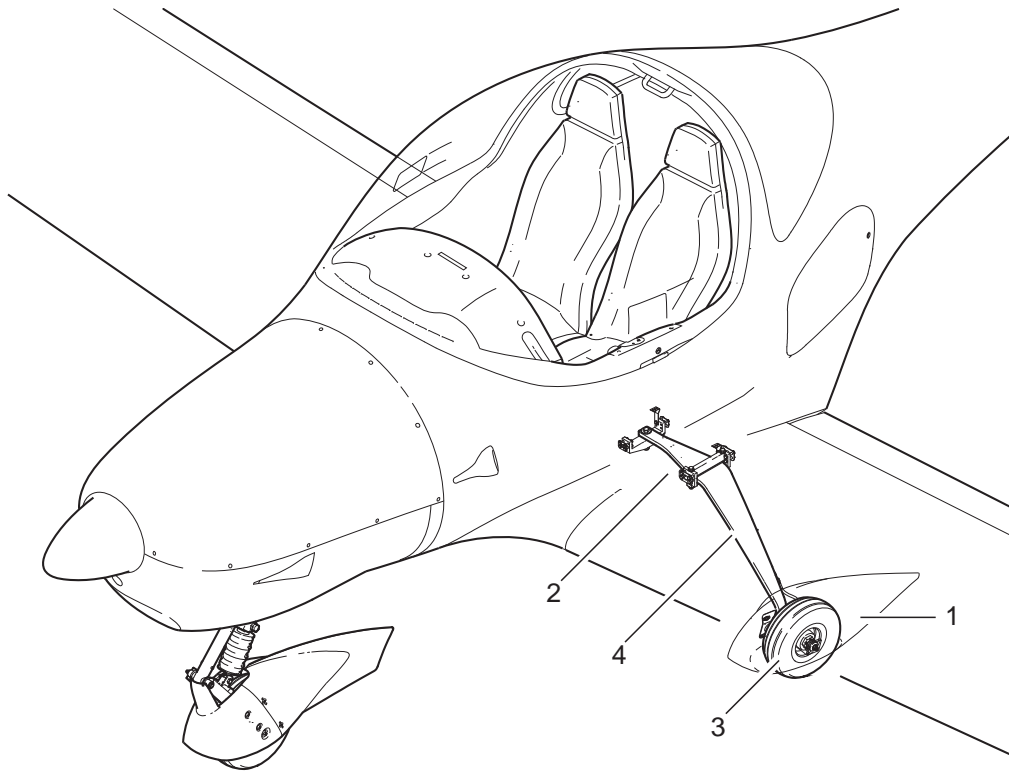
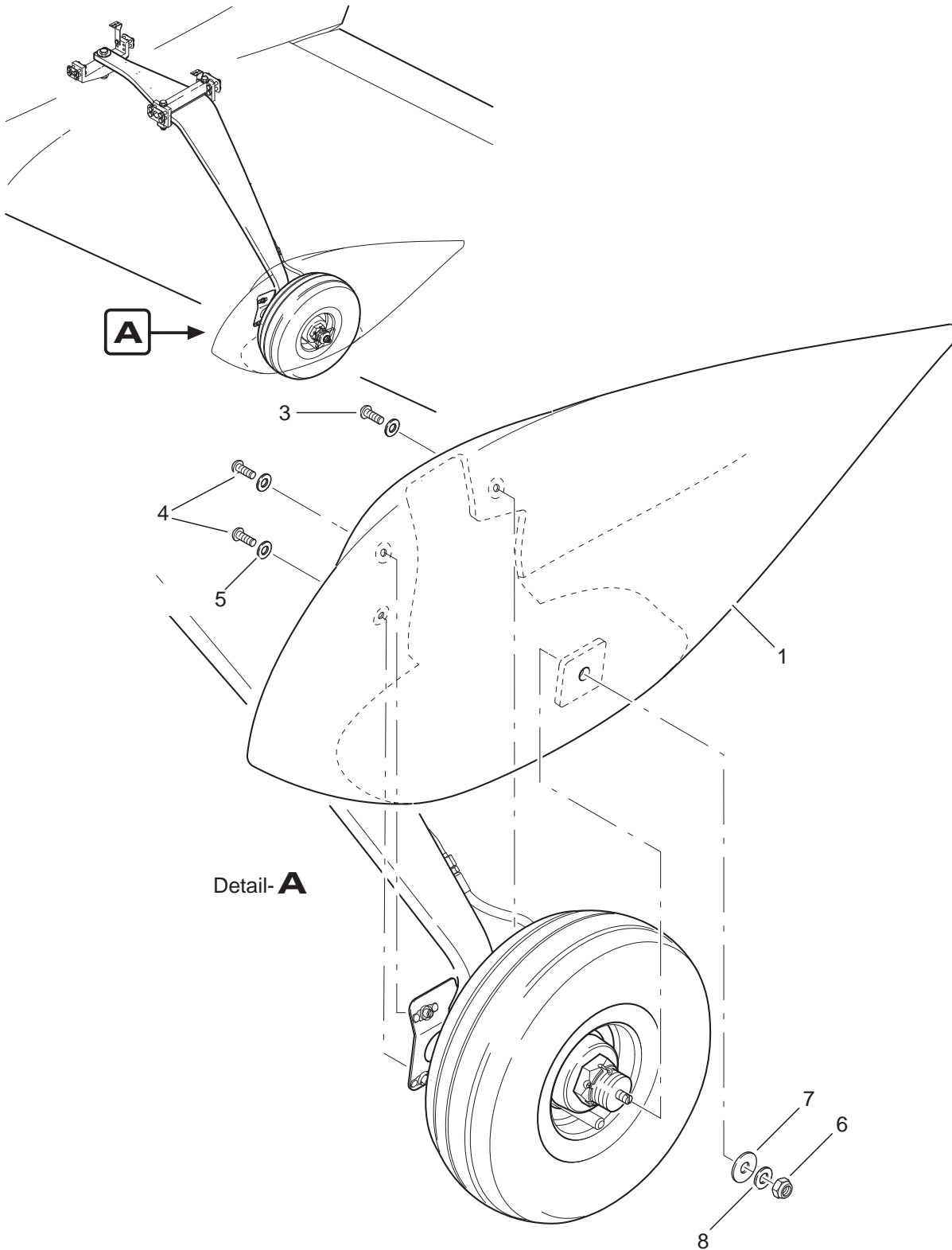


Fig. Item	QTY	Part Number	Nomenclature	Effectivity
1			Main Gear - General	
	1		Main Gear Fairing Installation (refer to 32-10-00, figure 2A for details)	"High Speed"
	-1		Main Gear Fairing Installation (refer to 32-10-00, figure 2B for details)	"Soft Field"
	2		Main Gear Leg Installation (refer to 32-10-00, figure 3 for details)	
	3		Main Gear Wheel Installation (refer to 32-10-00, figure 4 for details)	
	4		Main Gear Leg Protection (refer to 32-10-00, figure 5 for details)	

- Item not illustrated



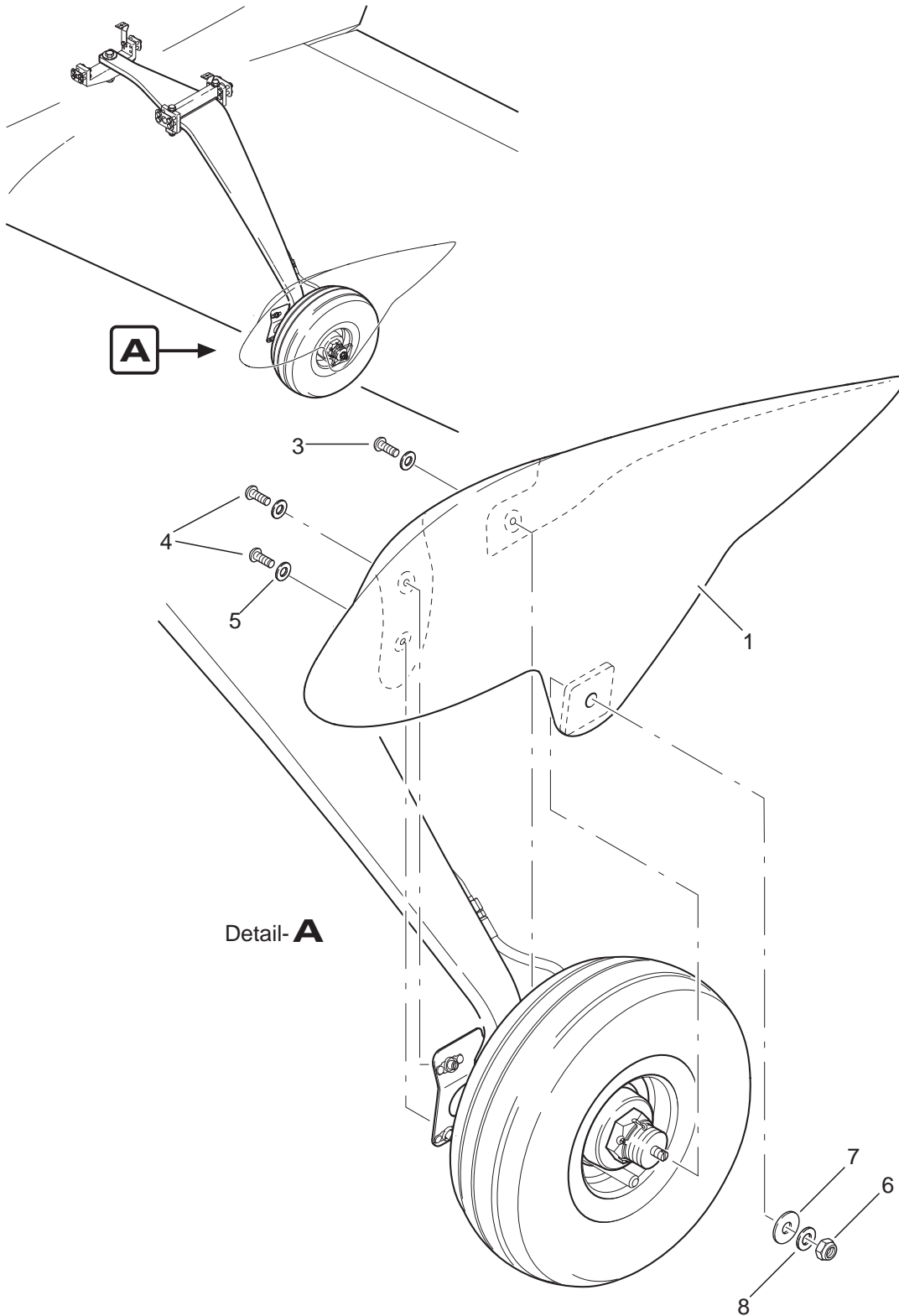
EFFECTIVITY

Aircraft equipped with main gear fairings "High Speed"

Main Gear Fairing Installation
Figure 2A

Fig. Item	QTY	Part Number	Nomenclature	Effectivity
2A			Main Gear Fairing Installation	"High Speed"
1	1	AT01-5030-001-070	main gear fairing "High Speed" LH	
-2	1	AT01-5030-002-070	main gear fairing "High Speed" RH	
<u>Option A: Wheel fairing installation with steel washers</u>				steel washers
3	1	1800933_M6x20	bolt (ISO 4017 M6x20 8.8)	
4	2	1800933_M6x16	bolt (ISO 4017 M6x16 8.8)	
5	3	1809021_6,4	washer (ISO 7093 6,4x18)	
6	1	1800985_M8	locknut (ISO 10511 M8)	
7	1	1809021_8,4	washer (ISO 7093 8,4x24)	
8	-	-	-	
<u>Option B: Wheel fairing installation with polyamide washers</u>				PA washers
3	1	1807380_6x20 ULF	bolt (ISO 7380 M6x20 ULF)	
4	2	1807380_6x16 ULF	bolt (ISO 7380 M6x16 ULF)	
5	3	1809021_6,4_PA	washer (ISO 7093 6,4x18 polyamide)	
6	1	1800985_M8	locknut (ISO 10511 M8)	
7	1	1809021_8,4_PA	washer (ISO 7093 8,4x24 polyamide)	
8	1	1800125_8,4	washer (ISO 7089 8,4x16)	
<u>Service Kits & Tools</u>				
		AT01-5030-001-096	main gear fairing "High Speed" LH (incl. mounting material)	
		AT01-5030-002-096	main gear fairing "High Speed" RH (incl. mounting material)	

- Item not illustrated



Detail-**A**

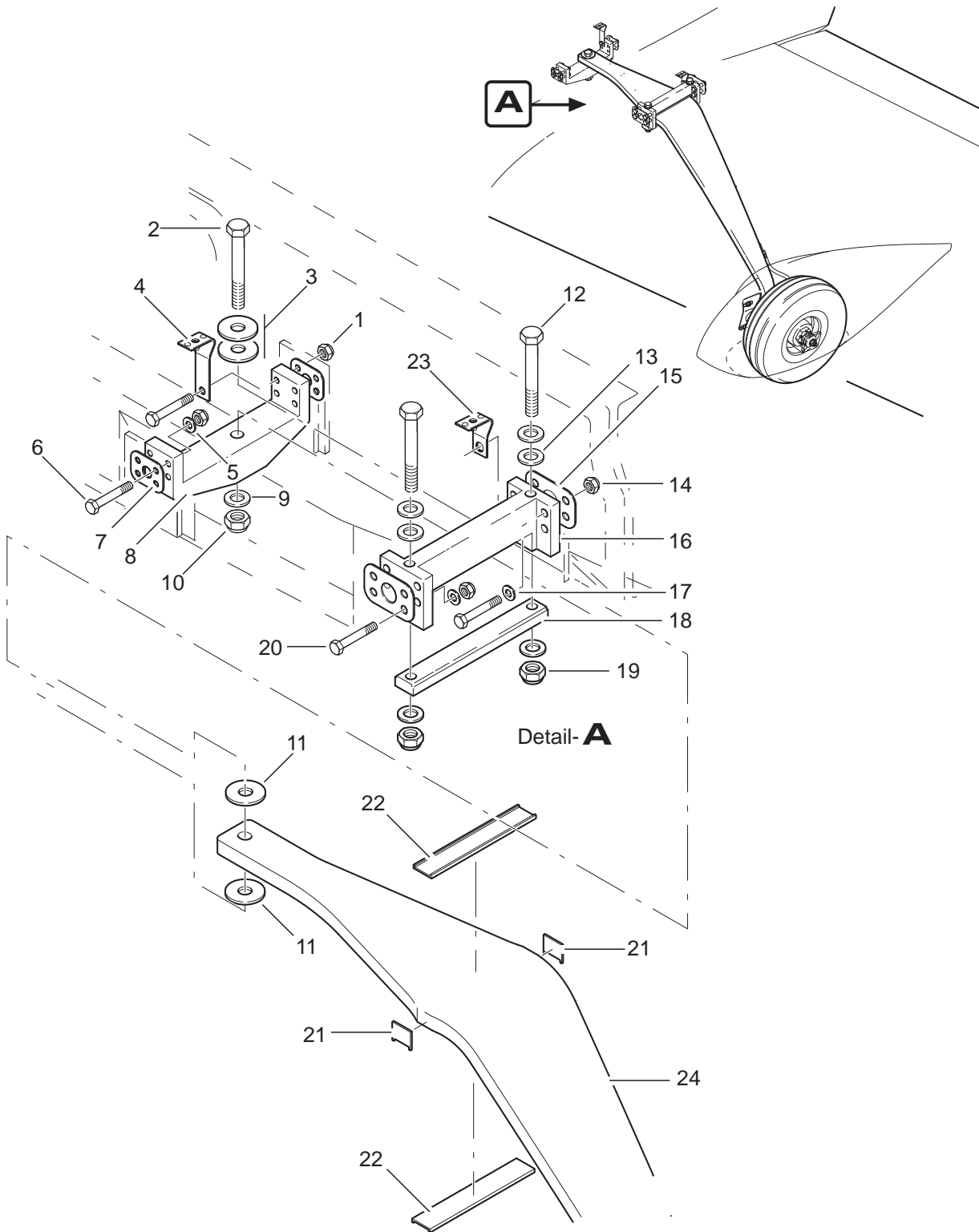
EFFECTIVITY

Aircraft equipped
with main gear
fairings "Soft Field"

Main Gear Fairing Installation
Figure 2B

Fig. Item	QTY	Part Number	Nomenclature	Effectivity
2B			Main Gear Fairing Installation	"Soft Field"
1	1	AT01-5030-007-070	main gear fairing "Soft Field" LH	
-2	1	AT01-5030-008-070	main gear fairing "Soft Field" RH	
<u>Option A: Wheel fairing installation with steel washers</u>				steel washers
3	1	1800933_M6x20	bolt (ISO 4017 M6x20 8.8)	
4	2	1800933_M6x16	bolt (ISO 4017 M6x16 8.8)	
5	3	1809021_6,4	washer (ISO 7093 6,4x18)	
6	1	1800985_M8	locknut (ISO 10511 M8)	
7	1	1809021_8,4	washer (ISO 7093 8,4x24)	
8	-	-	-	
<u>Option B: Wheel fairing installation with polyamide washers</u>				PA washers
3	1	1807380_6x20 ULF	bolt (ISO 7380 M6x20 ULF)	
4	2	1807380_6x16 ULF	bolt (ISO 7380 M6x16 ULF)	
5	3	1809021_6,4_PA	washer (ISO 7093 6,4x18 polyamide)	
6	1	1800985_M8	locknut (ISO 10511 M8)	
7	1	1809021_8,4_PA	washer (ISO 7093 8,4x24 polyamide)	
8	1	1800125_8,4	washer (ISO 7089 8,4x16)	
<u>Service Kits & Tools</u>				
		AT01-5030-007-096	main gear fairing "Soft Field" LH (incl. mounting material)	
		AT01-5030-008-096	main gear fairing "Soft Field" RH (incl. mounting material)	

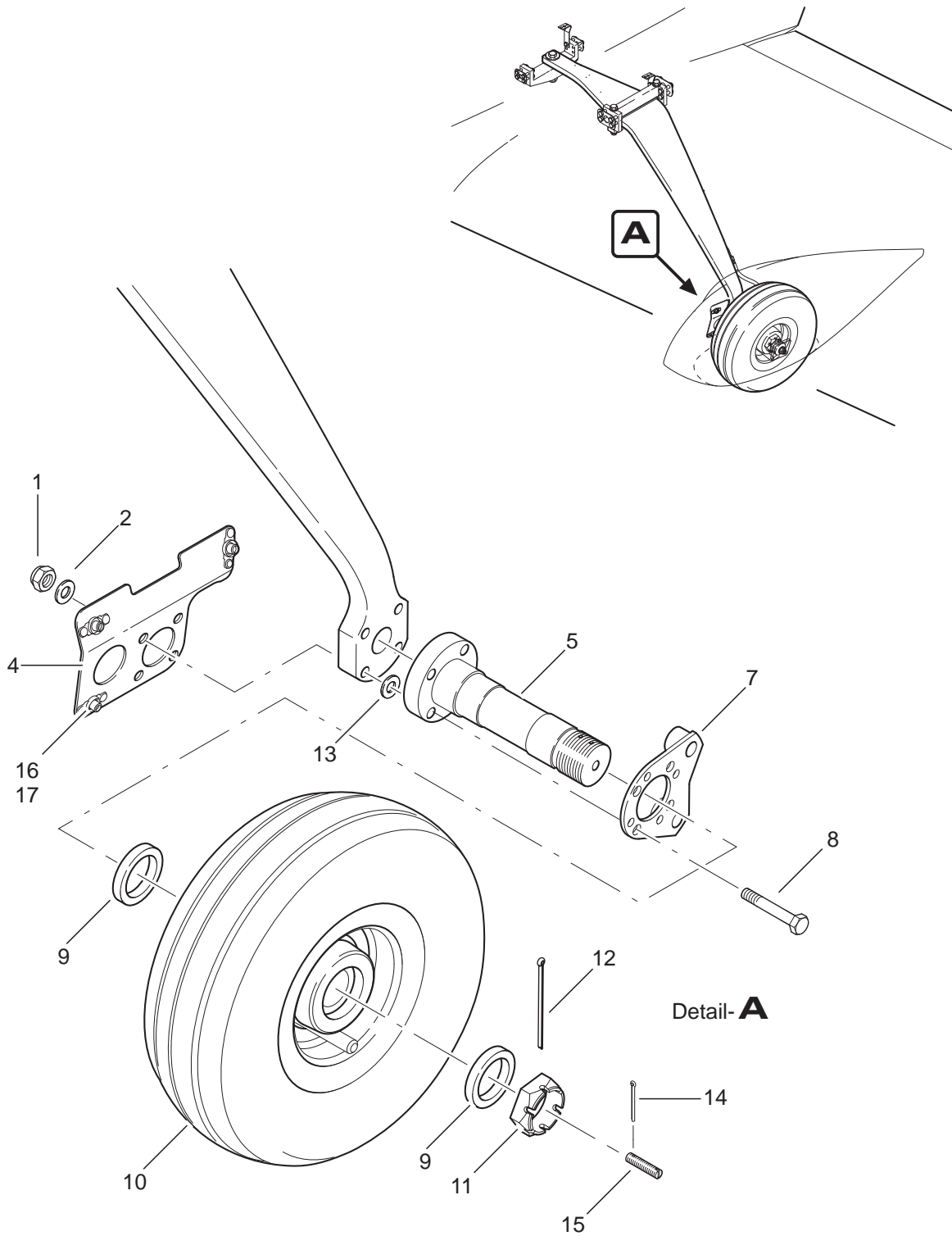
- Item not illustrated



Main Gear Leg Installation
Figure 3

Fig. Item	QTY	Part Number	Nomenclature	Effectivity
3			Main Gear Leg Installation	
1	8	1800985_M6	nut (ISO 10511 M6)	
2	1	1800931_M12x85	bolt (ISO 4014 M12x85 8.8)	
3	4	1800440_13,5	washer (ISO 7094 13,5x44)	
4	1	AT01-2160-015	central suspension for landing gear duct cover	
5	7	1800125_6,4	washer (ISO 7089 6,4x12)	
6	8	1800931_M6x45	bolt (ISO 4014 M6x45 8.8)	
7	2	AT01-5050-102	bearing plate (inner yoke)	
8	1	AT01-5050-100	inner yoke	
9	1	1800125_13HV2	washer (ISO 7089 13x24)	
10	1	1800985_M12	locknut (ISO 10511 M12)	
11	2	1809021_13 Nylon	polyamide washer (ISO 7093 13x37)	
12	2	1800931_M10x90	bolt (ISO 4014 M10x90 8.8)	
13	6	1800125_10,5	washer (ISO 7089 10,5x20)	
14	8	1800985_M8	locknut (ISO 10511 M8)	
15	2	AT01-5050-110	bearing plate (outer yoke)	
16	1	AT01-5050-101	outer yoke	
17	7	1800125_8,4	washer (ISO 7089 8,4x16)	
18	1	AT01-5050-103	support bracket (outer yoke)	
19	2	1800985_M10	locknut (ISO 10511 M10)	
20	8	1800931_M8x50	bolt (ISO 4014 M8x50 8.8)	
21	2	AT01-5050-105	UHMW element 2	
22	2	AT01-5050-104	UHMW element 1	
23	1	AT01-2160-016	outer suspension for landing gear duct cover	
24	1	AT01-5010-202	main gear leg LH	
- 25	1	AT01-5010-201	main gear leg RH	

- Item not illustrated



Main Gear Wheel Installation
 Figure 4

Fig. Item	QTY	Part Number	Nomenclature	Effectivity
4			Main Gear Wheel Installation	
1	4	1800985_M8_10	locknut (ISO 10511 M8 class 10)	
2	4	1800125_8,4	washer (ISO 7089 d 8,4x16)	
- 3	1	AT01-5030-004	main gear fairing bracket RH	
4	1	AT01-5030-003	main gear fairing bracket LH	
5	1	AT01-5010-100	main landing gear axle	
- 6	1	AT01-5020-352	torque plate Cleveland RH	Cleveland
		AT01-5020-359	torque plate Grove RH	Grove
7	1	AT01-5020-351	torque plate Cleveland LH	Cleveland
		AT01-5020-358	torque plate Grove LH	Grove
8	8	1809037_08048	bolt (LN 9037 M8x48)	
9	2	AT01-5020-202	spacer bushing	
10	1	AT01-5040-001	main wheel Cleveland (incl. rim, tire and brake disc)	Cleveland
		AT01-5040-003	main wheel Grove (incl. rim, tire and brake disc)	Grove
11	1	AT01-5020-201	axle nut	
12	1	1800094_3,2x63	split pin (ISO 1234 3,2x63)	
13	AR	1800988_8/0,05	adjusting washer (as required)	
14	1	1800094_2x40	split pin (ISO 1234 2x40)	
15	1	AT01-5030-102	bolt	
16	3	18029679M6	rivet nut (LN 29679 M6 / incl. in AT01-5030-003 & AT01-5030-004)	
17	6	1807337_3,2x6 ES/ES	rivet (ISO 15984 3,2x6 A2/A2 / incl. in AT01-5030-003 & AT01-5030-004)	

- Item not illustrated

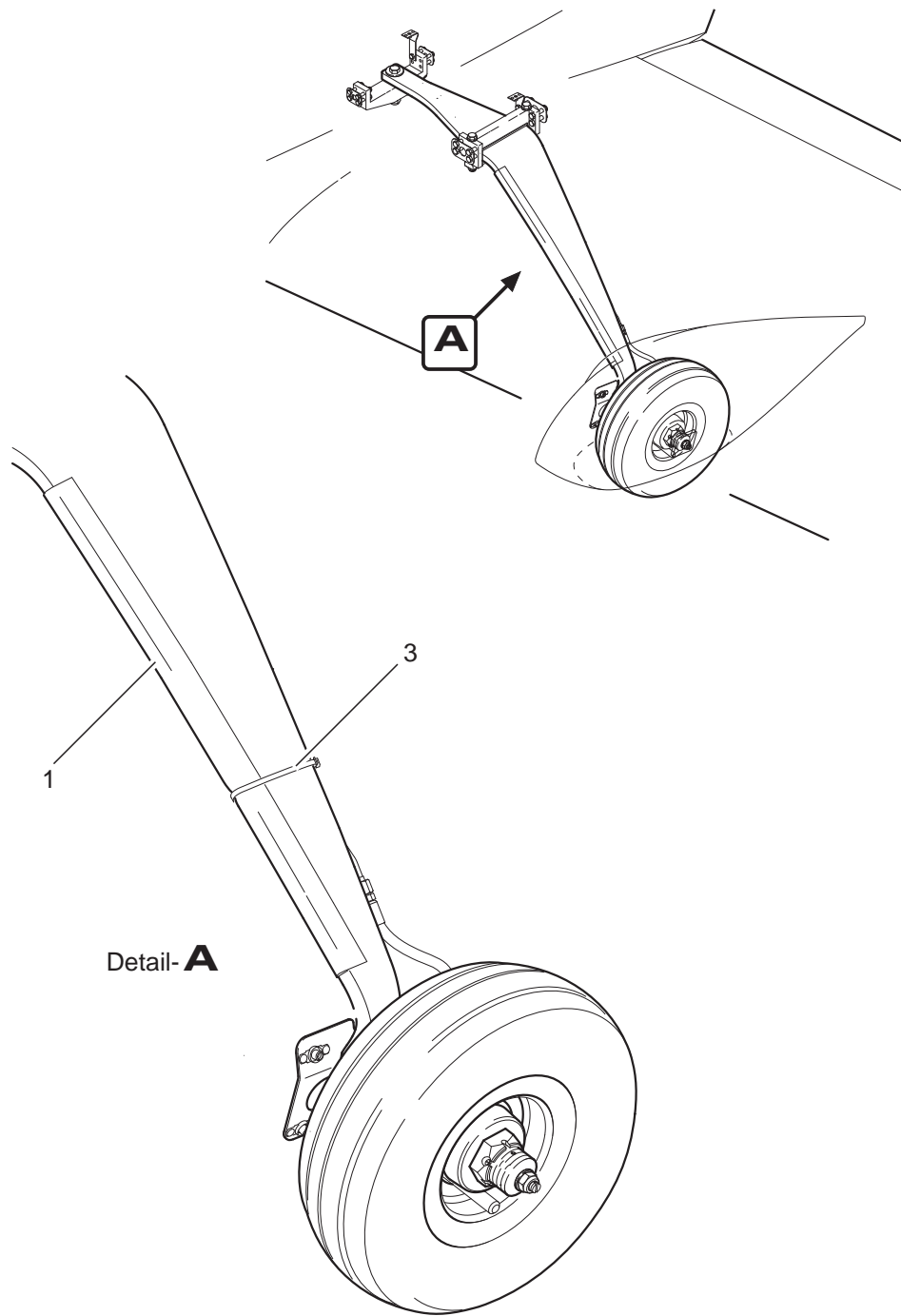
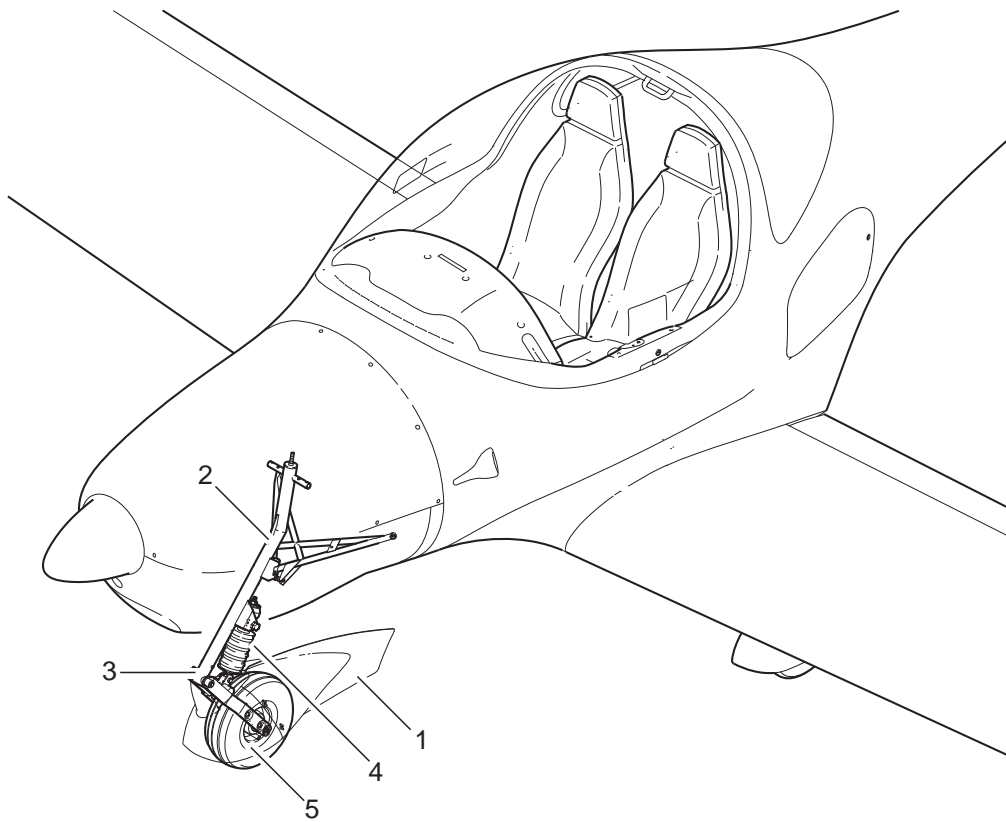


Fig. Item	QTY	Part Number	Nomenclature	Effectivity
5			Main Gear Leg Protection	
	1	AT01-5030-104	leg protection	
- 2	AR	AT01-1960-176	construction glue	
	3	AT01-4530-910	tightening strap	
- 4	AR	AT01-1440-178	leg protection foil (self-adhesive / alternative to items 1-3)	

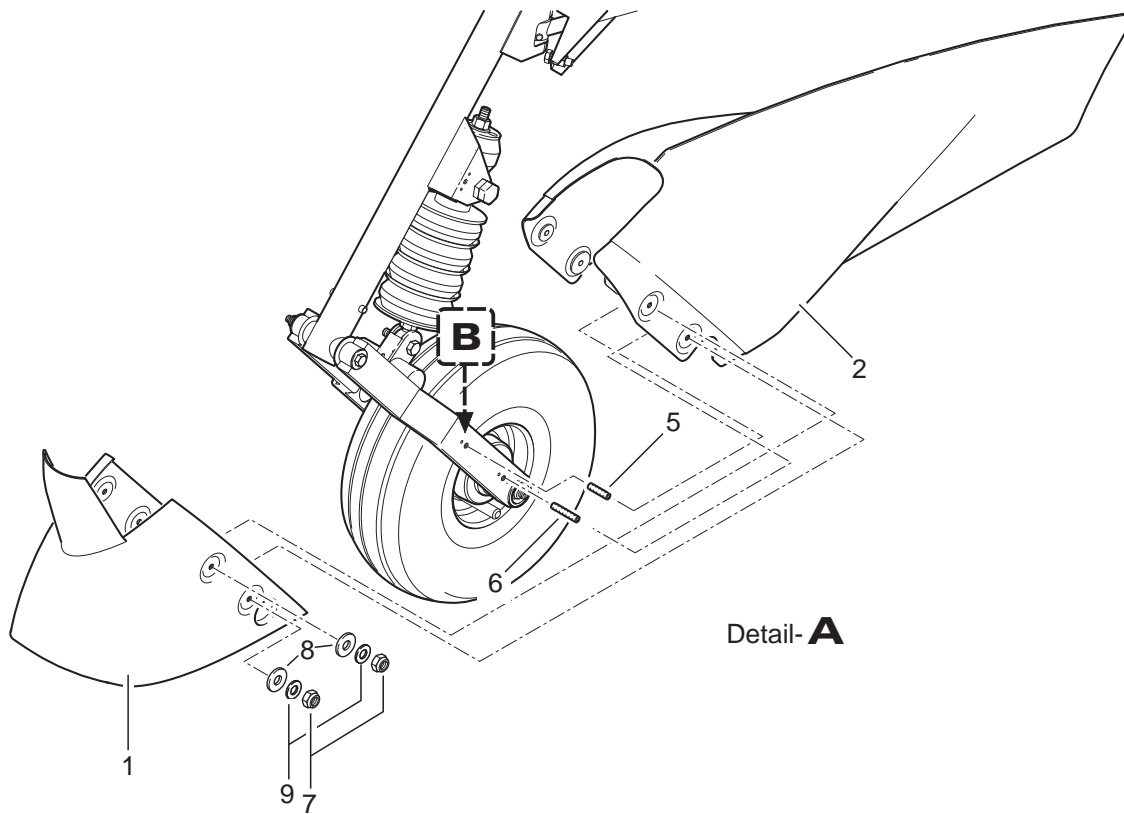
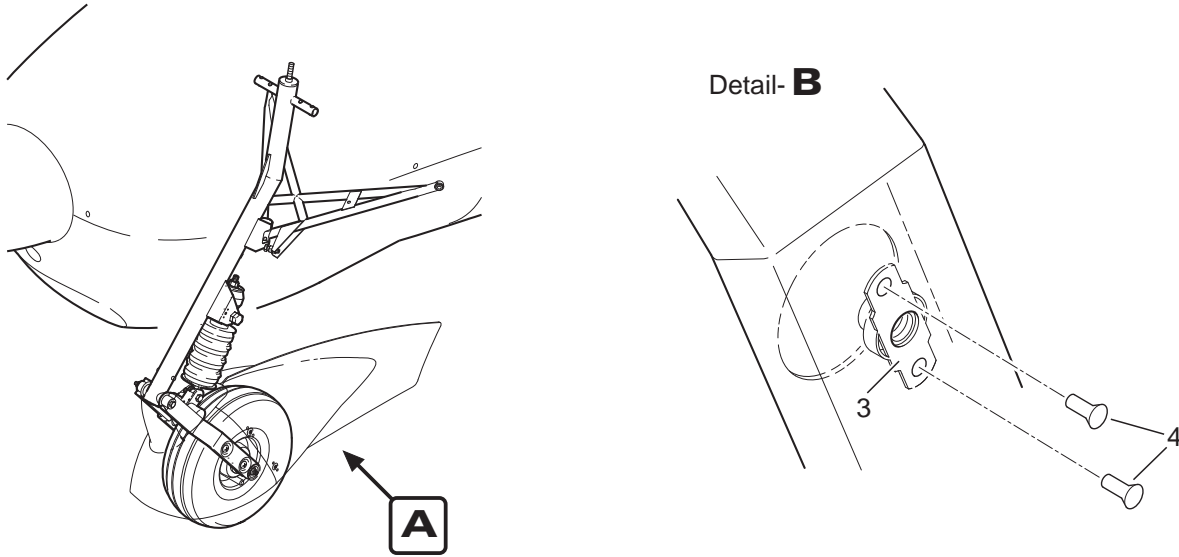
NOSE GEAR



Nose Gear - General
Figure 1

Fig. Item	QTY	Part Number	Nomenclature	Effectivity
1			Nose Gear - General	
	1		Nose Gear Fairing Installation (refer to 32-20-00, figure 2A for details)	"High Speed"
	-1		Nose Gear Fairing Installation (refer to 32-20-00, figure 2B for details)	"Soft Field"
	2		Nose Gear Strut Installation (refer to 32-20-00, figure 3 for details)	
	3		Nose Gear Fork/Damper Installation (refer to 32-20-00, figure 4 for details)	
	4		Damper Assembly (refer to 32-20-00, figure 5 for details)	
	5		Nose Gear Wheel Installation (refer to 32-20-00, figure 6 for details)	

- Item not illustrated



EFFECTIVITY

Aircraft equipped
 with nose gear
 fairing "High Speed"

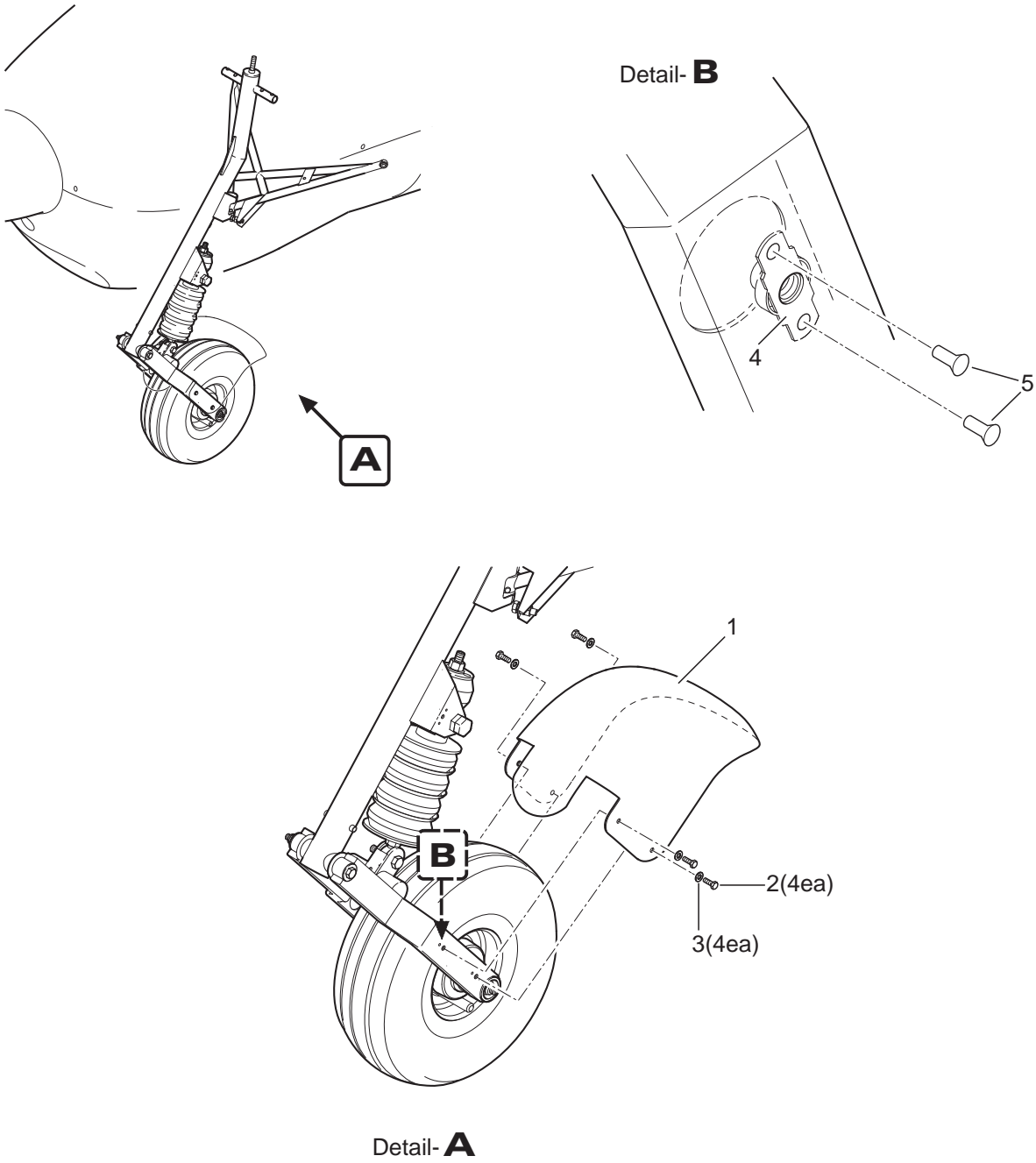
Nose Gear Fairing Installation
 Figure 2A

Fig. Item	QTY	Part Number	Nomenclature	Effectivity
2A			Nose Gear Fairing Installation	"High Speed"
1	1	AT01-5160-007-070	nose gear fairing "High Speed" forepart	1)
		AT01-5160-010-070	nose gear fairing "High Speed" forepart (with cutout for reinforced nose wheel fork AT01-5110-005)	2)
2	1	AT01-5160-008-070	nose gear fairing "High Speed" rear part	1)
3	4	18029679M6	rivet nut (LN 29679 M6)	
4	8	1807337_3,2x6 ES/ES	rivet (ISO 15984 3,2x6 A2/A2)	
<u>Option A: Wheel fairing installation with steel washers</u>				steel washers
5	2	1800913_M06x25	threaded pin (ISO 4026 M6x25)	
6	2	1800913_M06x30	threaded pin (ISO 4026 M6x30)	
7	4	1800985_M6	locknut (ISO 10511 M6)	
8	4	1809021_6,4	washer (ISO 7093 6,4x18)	
9	-	-	-	
<u>Option B: Wheel fairing installation with polyamide washers</u>				PA washers
5	2	1800913_M06x30	threaded pin (ISO 4026 M6x30)	
6	2	1800913_M06x35	threaded pin (ISO 4026 M6x35)	
7	4	1800985_M6	locknut (ISO 10511 M6)	
8	4	1809021_6,4_PA	washer (ISO 7093 6,4x18 polyamide)	
9	4	1800125_6,4	washer (ISO 7089 6,4x12)	
<u>Service Kits & Tools</u>				
		AT01-5160-009-096	nose gear fairing "High Speed" (incl. AT01-5160-007 & AT01-5160-008 & mounting material)	1)

1) The old version of the nose gear fairing is no longer available and replaced by the parts shown on this page. Refer to SI-AT01-017, rev. A.02 or later, for more detailed information.

2) Refer to SB-AT01-037 for installation of the reinforced nose wheel fork.

- Item not illustrated



EFFECTIVITY

Aircraft equipped with nose gear fairing "Soft Field"

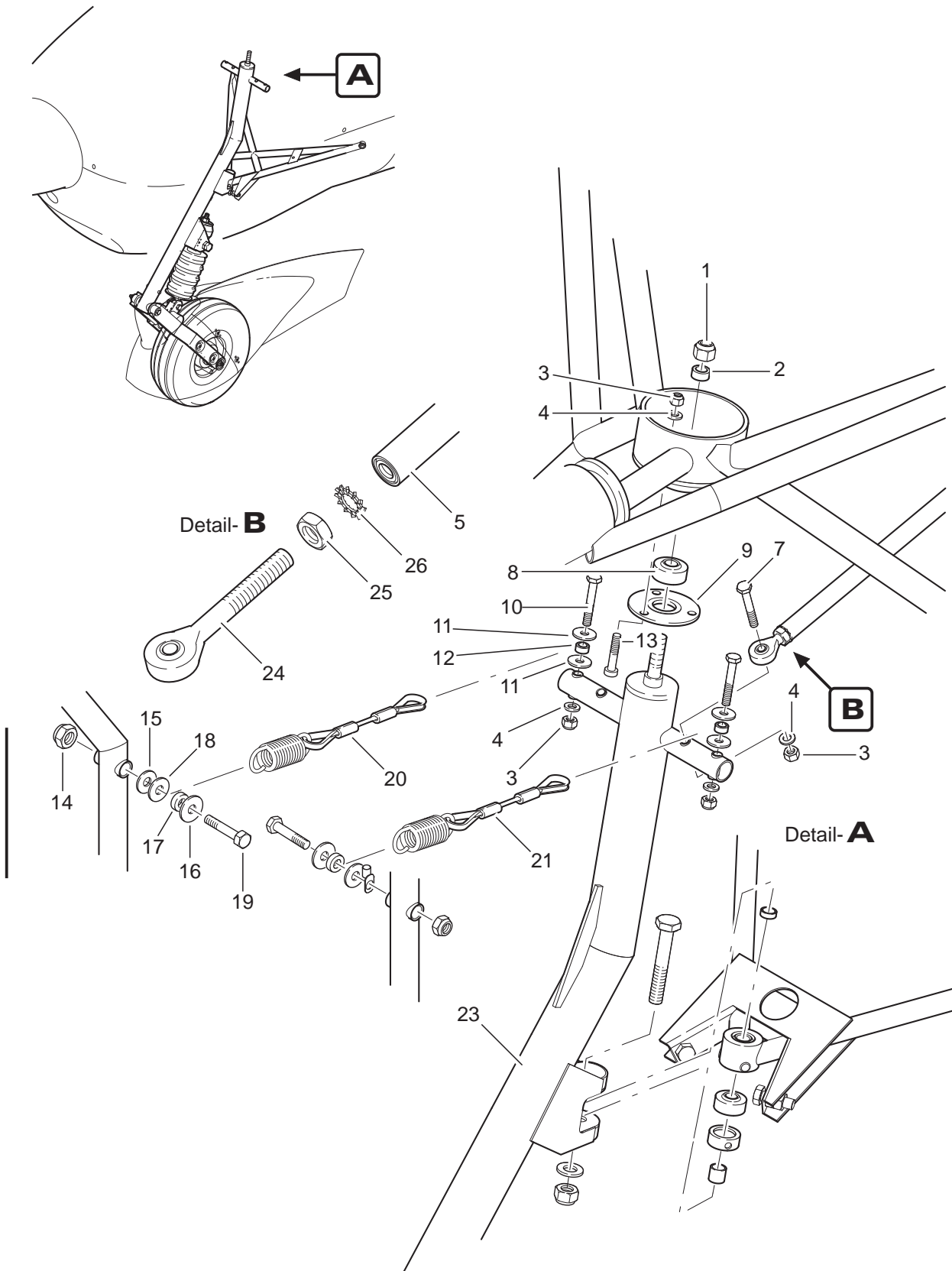
Nose Gear Fairing Installation
Figure 2B

Fig. Item	QTY	Part Number	Nomenclature	Effectivity
2B			Nose Gear Fairing Installation	"Soft Field"
1	1	AT01-5160-006-070	nose gear fairing "Soft Field"	
2	4	1807380_6x20 ULF	bolt (ISO 7380 M6x20 ULF)	
3	4	1809021_6,4_PA	washer (ISO 7093 6,4x18 polyamide)	
4	4	18029679M6	rivet nut (LN 29679 M6)	
5	8	1807337_3,2x6 ES/ES	rivet (ISO 15984 3,2x6 A2/A2)	

Service Kits & Tools

AT01-5160-006-096	nose gear fairing "Soft Field" (incl. mounting material)
-------------------	---

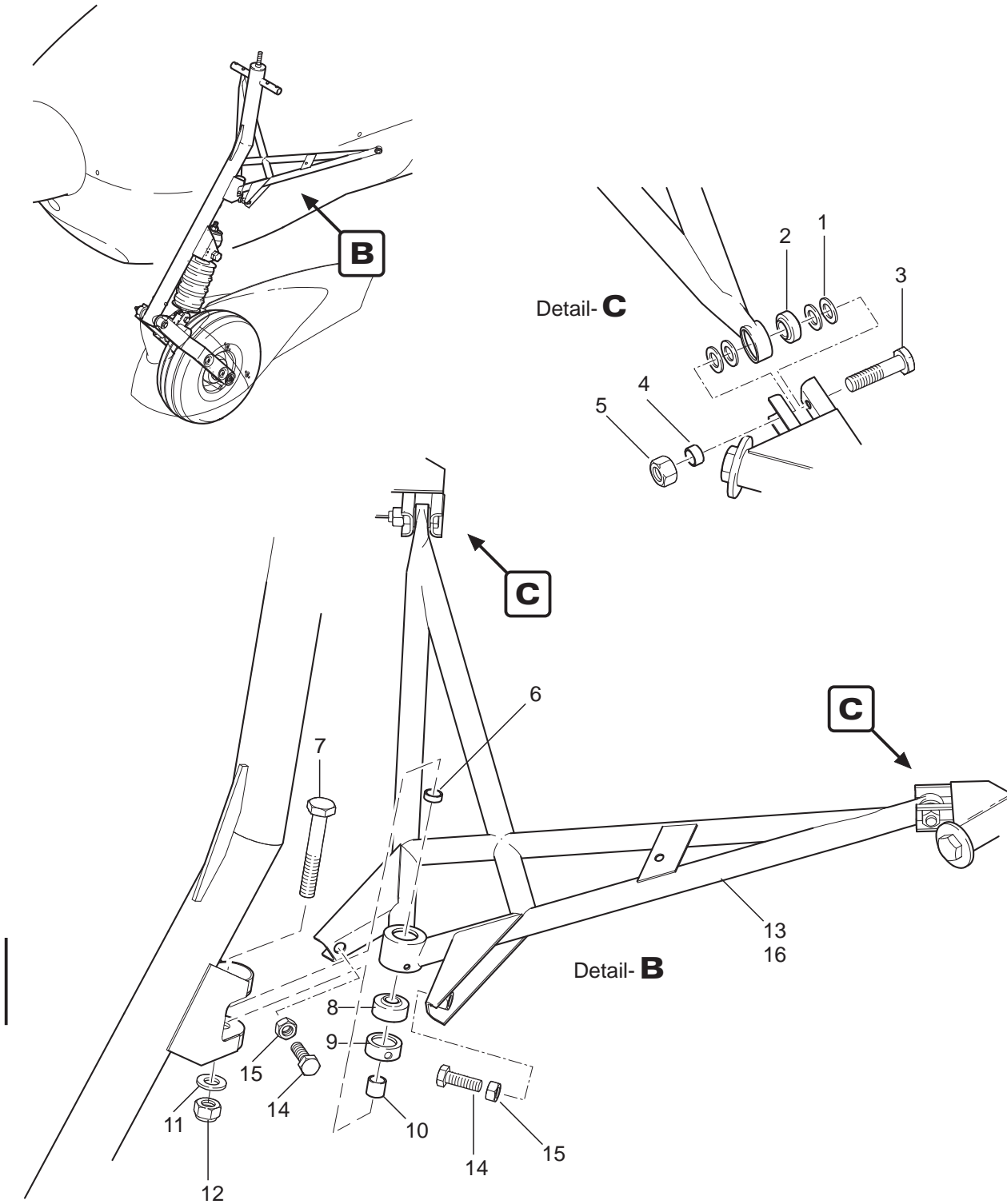
- Item not illustrated



Nose Gear Strut Installation
Figure 3 (1)

Fig. Item	QTY	Part Number	Nomenclature	Effectivity
3 (1)			Nose Gear Strut Installation	
1	1	1800985_M10	locknut (ISO 10511 M10)	
2	1	AT01-5110-120	spacer sleeve (upper bearing)	
3	7	1800985_M6	locknut (ISO 10511 M6)	
4	7	1800125_6,4	washer (ISO 7089 6,4x12)	
5	1	AT01-5120-002	handlebar LH	
-6	1	AT01-5120-004	handlebar RH	
7	2	1809037_06040	bolt (LN 9037 M6x40)	
8	1	AT01-1850-103	bearing	
9	1	AT01-5110-105	bearing ring	
10	2	1809037_06040	bolt (LN 9037 M6x40)	
11	4	1809021_6,4	washer (ISO 7093 6,4x18)	
12	2	AT01-4510-125	spacer sleeve	
13	3	1806912_M6x30	bolt (DIN 6912 M6x30 8.8)	
14	2	1800985_M8	locknut (ISO 10511 M8)	
15	1	1800125_8,4	washer (ISO 7089 8,4x16)	
16	2	1809021_8,4	washer (ISO 7093 8,4x24)	
17	2	AT01-5120-102	spacer sleeve	
18	2	AT01-4540-147	washer	
19	2	1800931_M8x40	bolt (ISO 4014 M8x40 8.8)	
20	1	AT01-5120-008	centering cable RH (incl. centering spring)	
21	1	AT01-5120-007	centering cable LH (incl. centering spring)	
22	-	-	-	
23	1	AT01-5110-001	nose gear leg	
24	2	AT01-1850-120	swivel head	
25	2	1800936_M8	nut (ISO 4035 M8)	
26	2	1806797_8,4	tooth washer (DIN 6797 8,4x15)	

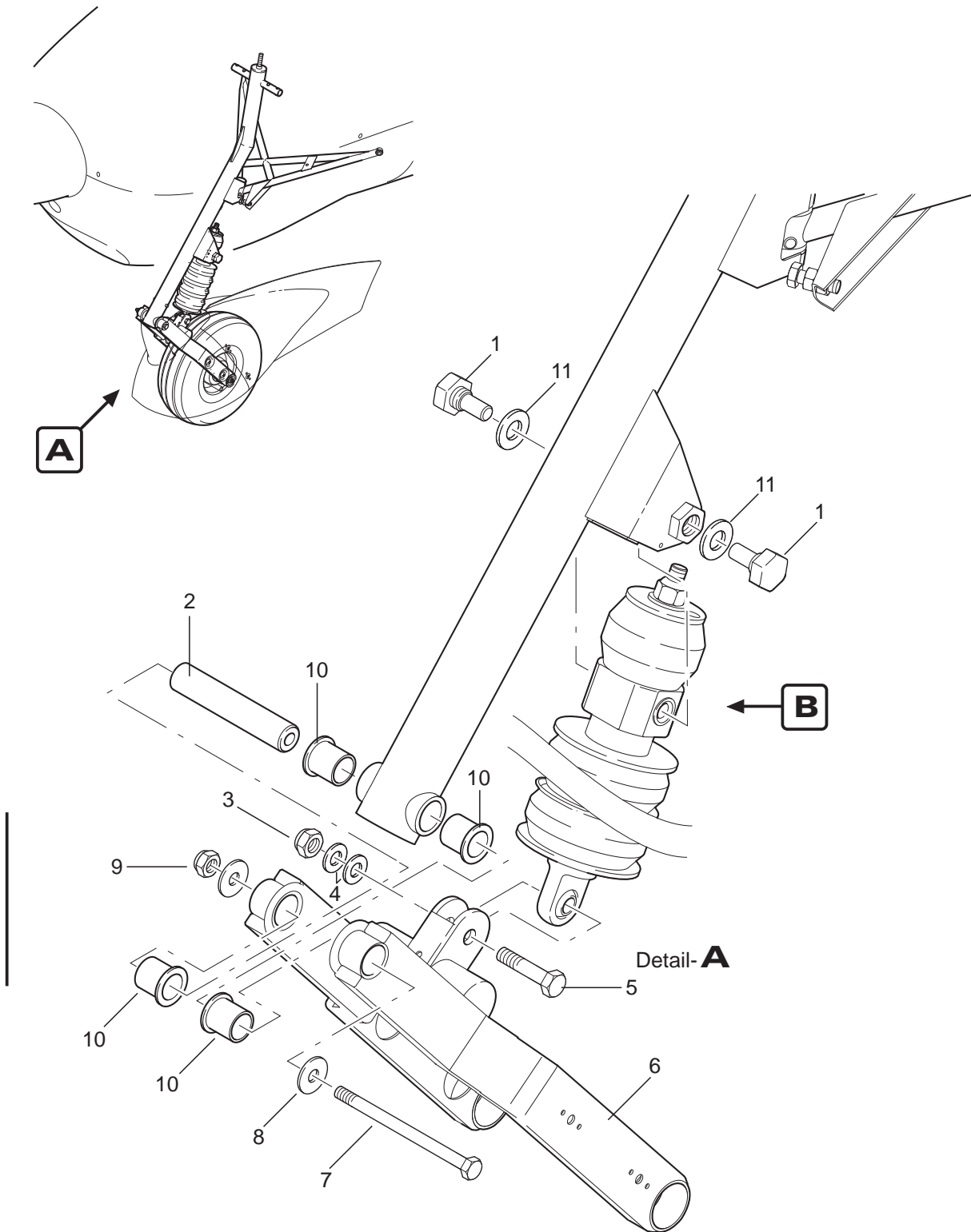
- Item not illustrated



Nose Gear Strut Installation
Figure 3 (2)

Fig. Item	QTY	Part Number	Nomenclature	Effectivity
3 (2)			Nose Gear Strut Installation	
1	8	1800988_8/1	adjusting washer (DIN 988 8x14x1)	
2	2	AT01-1850-104	bearing	
3	2	1809037_08032	bolt (LN 9037 M8x32)	
4	2	AT01-4510-127	spacer sleeve	
5	2	1800985_M8	locknut (ISO 10511 M8)	
6	1	AT01-5130-101	upper bearing sleeve	
7	1	1809037_10048	bolt (LN 9037 M10x48)	
8	1	AT01-1850-103	bearing	
9	1	AT01-5130-103	bearing ring	
	3	1807337_4,0x6 ES/ES	rivet (ISO 15984 A 4x6 A2/A2)	
10	1	AT01-5130-100	lower bearing sleeve	
11	1	1800125_10,5	washer (ISO 7089 10,5x20)	
12	1	1800985_M10	locknut (ISO 10511 M10)	
13	1	AT01-5130-001	nose gear leg support brace	
14	2	1800933_M8x25	bolt (ISO 4017 M8x25 8.8)	
15	2	1800934_M8	nut (ISO 4032 M8)	
16	1	AT01-5130-003	nose gear leg support brace assembly (including items 1-5, 8, 9, 13-15)	

- Item not illustrated

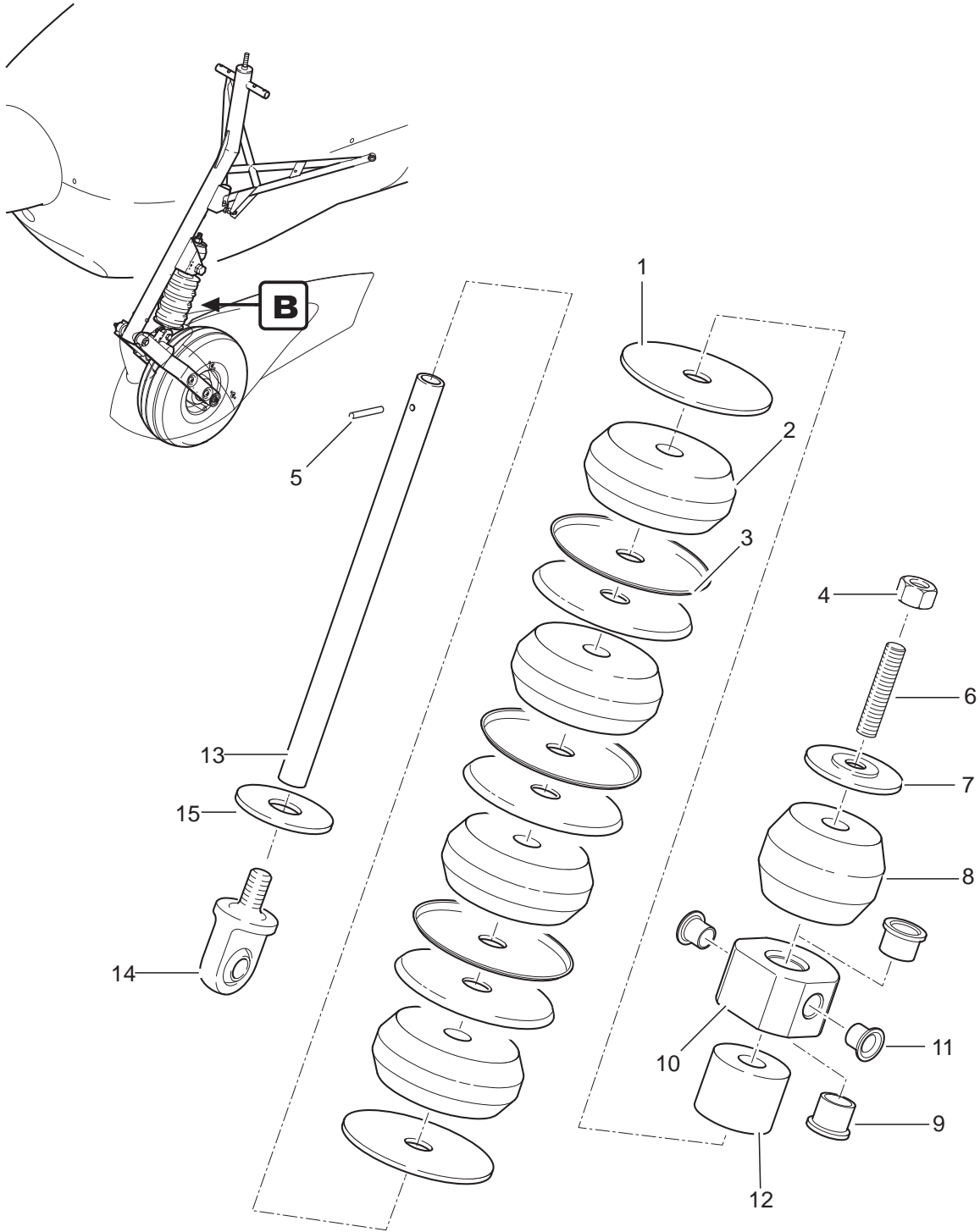


Nose Gear Fork / Damper Installation
Figure 4

Fig. Item	QTY	Part Number	Nomenclature	Effectivity
4			Nose Gear Fork / Damper Installation	
1	2	AT01-5110-111	bolt	
2	1	AT01-5110-102	nose gear bearing shaft	
3	1	1800985_M10	locknut (ISO 10511 M10)	
4	2	1800125_10,5	washer (ISO 7089 10,5x20)	
5	1	1809037_10040	bolt (LN 9037 M10x40)	
6	1	AT01-5110-002	nose gear fork	
		AT01-5110-005	nose gear fork (reinforced)	1)
7	1	1800931_M8x110	bolt (ISO 4014 M8x110 8.8)	
8	2	1809021_8,4	washer (ISO 7093 8,4x24)	
9	1	1800985_M8	locknut (ISO 10511 M8)	
10	4	1850022	collar bushing	
11	2	1800125_15	washer (ISO 7089 15x28)	

1) Refer to SB-AT01-037 for installation of the reinforced nose wheel fork.

- Item not illustrated



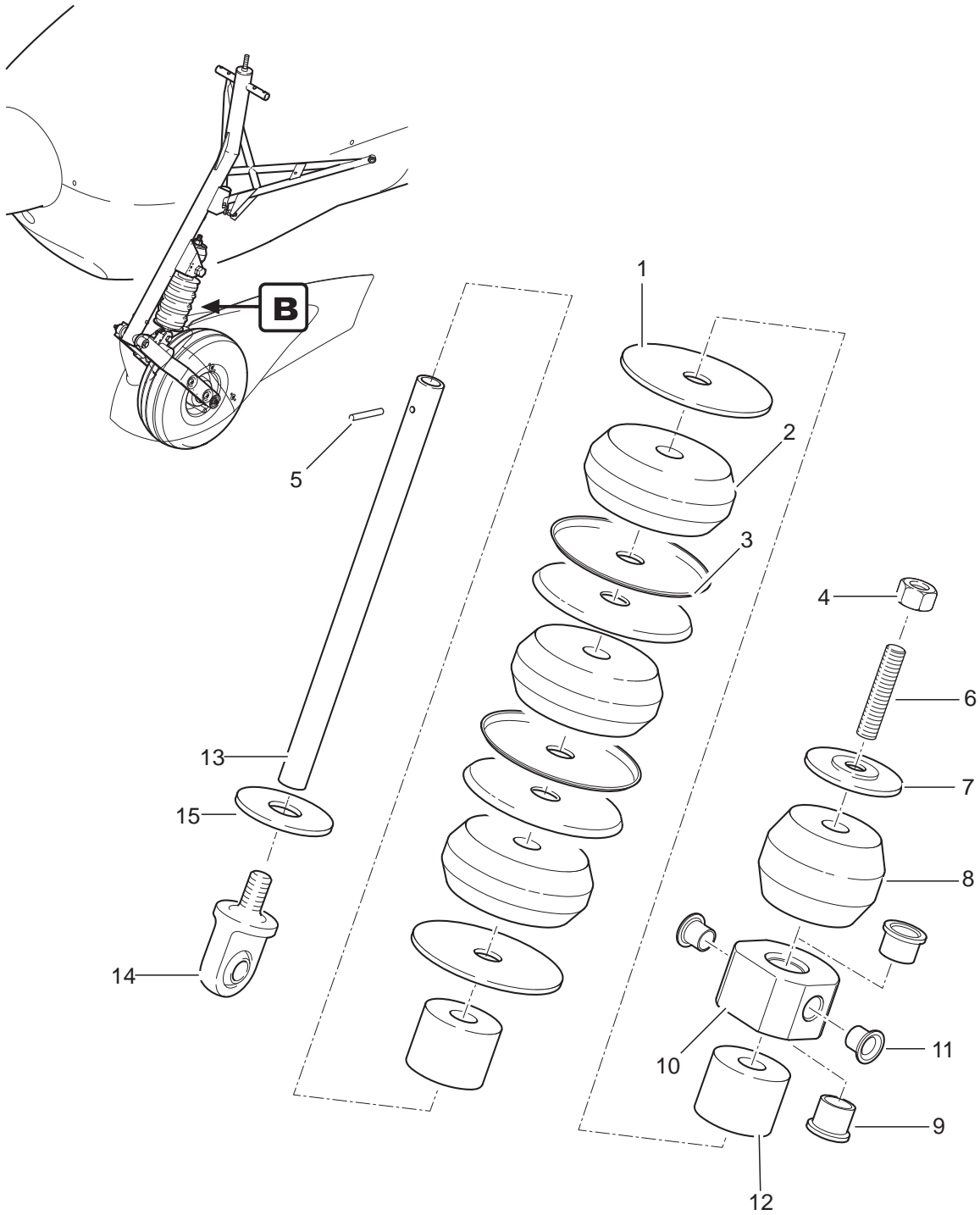
Detail- **B**

Fig. Item	QTY	Part Number	Nomenclature	Effectivity
5A			Damper Assembly	
1	2	AT01-5140-102	damper plate	
2	4	AT01-5140-104	main rubber element	
3	6	AT01-5140-103	plate	
4	1	1800985_M10	locknut (ISO 10511 M10)	
5	1	1801473 FST 3x12	grooved pin (DIN 1473 3x12)	
6	1	AT01-5140-106	threaded insert	
7	1	AT01-5140-113	pressure disc	
8	1	AT01-5140-105	rebound rubber element	
9	2	1850033	collar bushing	
10	1	AT01-5140-108	glide element	
11	2	1850013	collar bushing	
12	1	AT01-5140-109	spacer	
13	1	AT01-5140-101	guide tube	
14	1	AT01-5140-005	swivel head	
15	1	AT01-5140-112	pressure disc	

Service Kits & Tools

AT01-5140-001-096	damper assembly (4 rubber elements / including items 1-15)
-------------------	--

- Item not illustrated



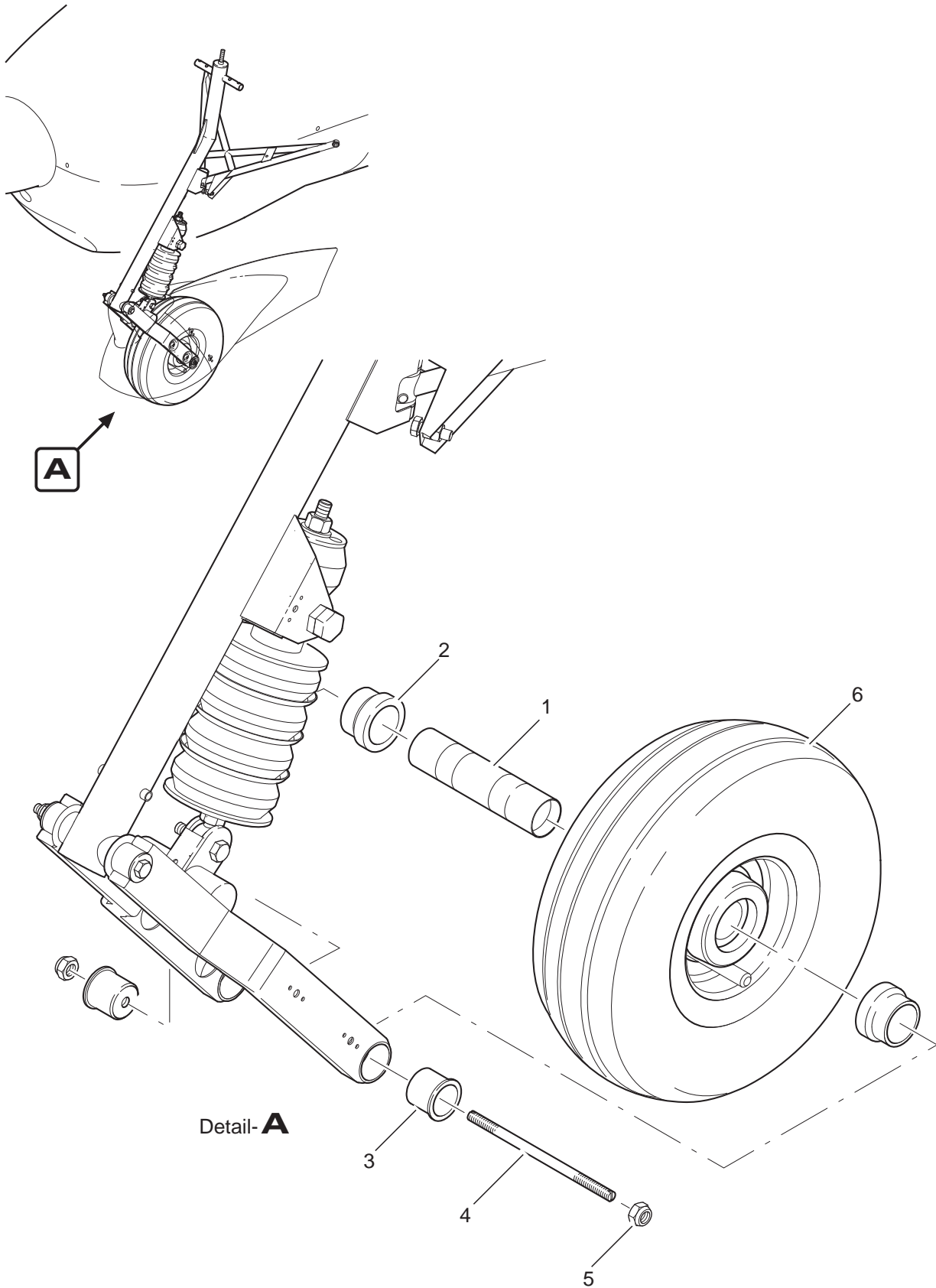
Detail- **B**

Fig. Item	QTY	Part Number	Nomenclature	Effectivity
5B			Damper Assembly	SB-AT01-037
1	2	AT01-5140-114	damper plate	
2	3	AT01-5140-104	main rubber element	
3	4	AT01-5140-103	plate	
4	1	1800985_M10	locknut (ISO 10511 M10)	
5	1	1801473 FST 3x12	grooved pin (DIN 1473 3x12)	
6	1	AT01-5140-106	threaded insert	
7	1	AT01-5140-113	pressure disc	
8	1	AT01-5140-105	rebound rubber element	
9	2	1850033	collar bushing	
10	1	AT01-5140-108	glide element	
11	2	1850013	collar bushing	
12	2	AT01-5140-109	spacer	
13	1	AT01-5140-101	guide tube	
14	1	AT01-5140-005	swivel head	
15	1	AT01-5140-112	pressure disc	

Service Kits & Tools

AT01-5140-006 damper assembly (3 rubber elements / including items 1-15)

- Item not illustrated



Nose Gear Wheel Installation
Figure 6

Fig. Item	QTY	Part Number	Nomenclature	Effectivity
6			Nose Gear Wheel Installation	
	1	AT01-5150-100	nose landing gear axle	
	2	AT01-5150-102	spacer sleeve	
	2	AT01-5150-101	bearing race	
		AT01-5150-131	bearing race (optional)	
	4	AT01-5150-103	axle bolt	
	5	1800980_M08_10	locknut (ISO 7042 M8 class 10)	
	6	AT01-5150-003	nose wheel Cleveland (incl. rim and tire)	Cleveland
		AT01-5150-004	nose wheel Grove (incl. rim and tire)	Grove

- Item not illustrated

WHEELS AND BRAKES

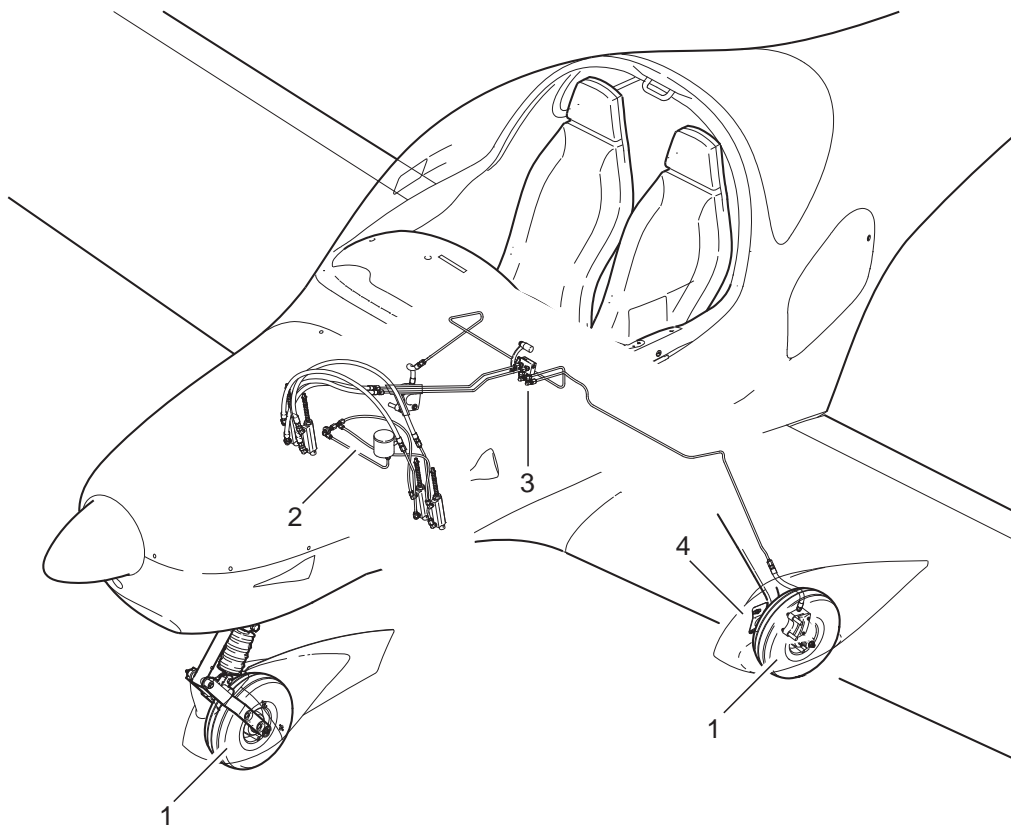
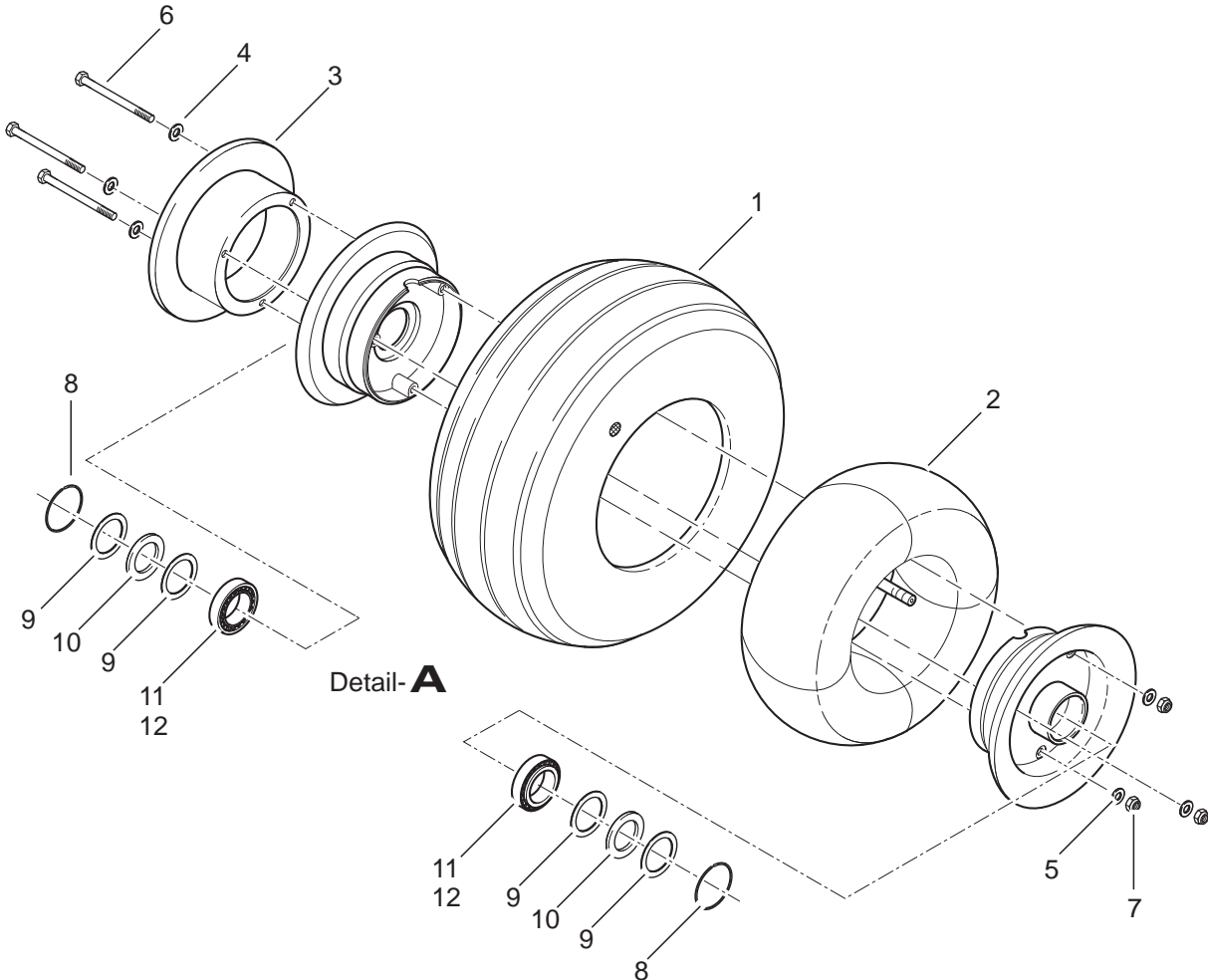
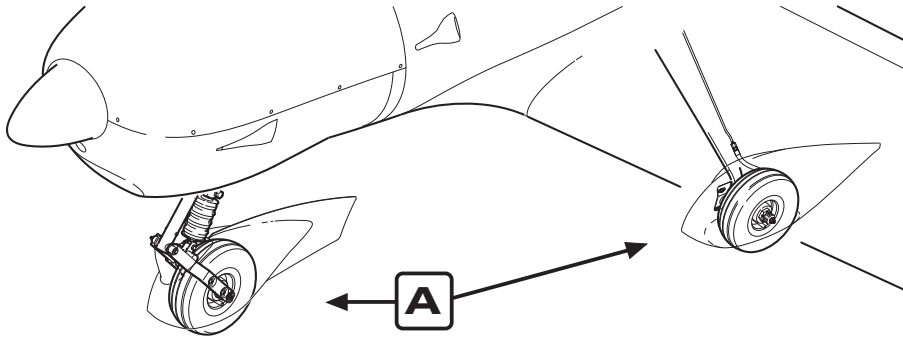


Fig. Item	QTY	Part Number	Nomenclature	Effectivity
1			Wheels & Brakes - General	
	1		Wheel Assembly (refer to 32-40-00, figure 2 for details)	
	2		Brake System Installation - Front (refer to 32-40-00, figure 3 for details)	
	3		Brake System Installation - Rear (refer to 32-40-00, figure 4 for details)	
	4		Brake Caliper Assembly (refer to 32-40-00, figure 5 for details)	

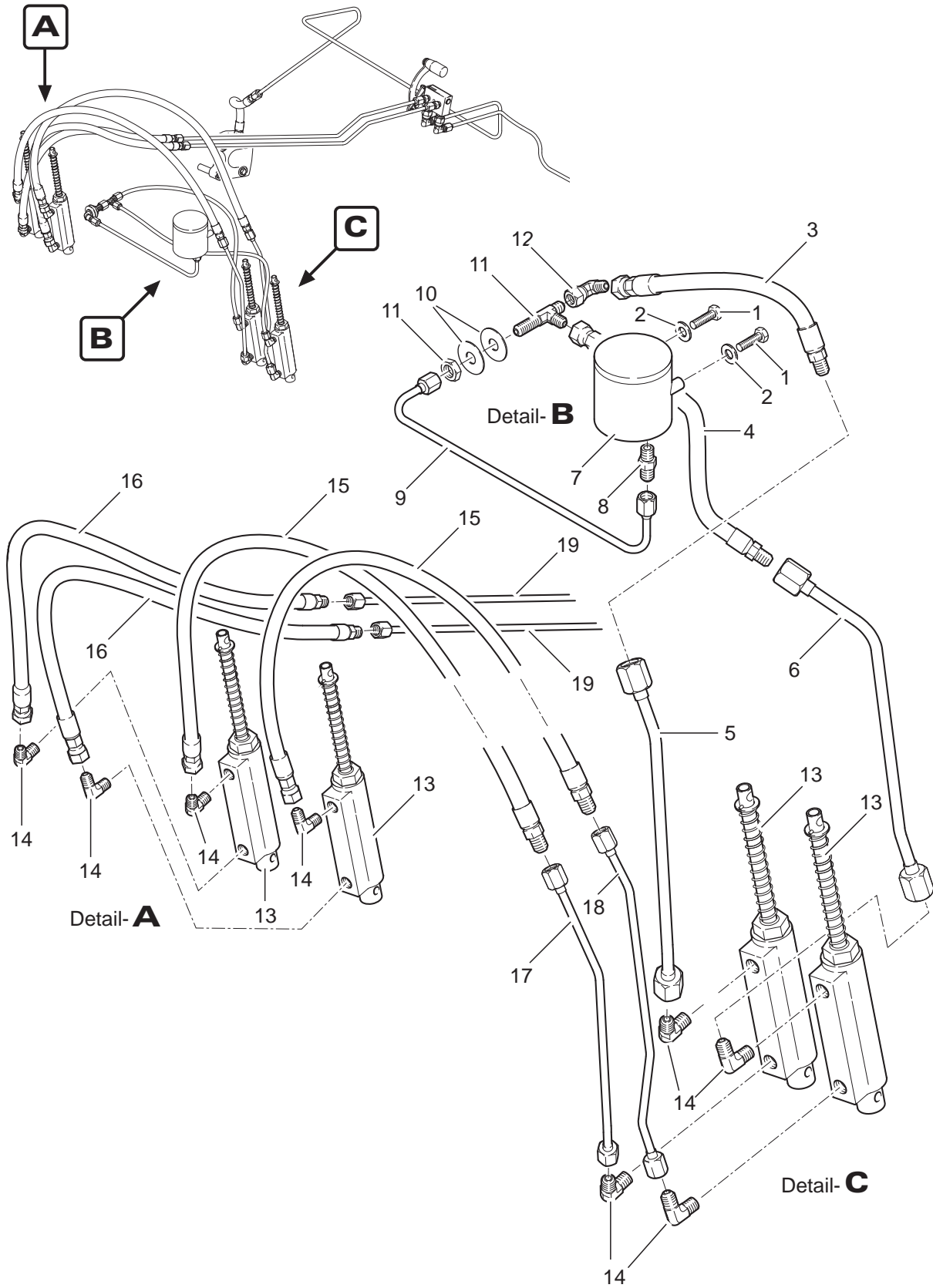
- Item not illustrated



Wheel Assembly
Figure 2

Fig. Item	QTY	Part Number	Nomenclature	Effectivity
2			Wheel Assembly	
1	1	AT01-4590-102	tire Michelin	Michelin
		AT01-4590-103	tire Goodyear	Goodyear
2	1	AT01-4590-112	tube Michelin (use with Michelin tires only)	Michelin
		AT01-4590-113	tube Goodyear (use with Goodyear tires only)	Goodyear
		<u>Cleveland wheels</u>		Cleveland
3	1	AT01-5020-100	brake disc	main wheel
4	3	AT01-5020-357	washer (AN960-416L)	nose wheel
5	3	AT01-5020-357	washer (AN960-416L)	
6	3	AT01-5020-355	bolt (AN4-22A)	
7	3	AT01-5020-356	nut (MS21042-4)	
8	2	155-00200	retaining ring	
9	4	153-00800	ring grease seal	
10	2	154-00600	felt grease seal	
11	2	214-00300	cup bearing	main wheel
		AT01-5150-200	cup bearing	nose wheel
12	2	214-00400	cone bearing	main wheel
		AT01-5150-201	cone bearing	nose wheel
		<u>Grove wheels</u>		Grove
3	1	AT01-5020-302	brake disc	main wheel
4	3	AT01-5020-357	washer (AN960-416L)	nose wheel
5	3	AT01-5020-366	washer (AN960-416)	main wheel
		AT01-5020-357	washer (AN960-416L)	nose wheel
6	3	AT01-5020-365	bolt (AN4-23A)	main wheel
		AT01-5020-355	bolt (AN4-22A)	nose wheel
7	3	AT01-5020-370	nut (MS21044-N4)	
8	2	AT01-5020-362	retaining ring	
9	4	AT01-5020-363	ring grease seal	
10	2	AT01-5020-364	felt grease seal	
11	2	AT01-5150-200	cup bearing	
12	2	AT01-5150-201	cone bearing	
		<u>Service Kits & Tools</u>		
		AT01-5040-001	main wheel Cleveland (incl. rim, brake disc, tire & tube)	Cleveland
		AT01-5150-003	nose wheel Cleveland (incl. rim, tire & tube)	Cleveland
		AT01-5040-003	main wheel Grove (incl. rim, brake disc, tire & tube)	Grove
		AT01-5150-004	nose wheel Grove (incl. rim, tire & tube)	Grove

- Item not illustrated



EFFECTIVITY

100 - 102

Brake System Installation - Front
Figure 3A

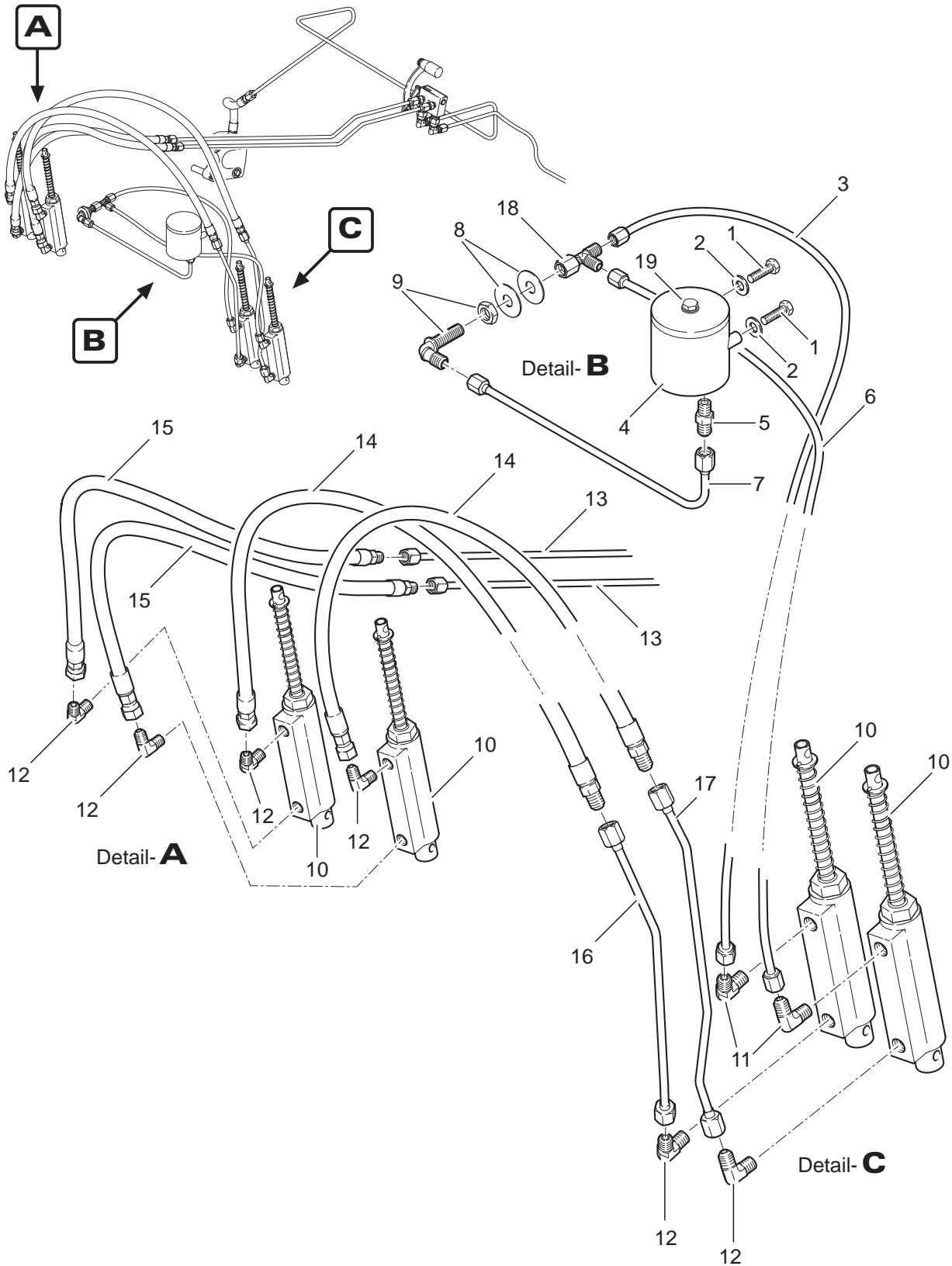
32-40-00

Page 6A

25.11.22

Fig. Item	QTY	Part Number	Nomenclature	Effectivity
3A			Brake System Installation - Front	100 - 102
	1	2	1800933_M6x20	bolt (ISO 4017 M6x20 8.8)
	2	2	1809021_6,4	washer (ISO 7093 6,4x18)
	3	1	AT01-5020-005	brake hose RH
	4	1	AT01-5020-006	brake hose LH
	5	1	AT01-5020-007	brake pipe RH
	6	1	AT01-5020-008	brake pipe LH
	7	1	AT01-5020-102	brake fluid reservoir
	8	1	AT01-4520-235	fitting
	9	1	AT01-5020-002	brake pipe
	10	2	1809022_12x35	washer (DIN 9022 12x35)
	11	1	AT01-4520-225	bulkhead T-fitting
	12	1	AT01-4520-160	elbow
	13	4	AT01-6040-106	master brake cylinder Cleveland
	14	8	AT01-4520-204	elbow
	15	2	AT01-5020-012	brake hose
	16	2	AT01-5020-013	brake hose
	17	1	AT01-5020-011	brake pipe RH
	18	1	AT01-5020-009	brake pipe LH
	19	2	AT01-5020-015	brake pipe

- Item not illustrated



EFFECTIVITY

103 - 299

Brake System Installation - Front
Figure 3B

32-40-00

Page 6B

25.11.22

Fig. Item	QTY	Part Number	Nomenclature	Effectivity
3B			Brake System Installation - Front	103 - 299
1	2	1800933_M6x20	bolt (ISO 4017 M6x20 8.8)	
2	2	1809021_6,4	washer (ISO 7093 6,4x18)	
3	1	AT01-4520-420	PTFE hose	
4	1	AT01-5020-102	brake fluid reservoir	
5	1	AT01-4520-235	fitting	
6	1	AT01-4520-420	PTFE hose	
7	1	AT01-5020-002	brake line	
8	2	1809022_12x35	washer (DIN 9022 12x35)	
9	1	AT01-4520-208	bulkhead elbow	
10	4	AT01-6040-106	brake master cylinder Cleveland	103 - 135
- 10	4	AT01-6040-138	brake master cylinder Matco (optional)	136 - 299
11	2	AT01-4520-207	elbow	
12	6	AT01-4520-204	elbow	
13	2	AT01-5020-015	brake line	
14	2	AT01-5020-012	brake hose	
15	2	AT01-5020-013	brake hose	
16	1	AT01-5020-011	brake line RH	
17	1	AT01-5020-009	brake line LH	
18	1	AT01-4520-232	T-fitting	
19	1	AT01-5020-623	sealing washer	

- Item not illustrated

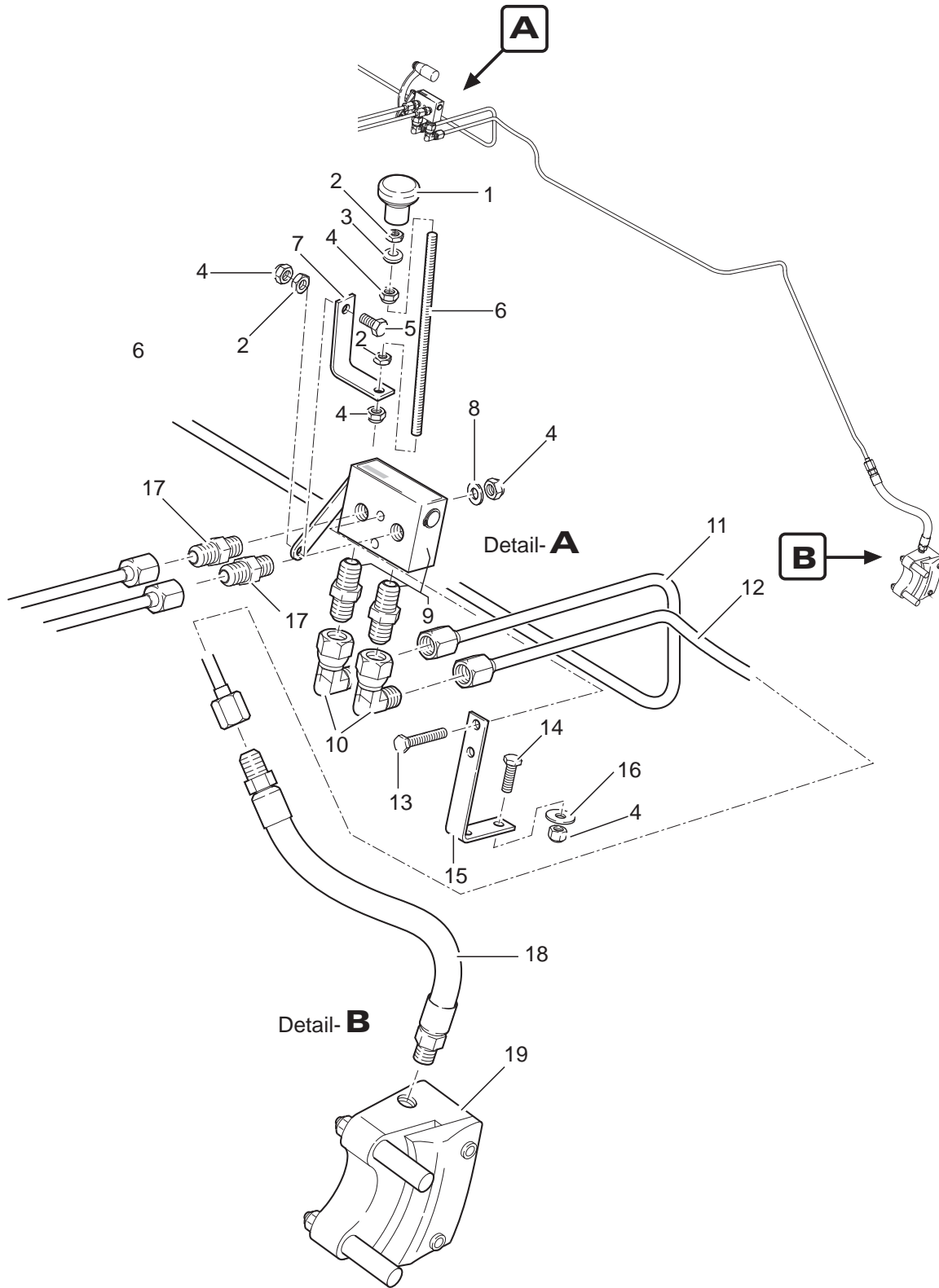


Fig. Item	QTY	Part Number	Nomenclature	Effectivity
4A			Brake System Installation - Rear	101 - 122
1	1	AT01-1860-611	knob	
2	3	1800439_M5	nut (ISO 4035 M5)	
3	1	AT01-4530-230	cable bushing	
4	7	1800985_M5	locknut (ISO 10511 M5)	
5	1	1800933_M5x14	bolt (ISO 4017 M5x14 8.8)	
6	1	AT01-5020-105	pull rod	
7	1	AT01-5020-106 A.01	fixing bracket	100 - 103
	1	AT01-5020-106 A.02	fixing bracket	104 - 122
8	2	1800125_5,3	washer (ISO 7089 5,3x10)	
9	1	AT01-5020-020	parking brake valve (incl. items 10 & 17)	
10	2	AT01-4520-160	elbow	
11	1	AT01-5020-017	brake pipe RH	
12	1	AT01-5020-016	brake pipe LH	
13	2	1800933_M5x30	bolt (ISO 4017 M5x30 8.8)	
14	2	1800933_M5x16	bolt (ISO 4017 M5x16 8.8)	
15	1	AT01-5020-103	fixing bracket	
16	2	1809021_5,3	washer (ISO 7093 5,3x15)	
17	2	AT01-4520-235	fitting	
18	2	AT01-5020-022	brake hose	
19	2	AT01-5020-004	brake caliper Cleveland	

- Item not illustrated

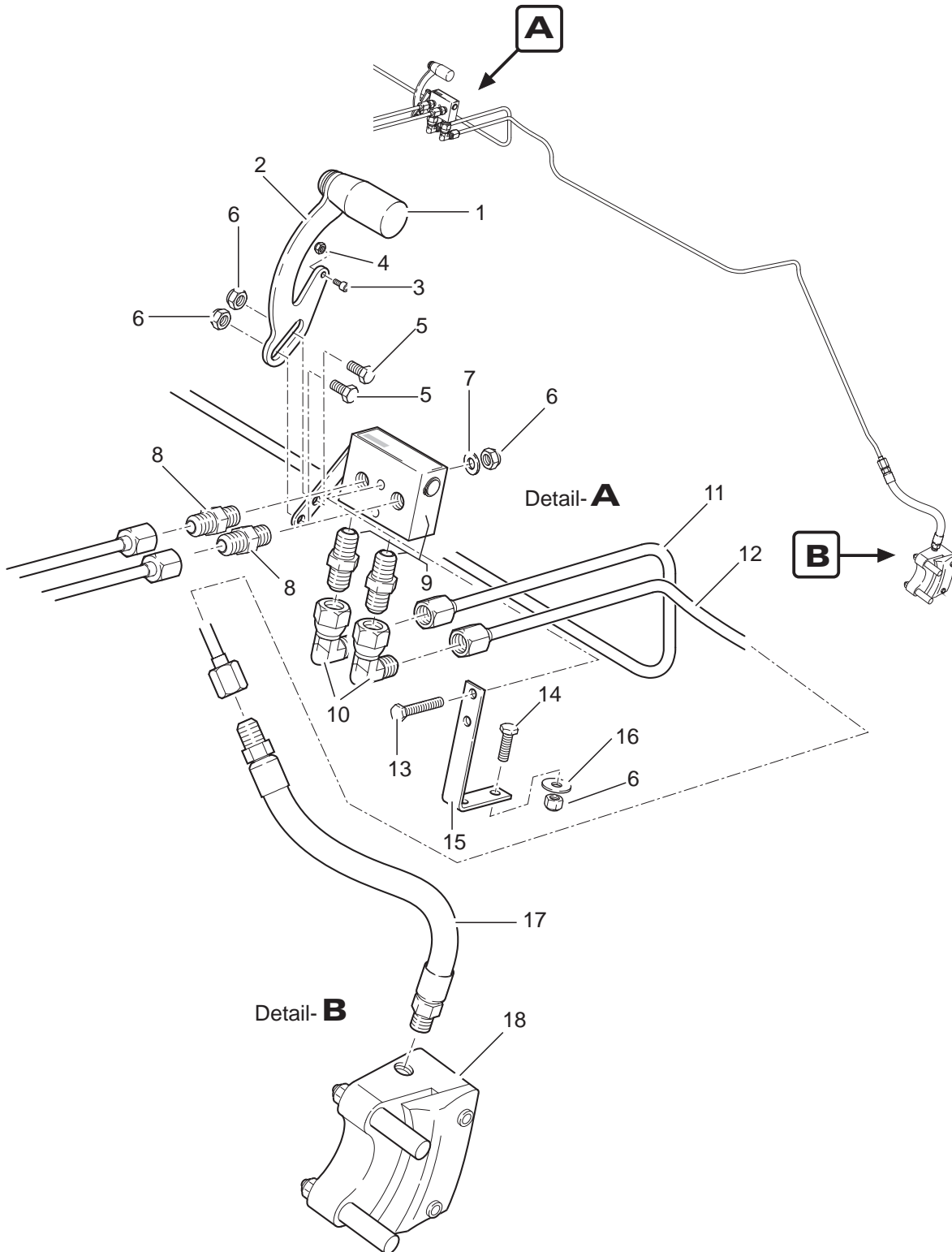


Fig. Item	QTY	Part Number	Nomenclature	Effectivity
4B			Brake System Installation - Rear	123 - 299
1	1	AT01-1860-612	knob	
2	1	AT01-5020-106	lever	
3	1	AT01-1860-111	plunger M4x9	
4	1	1800985_M4	locknut (ISO 10511 M4)	
5	2	1800933_M5x12	bolt (ISO 4017 M5x12 8.8)	
6	6	1800985_M5	locknut (ISO 10511 M5)	
7	2	1800125_5,3	washer (ISO 7089 5,3x10)	
8	2	AT01-4520-235	fitting	
9	1	AT01-5020-153	parking brake valve	
10	2	AT01-4520-160	elbow	
11	1	AT01-5020-017	brake line RH	
12	1	AT01-5020-016	brake line LH	
13	2	1800933_M5x30	bolt (ISO 4017 M5x30 8.8)	
14	2	1800933_M5x16	bolt (ISO 4017 M5x16 8.8)	
15	1	AT01-5020-103	fixing bracket	
16	2	1809021_5,3	washer (ISO 7093 5,3x15)	
17	2	AT01-5020-022	brake hose	
18	2	AT01-5020-004	brake caliper Cleveland	123 - 211
	2	AT01-5020-340	brake caliper Grove	212 - 299

- Item not illustrated

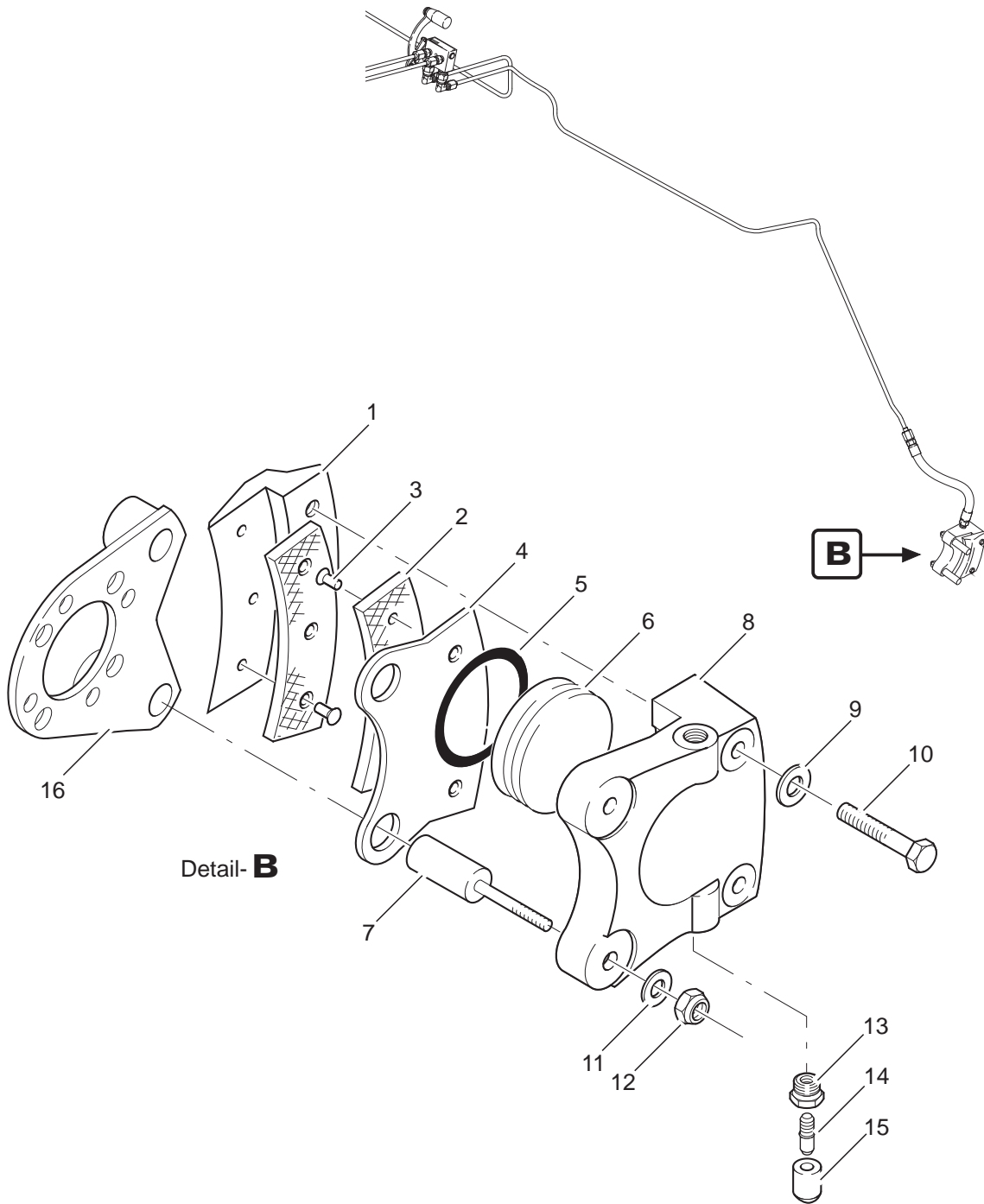


Fig. Item	QTY	Part Number	Nomenclature	Effectivity
5			Brake Caliper Assembly	
		<u>Cleveland Calipers</u>		Cleveland
1	1	AT01-5020-611	back plate	
2	2	AT01-5020-353	lining	
3	6	AT01-5020-354	rivet	
4	1	AT01-5020-610	pressure plate	
5	1	AT01-5020-600	O-ring	
6	1	AT01-5020-612	piston	
7	2	AT01-5020-601	anchor bolt	
8	1	AT01-5020-603	cylinder	
9	2	AT01-5020-604	washer	
10	2	AT01-5020-355	bolt (AN4H15A)	
11	2	AT01-5020-605	washer	
12	2	AT01-5020-356	nut anchor (MS21044-N4)	
13	1	AT01-5020-607	seat (bleeder)	
14	1	AT01-5020-608	screw (bleeder)	
15	1	AT01-5020-609	cap (bleeder)	
16	1	AT01-5020-351	torque plate LH	
- 17	1	AT01-5020-352	torque plate RH	
		<u>Grove Calipers</u>		Grove
1	1	AT01-5020-618	back plate	
2	2	AT01-5020-360	lining	
3	6	AT01-5020-361	rivet	
4	1	AT01-5020-619	pressure plate	
5	1	AT01-5020-622	O-ring	
6	1	AT01-5020-617	piston	
7	2	AT01-5020-620	torque pin	
8	1	AT01-5020-621	cylinder	
9	2	AT01-5020-366	washer	
10	2	AT01-5020-367	bolt (AN4H15A)	
11	2	AT01-5020-368	washer	
12	2	AT01-5020-369	nut anchor (MS21044-N4)	
13	1	AT01-5020-615	seat (bleeder)	
14	1	AT01-5020-615	screw (bleeder)	
15	1	AT01-5020-616	cap (bleeder)	
16	1	AT01-5020-358	torque plate LH	
- 17	1	AT01-5020-359	torque plate RH	

- Item not illustrated



Aviation by Excellence GmbH

AQUILA AT01
ILLUSTRATED PARTS CATALOG

CHAPTER 33

LIGHTS



TABLE OF CONTENTS

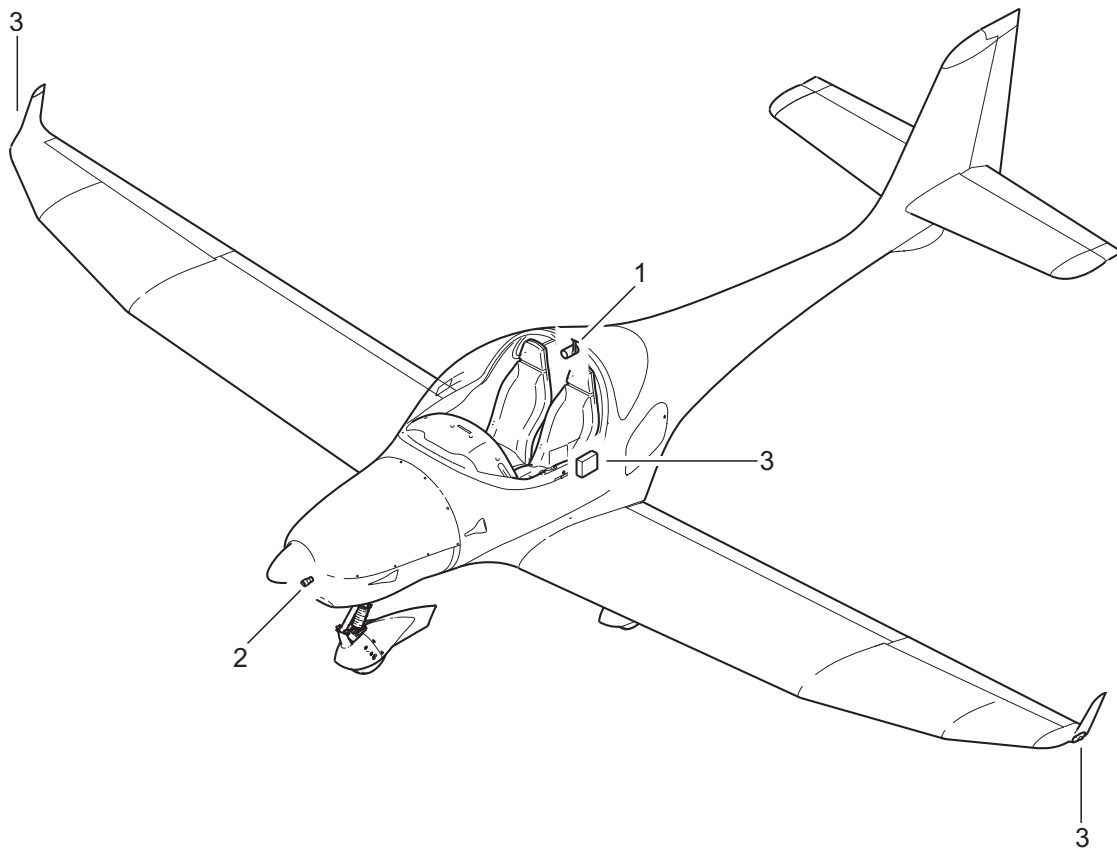
<u>Title</u> <u>Subject</u>	<u>Chapter</u> <u>Section</u> <u>Subject</u>	<u>Figure</u>	<u>Page</u>	<u>Effectivity</u>
LIGHTS GENERAL	33-00-00		1	
Lights - General	33-00-00	1	2	
INTERIOR LIGHTS	33-10-00		1	
Spot Light Installation	33-10-00	1	2	
EXTERIOR LIGHTS	33-40-00		1	
Landing Light Installation	33-40-00	1	2	190 - 999
Landing Light Installation	33-40-00	1A	2A	101 - 189
NAV/Strobe Light Installation	33-40-00	2	4	
NAV/Strobe Light Installation	33-40-00	2A	4A	A/C with Whelen NAV/Strobe lights
NAV/Strobe Light Installation	33-40-00	2B	4B	A/C with Aveo NAV/Strobe lights



Aviation by Excellence GmbH

AQUILA AT01
ILLUSTRATED PARTS CATALOG

LIGHTS
GENERAL





Aviation by Excellence GmbH

AQUILA AT01

ILLUSTRATED PARTS CATALOG

Fig. Item	QTY	Part Number	Nomenclature	Effectivity
1			Lights - General	
	1		Spot Light Installation, (Refer to 33-10-00, Figure 1 for Details)	
	2		Landing Light Installation, (Refer to 33-40-00, Figure 1 for Details)	
	3		NAV/Strobe Light Installation, (Refer to 33-40-00, Figure 2 for Details)	

- Item not illustrated

Lights - General
Figure 1

33-00-00

Page 3

15.02.13



Aviation by Excellence GmbH

AQUILA AT01
ILLUSTRATED PARTS CATALOG

INTERIOR LIGHTS

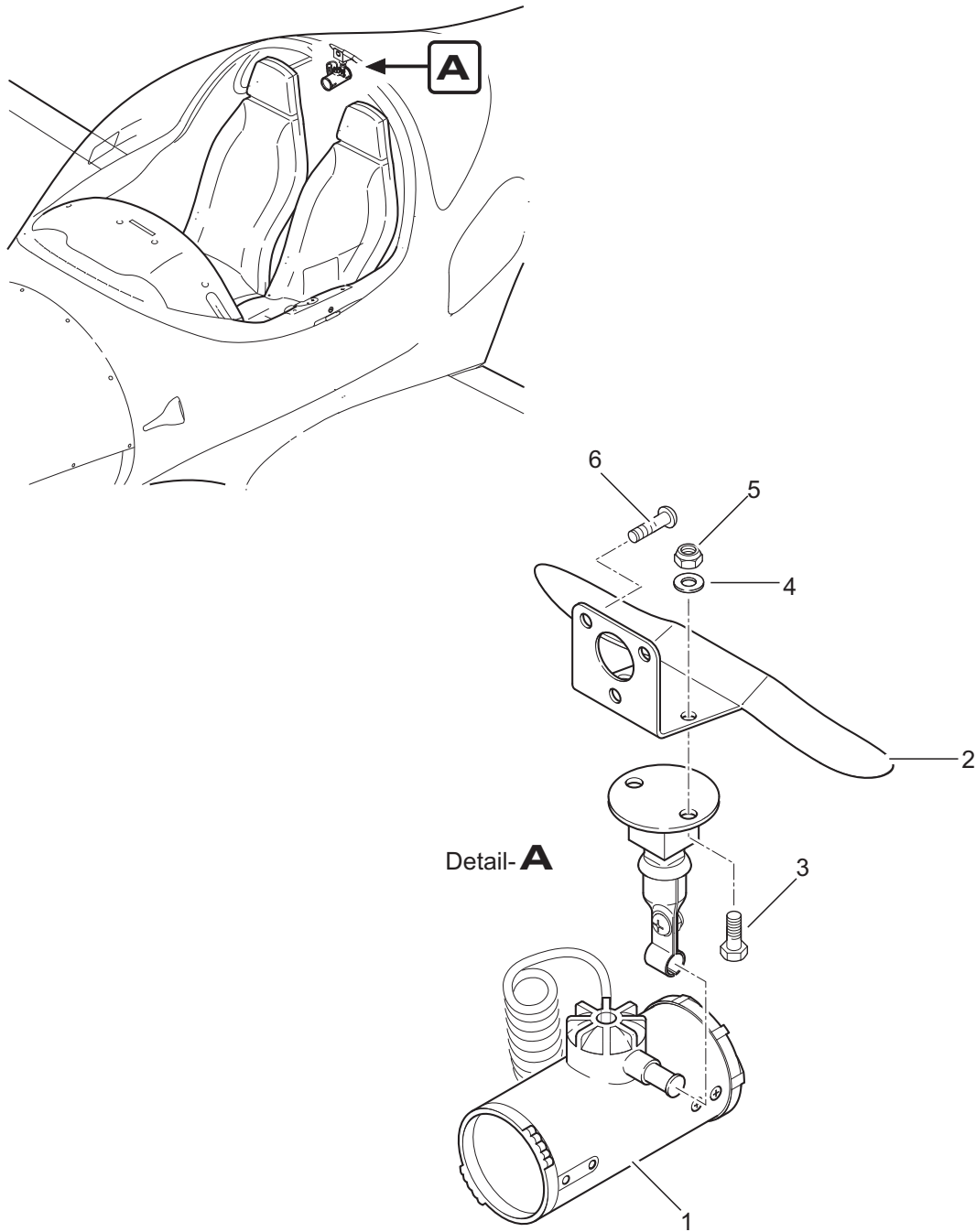




Fig. Item	QTY	Part Number	Nomenclature	Effectivity
1	RF		Spot Light Installation, (Refer to 33-00-00, Fig. 1, Item 1 for NHA)	
1	1	AT01-9340-100	Cockpit Light C-4A	
2	1	AT01-2150-123	Headset Bracket	
3	2	1800933_M5x12	Screw (Hexagon)	
4	2	1800125_5,3	Washer	
5	2	1800985_M5	Nut self locking	
6	3	1807380_5x16ULS	Lenshead Screw	

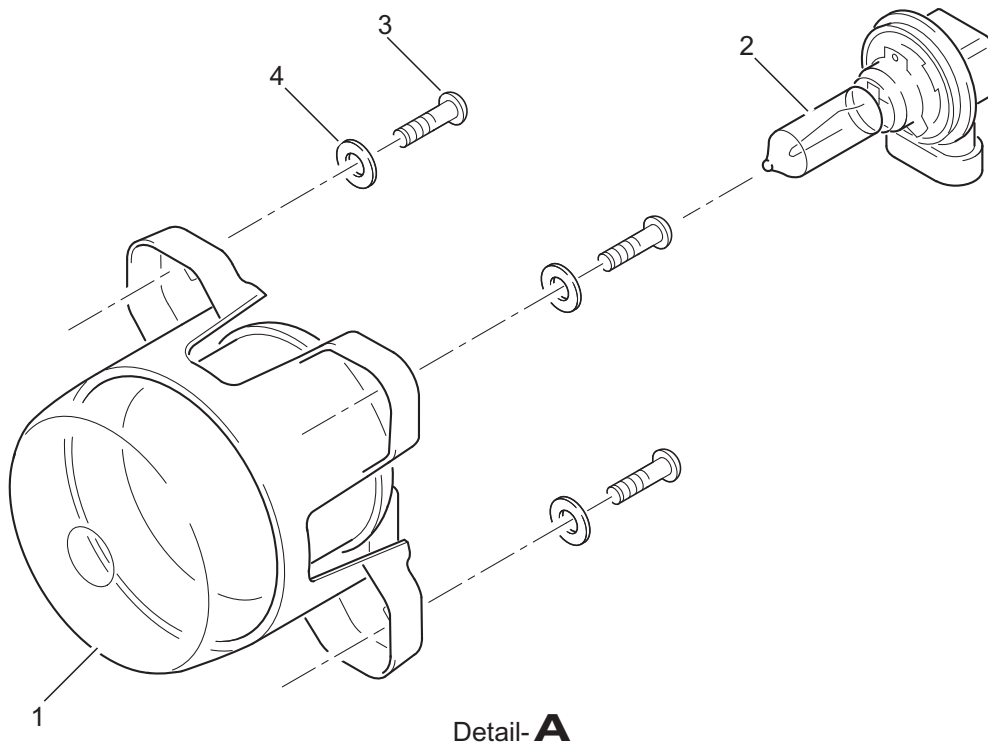
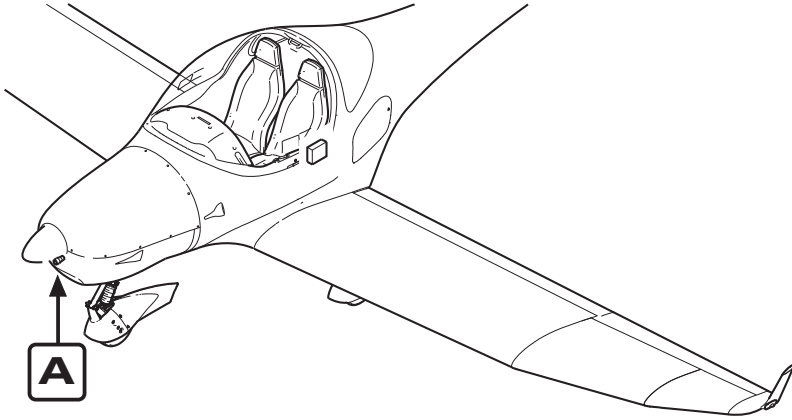
- Item not illustrated



Aviation by Excellence GmbH

AQUILA AT01
ILLUSTRATED PARTS CATALOG

EXTERIOR LIGHTS



Detail-**A**



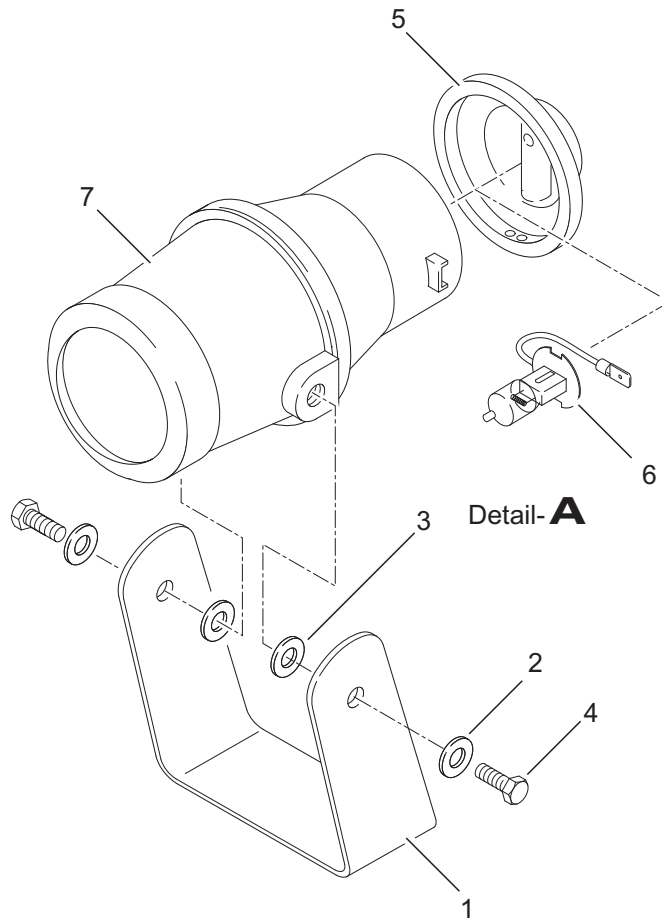
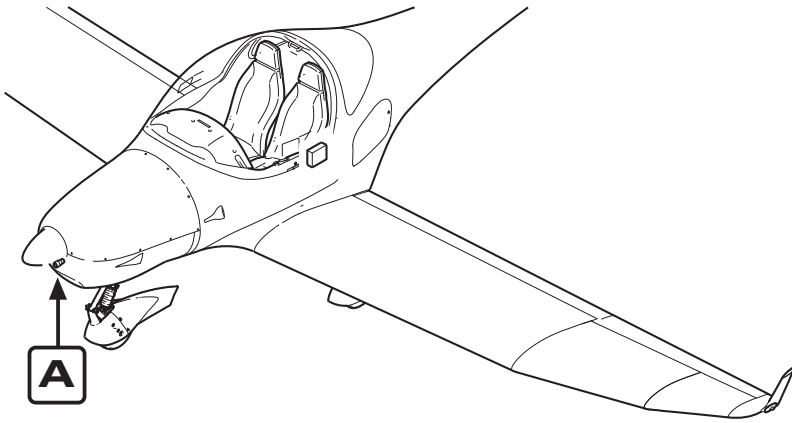
Aviation by Excellence GmbH

AQUILA AT01

ILLUSTRATED PARTS CATALOG

Fig. Item	QTY	Part Number	Nomenclature	Effectivity
1	RF		Landing Light Installation, (Refer to 33-00-00, Fig. 1, Item 2 for NHA)	190 - 999 R
1	1	AT01-9330-003	Landing Light	
2	1	AT01-9330-004	Light Bulb	
3	3	1807380_M5x25 ULF	Screw	
4	3	1809021_5,3	Washer	

- Item not illustrated





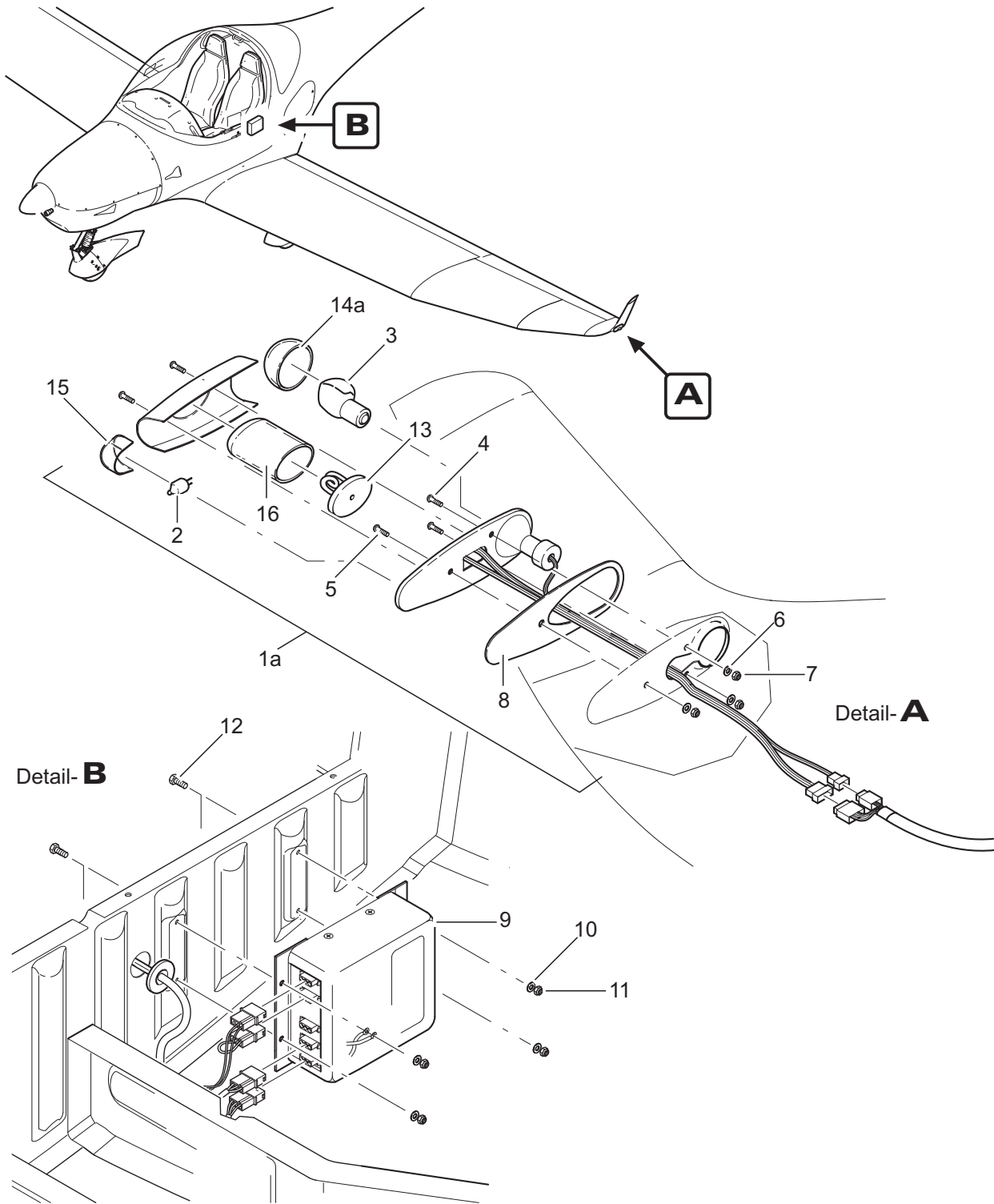
Aviation by Excellence GmbH

AQUILA AT01

ILLUSTRATED PARTS CATALOG

Fig. Item	QTY	Part Number	Nomenclature	Effectivity
1A	RF		Landing Light Installation, (Refer to 33-00-00, Fig. 1, Item 2 for NHA)	101 - 189 R
	1	AT01-9330-100	Mount	
	2	1800125_5,3	Washer DIN 125	
	3	1809021_5,3	Washer Plastic DIN 9021	
	4	1800933_M5x14	Screw	
	5	AT01-9330-002	Rubber Cap	
	6	AT01-4530-040	Light Bulb	
	7	AT01-9330-001	Landing Light	

- Item not illustrated



EFFECTIVITY

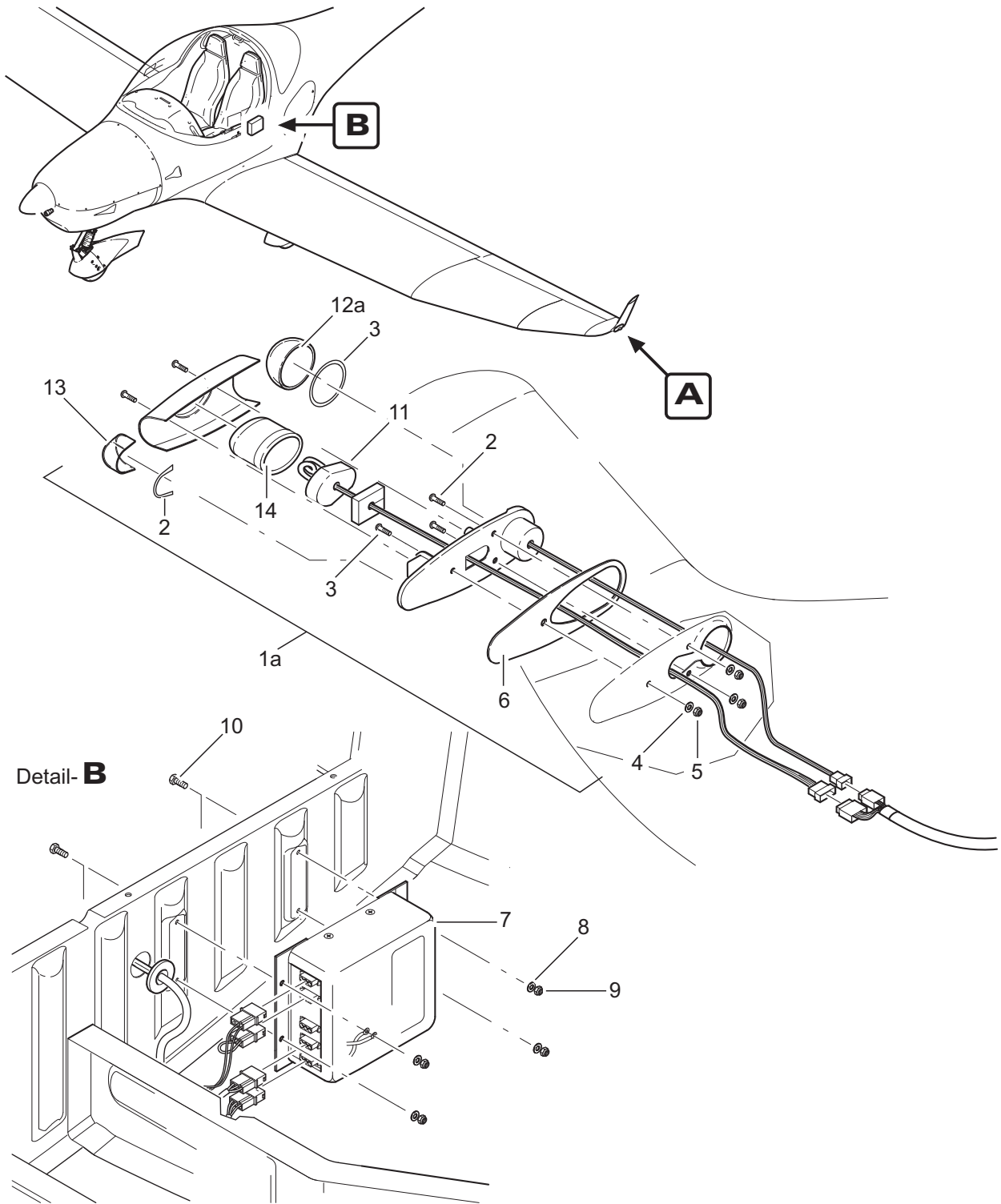
Aircraft equipped with Whelen NAV/Strobe lights

NAV/Strobe Light Installation
Figure 2



Fig. Item	QTY	Part Number	Nomenclature	Effectivity
2	RF		NAV/Strobe Light Installation, (Refer to 33-00-00, Fig. 1, Item 3 for NHA)	Whelen NAV/ Strobe lights R
1a	1	AT01-9310-105	NAV/Strobe Light Red	R
- 1b	1	AT01-9310-104	NAV/Strobe Light Green	R
2	1	AT01-9310-111	Light Bulb	
3	1	AT01-9310-110	Position Light Bulb	
4	2	1800933_M4x16	Screw	
5	1	1800965_M4x16	Screw	
6	3	1809021_4,3	Washer	
7	3	1800985_M4	Stop Nut	
8	1	AT01-9310-106	Gasket	R
9	1	AT01-9310-100	Strobe Power Supply Assembly	
10	4	1809021_5,3	Washer	
11	4	1800985_M5	Stop Nut	
12	4	1800933_M4x12	Screw	
13	1	AT01-9320-100	Strobe Light A610	R
14a	1	AT01-9310-107	Position Light Lens Red	
- 14b	1	AT01-9310-108	Position Light Lens Green	
15	1	AT01-9310-112	Tail Position Light Lens	
16	1	AT01-9310-113	Strobe Light Lens	

- Item not illustrated



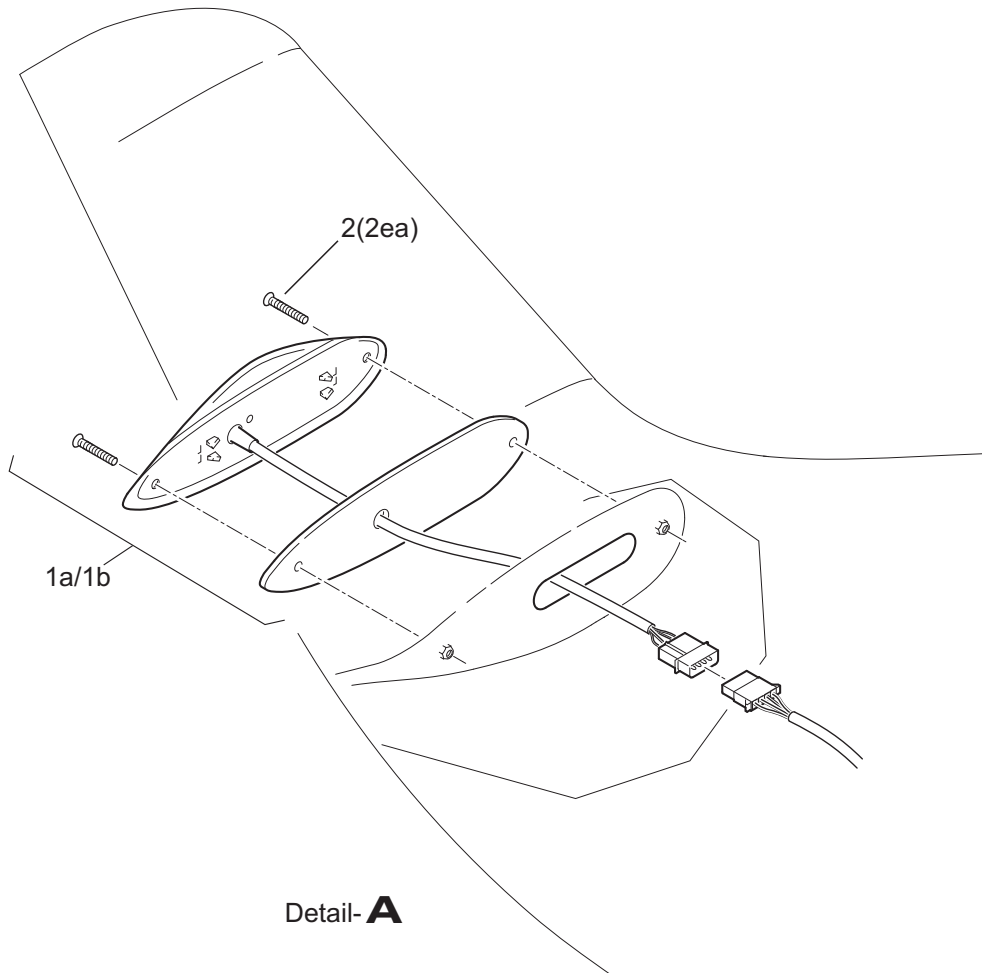
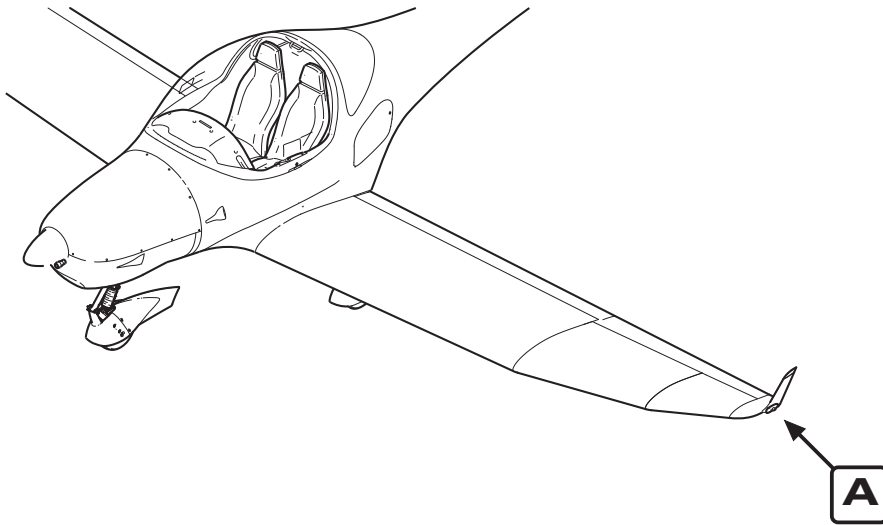
EFFECTIVITY

Aircraft equipped with Whelen NAV/Strobe lights (LED version)

NAV/Strobe Light Installation
Figure 2A



Fig. Item	QTY	Part Number	Nomenclature	Effectivity
2A	RF		NAV/Strobe Light Installation, (Refer to 33-00-00, Fig. 1, Item 3 for NHA)	Whelen NAV/ Strobe lights (LED version) R
1a	1	AT01-9310-124	NAV/Strobe Light Red	R
- 1b	1	AT01-9310-123	NAV/Strobe Light Green	R
2	2	1800933_M4x16	Screw	
3	1	1800965_M4x16	Screw	
4	3	1809021_4,3	Washer	
5	3	1800985_M4	Stop Nut	
6	1	AT01-9310-106	Gasket	R
7	1	AT01-9310-100	Strobe Power Supply Assembly	
8	4	1809021_5,3	Washer	
9	4	1800985_M5	Stop Nut	
10	4	1800933_M4x12	Screw	
11	1	AT01-9320-100	Strobe Light A610	R
12a	1	AT01-9310-107	Position Light Lens Red	
- 12b	1	AT01-9310-108	Position Light Lens Green	
13	1	AT01-9310-112	Tail Position Light Lens	
14	1	AT01-9310-113	Strobe Light Lens	



EFFECTIVITY

Aircraft equipped with Aveo NAV/Strobe lights

NAV/Strobe Light Installation
Figure 2B

33-40-00

Page 4B

15.02.13



Aviation by Excellence GmbH

AQUILA AT01

ILLUSTRATED PARTS CATALOG

Fig. Item	QTY	Part Number	Nomenclature	Effectivity
2B	RF		NAV/Strobe Light Installation, (Refer to 33-00-00, Fig. 1, Item 3 for NHA)	Aveo NAV/ Strobe lights
1a	1	AT01-9310-128	NAV/Strobe Light Red (incl. Item 2)	
- 1b	1	AT01-9310-129	NAV/Strobe Light Green (incl. Item 2)	
2	2	1800965_M3x20	Screw	



Aviation by Excellence GmbH

AQUILA AT01
ILLUSTRATED PARTS CATALOG

CHAPTER 55

STABILIZERS



TABLE OF CONTENTS

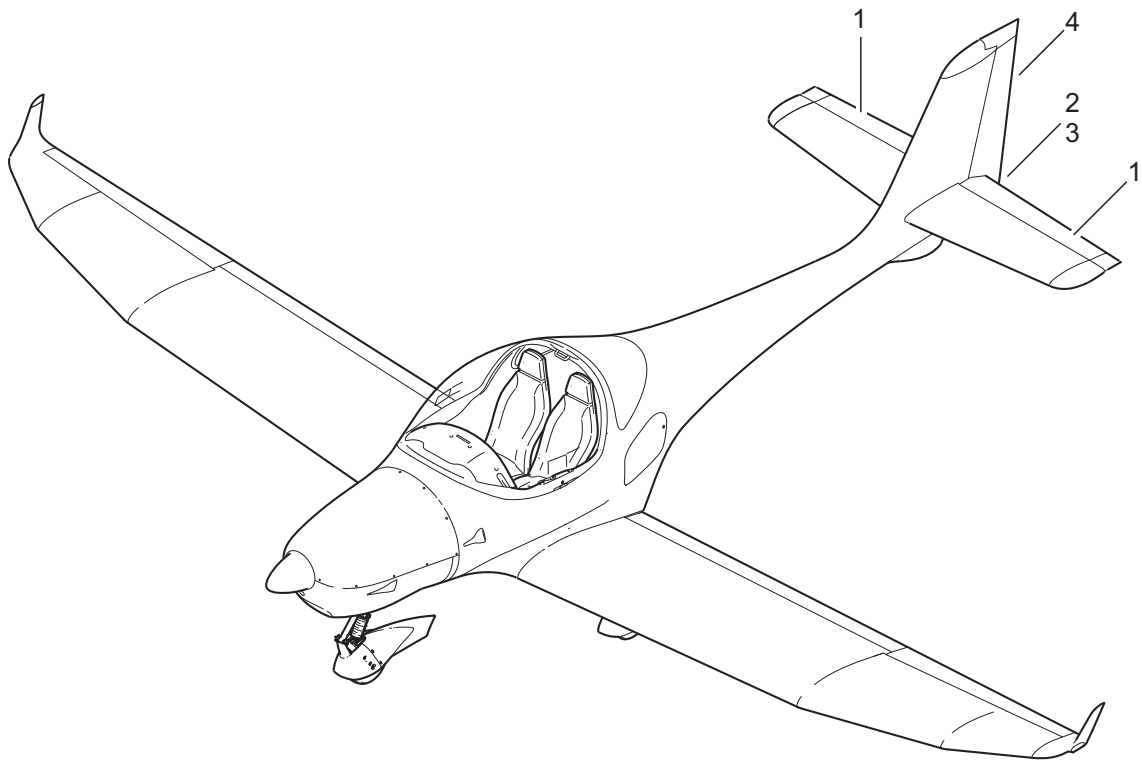
<u>Title</u> <u>Subject</u>	<u>Chapter</u> <u>Section</u> <u>Subject</u>	<u>Figure</u>	<u>Page</u>	<u>Effectivity</u>
STABILIZERS GENERAL	55-00-00		1	
Stabilizers - General	55-00-00	1	2	
ELEVATOR	55-20-00		1	
Elevator Installation	55-20-00	1	2	
Elevator Installation	55-20-01	2	4	
RUDDER	55-40-00		1	
Rudder Installation	55-40-00	1	2	
Rudder Installation	55-40-00	2	4	



Aviation by Excellence GmbH

AQUILA AT01
ILLUSTRATED PARTS CATALOG

STABILIZERS
GENERAL



Stabilizers - General
Figure 1



Fig. Item	QTY	Part Number	Nomenclature	Effectivity
1			Stabilizers - General	
	1		Elevator Installation, (Refer to 55-20-00, Figure 1 for Details)	
	2		Elevator Installation, (Refer to 55-20-00, Figure 2 for Details)	R
	3		Rudder Installation, (Refer to 55-40-00, Figure 1 for Details)	R
	4		Rudder Installation, (Refer to 55-40-00, Figure 2 for Details)	R

- Item not illustrated

Stabilizers - General
Figure 1

55-00-00

Page 3

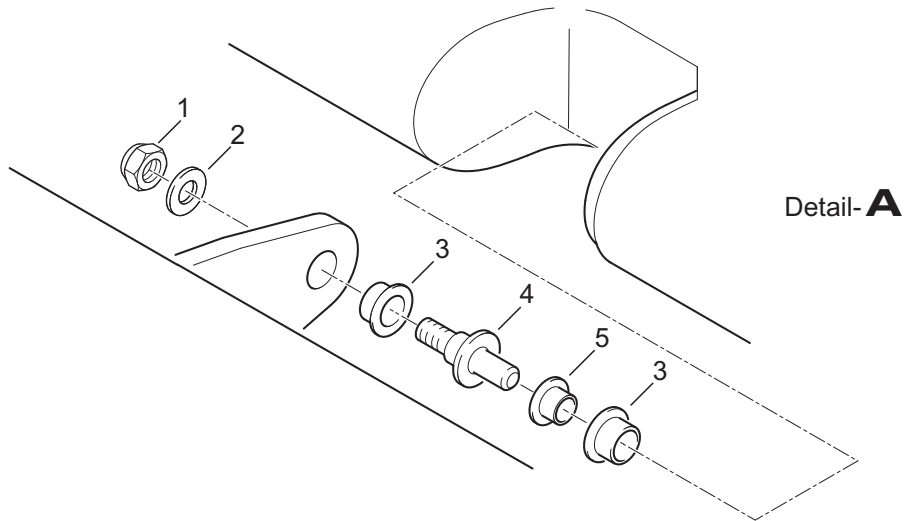
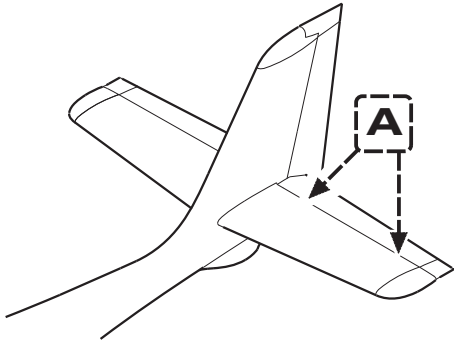
15.02.13



Aviation by Excellence GmbH

AQUILA AT01 ILLUSTRATED PARTS CATALOG

ELEVATOR



Note: Left elevator installation shown only.

Elevator Installation
Figure 1



Fig. Item	QTY	Part Number	Nomenclature	Effectivity
1	RF		Elevator Installation, (Refer to 55-00-00, Fig. 1, Item 1 for NHA)	
1	2	1800985_M6	Stop Nut	
2	2	1800125_6,4	Washer	
3	4	AT01-4510-116	Bushing	
4	2	AT01-4510-114	Pin, Bearing	
5	2	PAF06070P10	Bushing	

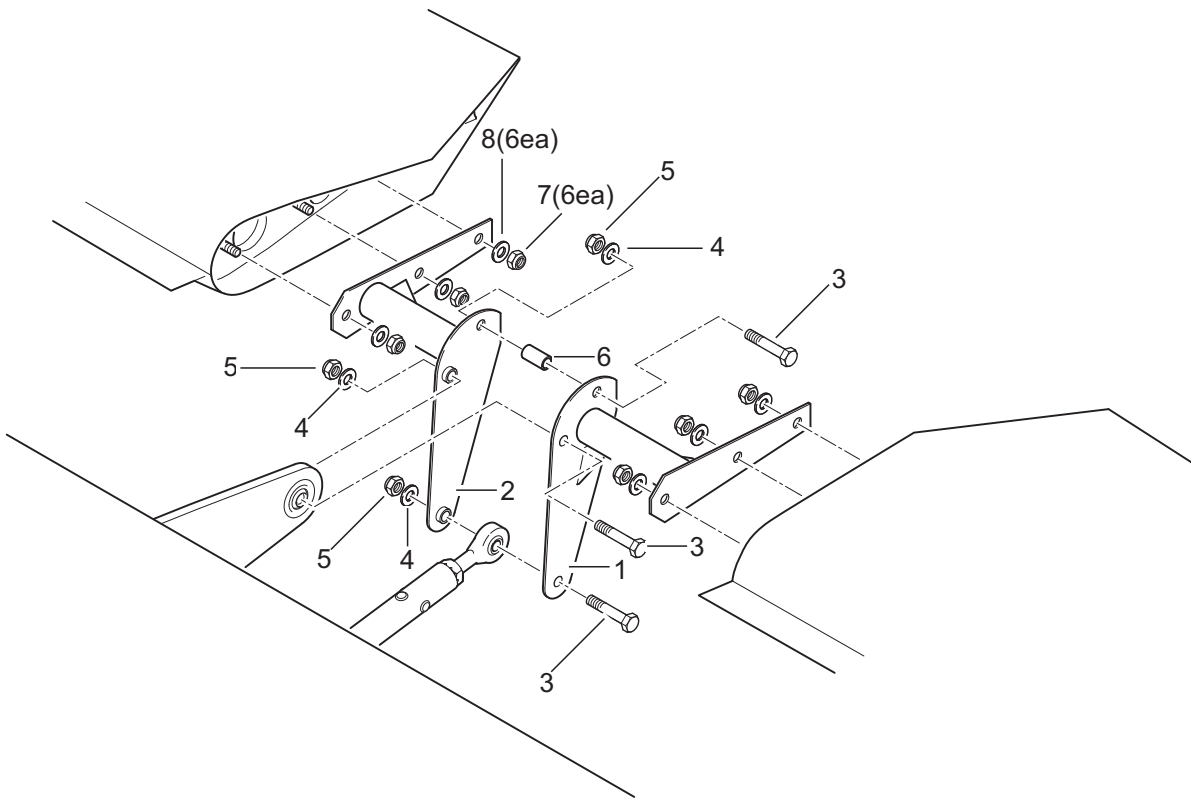
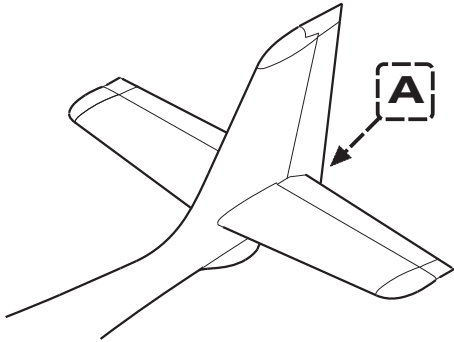
- Item not illustrated

Elevator Installation
Figure 1

55-20-00

Page 3

15.02.13



Detail-**A**



Fig. Item	QTY	Part Number	Nomenclature	Effectivity
2	RF		Elevator Installation (Refer to 55-00-00, Fig. 1, Item 2 for NHA)	
1	1	AT01-3130-001	Bell Crank, Elevator, LH	
2	1	AT01-3130-002	Bell Crank, Elevator, RH	
3	3	1809037_06030	Bolt	
4	3	1800125_6,4	Washer	
5	3	1800985_M6	Stop Nut	
6	1	AT01-3130-107	Spacer	
7	6	1800985_M5	Stop Nut	
8	6	1809021_5,3	Washer	

- Item not illustrated

Elevator Installation
Figure 2

55-20-00

Page 5

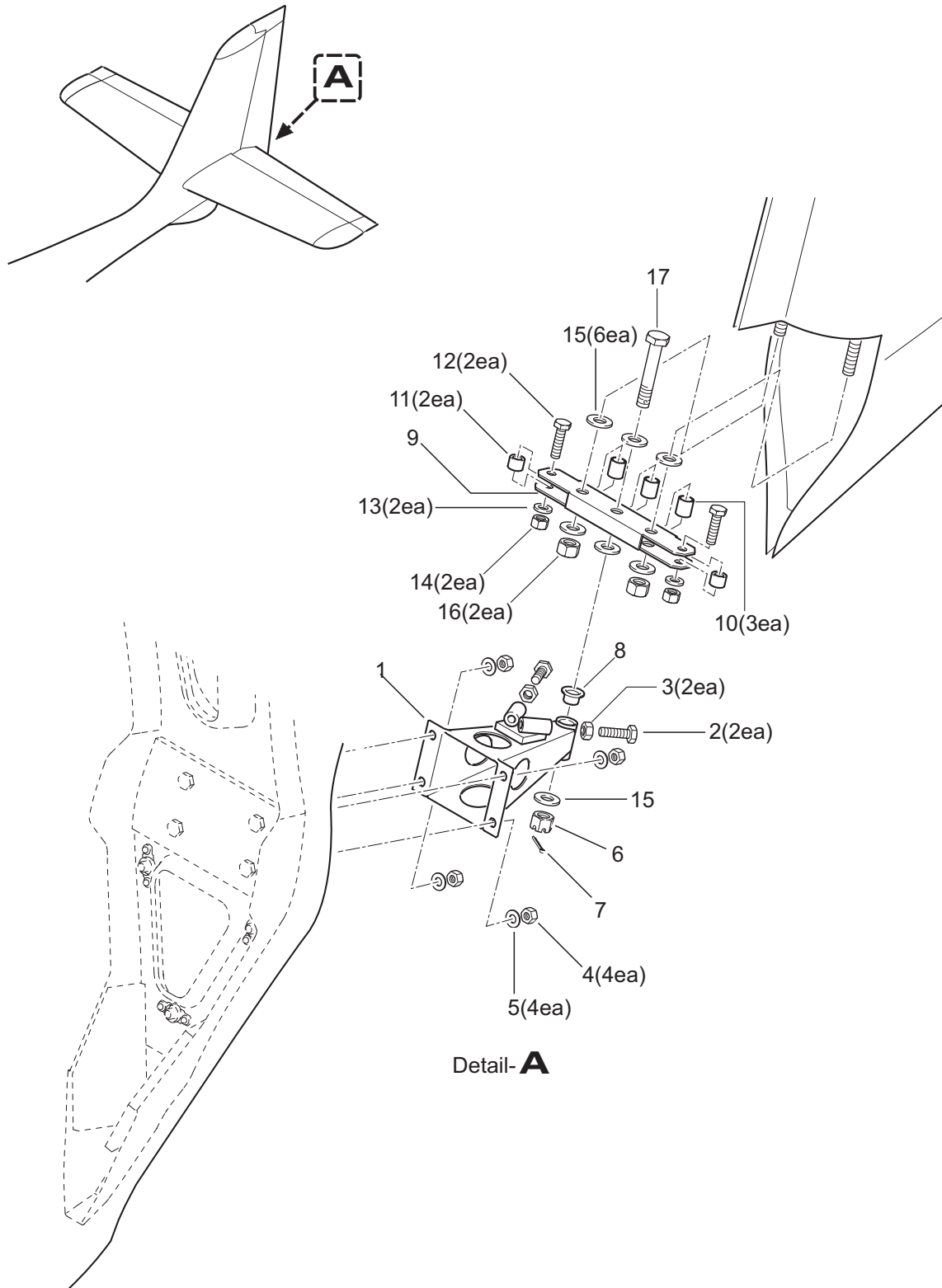
15.02.13



Aviation by Excellence GmbH

AQUILA AT01 ILLUSTRATED PARTS CATALOG

RUDDER



Rudder Installation
Figure 1

Fig. Item	QTY	Part Number	Nomenclature	Effectivity
1	RF		Rudder Installation, (Refer to 55-00-00, Fig. 1, Item 3 for NHA)	
1	1	AT01-3230-001	Bracket, Bearing	
2	2	1800933_M6x20	Bolt, Stop	
3	2	1800934_M6	Nut	
4	4	1800985_M6	Stop Nut	
5	4	1800125_6,4	Washer	
6	1	1800935_M8	Nut, castellated	
7	1	1800094_2x16	Split Pin	
8	1	PAF08075P10	Bushing	
9	1	AT01-3300-103	Actuator lever, Rudder (incl. Items 10, 17)	
10	3	AT01-3300-104	Spacer	
11	2	AT01-4510-125	Spacer	
12	2	1809037_06022	Bolt	
13	2	1800125_6,4	Washer	
14	2	1800985_M6	Stop Nut	
15	7	1800125_8,4	Washer	
16	2	1800985_M8	Stop Nut	
17	1	AT01-3300-109	Bolt	

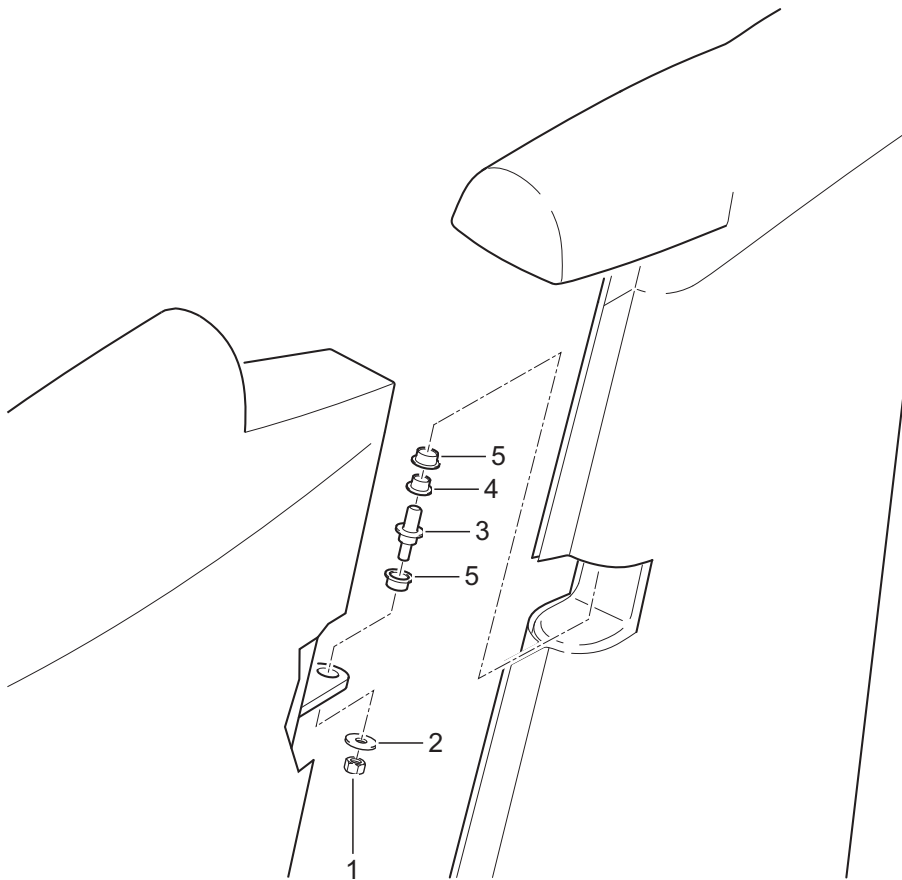
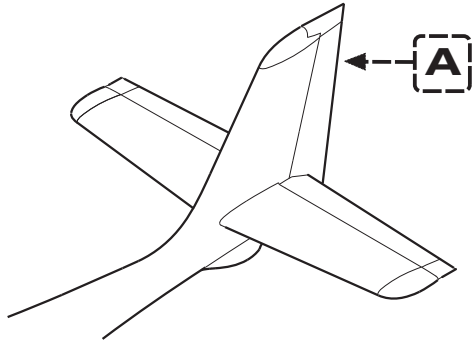
- Item not illustrated

Rudder Installation
Figure 1

55-40-00

Page 3

15.02.13



Detail- **A**



Aviation by Excellence GmbH

AQUILA AT01

ILLUSTRATED PARTS CATALOG

Fig. Item	QTY	Part Number	Nomenclature	Effectivity
2	RF		Rudder Installation (Refer to 55-00-00, Fig. 1, Item 4 for NHA)	
1	1	1800985_M6	Stop Nut	
2	1	1809021_6,4	Washer	
3	1	AT01-4510-106	Pin, Bearing	
4	1	PAF08075P10	Bushing	
5	2	AT01-4510-113	Bushing	

- Item not illustrated

Rudder Installation
Figure 2

55-40-00

Page 5

15.02.13



Aviation by Excellence GmbH

AQUILA AT01
ILLUSTRATED PARTS CATALOG

CHAPTER 56

WINDOWS



TABLE OF CONTENTS

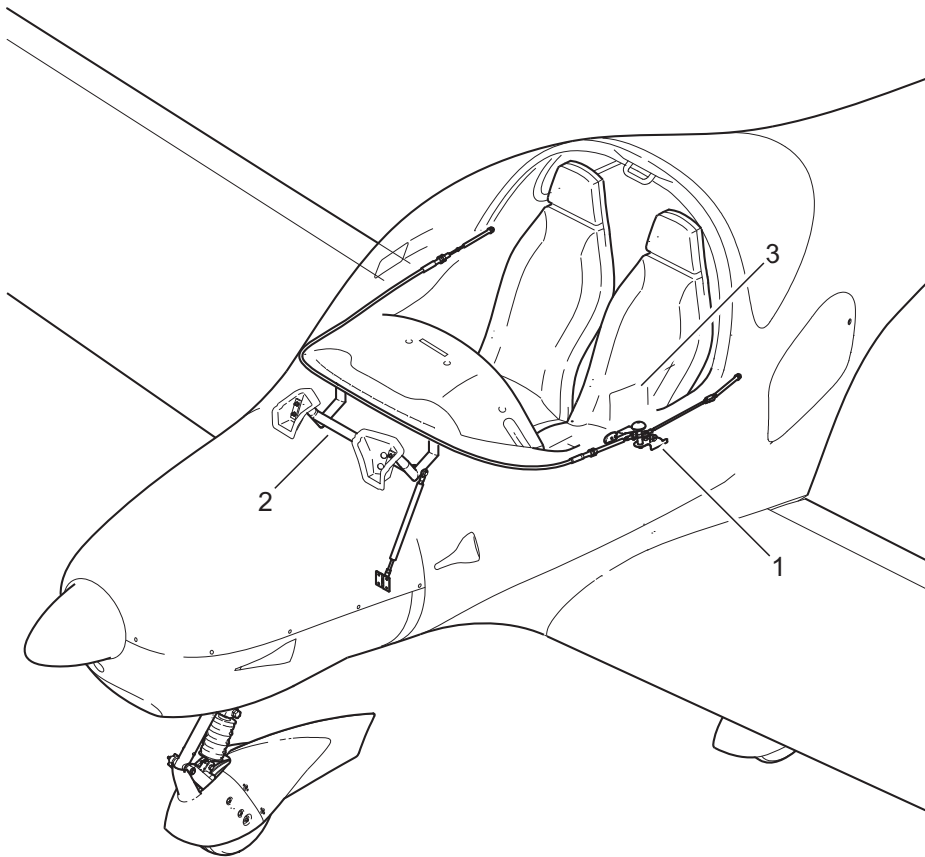
<u>Title</u> <u>Subject</u>	<u>Chapter</u> <u>Section</u> <u>Subject</u>	<u>Figure</u>	<u>Page</u>	<u>Effectivity</u>
CANOPY	56-10-00		1	
Canopy - General	56-10-00	1	2	
Canopy Latching Mechanism	56-10-00	2	4	207 - 999
Canopy Latching Mechanism	56-10-00	2A	4A	101 - 206
Canopy Hinge Bracket	56-10-00	3	6	
Canopy Frame / Glass / Bad Weather Window	56-10-00	4	8	



Aviation by Excellence GmbH

AQUILA AT01
ILLUSTRATED PARTS CATALOG

CANOPY



Canopy - General
Figure 1



Fig. Item	QTY	Part Number	Nomenclature	Effectivity
1			Canopy - General	
1			Canopy Latching Mechanism, (Refer to 56-10-00, Figure 2 for Details)	
2			Canopy hinge Bracket, (Refer to 56-10-00, Figure 3 for Details)	
3			Canopy Frame / Glass / Bad Weather Window, (Refer to 56-10-00, Figure 4 for Details)	

- Item not illustrated

Canopy - General
Figure 1

56-10-00

Page 3

15.02.13

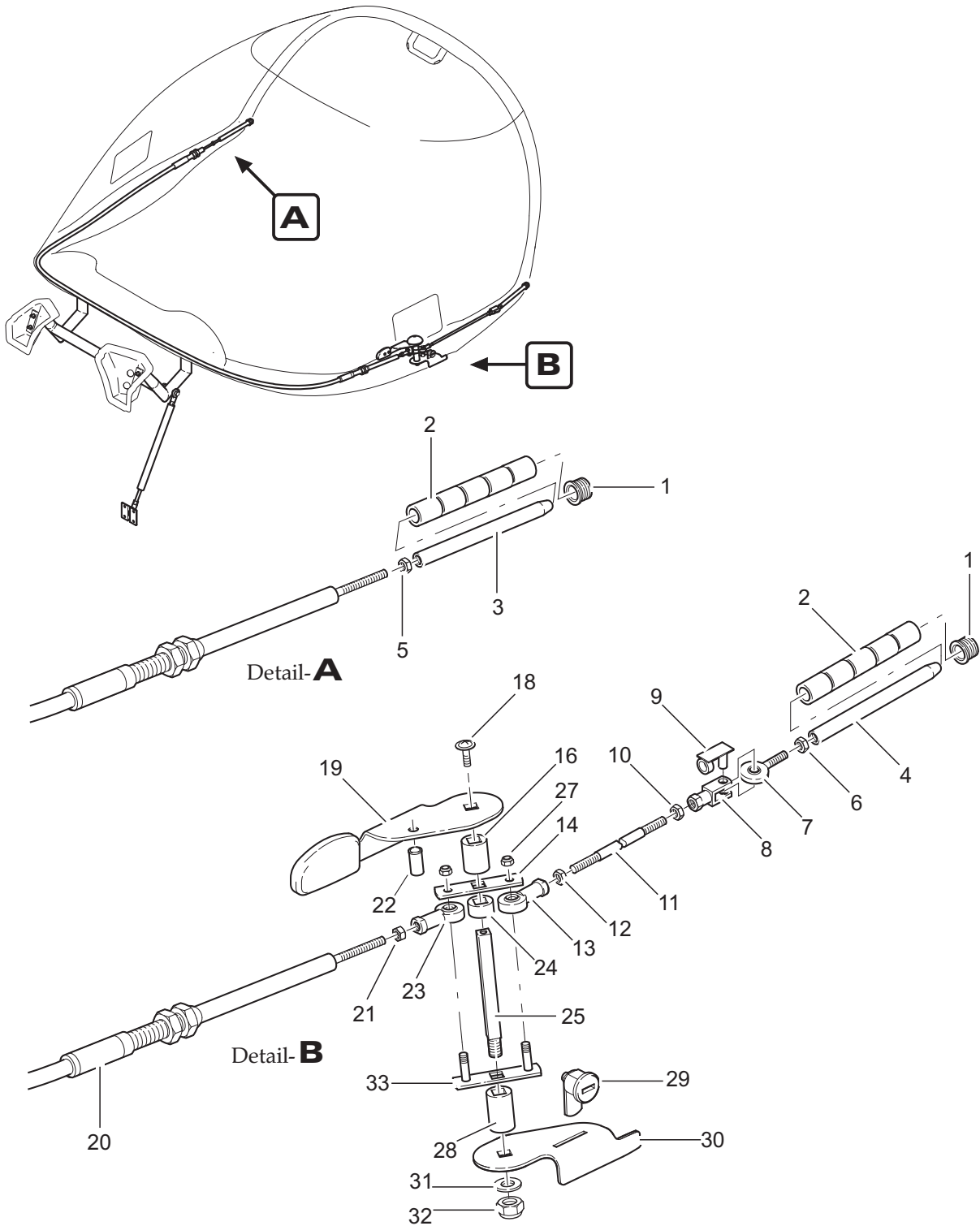


Fig. Item	QTY	Part Number	Nomenclature	Effectivity
2	RF		Canopy Latching Mechanism, (Refer to 56-10-00, Fig. 1, Item 1 for NHA)	207 - 999
1	2	AT01-2340-103	Bushing for Lock Bolt	
2	2	AT01-2340-112	Bearing Sleeve for Lock Bolt	
3	1	AT01-2340-114	Lock Bolt Back Right Side	
4	1	AT01-2340-101	Lock Bolt Back Left Side	
5	1	1800934_M5	Nut M5	
6	1	1800934_M6	Nut M6	
7	1	AT01-1850-118	Swivel Head with external Thread M6	R
8	1	AT01-1850-206	Fork Head 6x12	
9	1	AT01-1850-207	Fork Head Bolt (ES-Norm 01)	R
10	1	1800934_M6	Nut M6	
11	1	AT01-2340-113	Push Stake Left	
12	1	1800934_M5	Nut M5	
13	1	AT01-1850_115	Swivel Head with internal Thread M5	R
14	1	AT01-2340-108	Drive Plate	
16	1	AT01-2340-115	Bearing for Drive Shaft Top	
18	1	1807380_6x10	Screw M6x10	
19	1	AT01-2340-117	Handle Unit for top Handle	
20	1	AT01-2340-005	Drive Cable for Canopy Latching	R
21	1	1800934_M5	Nut M5	
22	1	AT01-1860-110	Plunger M10x22	
23	1	AT01-1850_115	Swivel Head with internal Thread M5	R
24	1	AT01-2340-109	Distance Sleeve for Drive Shaft	
25	1	AT01-2340-111	Drive Shaft for Canopy Latching	
27	2	1800985_M5	Stop Nut M5	
28	1	AT01-2340-110	Bearing for Drive Shaft bottom	
29	1	AT01-4540-104	Canopy Lock	R
30	1	AT01-2340-107	Handle for Canopy Latching bottom/external	
31	1	1800125_8,4	Washer 8.4	
32	1	1800985_M8	Stop Nut M8	
33	1	AT01-2340-008	Drive Plate Assy	

- Item not illustrated

Cabin Latching Mechanism
Figure 2

56-10-00

Page 5

15.02.13

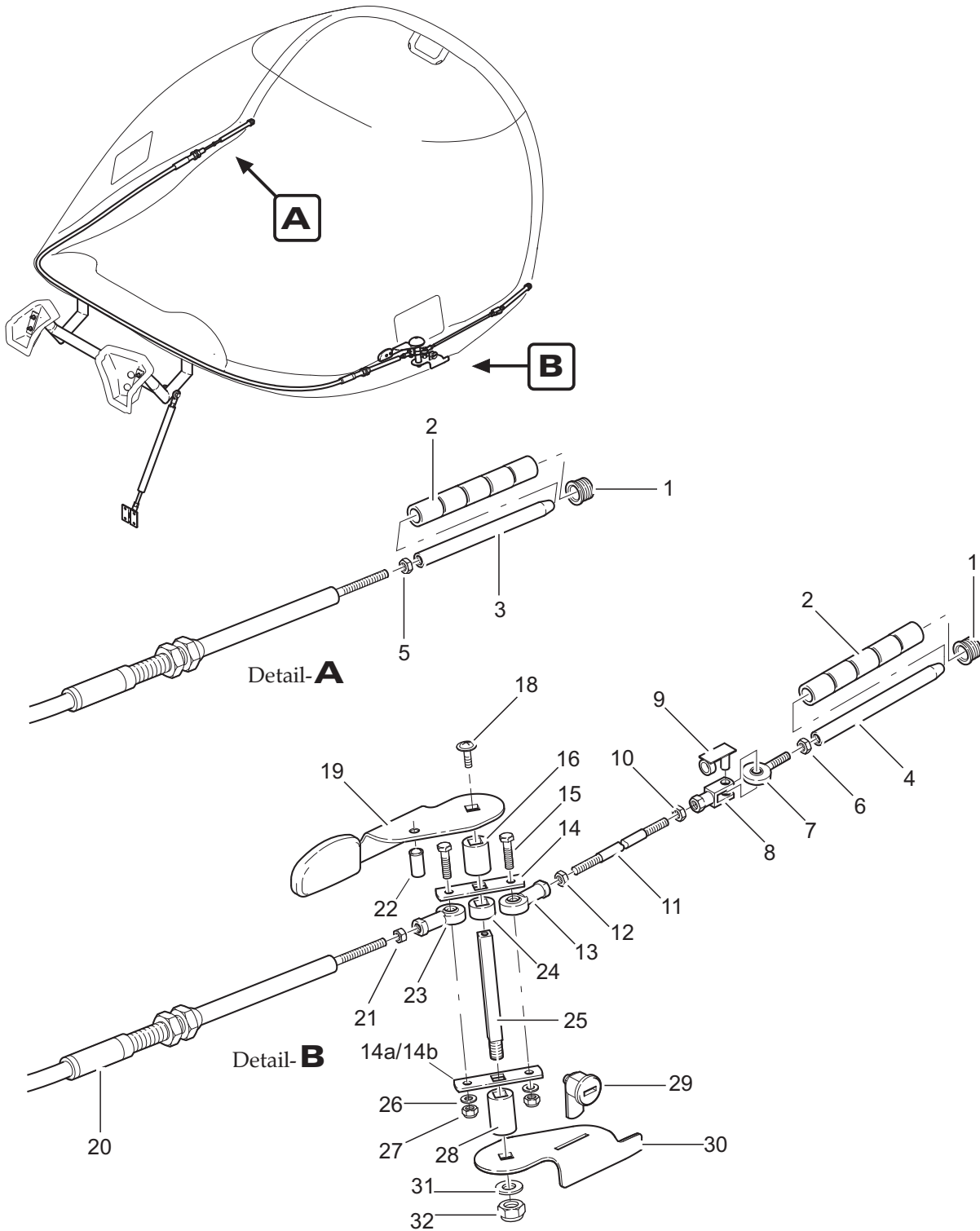


Fig. Item 2A	QTY RF	Part Number	Nomenclature	Effectivity
			Canopy Latching Mechanism, (Refer to 56-10-00, Fig. 1, Item 1 for NHA)	101 - 206
1	2	AT01-2340-103	Bushing for Lock Bolt	
2	2	AT01-2340-112	Bearing Sleeve for Lock Bolt	
3	1	AT01-2340-105	Lock Bolt Back Right Side	101 - 196 R
3	1	AT01-2340-114	Lock Bolt Back Right Side	197 - 206 R
4	1	AT01-2340-101	Lock Bolt Back Left Side	
5	1	1800934_M5	Nut M5	
6	1	1800934_M6	Nut M6	
7	1	AT01-1850-118	Swivel Head with external Thread M6	R
8	1	AT01-1850-206	Fork Head 6x12	
9	1	AT01-1850-207	Fork Head Bolt (ES-Norm 01)	R
10	1	1800934_M6	Nut M6	
11	1	AT01-2340-113	Push Stake Left	
12	1	1800934_M5	Nut M5	
13	1	AT01-1850_115	Swivel Head with internal Thread M5	R
14	1	AT01-2340-108	Drive Plate	R
14a	1	AT01-2340-108	Drive Plate	101 - 150 R
-14b	1	AT01-2340-008	Drive Plate Assy (ref. Fig. 2, item 33)	151 - 206 R
15	2	1809037_05020	Hex-Head Screw M5x20 LN 9037	101 - 150 R
16	1	AT01-2340-115	Bearing for Drive Shaft Top	
18	1	1807380_6x10	Screw M6x10	
19	1	AT01-2340-117	Handle Unit for top Handle	
20	1	AT01-2340-005	Drive Cable for Canopy Latching	R
21	1	1800934_M5	Nut M5	
22	1	AT01-1860-110	Plunger M10x22	
23	1	AT01-1850_115	Swivel Head with internal Thread M5	R
24	1	AT01-2340-109	Distance Sleeve for Drive Shaft	
25	1	AT01-2340-111	Drive Shaft for Canopy Latching	
26	2	1800125_5,3	Washer 5.3	101 - 150 R
27	2	1800985_M5	Stop Nut M5	
28	1	AT01-2340-110	Bearing for Drive Shaft bottom	
29	1	AT01-2340-100	Canopy Lock	
30	1	AT01-2340-107	Handle for Canopy Latching bottom/external	
31	1	1800125_8,4	Washer 8.4	
32	1	1800985_M8	Stop Nut M8	

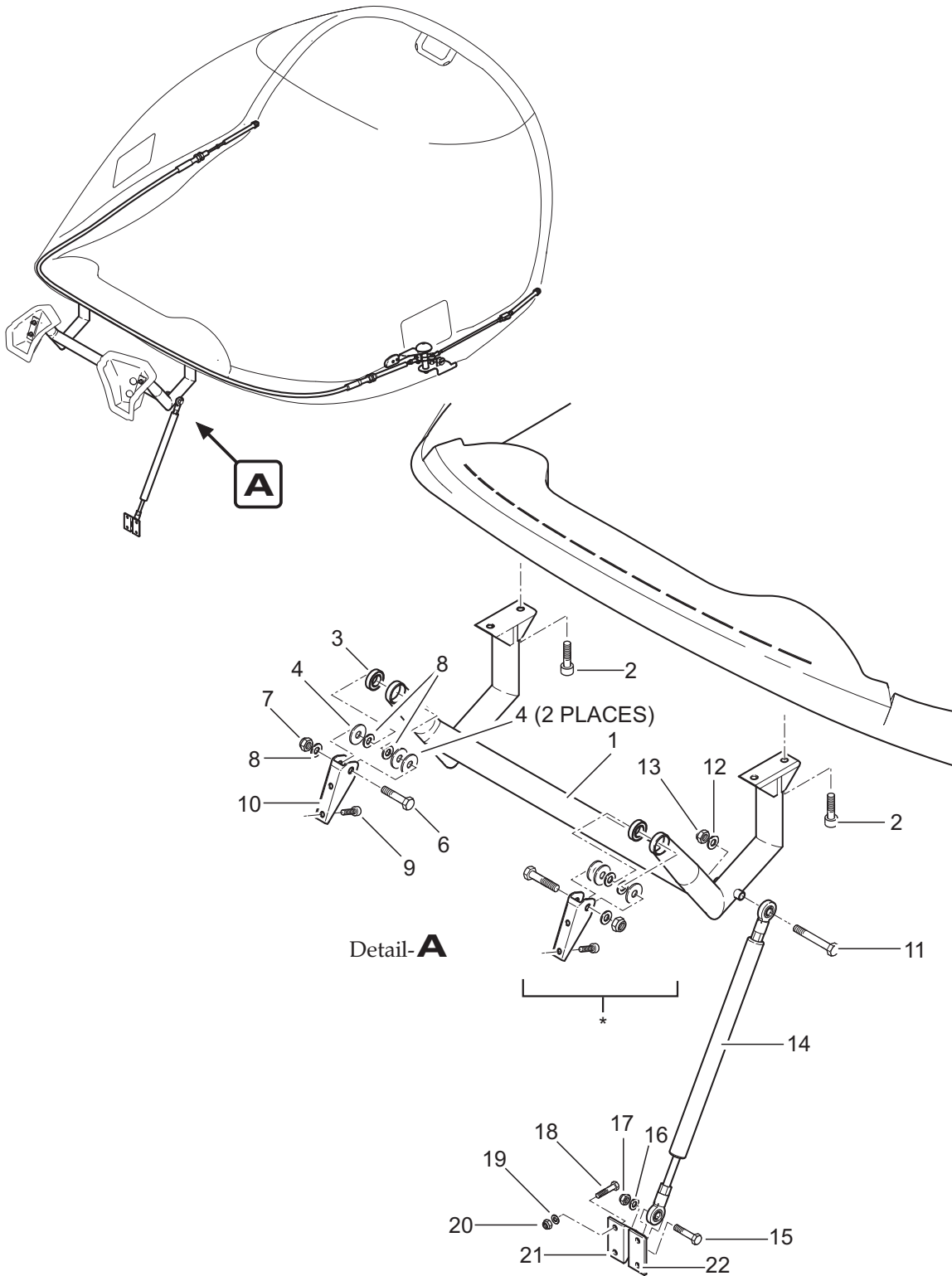
- Item not illustrated

Cabin Latching Mechanism
Figure 2A

56-10-00

Page 5A

15.02.13



* Use the same PN's as on the RH side of hinge bracket.

Canopy Hinge Bracket
Figure 3

Fig. Item	QTY	Part Number	Nomenclature	Effectivity
3	RF		Canopy Hinge Bracket, (Refer to 56-10-00, Fig. 1, Item 2 for NHA)	
1	1	AT01-2330-002	Fork	
2	4	1800912_M8x25	Bolt M8x25	
3	2	AT01-1850-608	Ball Bearing	
4	6	1809021_8,4	Washer d 8,4x24	
6	2	1809037_08032	Bolt Hex Head M8x32	
7	2	1800985_M8	Stop Nut	
8	6	1800125_8,4	Washer d 8,4	
9	4	1800912_M6x20	Screw M6x20	
10	2	AT01-2330-102	Bearing Fitting	
11	1	1800931_M8x60	Bolt Hex Head M8x60	
12	1	1800125_8,4	Washer d 8,4	
13	1	1800985_M8	Stop Nut	
14	1	AT01-2330-006	Gas filled Telescopic Strut	
15	1	1800931_M8x35	Bolt Hex Head M8x35	
16	1	1800125_8,4	Washer d 8,4	
17	1	1800985_M8	Stop Nut	
18	4	1800933_M6x25	Bolt Hex Head M6x25	
19	4	1809021_6,4	Washer d 6,4x18	
20	4	1800985_M6	Stop Nut	
21	2	AT01-4510-128	Bearing Angle	
21	1	AT01-4510-140	Bearing Angle	206 - 999
22	1	AT01-4510-139	Bearing Angle	206 - 999

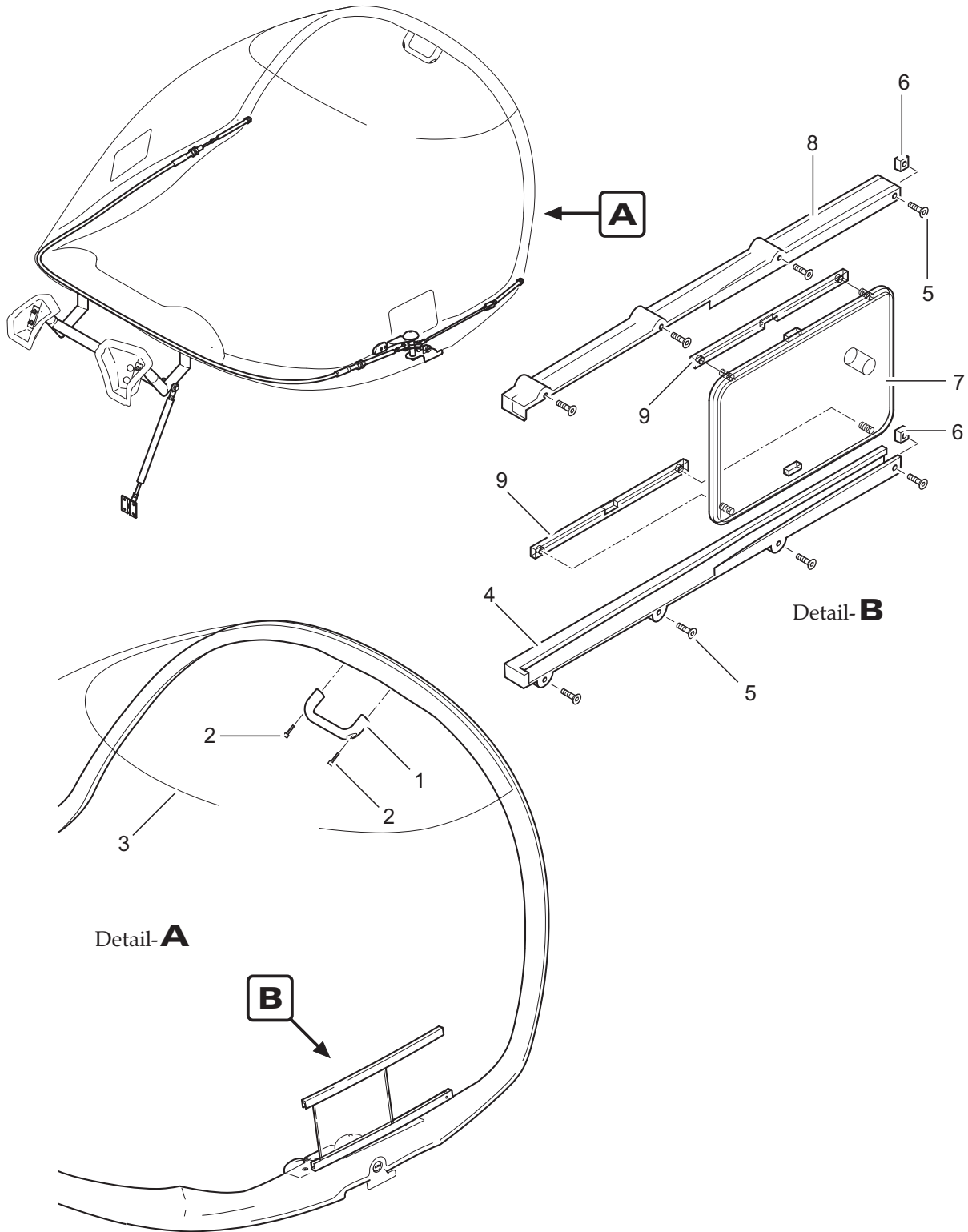
- Item not illustrated

Canopy Hinge Bracket
Figure 3

56-10-00

Page 7

15.02.13



Canopy Frame / Glass / Bad-Weather Window
Figure 4

Fig. Item	QTY	Part Number	Nomenclature	Effectivity
4			Canopy Frame / Glass, (Refer to 56-10-00, Fig. 1, Item 3 for NHA)	
1	1	AT01-2310-100	Canopy Handle	
2	2	1800912_M6x20	Screw M6x20	R
3	1	AT01-2320-002	Sun Protection Film	
4	1	AT01-2320-204	Guide Rail for Window top right and bottom left	
5	8	AT01-2320-207	Screw Bad Weather Window	
6	2	AT01-2320-206	Stop Block	
-7	1	AT01-2320-201	Window, right side, uncolored	R
7	1	AT01-2320-202	Window, left side, uncolored	
-7	1	AT01-2320-221	Window, right side, blue	R
7	1	AT01-2320-222	Window, left side;blue	
-7	1	AT01-2320-224	Window, right side, brown	R
7	1	AT01-2320-225	Window, left side, brown	
-7	1	AT01-2320-226	Window, right side, grey	R
7	1	AT01-2320-227	Window, left side, grey	R
-7	1	AT01-2320-231	Window, right side, green	R
7	1	AT01-2320-232	Window, left side, green	
8	1	AT01-2320-203	Guide Rail for Window bottom right and top left	
9	2	AT01-2320-205	Slide Bar	

- Item not illustrated

Canopy Frame / Glass / Bad-Weather Window
Figure 4

56-10-00

Page 9

15.02.13



Aviation by Excellence GmbH

AQUILA AT01
ILLUSTRATED PARTS CATALOG

CHAPTER 57

WINGS



Aviation by Excellence GmbH

AQUILA AT01

ILLUSTRATED PARTS CATALOG

TABLE OF CONTENTS

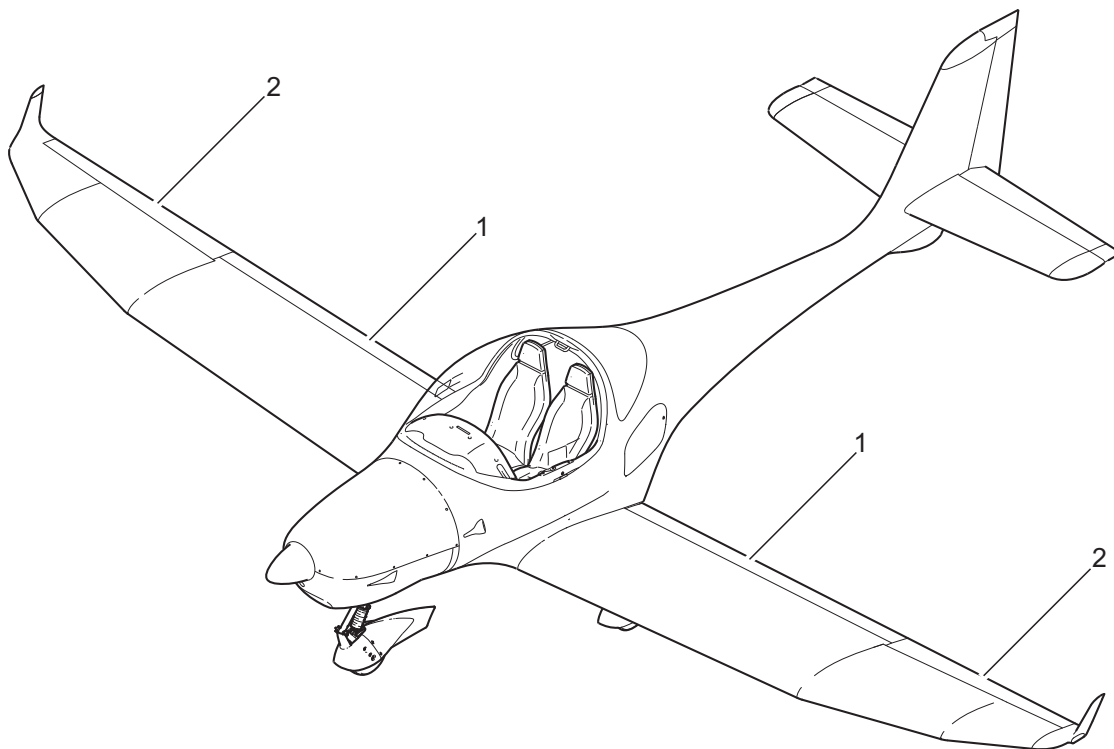
<u>Title</u> <u>Subject</u>	<u>Chapter</u> <u>Section</u> <u>Subject</u>	<u>Figure</u>	<u>Page</u>	<u>Effectivity</u>
WINGS GENERAL	57-00-00		1	
Wings - General	57-00-00	1	2	
FLIGHT SURFACES	57-50-00		1	
Flap Installation	57-50-00	1	2	
Aileron Installation	57-50-00	2	4	



Aviation by Excellence GmbH

AQUILA AT01
ILLUSTRATED PARTS CATALOG

WINGS
GENERAL



Wings - General
Figure 1



Aviation by Excellence GmbH

AQUILA AT01

ILLUSTRATED PARTS CATALOG

Fig. Item	QTY	Part Number	Nomenclature	Effectivity
1			Wings - General	
	1		Flap Installation (Refer to 57-50-00, Figure 1 for Details)	R
	2		Aileron Installation (Refer to 57-50-00, Figure 2 for Details)	R

- Item not illustrated

Wings - General
Figure 1

57-00-00

Page 3

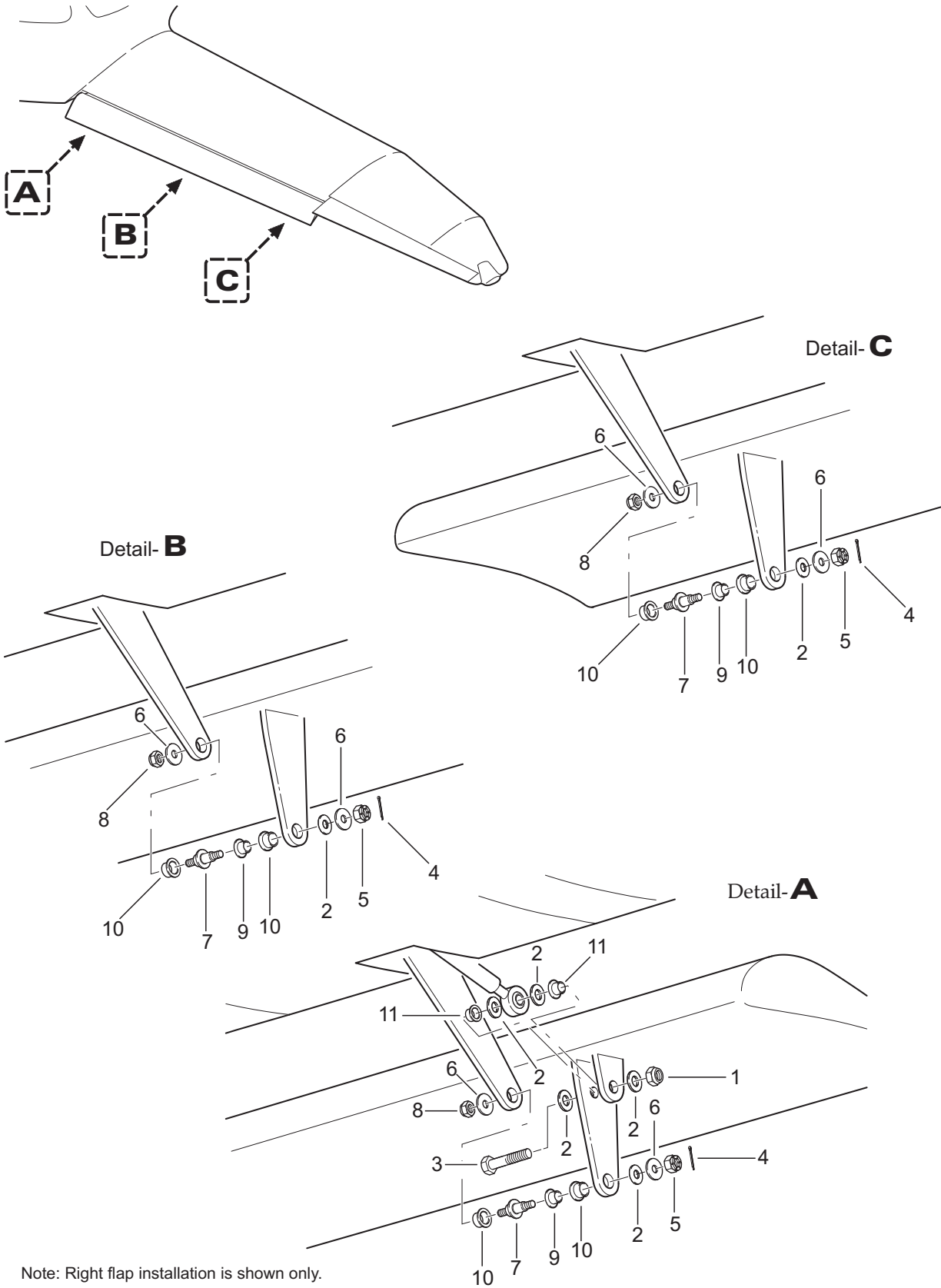
15.02.13



Aviation by Excellence GmbH

AQUILA AT01
ILLUSTRATED PARTS CATALOG

FLIGHT SURFACES



Note: Right flap installation is shown only.

Flap Installation
Figure 1

Fig. Item	QTY	Part Number	Nomenclature	Effectivity
1	RF		Flap Installation, Inboard Hinge with Flap Horn, (Refer to 57-00-00, Fig. 1, Item 1 for NHA)	
1	1	1800985_M8	Stop Nut	
2	7	1800125_8,4	Washer	R
3	1	1809037_08045	Bolt	R
4	3	1800094_1,6x16	Split Pin	R
5	3	1800935_M6	Castle Nut	R
6	6	1809021_6,4	Washer	R
7	3	AT01-4510-108	Control Surface Pivot I (1,5 mm)	R
7	3	AT01-4510-132	Control Surface Pivot I (3 mm)	R
7	3	AT01-4510-133	Control Surface Pivot I (4 mm)	R
7	3	AT01-4510-134	Control Surface Pivot I (5 mm)	R
8	3	1800985_M6	Stop Nut	R
9	3	PAF08075P10	Bushing	R
10	6	AT01-4510-113	Bushing	R
11	2	AT01-4510-116	Bushing	R

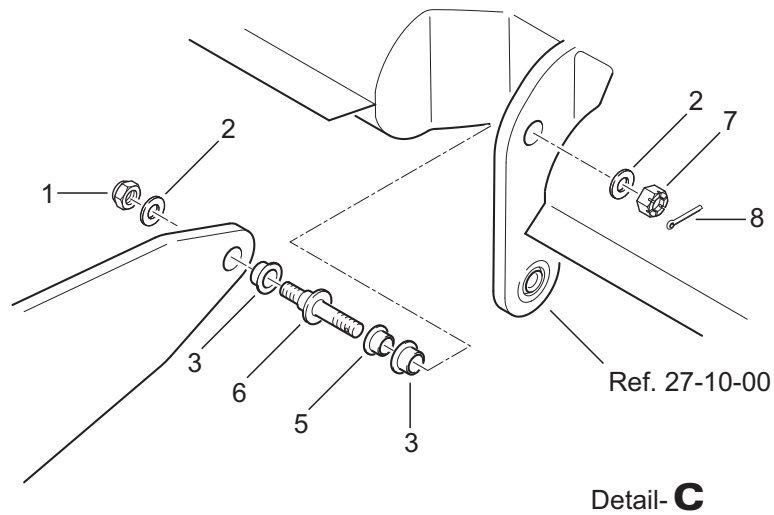
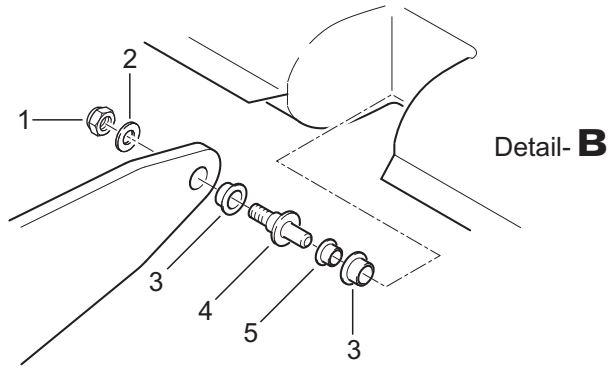
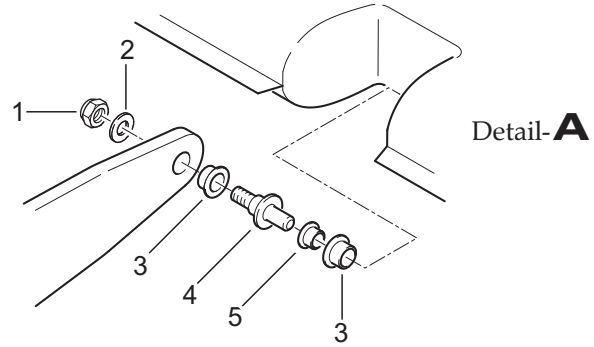
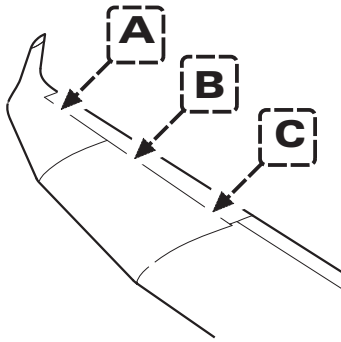
- Item not illustrated

Flap Installation
Figure 1

57-50-00

Page 3

15.02.13



Note: Right aileron installation is shown only.

Aileron Installation
Figure 2



Aviation by Excellence GmbH

AQUILA AT01

ILLUSTRATED PARTS CATALOG

Fig. Item	QTY	Part Number	Nomenclature	Effectivity
2	RF		Aileron Installation (Refer to 57-00-00, Fig. 1, Item 2 for NHA)	
1	3	1800985_M6	Stop Nut	
2	4	1800125_6,4	Washer	
3	6	AT01-4510-116	Bushing	
4	2	AT01-4510-114	Pin, Bearing	
5	3	PAF06070P10	Bushing	R
6	1	AT01-4510-115	Pin, Bearing	
7	1	1800935_M6	Castle Nut	
8	1	1800094_1,6x16	Split Pin	

- Item not illustrated

Aileron Installation
Figure 2

57-50-00

Page 5

15.02.13



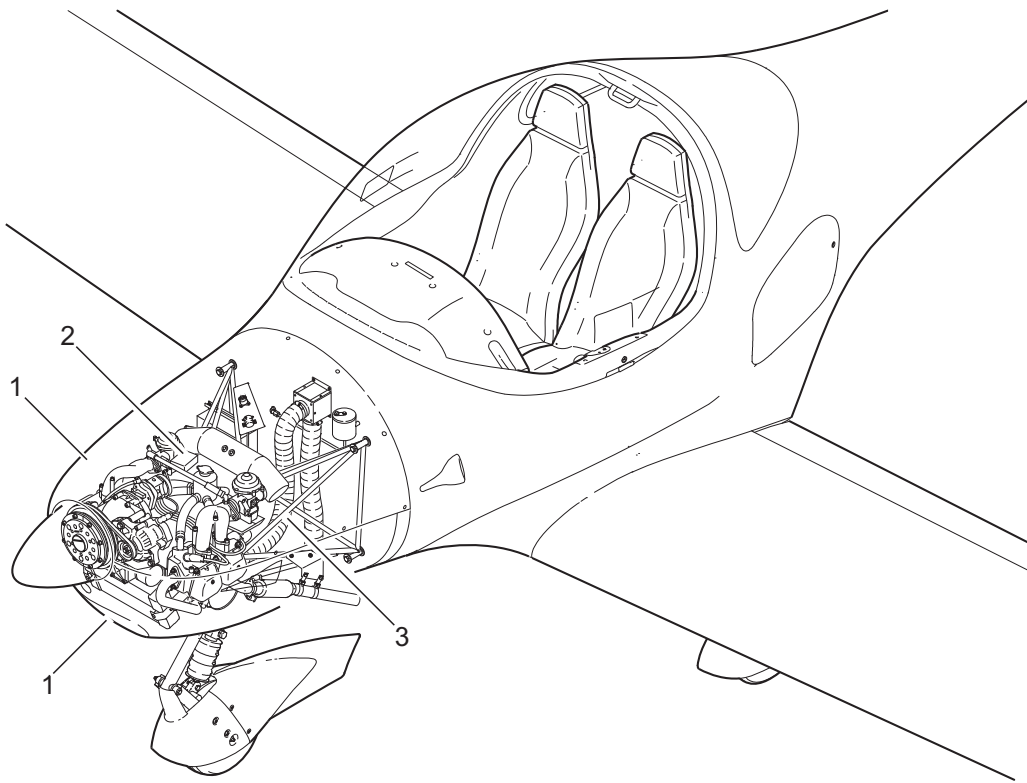
AQUILA AT01
ILLUSTRATED PARTS CATALOG

CHAPTER 71
POWER PLANT

TABLE OF CONTENTS

<u>Title</u> <u>Subject</u>	<u>Chapter</u> <u>Section</u> <u>Subject</u>	<u>Page</u>	<u>Effectivity</u>
POWER PLANT - GENERAL	71-00-00	1	
Power Plant - General	71-00-00	2	
COWLING	71-10-00	1	
Cowling / Air Intake Components	71-10-00	2	
ENGINE MOUNTS	71-20-00	1	
Engine Mount Components	71-20-00	2	
ELECTRICAL HARNESS	71-50-00	1	
Electrical Harness Components	71-50-00	2	

POWER PLANT
GENERAL



Power Plant - General
Figure 1

Fig. Item	QTY	Part Number	Nomenclature	Effectivity
1			Power Plant - General	
	1		Cowling / Air Intake Components (refer to 71-10-00, figure 1 for details)	
	2		Electrical Harness Components (refer to 71-50-00, figure 1 for details)	
	3		Engine Mount Components (refer to 71-20-00, figure 1 for details)	

- Item not illustrated

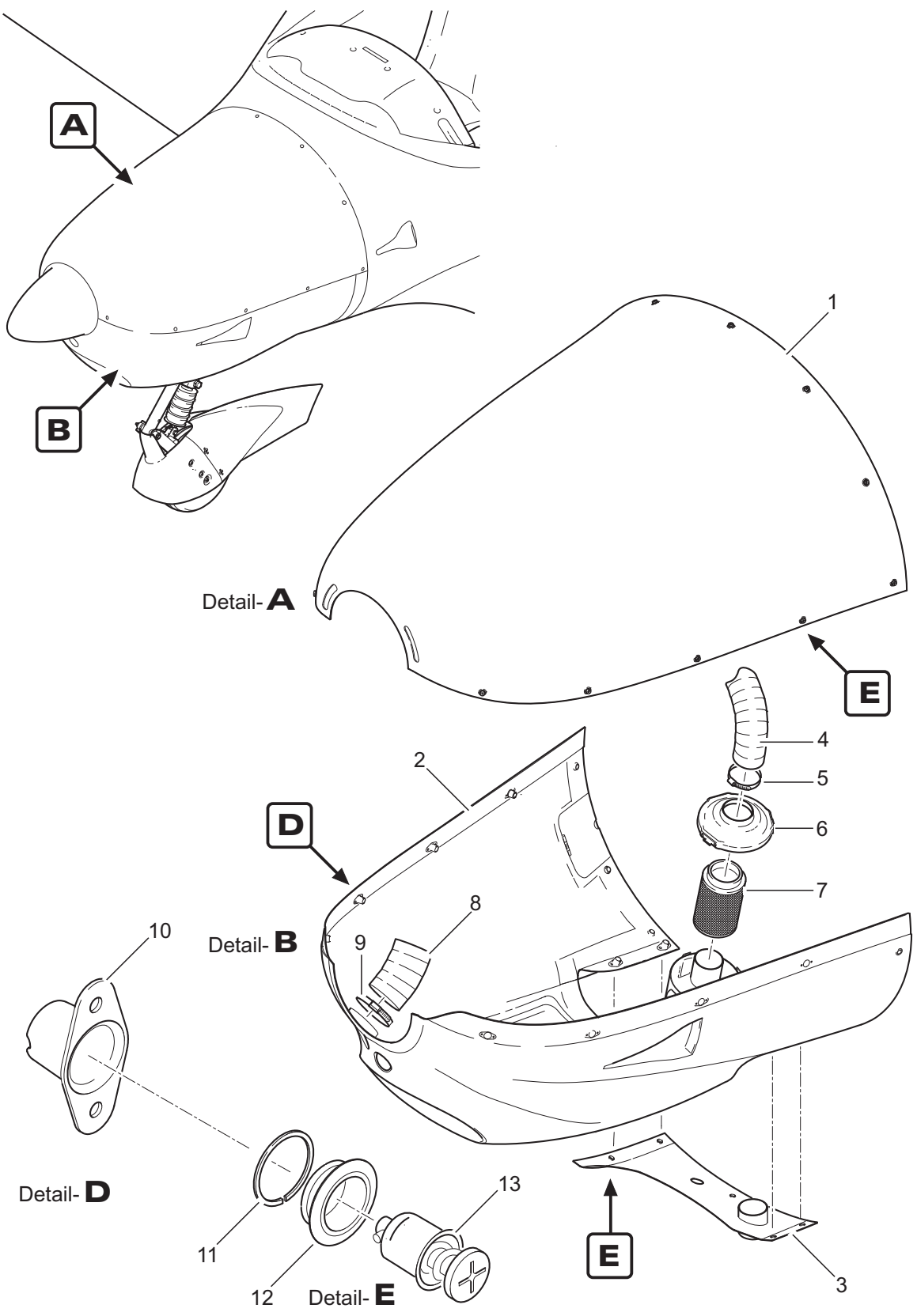
Power Plant - General
Figure 1

71-00-00

Page 3

29.04.16

COWLING



Cowling / Air Intake Components
Figure 1

Fig. Item	QTY	Part Number	Nomenclature	Effectivity
1			Cowling / Air Intake Components	
1	1	AT01-2130-001	upper cowling	
2	1	AT01-2130-002	lower cowling	110 - 189
	1	AT01-2130-006	lower cowling	190 - 299
	1	AT01-2130-013	lower cowling	SB-AT01-029
3	1	AT01-2130-104	cowling air outlet	127 - 299
4	1	AT01-4520-600	air hose (red / Ø 63mm / 680mm)	
5	1	AT01-4520-491	hose clamp (DIN 3017 50-70mm)	
6	1	AT01-7040-103	air box cap	
7	1	AT01-7040-101	air filter cartridge	
8	1	AT01-4520-558	air hose (red / Ø 83mm / 100mm)	
9	1	AT01-4520-493	clamp (DIN 3017 70-90mm)	
10	16	AT01-1840-582	Benloc receptacle	
	16	AT01-1840-562	Camloc receptacle (optional)	
11	16	AT01-1840-580	Camloc retaining washer	
12	16	AT01-1840-558	Camloc grommet	
13	16	AT01-1840-448/449/550	Camloc stud (5/6/7mm)	
- 14	1	AT01-4520-600	air hose for preheated air (red / Ø 63mm / 350mm)	

- Item not illustrated

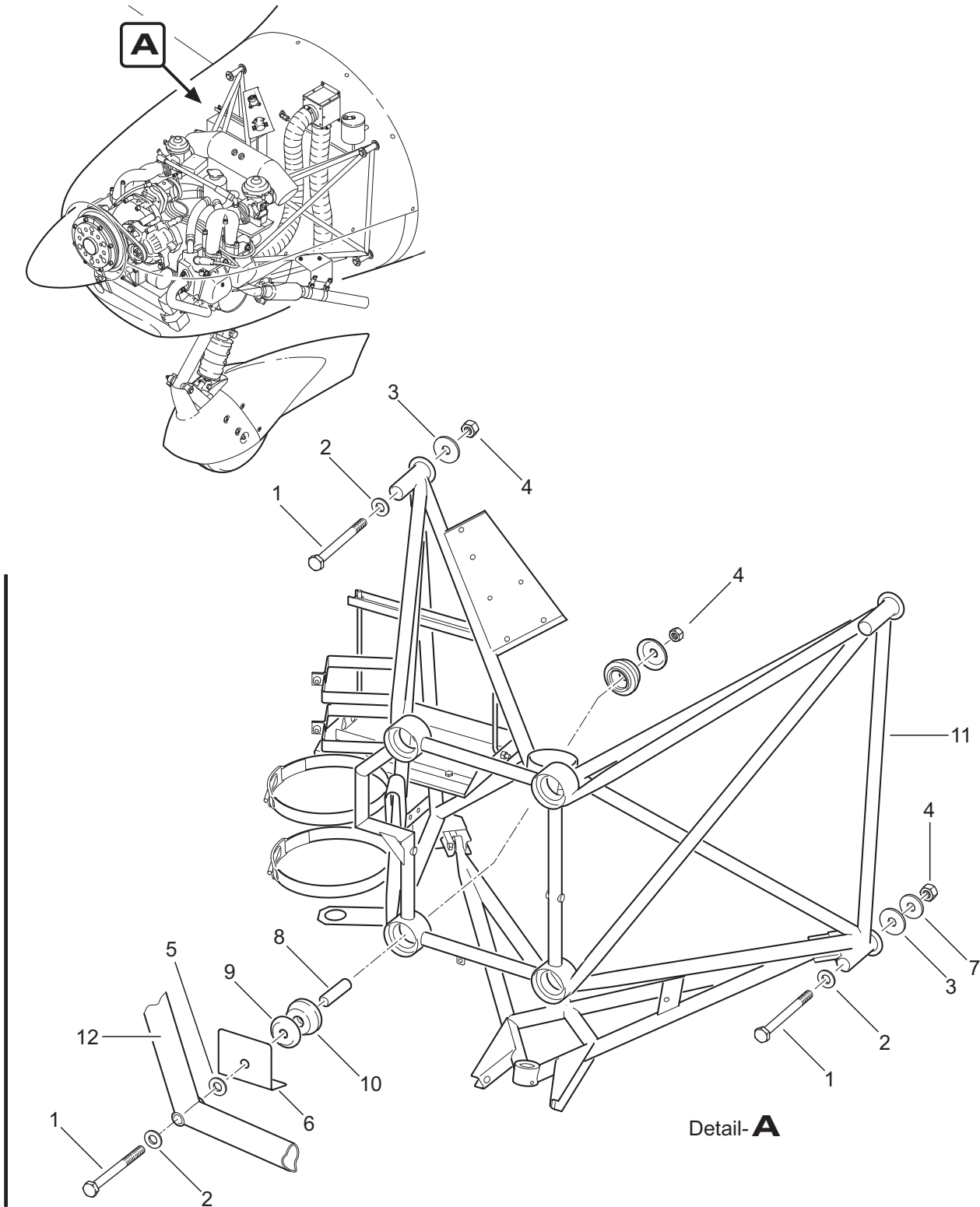
Cowling / Air Intake Components
Figure 1

71-10-00

Page 3

29.04.16

ENGINE MOUNTS



NOTE: 5 - right mounts only
6 - lower mounts only
7 - lower mounts only

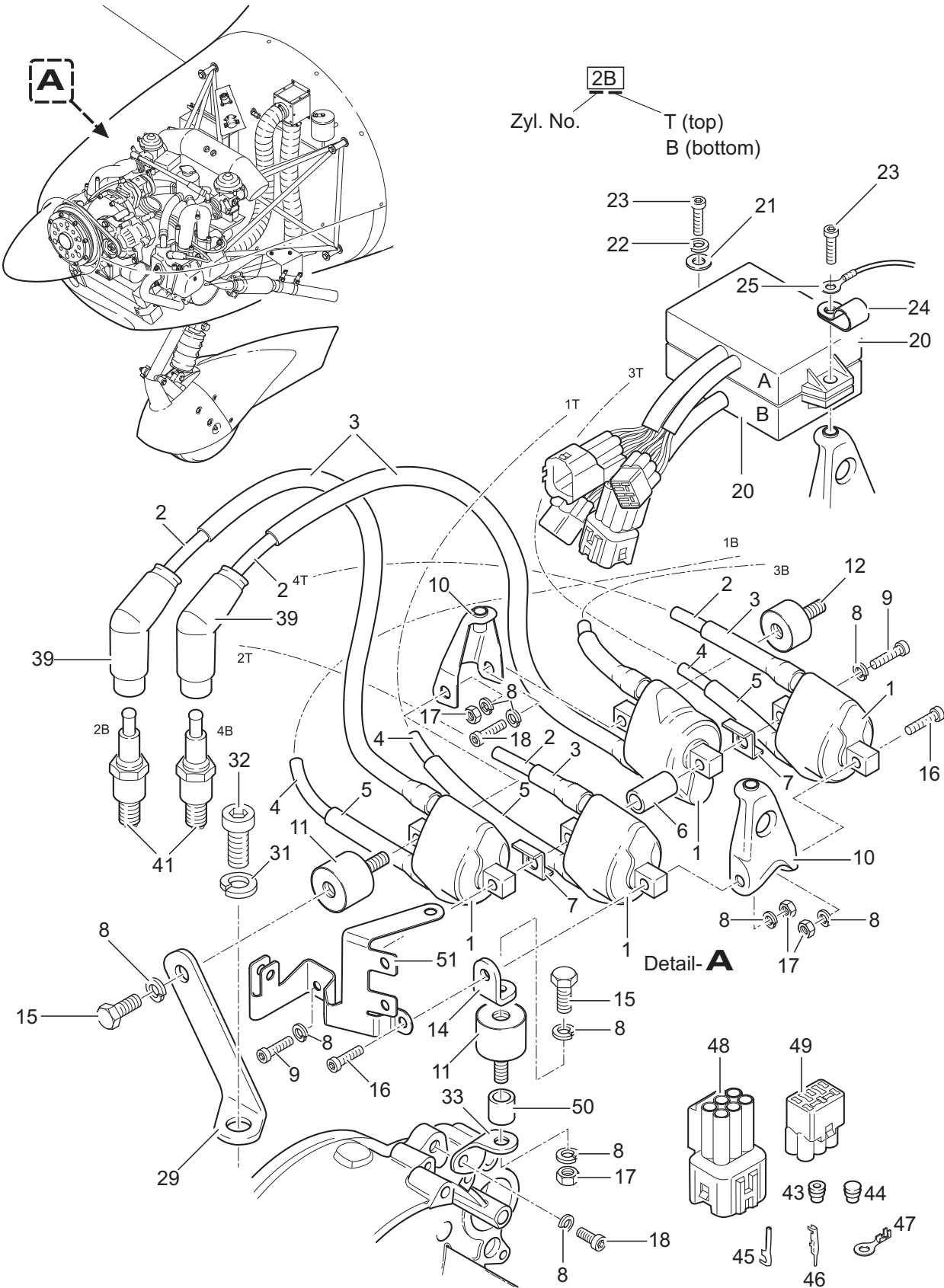
Engine Mount Components
Figure 1

Fig. Item	QTY	Part Number	Nomenclature	Effectivity
2			Engine Mount Components	
1	8	1800931_M10x110	bolt (DIN 931 M10x110)	
2	8	1800125_10,5	washer (DIN 125 10,5x20)	
3	4	1800440_11	washer (DIN 440 11x34)	
4	8	1806925 8VZ M10	locknut (DIN 6925 M10)	
5	2	1800125_10,5	washer (DIN 125 10,5x20)	(1)
6	2	AT01-7010-115	heat protection shield	
7	2	1806340_10,5	washer (DIN 6340 10,5x28)	(2)
8	4	AT01-7010-102	spacer tube	
9	8	AT01-7010-109	ending washer	
10	4	AT01-7010-111	shock mount	
11	1	AT01-7010-001	engine mount (old version)	(3)
	1	AT01-7010-007	engine mount (new version)	
12	1	AT01-7080-457	engine mount Rotax	

Notes:

- (1) Washers are installed with the old engine mount (AT01-7010-001) only.
- (2) Refer to SB-AT01-022.
- (3) No longer available. Replaced by AT01-7010-007.

ELECTRICAL HARNESS



Electrical Harness Components
Figure 1

Fig. Item	QTY	Part Number	Nomenclature	Effectivity
1			Electrical Harness Components	
1	4	Ro 966218	double ignition coil assy	
2	4	Ro 865710	ignition cable 7mm (620mm; in a roll)	
3	4	Ro 860990	protection hose (8x1x560mm; in a roll)	
4	4	Ro 865710	ignition cable 7mm (500mm; in a roll)	
5	4	Ro 860990	protection hose (8x1x450mm; in a roll)	
6	1	Ro 842742	distance nut (M6x22,5)	
7	2	Ro 953390	separating plate	
8	10	Ro 945751	lock washer (A6 DIN 128)	
9	2	Ro 840883	Allen screw (M6x30)	
10	2	Ro 953127	ignition coil bracket	
11	2	Ro 860710	rubber buffer	
12	1	Ro 960060	rubber buffer	
14	1	Ro 851260	ignition coil bracket 1	
15	2	Ro 240771	bolt (DIN 933 M6x10)	
16	2	Ro 241930	bolt (DIN 912 M6x20)	
17	4	Ro 242211	hex. nut (M6)	
18	2	Ro 241236	bolt (DIN 912 M6x16)	
20	2	Ro 966726	SMD-electronic module (standard from serial no. 4,923.058)	
21	1	Ro 827800	washer (DIN 6902 A5,5)	
22	1	Ro 945750	lock washer (DIN 128 A5 FST)	
23	2	Ro 240186	bolt (DIN 912 M5x25)	
24	1	Ro 851118	cable clamp (11/ M5)	
25	1	Ro 965788	mass cable assy	
29	1	Ro 851480	bracket	
31	1	Ro 945752	lock washer (A8)	
32	1	Ro 440191	bolt (DIN 912 M8x16)	
33	1	Ro 851263	bracket	
-34	2	Ro 860730	protection tube (silicone hose 120mm; in a roll, for 2 ignition cable bottom)	
-35	2	Ro 860741	marking sleeve 1	
-36	2	Ro 860742	marking sleeve 2	
-37	2	Ro 860743	marking sleeve 3	
-38	2	Ro 860744	marking sleeve 4	
39	8	Ro 265240	suppressed spark plug connector	
40	8	Ro 866710	clamp (142x2,5mm)	
41	8	Ro 297940	spark plug (12mm)	
-42	AR	Ro 251920	clamp (279x3,6mm; for 2 ignition cable bottom)	
43	AR	Ro 260130	cable grommet	
44	AR	Ro 260135	dummy plug	
45	AR	Ro 265275	Faston connector	
46	AR	Ro 265210	flat pin terminal	
47	AR	Ro 964055	cable shoe (M5)	
48	AR	Ro 265269	connector housing (6-pole)	
49	AR	Ro 265265	connector housing (6-pole)	
50	1	Ro 847700	spacer (6/10/11)	
51	1	Ro 853125	connector bracket	

- Item not illustrated

Electrical Harness Components
Figure 1

71-50-00

Page 3

29.04.16



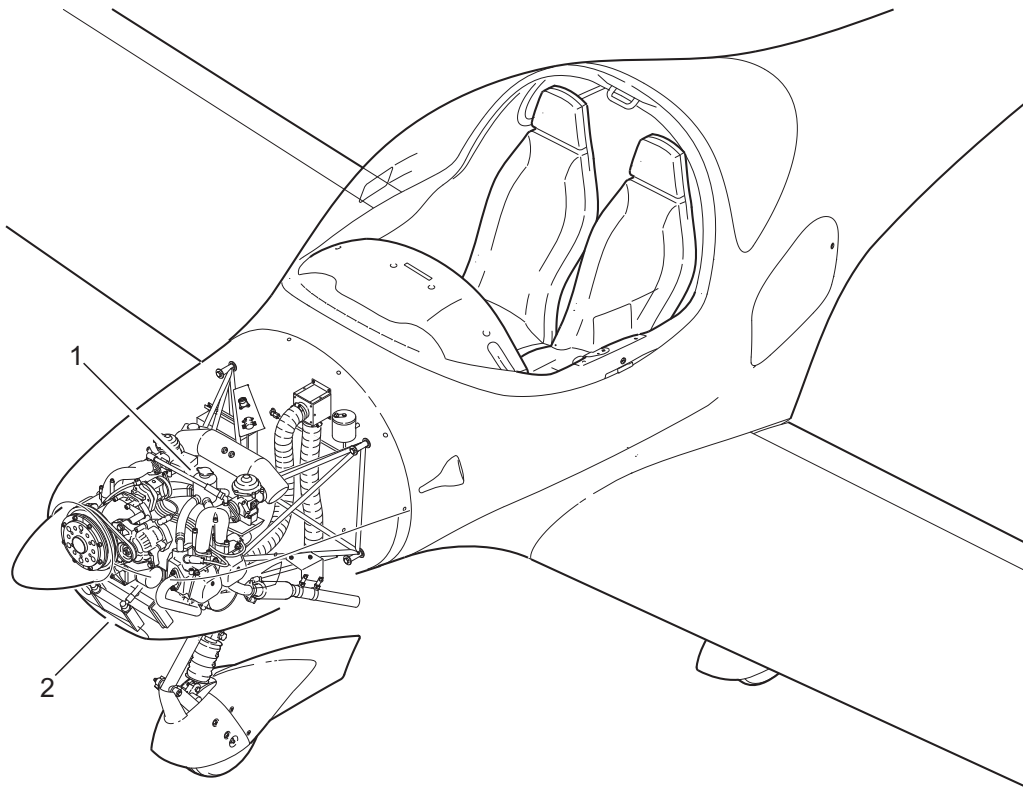
AQUILA AT01
ILLUSTRATED PARTS CATALOG

CHAPTER 75
ENGINE COOLING

TABLE OF CONTENTS

<u>Title</u> <u>Subject</u>	<u>Chapter</u> <u>Section</u> <u>Subject</u>	<u>Page</u>	<u>Effectivity</u>
ENGINE COOLING - GENERAL	75-00-00	1	
Engine Cooling - General	75-00-00	2	
Water Cooling	75-00-00	4A	
Water Cooling	75-00-00	4B	SB-AT01-029
Air Cooling	75-00-00	6	

ENGINE COOLING
GENERAL



Engine Cooling - General
Figure 1

Fig. Item	QTY	Part Number	Nomenclature	Effectivity
1			Engine Cooling - General	
	1		Water Cooling (refer to 75-00-00, figure 2A for details)	SB-AT01-029
	1		Water Cooling (refer to 75-00-00, figure 2B for details)	
	2		Air Cooling (refer to 75-00-00, figure 3 for details)	

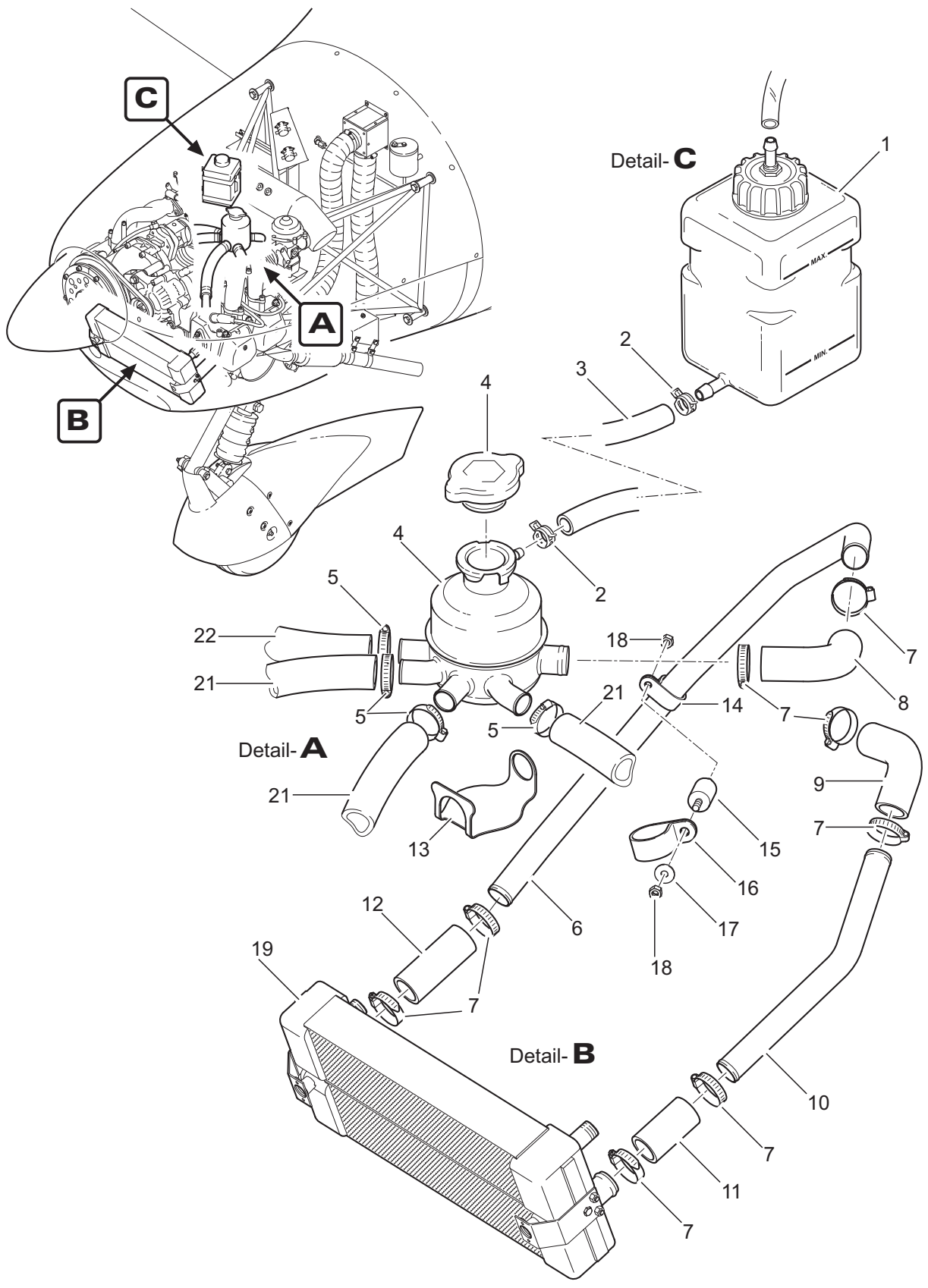
- Item not illustrated

Engine Cooling - General
Figure 1

75-00-00

Page 3

29.04.16



Water Cooling
Figure 2A

Fig. Item	QTY	Part Number	Nomenclature	Effectivity
2A			Water Cooling	
1	1	AT01-7000-150	overflow bottle with cap	
2	2	AT01-4520-462	Cobra clamp	
3	1	AT01-4520-427	fuel hose (DIN 73379, 1200mm)	
4	1	AT01-7050-110	expansion tank with cap	
5	4	AT01-7080-409	spring clamp	
6	1	AT01-7050-100	cooling pipe expansion tank / cooler	
7	8	AT01-4520-489	hose clamp	
	8	AT01-4520-458	hose clamp (optional)	
8	1	AT01-7050-106	hose elbow expansion tank (cut from AT01-1870-222)	
9	1	AT01-7050-105	hose elbow pump (cut from AT01-1870-222)	
10	1	AT01-7050-101	cooling pipe pump / cooler	
11	1	AT01-7050-111	cooling hose LH (cut from AT01-1870-222 or -223)	
12	1	AT01-7050-109	cooling hose RH (cut from AT01-1870-222 or -223)	
13	1	AT01-7080-455	Rubber Plate	
14	1	AT01-4520-469	pipe clamp	
15	1	AT01-7050-112	rubber buffer	
16	1	AT01-4520-478	pipe clamp	
17	3	1809021_6,4	washer (DIN 9021 6,4x18)	
18	2	1800985_M6	locknut (DIN 985 M6)	
19	1	AT01-7050-300	oil and water cooler	
- 20	1	AT01-7070-110	heat protection foil (150mm)	
21	3	AT01-7080-405	hose	
22	1	AT01-7080-232	hose (Rotax: 922192)	

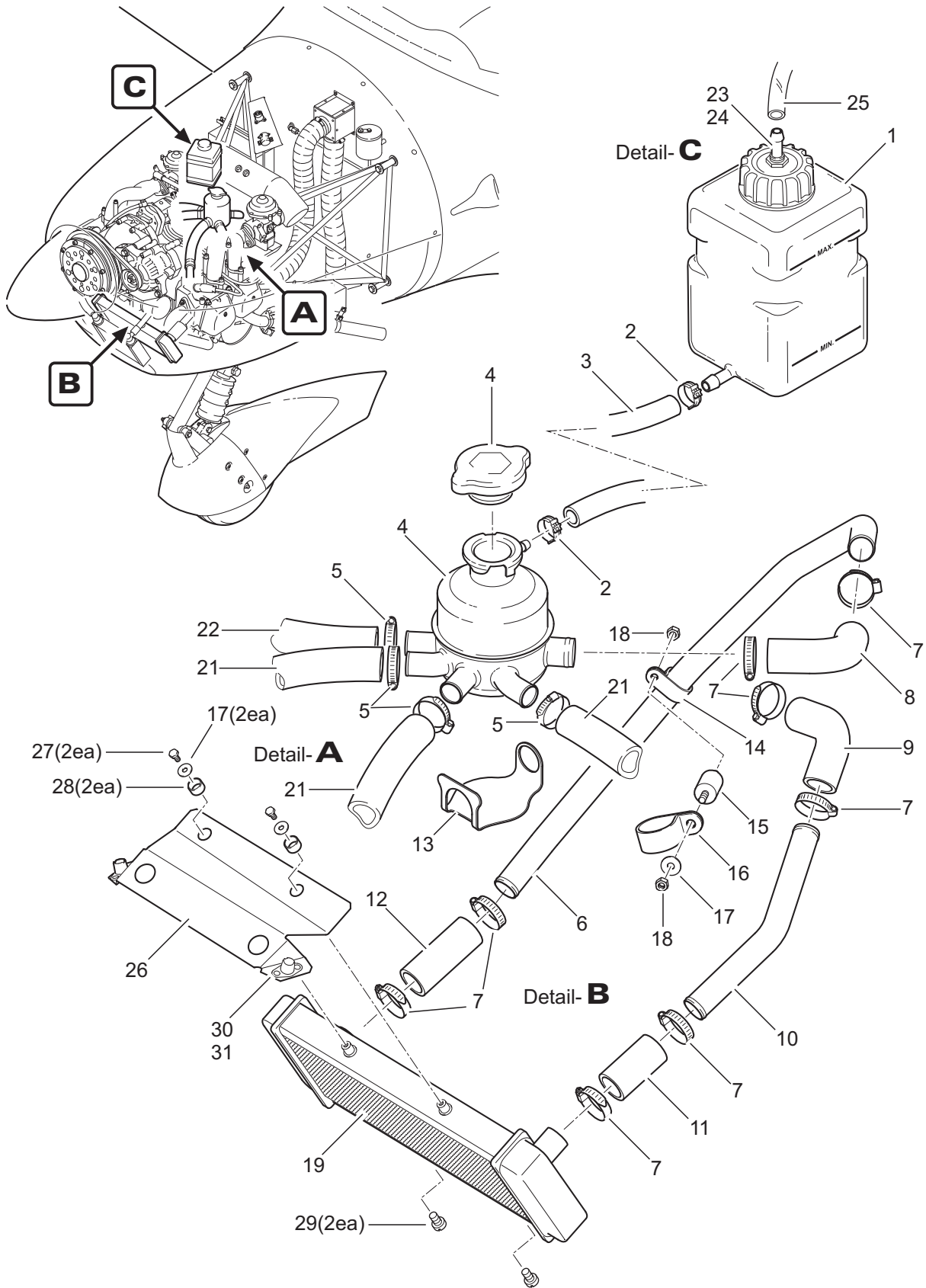
- Item not illustrated

Water Cooling
Figure 2A

75-00-00

Page 5A

29.04.16



EFFECTIVITY
Cooling system
retrofit
SB-AT01-029

Water Cooling
Figure 2B

75-00-00

Fig. Item	QTY	Part Number	Nomenclature	Effectivity
2B			Water Cooling	SB-AT01-029
1	1	AT01-7000-150	overflow bottle with cap	
2	2	AT01-4520-462	Cobra hose clamp	
3	1	AT01-4520-427	fuel hose (DIN 73379, 1200mm)	
4	1	AT01-7050-110	expansion tank with cap	
5	4	AT01-7080-409	spring clamp	
6	1	AT01-7050-129	cooling pipe expansion tank / cooler	
7	8	AT01-4520-458	hose clamp	
8	1	AT01-7050-106	hose elbow expansion tank (cut from AT01-1870-222)	
9	1	AT01-7050-105	hose elbow pump (cut from AT01-1870-222)	
10	1	AT01-7050-131	cooling pipe pump / cooler	
11	1	AT01-7050-111	cooling hose LH (cut from AT01-1870-222 or -223)	
12	1	AT01-7050-109	cooling hose RH (cut from AT01-1870-222 or -223)	
13	1	AT01-7080-455	Rubber Plate	
14	1	AT01-4520-469	pipe clamp	
15	1	AT01-7050-112	rubber buffer	
16	1	AT01-4520-478	pipe clamp	
17	3	1809021_6,4	washer (DIN 9021 6,4x18)	
18	2	1800985_M6	locknut (DIN 985 M6)	
19	1	AT01-7050-303	water cooler	
- 20	2	AT01-7070-110	heat protection foil (150mm)	
21	3	AT01-7080-405	hose	
22	1	AT01-7080-232	hose (Rotax: 922192)	
23	1	AT01-4510-136	hose nozzle	
24	2	AT01-4520-228	nut	
25	1	AT01-4520-100	hose (725mm, secured with cable tie AT01-4530-927)	
26	1	AT01-7050-125	cooler mounting bracket	
	1	AT01-7050-149	cooler mounting bracket (new oil cooler; refer to SI-AT01-018 annex 18)	
27	2	1800933_M6x12	bolt (DIN 933 M6x12)	
28	2	AT01-7050-132	spacer sleeve	
29	2	1801207_M6x10_PA	bolt (ISO 1207 M6x10 PA)	
30	2	AT01-1840-582	Benloc receptacle	
31	4	1807337_3,2x6 ES/ES	rivet (DIN 7337 3,2x6)	

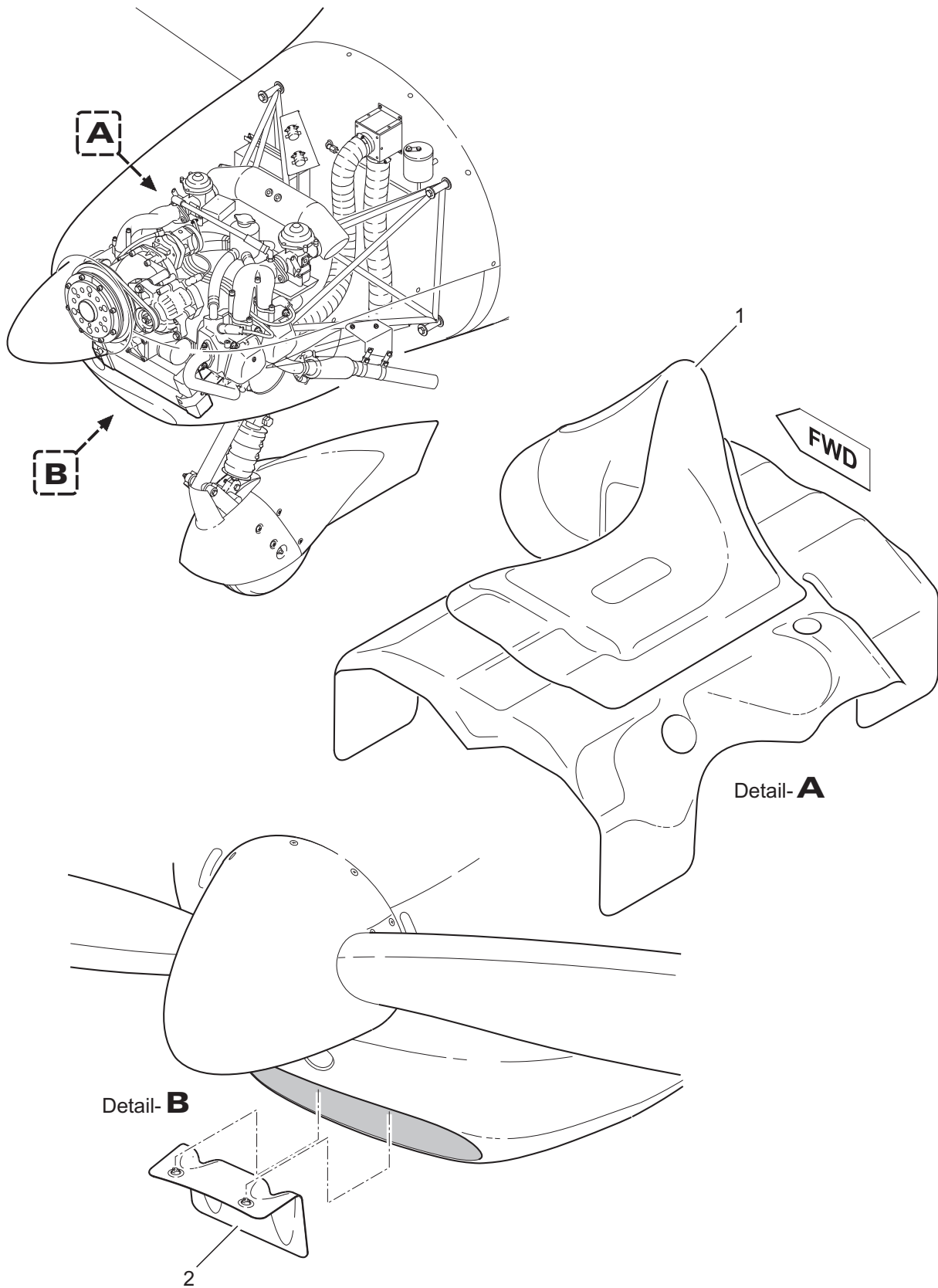
- Item not illustrated

Water Cooling
Figure 2B

75-00-00

Page 5B

29.04.16



Air Cooling
Figure 3

Fig. Item	QTY	Part Number	Nomenclature	Effectivity
3			Air Cooling	
	1	Ro 975796	cooling air baffle	
	2	AT01-7050-003	winter plate	
		1	AT01-7050-013	SB-AT01-029

- Item not illustrated

Air Cooling
Figure 3

75-00-00

Page 7

29.04.16



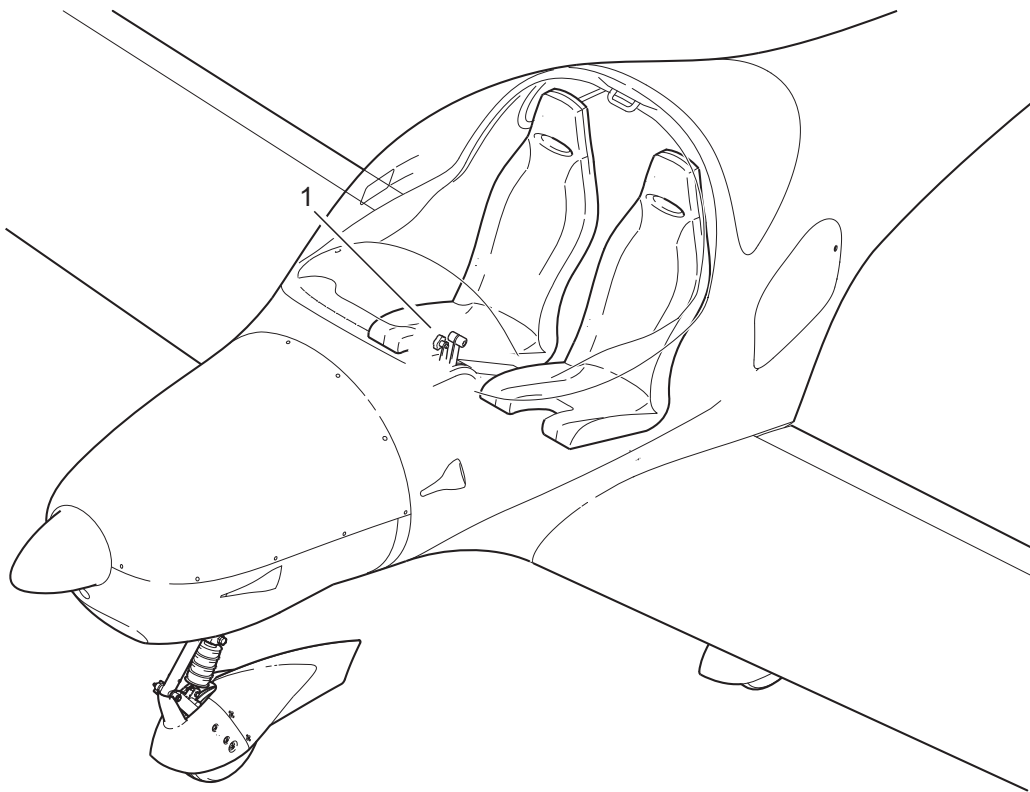
AQUILA AT01
ILLUSTRATED PARTS CATALOG

CHAPTER 76
ENGINE CONTROLS

TABLE OF CONTENTS

<u>Title</u> <u>Subject</u>	<u>Chapter</u> <u>Section</u> <u>Subject</u>	<u>Page</u>	<u>Effectivity</u>
ENGINE CONTROLS - GENERAL	76-00-00	1	
Engine Controls - General	76-00-00	2	
Throttle / Propeller Control Installation	76-00-00	4	
Choke Control Installation	76-00-00	6	
Carburetor Heat Control Installation	76-00-00	8	

ENGINE CONTROLS
GENERAL



Engine Controls - General
Figure 1

Fig. Item	QTY	Part Number	Nomenclature	Effectivity
1			Engine Controls - General	
	1		Throttle / Propeller Control Installation (refer to 76-00-00, figure 2 for details)	
	1		Choke Control Installation (refer to 76-00-00, figure 3 for details)	
	1		Carburetor Heat Control Installation (refer to 76-00-00, figure 4 for details)	

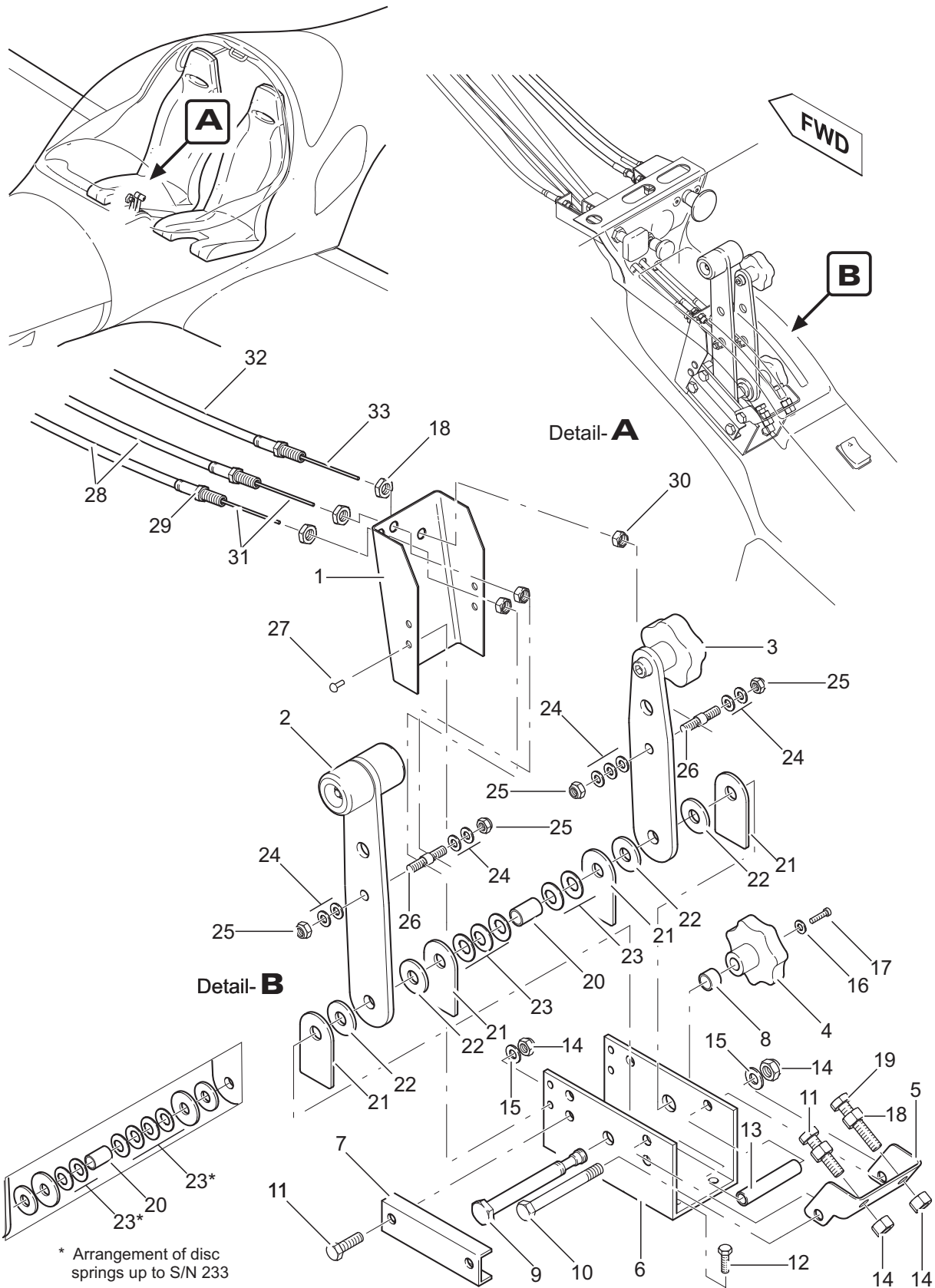
- Item not illustrated

Engine Controls - General
Figure 1

76-00-00

Page 3

29.04.16



Throttle / Propeller Control Installation
Figure 2

Fig. Item	QTY	Part Number	Nomenclature	Effectivity
2			Throttle / Propeller Control Installation	
1	1	AT01-7020-124	guide plate	
2	1	AT01-7020-004	throttle control lever	
3	1	AT01-7020-005	propeller pitch control lever	
4	1	AT01-7020-102	knob	
5	1	AT01-7020-125	stopper plate	
6	1	AT01-7020-120	mounting bracket	
7	1	AT01-7020-121	axle latching	
8	1	AT01-7020-122	bushing	
9	1	AT01-7020-117	axle	
10	2	1800931_M6x60	bolt (DIN 931 M6x60)	
11	3	1800931_M6x25	bolt (DIN 931 M6x25)	
12	4	1800931_M5x16	bolt (DIN 931 M5x16)	
13	2	AT01-7020-123	bushing	
14	6	1800985_M6	locknut (DIN 985 M6)	
15	4	1800125_6,4	washer (DIN 125 6,4x12)	
16	1	1800125_4,3	washer (DIN 125 4,3x8)	
17	1	1807380_4x8	bolt (ISO 7380 M4x8)	
18	5	1800934_M6	nut (DIN 934 M6)	
19	1	1800933_M6x40	bolt (DIN 933 M6x40)	
20	1	AT01-7020-119	bushing	
21	4	AT01-7020-145	bearing plate	
		1809021_8,4	washer (DIN 9021 8,4x24) (replaced by AT01-7020-145)	
22	4	AT01-7020-112	friction washer	
23	6	1802093_8,2	disc spring (DIN 2093 8,2x16x0,9)	101 - 233
	5	1802093_8,2	disc spring (DIN 2093 8,2x16x0,9)	234 - 299
24	9	1800125_5,3	washer (DIN 125 5,3x10)	
25	4	1800985_M5	locknut (DIN 985 M5)	
26	2	AT01-7020-107	cable clamping screw	
27	4	1807337_4x8Al/St	rivet (DIN 7337 4x8)	
28	2	AT01-7020-130	Bowden cable housing (1150mm)	
29	3	AT01-7020-131	adjusting screw	
30	3	part of 7020-131	nut	
31	2	AT01-7020-108	Bowden cable (1500mm)	
32	1	AT01-7020-130	Bowden cable housing (1900mm)	
33	1	AT01-7020-108	Bowden cable (2000mm)	

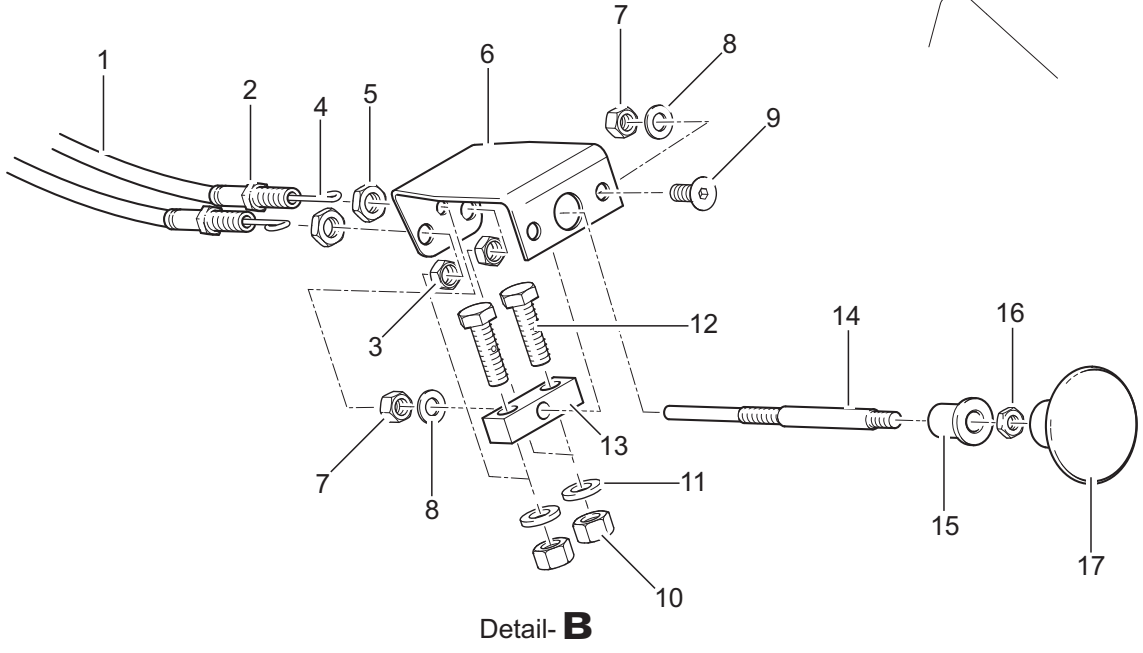
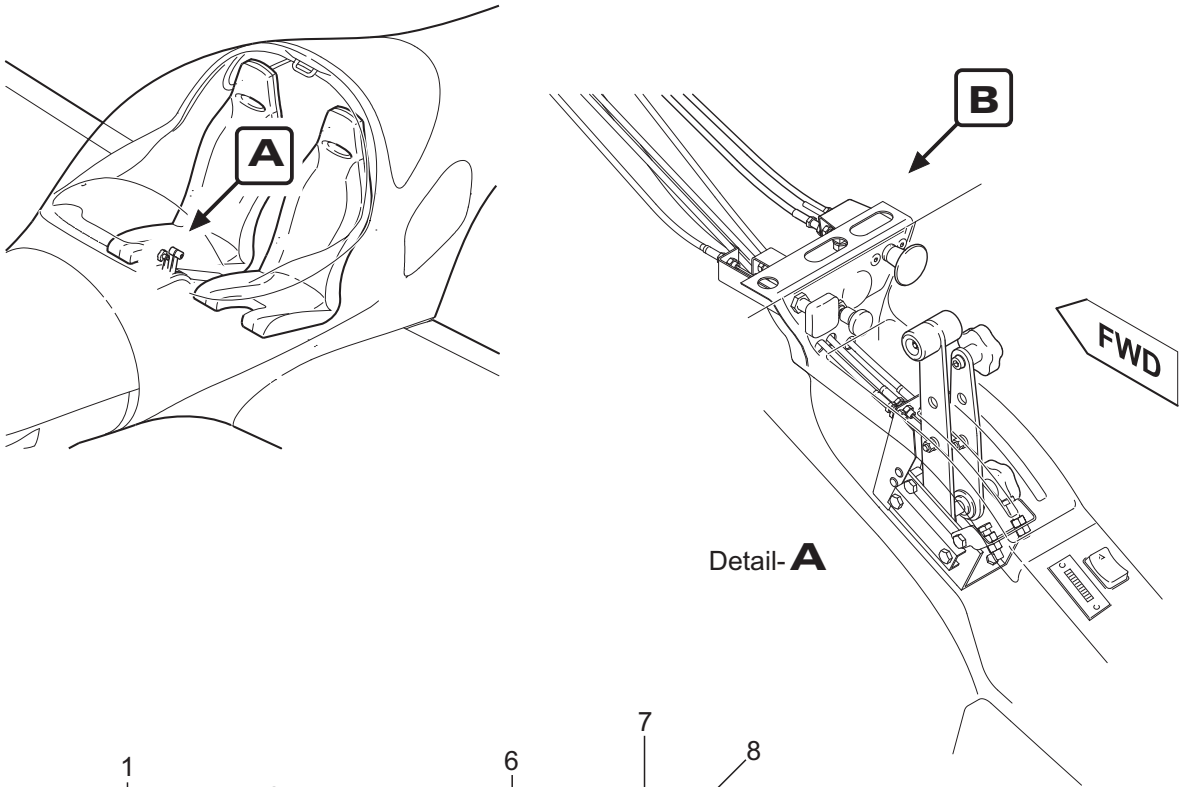
- Item not illustrated

Throttle / Propeller Control Installation
Figure 2

76-00-00

Page 5

29.04.16



Choke Control Installation
Figure 3

Fig. Item	QTY	Part Number	Nomenclature	Effectivity
3			Choke Control Installation	
1	2	AT01-7020-130	Bowden cable housing (1075mm)	
2	2	AT01-7020-131	adjusting screw	
3	2	part of 7020-131	nut	
4	2	AT01-7020-129	Bowden cable (2500mm)	
5	2	1800439_M6	nut (DIN 439 M6)	
6	1	AT01-7020-118	mounting bracket	
7	3	1800985_M5	locknut (DIN 985 M5)	
8	3	1800125_5,3	washer (DIN 125 5,3x10)	
9	2	1807991_M5	bolt (DIN 7991 M5)	
10	2	1800985_M6	locknut (DIN 985 M6)	
11	2	1800125_6,4	washer (DIN 125 6,4x10)	
12	2	AT01-7020-110	clamping screw	
13	1	AT01-7020-111	clamp	
14	1	AT01-7020-109	pull rod	
15	1	1850028	bearing bush	
16	1	1800439_M5	nut (DIN 439 M5)	
17	1	AT01-7020-128	control knob	

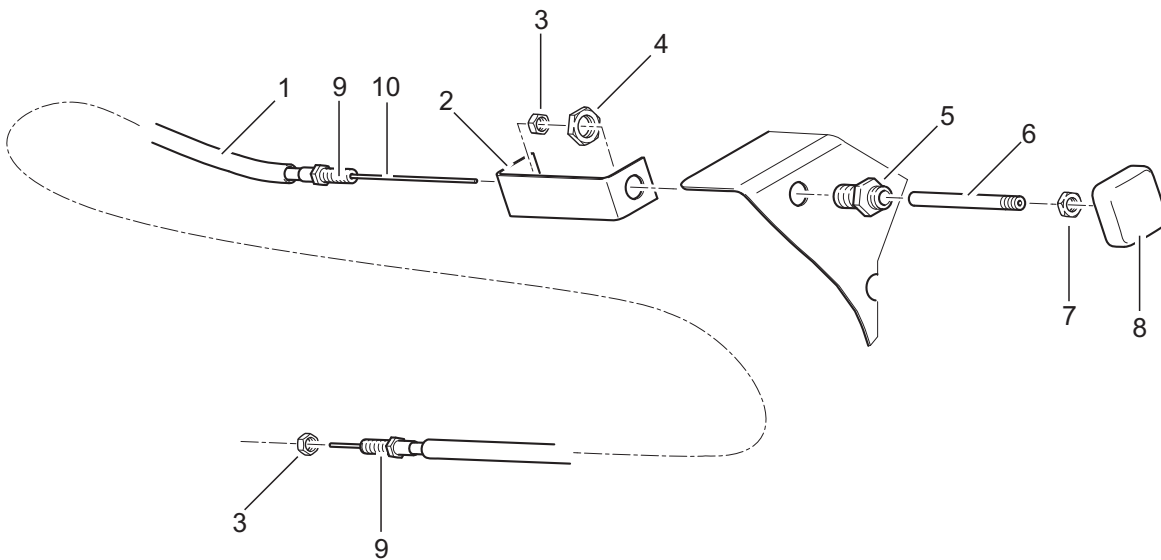
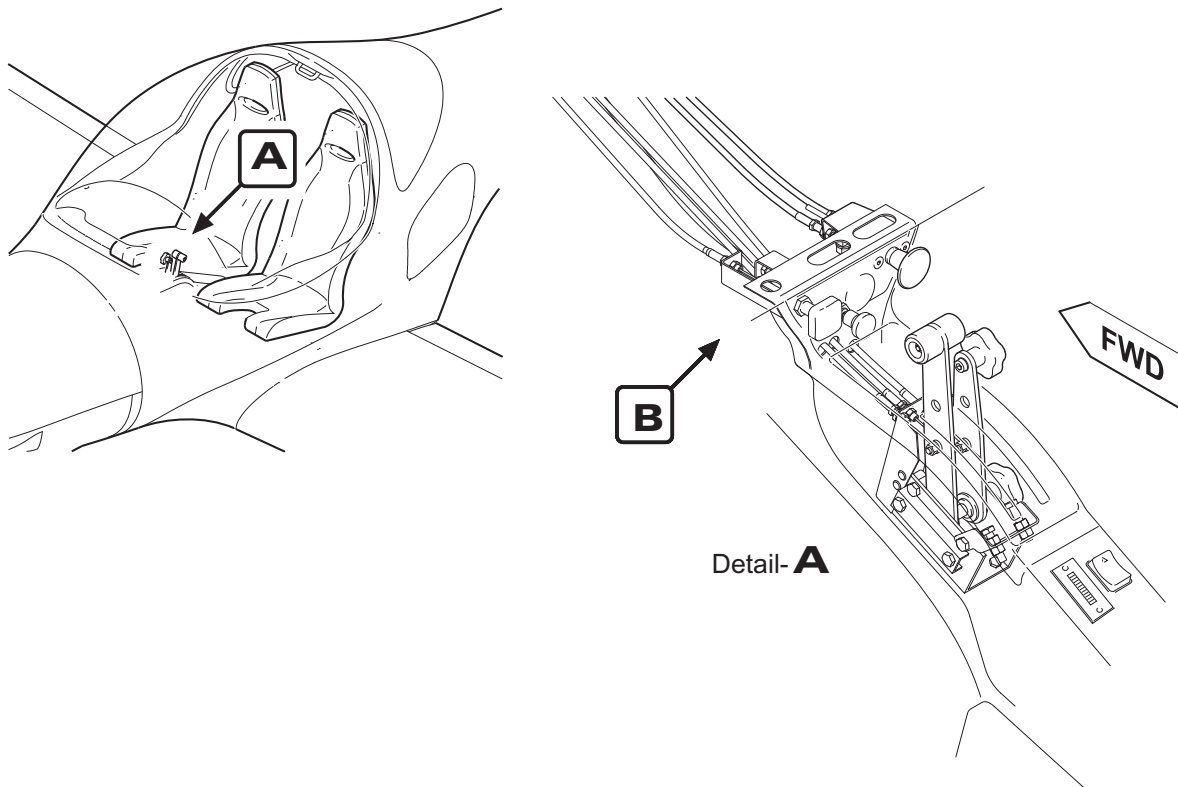
- Item not illustrated

Choke Control Installation
Figure 3

76-00-00

Page 7

29.04.16



Carburetor Heat Control Installation
Figure 4

Fig. Item	QTY	Part Number	Nomenclature	Effectivity
4			Carburetor Heat Control Installation	
1	1	AT01-7020-130	Bowden cable housing (1080mm)	
2	1	AT01-7020-114	mounting bracket	
3	2	AT01-7020-132	nut (M6)	
4	1	AT01-4520-228	nut (M10)	
5	1	AT01-4510-149	bulkhead fitting (M10)	
6	1	AT01-7020-126	pull rod	
7	1	1800439_M6	nut (DIN 439 M6)	
8	1	AT01-7020-106	control knob	
9	2	AT01-4510-135	adjusting screw	
10	1	AT01-7020-108	Bowden cable (1320mm)	
-11	2	AT01-4520-424	PVC hose (500mm in front of / 400mm behind firewall)	

- Item not illustrated

Carburetor Heat Control Installation
Figure 4

76-00-00

Page 9

29.04.16



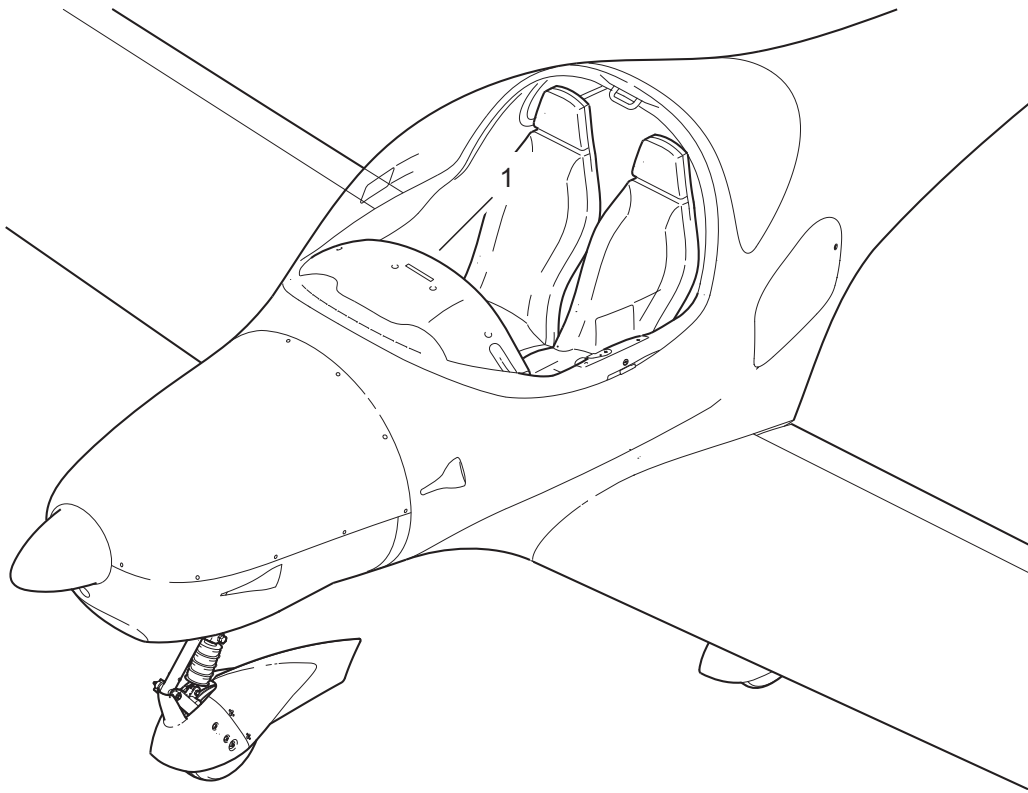
AQUILA AT01
ILLUSTRATED PARTS CATALOG

CHAPTER 77
ENGINE INDICATING

TABLE OF CONTENTS

<u>Title</u> <u>Subject</u>	<u>Chapter</u> <u>Section</u> <u>Subject</u>	<u>Page</u>	<u>Effectivity</u>
ENGINE INDICATING - GENERAL	77-00-00	1	
Engine Indicating - General	77-00-00	2	
Engine Indicating - Instruments / Probes	77-00-00	4	

**ENGINE INDICATING
GENERAL**



Engine Indicating - General
Figure 1

Fig. Item	QTY	Part Number	Nomenclature	Effectivity
1			Engine Indicating - General	
	1		Engine Indicating - Instruments / Probes (refer to 77-00-00, figure 2 for details)	

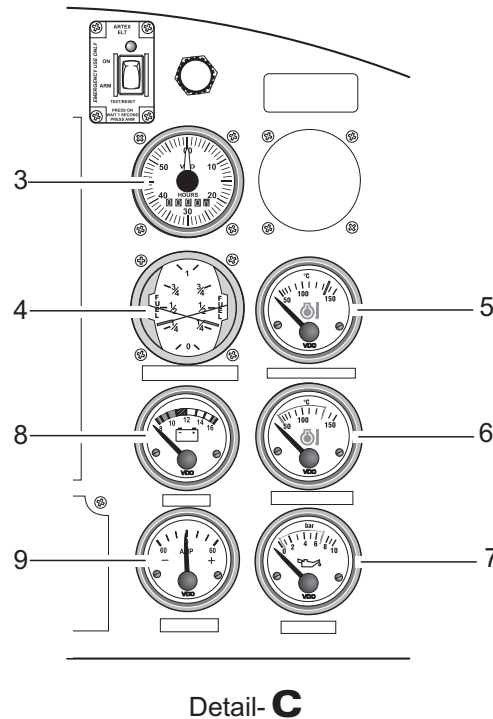
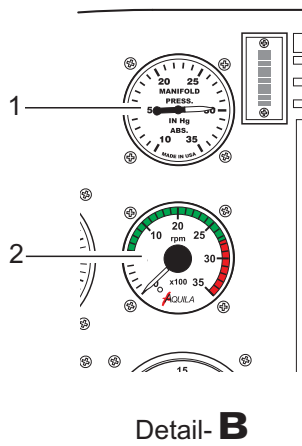
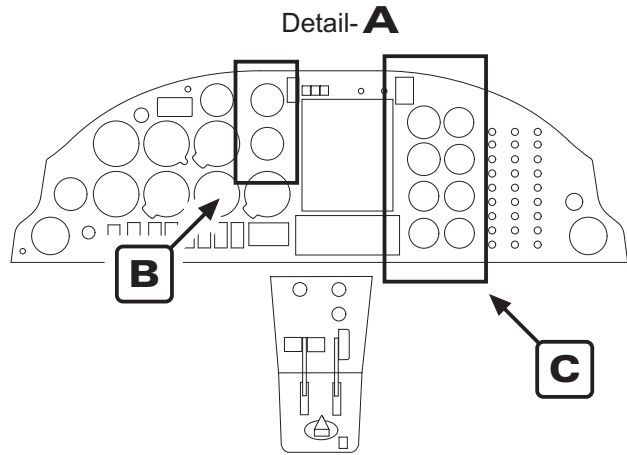
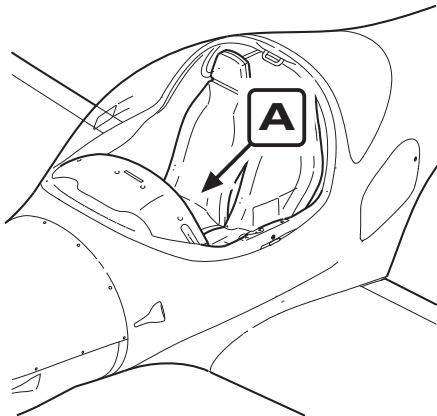
- Item not illustrated

Engine Indicating - General
Figure 1

77-00-00

Page 3

29.04.16



Engine Indicating - Instruments / Probes
Figure 2

Fig. Item	QTY	Part Number	Nomenclature	Effectivity
2			Engine Indicating Components	
1	1	AT01-2840-129	manifold pressure gauge	
2	1	AT01-7030-100	propeller tachometer Aviasport	(1)
	1	AT01-7030-103	propeller tachometer UMA (optional)	
3	1	AT01-2840-185	operating hours meter (VDO)	
	1	AT01-2840-186	operating hours meter (Winter; FSZM analog)	
	1	AT01-2840-188	operating hours meter	
	1	AT01-2840-189	operating hours meter (Bauser)	
	1	AT01-2840-190	operating hours meter (Hobbs Hourmeter Type 5000)	
4	1	AT01-2840-122	dual fuel level gauge (capacitive type sender)	101-250, (2)
	1	AT01-2840-202	single fuel level gauge "NGF" (capacitive type sender)	101-250, (2)
	1	AT01-2840-203	dual fuel level gauge "NGF" (capacitive type sender)	101-250, (2)
	1	AT01-2840-206	dual fuel level gauge (float type sender; old wiring)	251-299, (3), (5)
	1	AT01-2840-220	dual fuel level gauge (float type sender; new wiring)	251-299, (5)
5	1	AT01-2840-127	cylinder head temperature gauge (135°C CHT limit)	(6)
	1	AT01-2840-218	cylinder head temperature gauge (129°C CHT limit)	(6)
	1	AT01-2840-225	cylinder head temperature gauge (120°C CHT limit)	(6)
6	1	AT01-2840-123	oil temperature gauge	
7	1	AT01-2840-125	oil pressure gauge	(4)
	1	AT01-2840-165	oil pressure gauge	
8	1	AT01-2840-126	voltmeter	
9	1	AT01-2840-121	ammeter	
-10	1	AT01-8040-002	fuel gauge calibration module (optional; old wiring)	251-299, (5)
	1	AT01-8040-001	fuel gauge calibration module (optional; new wiring)	251-299, (5)

Notes:

- (1) Replaced by AT01-7030-103. Refer to SI-AT01-018 (annex 2).
- (2) Two different types of capacitive fuel level indicating systems are in use. The systems are not compatible to each other and require specific fuel level senders and gauges. Refer to 28-00-00 for further information.
- (3) No longer available. Replaced by AT01-2840-220. Refer to SI-AT01-018 (annex 1).
- (4) No longer available. Replaced by AT01-2840-165.
- (5) The calibration module is installed on the back of the fuel level gauge (float type sender only) and used for easier calibration of the gauge.

Fuel level senders

Fuel gauge calibration modules require specific levers on the fuel level senders:

If the gauge is operated without a calibration module, the lever AT01-8030-178 must be used.

If a calibration module is installed, the lever AT01-8030-186 must be used.

Wiring versions

Fuel gauge AT01-2840-206 is compatible with calibration module AT01-8040-002 only (old wiring).

Fuel gauge AT01-2840-220 is compatible with calibration module AT01-8040-001 only (new wiring).

- (6) Cylinder head temperature limit depends on the type of cooling system and the type of Rotax cylinder heads installed.
 - Standard cooling system (combined water/oil radiator; coolant: propylene glycol): CHT limit 135°C
 - Retrofit cooling system (separate water/oil radiators; coolant: water/ethylene glycol): CHT limit 120°C/129°C
 Refer to SB-AT01-029 for further information.

- Item not illustrated

Engine Indicating - Instruments / Probes
Figure 2

77-00-00

Page 5

29.04.16



Aviation by Excellence GmbH

AQUILA AT01
ILLUSTRATED PARTS CATALOG

CHAPTER 78

EXHAUST



Aviation by Excellence GmbH

AQUILA AT01

ILLUSTRATED PARTS CATALOG

TABLE OF CONTENTS

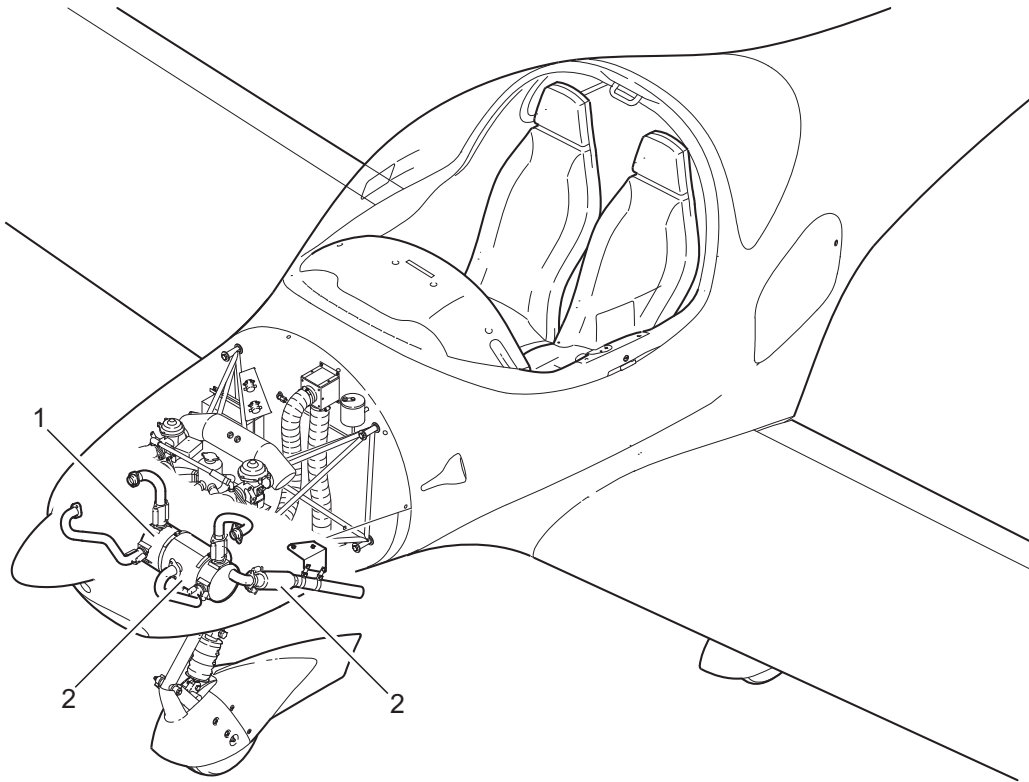
<u>Title</u> <u>Subject</u>	<u>Chapter</u> <u>Section</u> <u>Subject</u>	<u>Figure</u>	<u>Page</u>	<u>Effectivity</u>
EXHAUST - GENERAL	78-00-00		1	
Exhaust - General	78-00-00	1	2	
Exhaust Muffler Installation	78-00-00	2	4	
Heat Exchanger / Second Muffler Installation	78-00-00	3	6	



Aviation by Excellence GmbH

AQUILA AT01
ILLUSTRATED PARTS CATALOG

EXHAUST - GENERAL



Exhaust - General
Figure 1



Aviation by Excellence GmbH

AQUILA AT01

ILLUSTRATED PARTS CATALOG

Fig. Item	QTY	Part Number	Nomenclature	Effectivity
1			Exhaust - General	
	1		Exhaust Muffler Installation, (Refer to 78-00-00, Figure 2 for Details)	
	2		Heat Exchanger / Second Muffler Installation, (Refer to 78-00-00, Figure 3 for Details)	

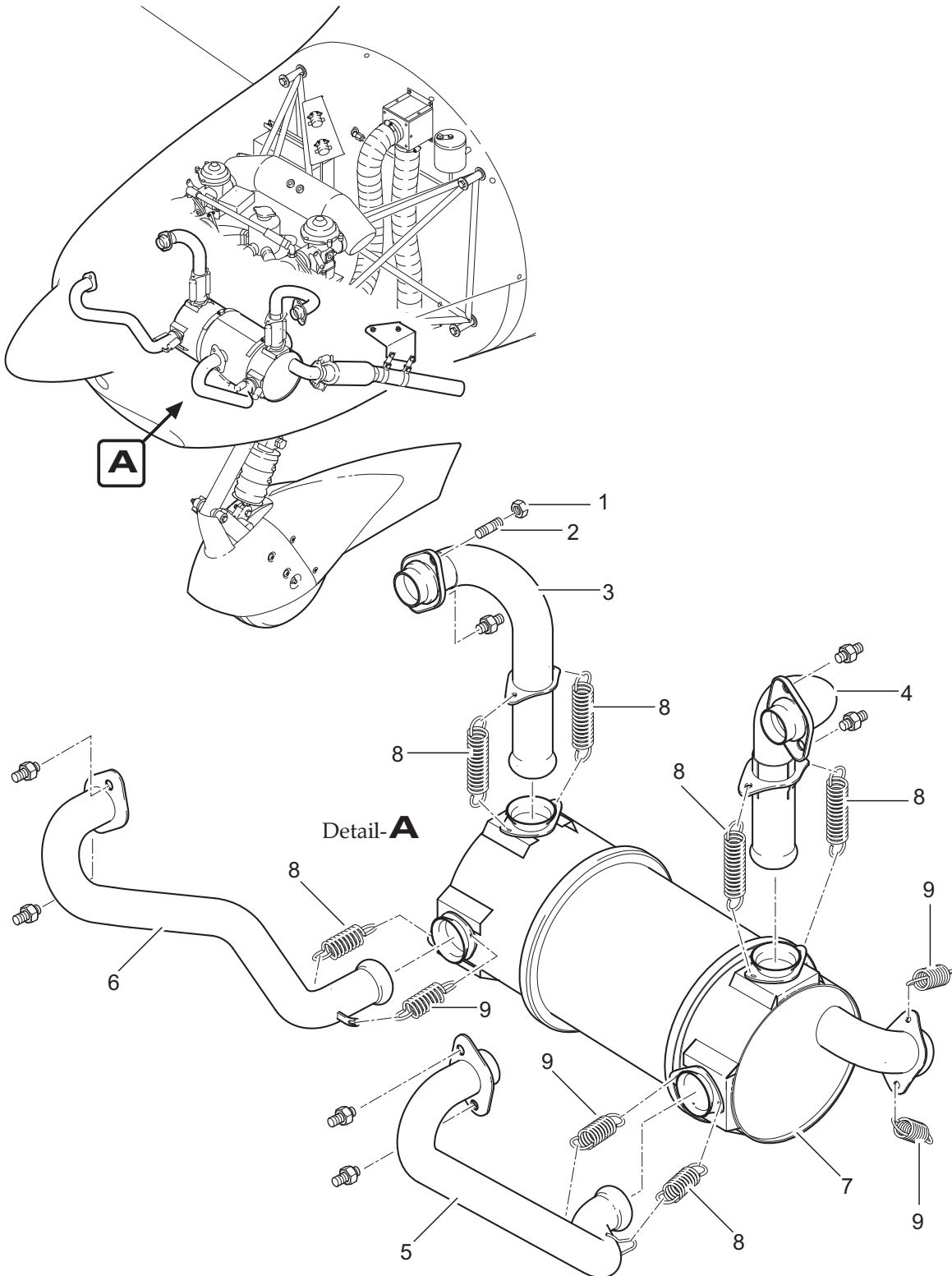
- Item not illustrated

Exhaust - General
Figure 1

78-00-00

Page 3

01.06.09



Exhaust Muffler Installation
Figure 2



Fig. Item	QTY	Part Number	Nomenclature	Effectivity
2	RF		Exhaust Muffler Installation, (Refer to 78-00-00, Fig. 1, Item 1 for NHA)	
1	8	AT01-7070-103	Locknut M8	
2	8	AT01-7080-378	Stud M8x23/20	
3	1	AT01-7070-040	Exhaust Manifold Right Back	
4	1	AT01-7070-007	Exhaust Manifold Left Back	
5	1	AT01-7070-008	Exhaust Manifold Left Front	
6	1	AT01-7070-009	Exhaust Manifold Right Front	
7	1	AT01-7070-100	Exhaust Muffler	
8	6	AT01-7070-102	Spring Long	
9	4	AT01-7070-101	Spring Short	

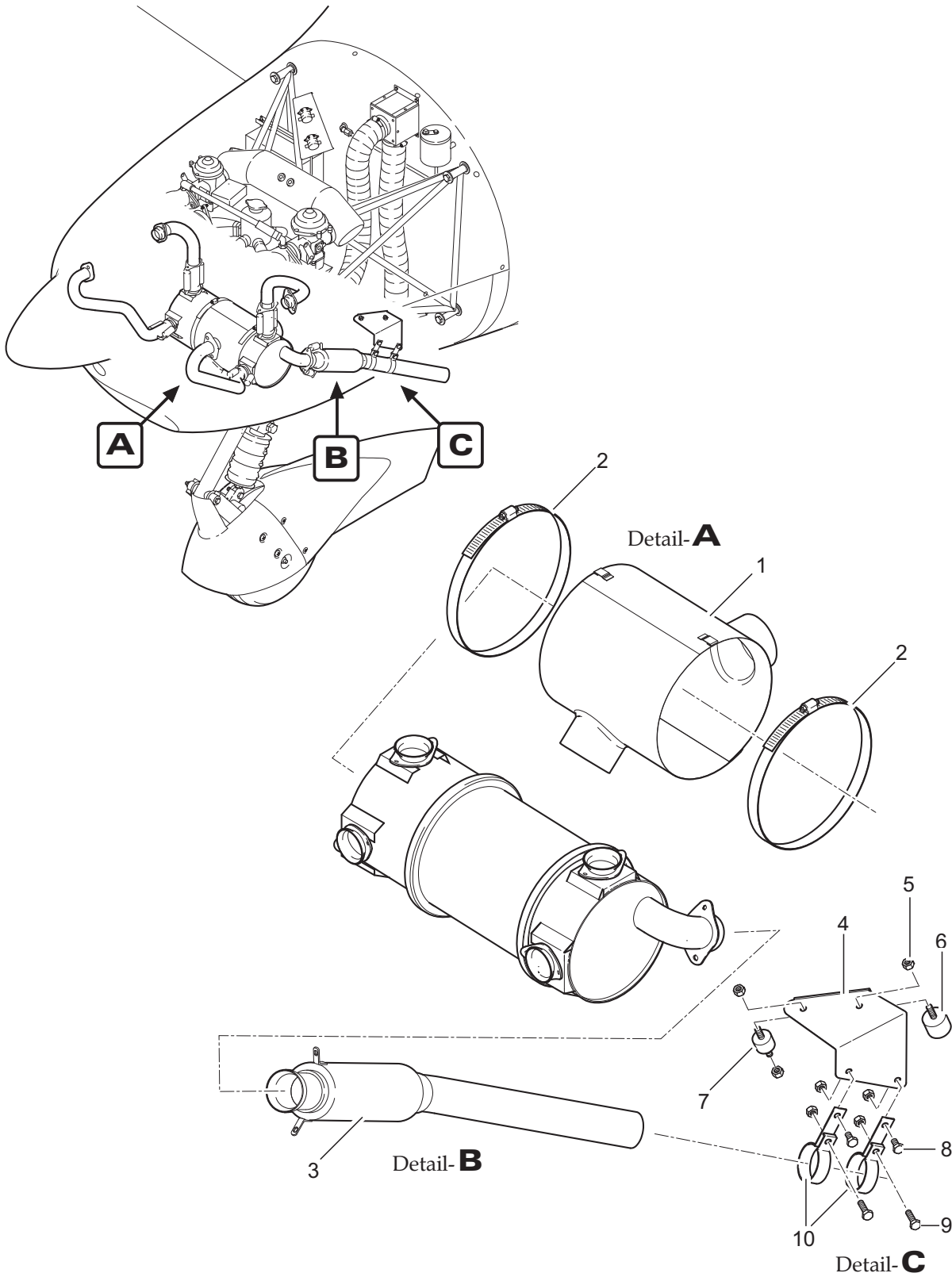
- Item not illustrated

Exhaust Muffler Installation
Figure 2

78-00-00

Page 5

01.06.09



Heat Exchanger / Second Muffler Installation
Figure 3



Fig. Item	QTY	Part Number	Nomenclature	Effectivity
3	RF		Heat Exchanger / Second Muffler Installation, (Refer to 78-00-00, Fig. 1, Item 1 for NHA)	
1	1	AT01-7000-105	Heater Jacket	
2	2	AT01-4520-498	Clamp D150 - 170	
3	1	AT01-7070-003	Second Exhaust Muffler	
4	1	AT01-7070-105	Bracket Second Exhaust Muffler	
5	7	1800980_M6	Locknut DIN 980	
6	1	AT01-7070-151	Rubber Cushion Style D	
7	1	AT01-7070-150	Rubber Cushion Style A	
8	2	1800933_M6x12	Screw	
9	2	1800933_M6x20	Screw	
10	2	AT01-7070-006	Clamp	

- Item not illustrated

Heat Exchanger / Second Muffler Installation
Figure 3

78-00-00

Page 7

15.04.06



AQUILA AT01
ILLUSTRATED PARTS CATALOG

CHAPTER 79

OIL

TABLE OF CONTENTS

<u>Title</u> <u>Subject</u>	<u>Chapter</u> <u>Section</u> <u>Subject</u>	<u>Page</u>	<u>Effectivity</u>
OIL - GENERAL	79-00-00	1	
Oil - General	79-00-00	2	
Oil System	79-00-00	4A	
Oil System	79-00-00	4B	SB-AT01-29
Oil Tank Assembly	79-00-00	6	
Oil Filter / Oil Indicating System	79-00-00	8	

OIL
GENERAL

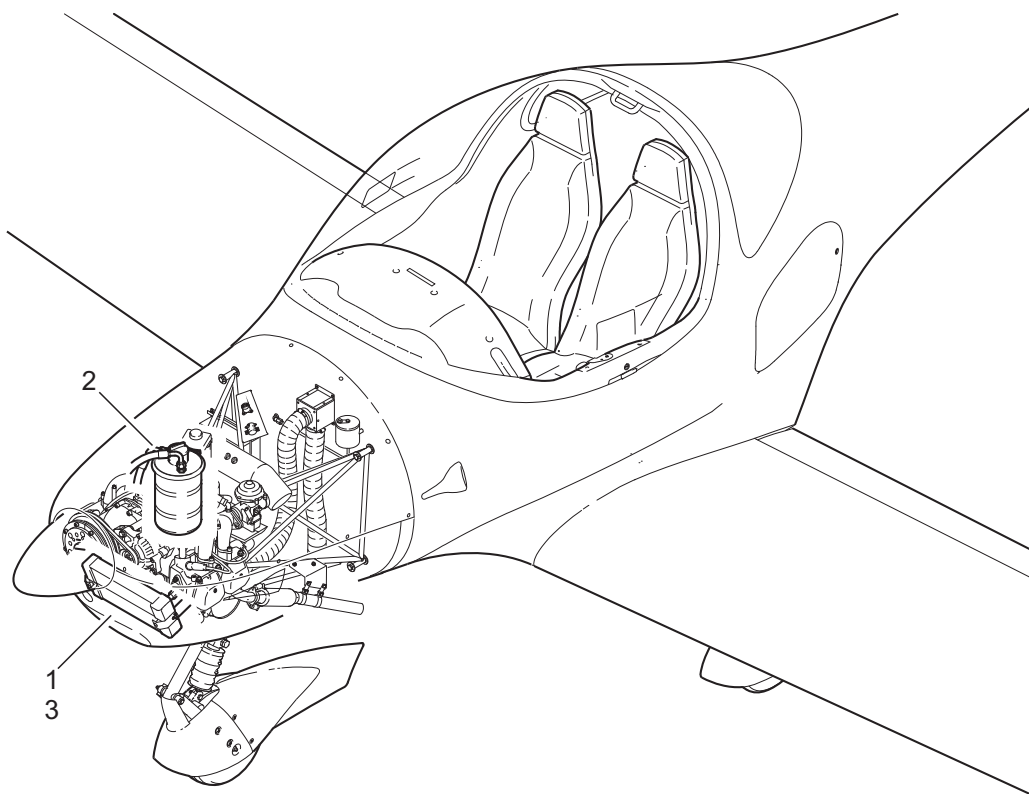


Fig. Item	QTY	Part Number	Nomenclature	Effectivity
1			Oil - General	
	1		Oil System (refer to 79-00-00, figure 2A for details)	SB-AT01-029
	1		Oil System (refer to 79-00-00, figure 2B for details)	
	2		Oil Tank Assembly (refer to 79-00-00, figure 3 for details)	
	3		Oil Filter / Oil Indicating System (refer to 79-00-00, figure 4 for details)	

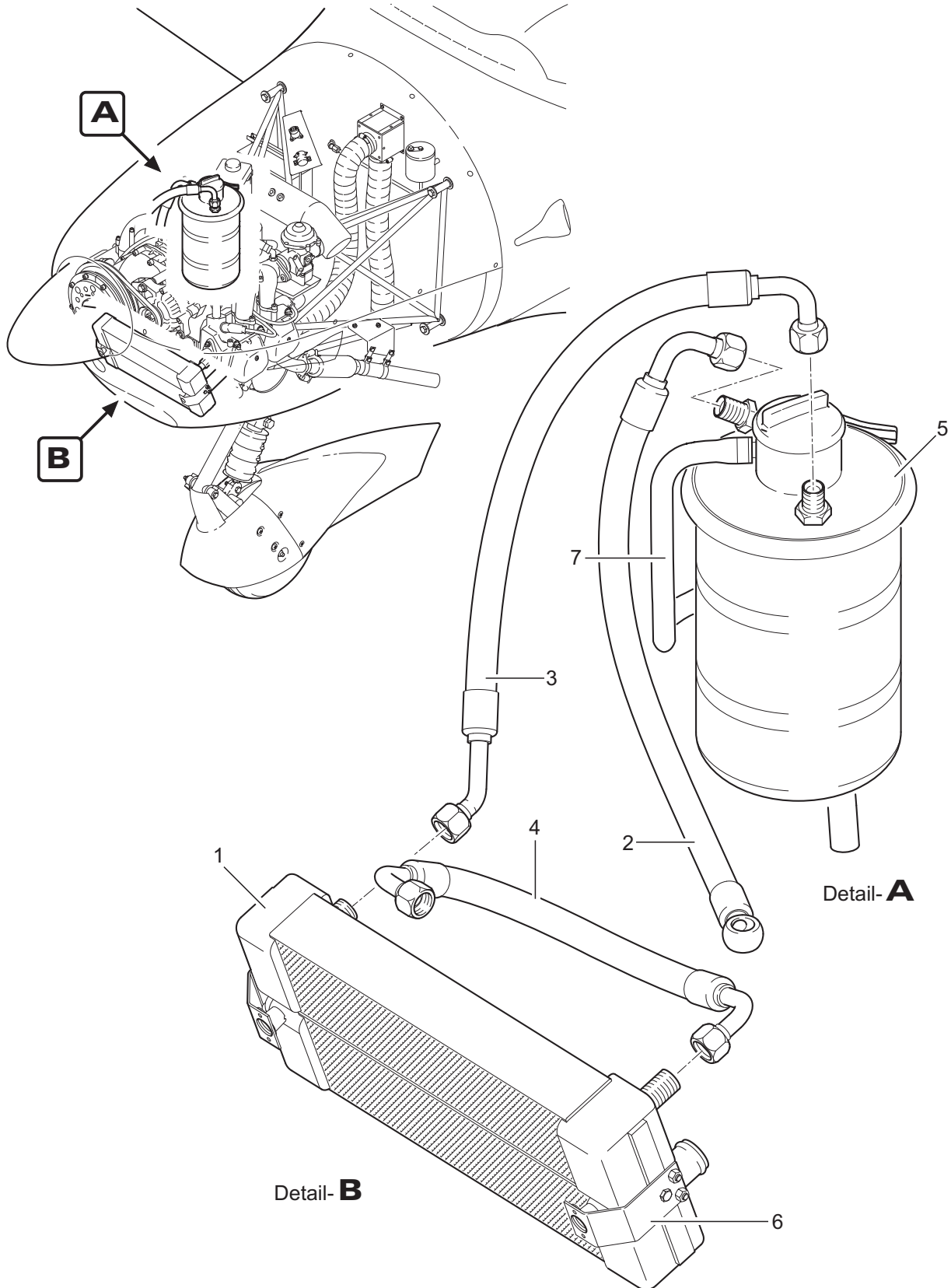
- Item not illustrated

Oil - General
Figure 1

79-00-00

Page 3

29.04.16



Oil System
Figure 2A

Fig. Item	QTY	Part Number	Nomenclature	Effectivity
2A			Oil System	
1	1	AT01-7050-300	oil and water cooler	
2	1	AT01-7000-018	oil hose engine / oil tank	
3	1	AT01-7000-021	oil hose oil tank / oil cooler	
4	1	AT01-7000-022	oil hose oil cooler / engine	
5	1	AT01-7000-040	oil tank assembly (new version, Rotax P/N: 656865)	
	1	AT01-7000-039	oil tank assembly (old version, Rotax P/N: 956503)	
6	2	AT01-7050-102	cooler bracket	
7	1	AT01-4520-427	venting hose oil tank (750mm)	

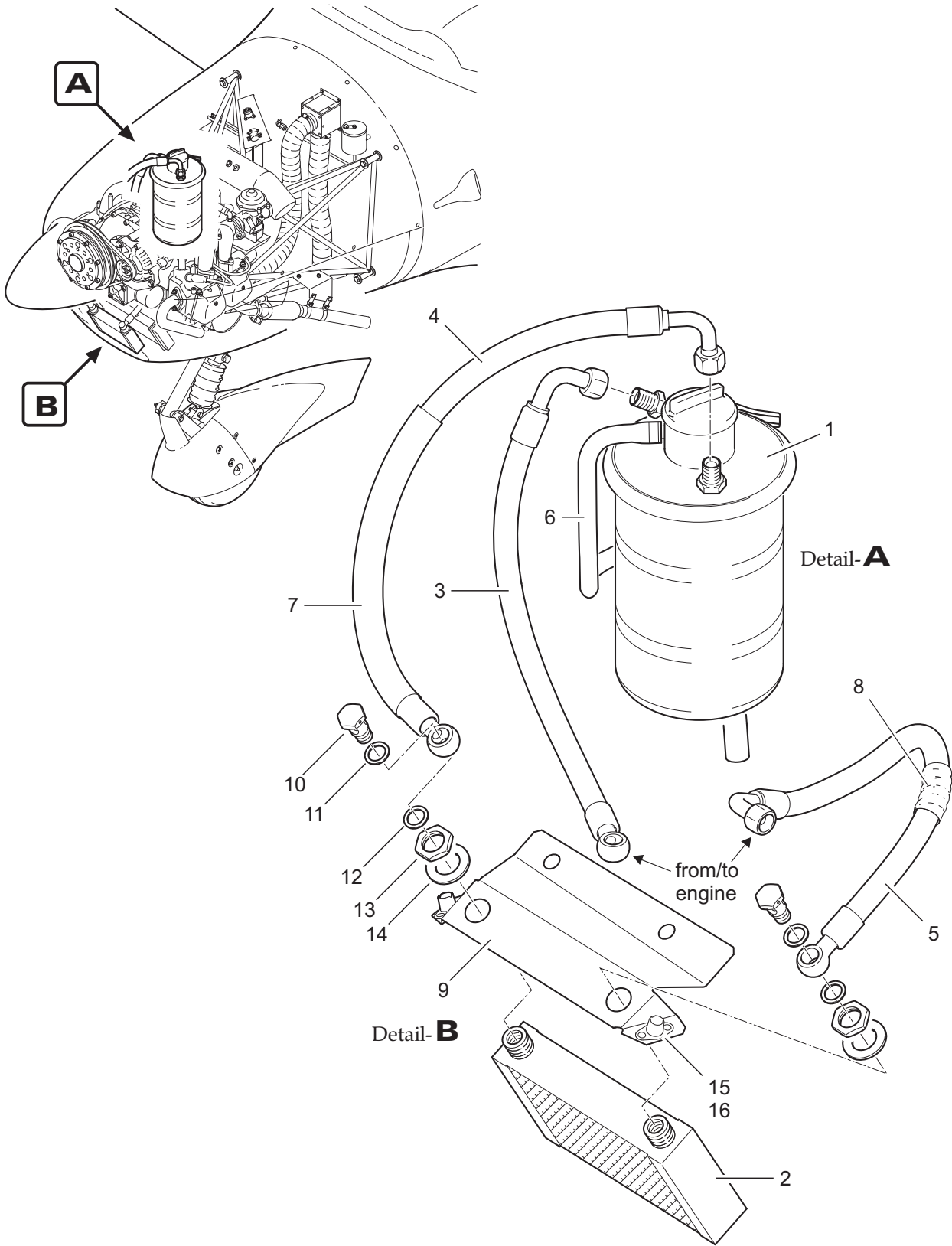
- Item not illustrated

Oil System
Figure 2A

79-00-00

Page 5A

29.04.16



EFFECTIVITY

Cooling system retrofit
 SB-AT01-029

Oil System
 Figure 2B

79-00-00

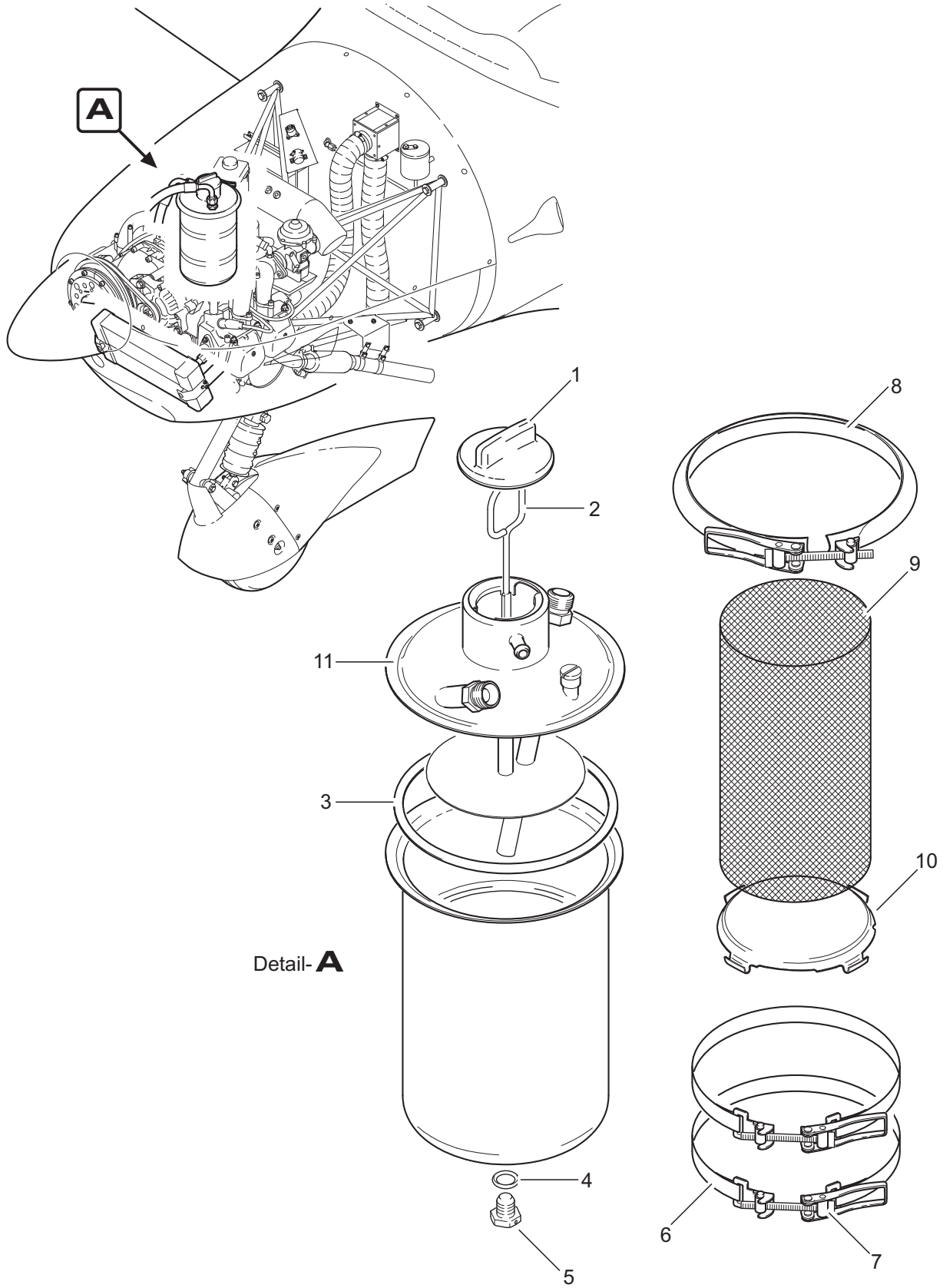
Page 4B

29.04.16

Fig. Item	QTY	Part Number	Nomenclature	Effectivity
2B			Oil System	SB-AT01-029
1	1	AT01-7000-040	oil tank assembly (new version, Rotax P/N: 656865)	
	1	AT01-7000-039	oil tank assembly (old version, Rotax P/N: 956503)	
2	1	AT01-7050-304	oil cooler	(1)
	1	AT01-7050-307	oil cooler (new version)	(1)
3	1	AT01-7000-018	oil hose engine / oil tank	
4	1	AT01-7000-028	oil hose oil tank / oil cooler	
5	1	AT01-7000-027	oil hose oil cooler / engine	
6	1	AT01-4520-427	venting hose oil tank (750mm)	
7	1	AT01-7070-110	heat protection hose (300mm)	
8	1	AT01-4530-280	spiral hose (for 200mm oil hose)	
9	1	AT01-7050-125	cooler mounting bracket	(1)
	1	AT01-7050-149	cooler mounting bracket (new oil cooler)	(1)
10	2	AT01-7050-126	banjo bolt	
11	2	1807603A_16x22	copper sealing (DIN 7603 A 16x22)	
12	2	1807603A_14x22	copper sealing (DIN 7603 A 14x22)	
13	2	AT01-7050-128	nut	
14	2	1800125_23	washer (DIN 125 23x39)	
15	2	AT01-1840-582	Benloc receptacle	
16	4	1807337_3,2x6 ES/ES	rivet (DIN 7337 3,2x6)	
-17	2	AT01-7050-144	spacer sleeve (new oil cooler)	(1)

Notes

- (1) Oil cooler AT01-7050-304 is no longer available and replaced by AT01-7050-307.
 New oil cooler requires a modified mounting bracket and additional spacer sleeves.
 Refer to SI-AT01-018 (annex 18) and Rotax SI-912-024 for further information.



Detail-**A**

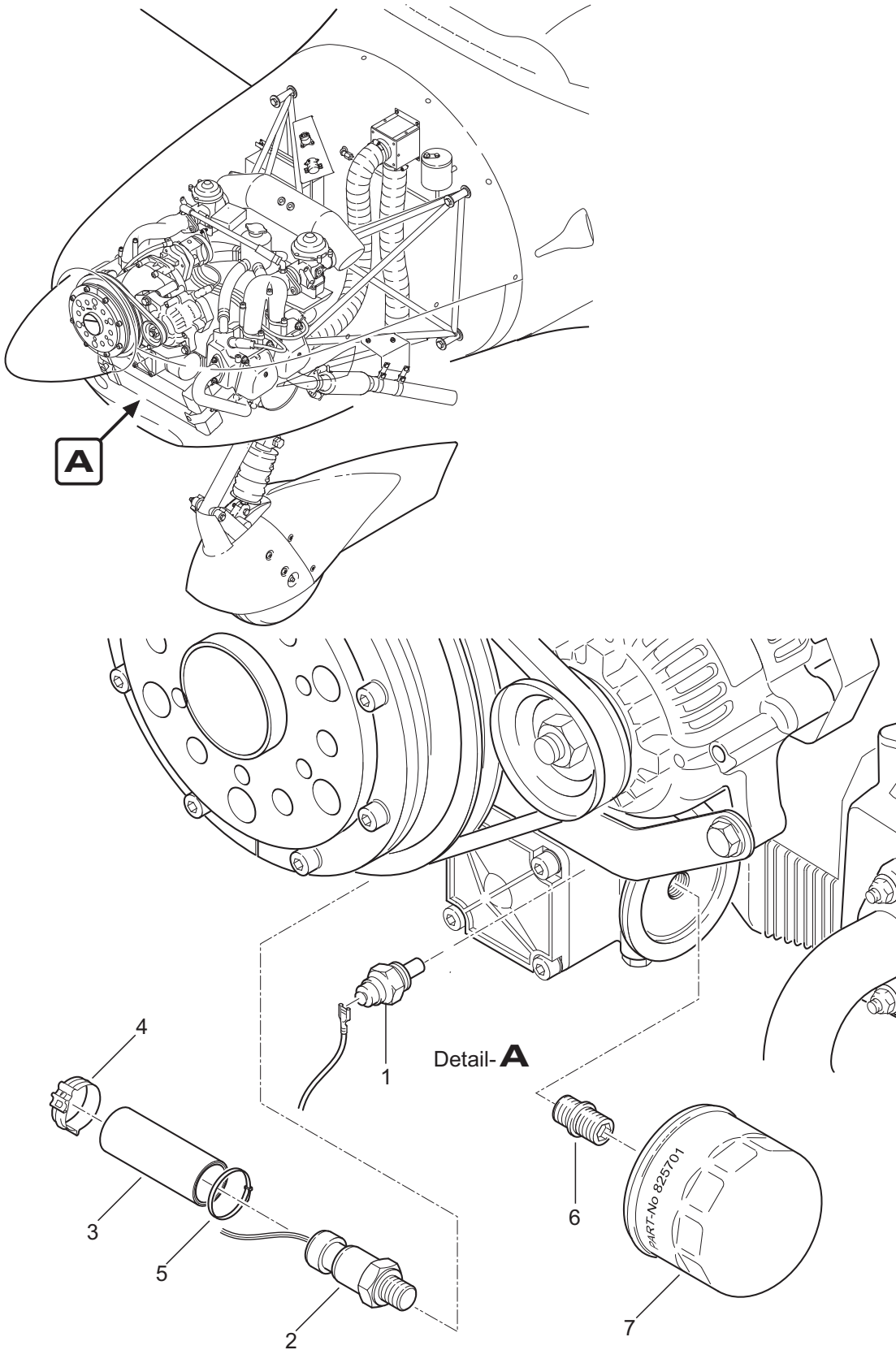
Oil Tank Assembly
Figure 3

79-00-00

Fig. Item	QTY	Part Number	Nomenclature	Effectivity
3			Oil Tank Assembly	
1	1	Ro 974647	oil tank cover	
2	1	Ro 956151	oil dipstick	
3	1	AT01-7080-217	O-ring	
4	1	AT01-7080-216	copper sealing	
5	1	Ro 241403	bolt	
6	2	AT01-1840-700	Normafix steel tape (16mm)	
7	2	AT01-1840-710	Normafix closure	
8	1	Ro 951817	profile clamp	
9	1	Ro 956204	baffle insert	
10	1	Ro 956197	partition 2	
11	1	AT01-7000-141	oil tank cover (new version, oil tank AT01-7000-040 only)	(1)
	1	AT01-7000-142	oil tank cover (old version, oil tank AT01-7000-039 only)	(1)

Notes

(1) Only repaired covers available in exchange for a damaged cover.



Oil Filter / Oil Indicating System
Figure 4

Fig. Item	QTY	Part Number	Nomenclature	Effectivity
4			Oil Filter / Oil Indicating System	
	1	AT01-7050-150	oil temperature sensor	
	-2	AT01-7080-200	oil pressure sensor (Ro 956357 / no longer available / replaced by AT01-2840-168)	101-223
	-2	AT01-2840-168	oil pressure sensor (Ro 956413Z / no longer available / replaced by AT01-7080-201 / refer to SI-AT01-016)	224-253
	2	AT01-7080-201	oil pressure sensor (Ro 456180Z)	
	3	AT01-4520-309	fire sleeve (60mm / only if AT01-7080-201 is installed)	
	4	AT01-4520-463	Cobra hose clamp (only if AT01-7080-201 is installed)	
	5	AT01-4530-941	cable tie (heat resistant / 100x2,5mm / only if AT01-7080-201 is installed)	
	6	Ro 924420	oil filter nipple (up to S/N 4.923.162)	
		Ro 924421	oil filter nipple (from S/N 4.923.163)	
	7	AT01-7080-011	oil filter (Ro 825701)	

- Item not illustrated

Oil Filter / Oil Indicating System
Figure 4

79-00-00

Page 9

29.04.16



Aviation by Excellence GmbH

AQUILA AT01
ILLUSTRATED PARTS CATALOG

CHAPTER 96

ACCESSORY



Aviation by Excellence GmbH

AQUILA AT01

ILLUSTRATED PARTS CATALOG

TABLE OF CONTENTS

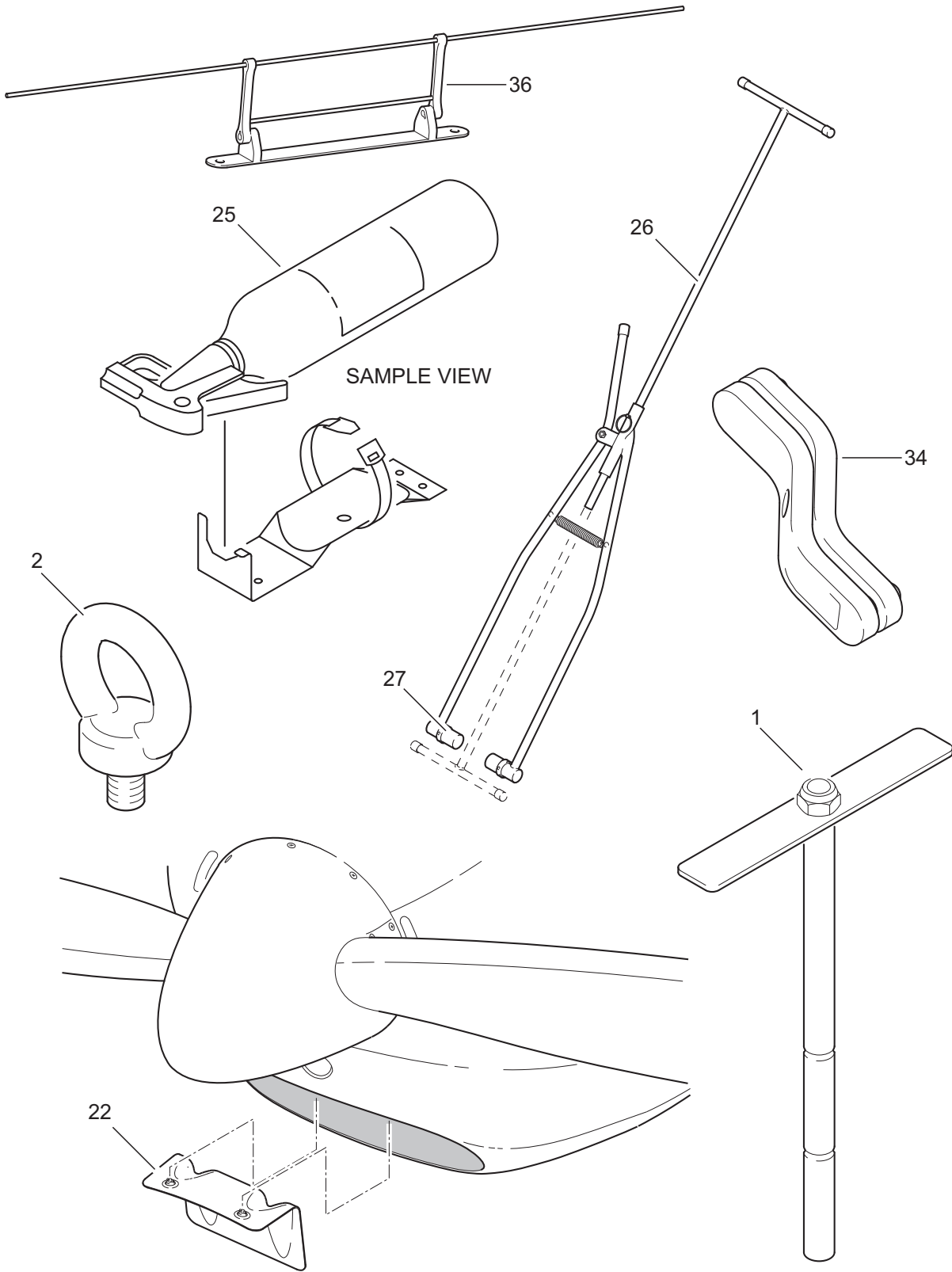
<u>Title</u> <u>Subject</u>	<u>Chapter</u> <u>Section</u> <u>Subject</u>	<u>Figure</u>	<u>Page</u>	<u>Effectivity</u>
ACCESSORY GENERAL	96-00-00		1	
Aquila Accessory and Parts - General	96-00-00	1	2	
SPECIAL TOOLS	96-10-00		1	
Special Tools for Maintenance/Repair	96-10-00	1	1	



Aviation by Excellence GmbH

AQUILA AT01
ILLUSTRATED PARTS CATALOG

ACCESSORY
GENERAL



NOTE: ACCESSORIES NOT IN SCALE!

Aquila Accessory and Parts - General
Figure 1



Fig. Item	QTY	Part Number	Nomenclature	Effectivity
1	RF		Aquila Accessory and Parts	
1		AT01-8030-005	Fuel Dipstick	
2		1800580_M8	Lash Eye Bolt	R
-3		AT01-2110-109	Set Jack Point Adapter	
-4		AT01-9910-105	Canopy Cover (Jaxida)	
-5		AT01-9910-106	Full Cover (Jaxida)	
-6		AT01-2350-100	Canopy Care Set	
-7		1070399	Ardrox Care Polish	R
-8		AT01-2320-002	Sun Protection Film	
-9		AT01-9910-211	Flight Manual (English)	
-10		AT01-9910-212	Flight Manual (German)	
-11		AT01-9910-213	Flight Manual (French)	
-13		AT01-9910-500	Maintenance Manual	
-14		AT01-9910-230	Illustrated Parts Catalogue	
-15		AT01-9910-240	Rotax Operations Manual	
-16		AT01-9910-241	Rotax Info CD	
-17		AT01-2820-160/110	Placard Set (deut.) Innen/ Außen	R
-18a		AT01-2820-161/120	Placard Set (engl.) Innen/ Außen	R
-18b		AT01-2820-152/153	Placard Set (engl., USA) Innen/ Außen	R
-19		AT01-2820-162/121	Placard Set (franz.) Innen/ Außen	R
-20		AT01-9910-207	Winglet Cover	
-21		AT01-9910-201	Pitot Tube Cover	
22		AT01-7050-003	Winter Cooling Plate	
-23		AT01-7040-101	K&N Air Filter	
-24		AT01-1110-525	Evans NPG Plus Cooling Fluid	
25a		AT01-9020-100	Fire Extinguisher AIRTOTAL	
25b		AT01-9020-104	Fire Extinguisher H3R	
26		AT01-7800-201	Ercoupe Towbar	
27	2	AT01-5100-100	Busching, Towbar	
-28	4	1807337_3,2x8 ES/ES	Rivet	
-29		AT01-7080-024	Spark Plug	
-30		AT01-7080-011	Oil Filter	
-31		AT01-7080-216	Gasket (Oil Tank)	
-32		AT01-1110-550	Engine Oil	
-33		AT01-1110-550	Brake Fluide AERO Shell	
34		AT01-7020-012	Anti-Theft Device	R
-35		AT01-0790-001	ABUS Lock	R
36		AT01-2820-016	Target	R

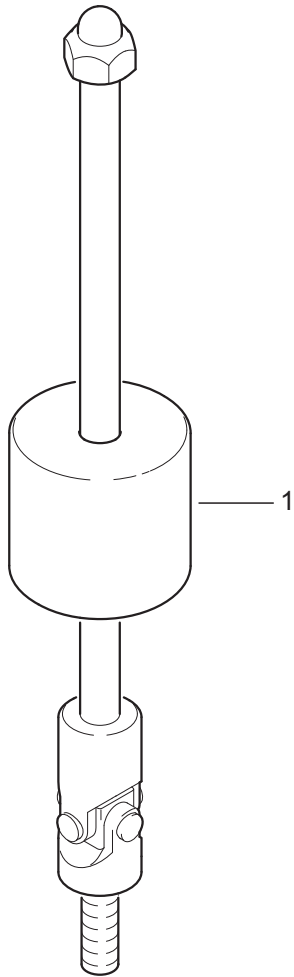
- Item not illustrated



Aviation by Excellence GmbH

AQUILA AT01
ILLUSTRATED PARTS CATALOG

SPECIAL TOOLS





Aviation by Excellence GmbH

AQUILA AT01

ILLUSTRATED PARTS CATALOG

Fig. Item	QTY	Part Number	Nomenclature	Effectivity
1	RF		Special Tools for Maintenance/Repair	
	1	AT01-9620-010	Wingbolt Removal Tool	

- Item not illustrated

Special Tools for Maintenance/Repair
Figure 1

96-10-00

Page 3

15.02.13

