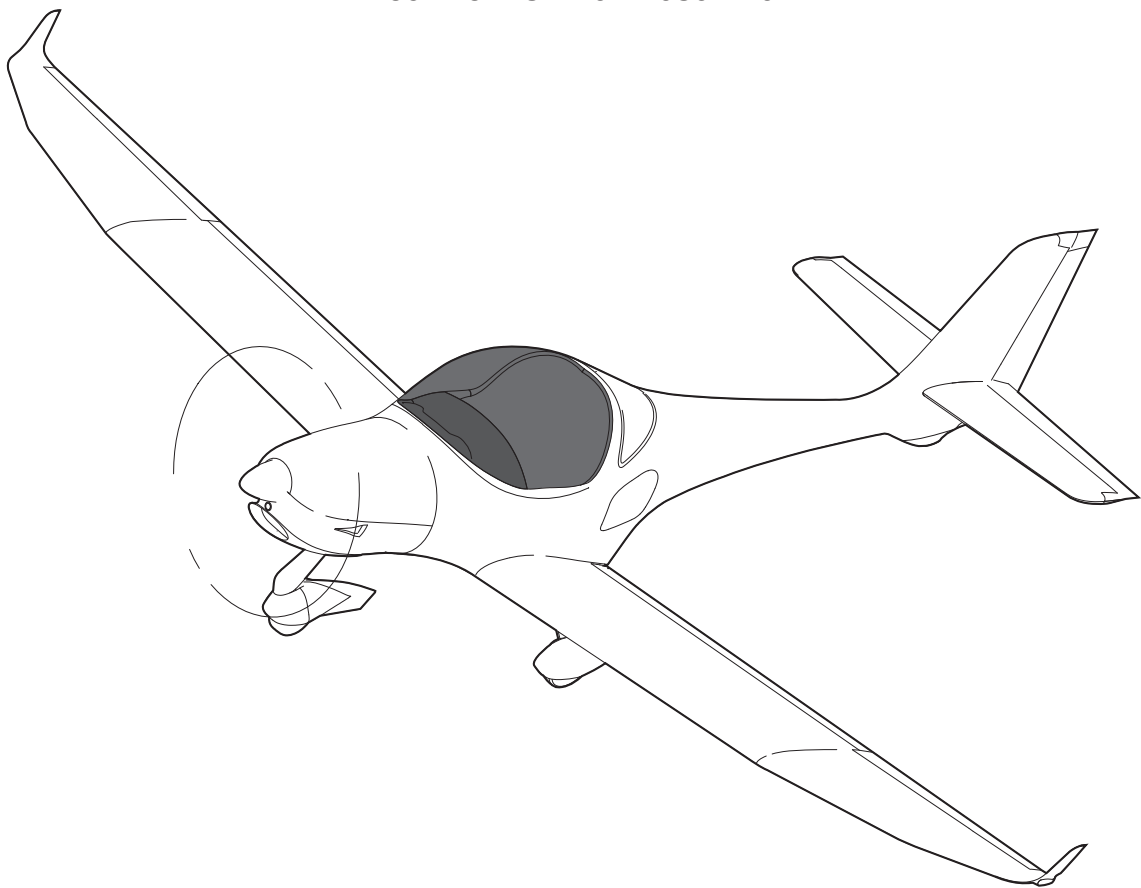


ILLUSTRATED PARTS CATALOG

AQUILA AT01-100 (A211) AQUILA AT01-200 (A212)

Doc.-No. PC-AT01-1030-110



This document is protected by copyright. All associated rights, in particular those of translation, reprinting, reproduction by photo mechanical or similar means and storing in data processing facilities in whole or part are reserved. The technical content of this document is approved under the authority of the DOA ref. EASA.21J.025.

AQUILA Aviation International GmbH
Flugplatz
14959 Schönhagen

Phone: ++49 33 731 707 - 0
Fax: ++49 33 731 707 - 11
e-mail: kontakt@aquila-aviation.de

TABLE OF CONTENTS

<u>Cha/Sec/Sub</u>	<u>Title</u>
	TABLE OF CONTENTS
	RECORD OF REVISIONS
	RECORD OF TEMPORARY REVISIONS
	INTRODUCTION
	LIST OF EFFECTIVE CHAPTERS
11	PLACARDS AND MARKINGS
11-00-00	Placards and Markings - General
11-20-00	Exterior Placards & Markings
11-30-00	Interior Placards & Markings
21	VENTILATION & HEATING
21-00-00	Ventilation & Heating - General
24	ELECTRICAL POWER
24-00-00	Electrical Power - General
24-20-00	Alternator System
24-30-00	Battery System
24-60-00	Electrical Load Distribution
25	EQUIPMENT & FURNISHINGS
25-00-00	Equipment & Furnishings - General
25-10-00	Seats
27	FLIGHT CONTROLS
27-10-00	Aileron and Tab
27-20-00	Rudder and Tab
27-30-00	Elevator and Tab
27-31-00	Elevator Trim System
27-50-00	Flaps
28	FUEL
28-00-00	Fuel - General
31	INDICATING/RECORDING SYSTEMS
31-00 00	Indicating/Recording Systems - General
32	LANDING GEAR
32-10-00	Main Gear
32-20-00	Nose Gear
32-40-00	Wheels & Brakes
33	LIGHTS
33-00-00	Lights - General
33-10-00	Interior Lights
33-40-00	Exterior Lights

TABLE OF CONTENTS

<u>Cha/Sec/Sub</u>	<u>Title</u>
55	STABILIZERS
55-00-00	Stabilizers - General
55-20-00	Elevator
55-40-00	Rudder
56	WINDOWS
56-10-00	Canopy
57	WINGS
57-00-00	Wings - General
57-50-00	Flight Surfaces
71	POWERPLANT
71-00-00	Powerplant - General
71-10-00	Cowling
71-20-00	Engine Mounts
71-50-00	Electrical Harness
75	ENGINE COOLING
75-00-00	Engine Cooling - General
76	ENGINE CONTROLS
76-00-00	Engine Controls - General
77	ENGINE INDICATING
77-00-00	Engine Indicating - General
78	EXHAUST
78-00-00	Exhaust - General
79	OIL
79-00-00	Oil - General
96	ACCESSORY
96-00-00	Accessory - General
96-10-00	Special Tools

INTRODUCTION

1. General

- A. This Illustrated Parts Catalog (IPC) is intended for use in the identification and requisition of replaceable aircraft parts and units of the AQUILA AT01-100/200.

WARNING: DO NOT USE THIS ILLUSTRATED PARTS CATALOG TO DETERMINE REMOVAL AND INSTALLATION PROCEDURES.

For maintenance purposes such as removal and installation procedures of parts and assemblies or repair instructions, refer to the AQUILA AT01-100/200 Maintenance Manual.

2. Structure of the Illustrated Parts Catalog

The IPC structure basically conforms to requirements of Air Transport Association (ATA) Specification Number 100 for Manufacturers Technical Data. The document is divided into chapters which correspond to equivalent chapters in the AQUILA AT01-100/200 Maintenance Manual.

- A. The IPC is divided into two main sections:

(1) General	Table of Contents Record of Revisions Record of Temporary Revisions Introduction List of Effective Chapters
(2) Illustrated parts breakdown	Chapters 11 up to 96

- B. Each chapter has one or more sections (subsystems). Spare parts of each section are presented in one or more figures. The figures within these sections are numbered consecutively.
- C. Each chapter starts with an overview on contained figures in that chapter.
- D. Left-hand pages contain exploded views to illustrate mechanical devices, assemblies and parts.
- E. Right-hand pages contain a detailed parts list that is divided into 5 vertical columns:
- (1) Figure / Item
Contains the number of the applicable illustration (figure number) as well as the reference numbers of the parts listed. When a reference number is preceded by a dash (-), the respective part, subassembly or assembly is not illustrated.
 - (2) "QTY"
Contains the quantity of each listed part required for the next higher assembly.
 - (3) Part Number
This column contains the manufacturer's part number used to identify the item.
 - (4) Nomenclature
Contains the description (nomenclature) of the part, subassembly, assembly or system.

(5) Effectivity

Aircraft effectivity is indicated in the detailed parts list by applicable serial numbers which are only entered if a given part pertains to a particular aircraft only.

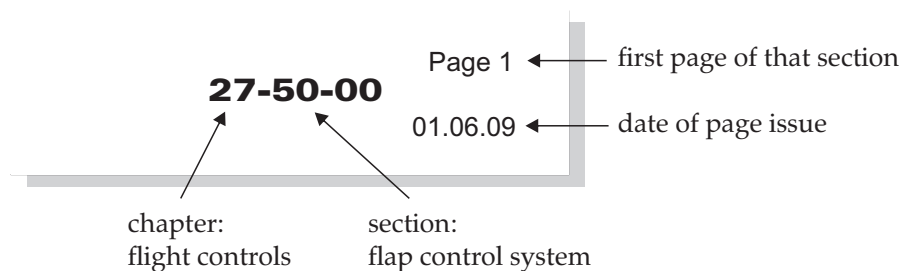
Example:

101 - 113	effective up to serial number 113
123 - 999	effective from serial number 123 and on
113 - 122	effective for aircraft with serial number 113 thru 122

3. Page Identification and Numbering System

- A. The page numbering system consists of three-element numbers separated by dashes with the page number and date printed to the side.

A page number for example:



- (1) When the chapter/system element number is followed with zeros in the section/subsystem and subject/unit element number (28-00-00), the information is applicable to the entire system.
- (2) When the section/subsystem element number is followed with zeros in the subject/unit element number (28-20-00), the information is applicable to subsystem within the system.
- (3) The subject/unit element number is used to identify information applicable to units within the subsystems.

4. Using the Illustrated Parts Catalog

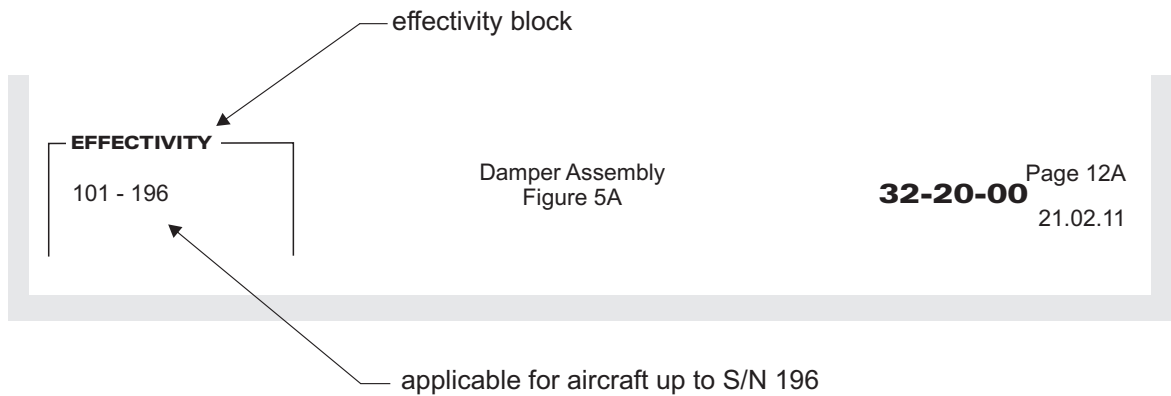
- A. To obtain information on an individual spare part or assembly proceed as follows:
- (1) Refer to the Table of Contents in the front of IPC to find the applicable chapter.
 - (2) Refer to the Table of Contents of that chapter to find section and figure number in which the part should be shown.
 - (3) Refer to the illustration and find the part.
 - (4) Refer to the corresponding item number in the detailed parts list and read the part number.

B. Effectivity

This IPC is “customized”. It includes the following effectivity identification system to show modification and/or configuration differences.

- (1) The IPC starts with a List of Effective Chapters. Each chapter is listed with date of issue or revision.
- (2) To identify the aircraft an effectivity statement (i.e. Garmin Avionics) or a six-digit numeric indicator is shown in the effectivity column in the table of contents if applicable.
 - (a) The six-digit numeric indicator begins with the last three digits of the lowest assigned number, to indicate first effectivity, and ends with the last three digits of the highest assigned number, to indicate last effectivity, of an unbroken sequence of assigned numbers. A hyphen is shown between the numbers. Open ended effectivity is indicated by “999” in the last effectivity if applicable. For example: 123-999 indicates aircraft 123 and subsequent.
- (3) Effectivity Block
 The system provides further direct annotation of applicability of figures. Figures not applicable for all aircraft have an effectivity block at the bottom left-hand corner of the left-hand page. Effectivity identification may be a six-digit numeric indicator (ref. to (2)(a)) or an effectivity statement. The information of that figure applies only to the aircraft noted in the effectivity block.

NOTE: Figures with an effectivity block have an sequential alpha-suffix, for example, a modified version of figure 1 would be figure 1A, a further variant of the same figure would be figure 1B, and so on.



C. Revisions

- (1) Revisions of the IPC, caused by variety of reasons (regulation changes, technical changes, typographical errors, etc.), will be published regularly.
- (2) Identifying revised material
Revisions and/or additions will be identified by a vertical black line (revision bar) in the outer margin of the page opposite the text/illustration that has been changed.
- (3) Should a revision be urgently required between regular updating, a temporary revision will be issued. The relevant pages are yellow and will usually be incorporated in the next scheduled revision of the IPC.
- (4) Incorporating revisions into the manual
 - (a) In order to keep track of revisions and to facilitate the use of the catalog, a revision always affects the entire chapter, i.e. all pages of a chapter have the same date of issue or revision and the complete chapter is replaced during a revision.
 - (b) IPC revisions contain an effectivity page. Chapters to be removed or inserted are listed in sequence and assigned with the respective action.
Incorporation of revisions into the catalog must be documented in the record of revisions at the front of the IPC.
 - (c) Temporary revisions are issued as single pages and must be incorporated according to the notes on the effectivity page delivered with the revision. They become invalid and must be removed when the corresponding permanent revision is issued.

LIST OF EFFECTIVE CHAPTERS

Chapter Title	Date*
GENERAL	
00 Introduction	15.05.20
11 Placards and Markings	15.05.20
AIRFRAME SYSTEMS	
21 Ventilation and Heating	15.05.20
24 Electrical Power	15.05.20
25 Equipment and Furnishings	15.05.20
27 Flight Controls	03.03.14
28 Fuel	31.03.16
31 Indicating/Recording Systems	31.03.16
32 Landing Gear	09.10.18
33 Lights	31.03.16
STRUCTURES	
55 Stabilizers	03.03.14
56 Windows	15.05.20
57 Wings	03.03.14
POWER PLANT	
71 Power Plant	03.03.14
75 Engine Cooling	15.05.20
76 Engine Controls	15.05.20
77 Engine Indicating	15.05.20
78 Exhaust	15.05.20
79 Oil	15.05.20
MISCELLANEOUS	
96 Accessory	15.05.20

* The date refers to the issue / revision date of the respective chapter.

The technical content of this document (revision A.04) is approved under the authority of the
DOA ref. EASA.21J.025.

15.05.2020 
Date, Signature Office of Airworthiness



AQUILA AT01-100/200
ILLUSTRATED PARTS CATALOG

CHAPTER 11
PLACARDS & MARKINGS

TABLE OF CONTENTS

<u>Title</u> <u>Subject</u>	<u>Chapter</u> <u>Section</u> <u>Subject</u>	<u>Page</u>	<u>Effectivity</u>
PLACARDS & MARKINGS - GENERAL	11-00-00	1	
Placards & Markings - General	11-00-00	2	
EXTERIOR PLACARDS & MARKINGS	11-20-00	1	
Exterior Placards & Markings	11-20-00	2	
INTERIOR PLACARDS & MARKINGS	11-30-00	1	
Interior Placards & Markings	11-30-00	2	



AQUILA AT01-100/200
ILLUSTRATED PARTS CATALOG

PLACARDS & MARKINGS
GENERAL

Item not illustrated

Fig. Item	QTY	Part Number	Nomenclature	Effectivity
1			Placards & Markings - General	
	-1		Exterior Placards & Markings (refer to 11-20-00, figure 1 for details)	
	-2		Interior Placards & Markings (refer to 11-30-00, figure 1 for details)	

- Item not illustrated

Placards & Markings - General
Figure 1

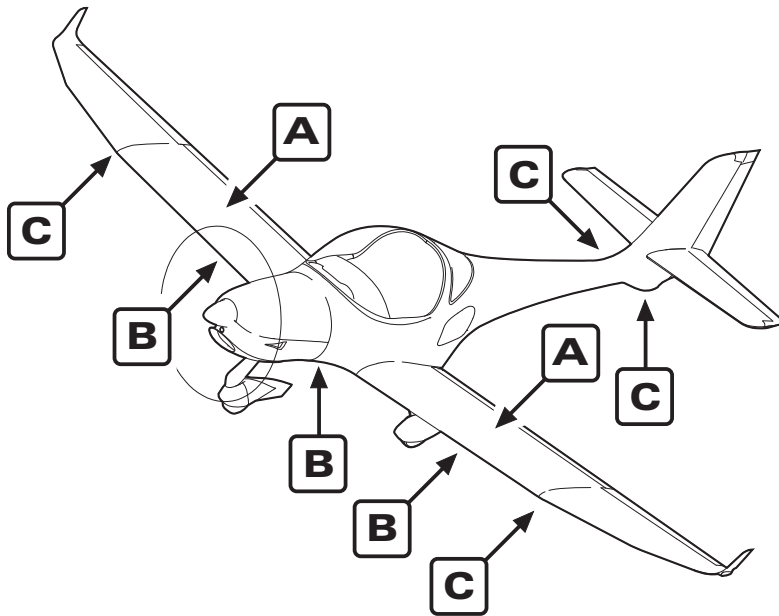
11-00-00

Page 3

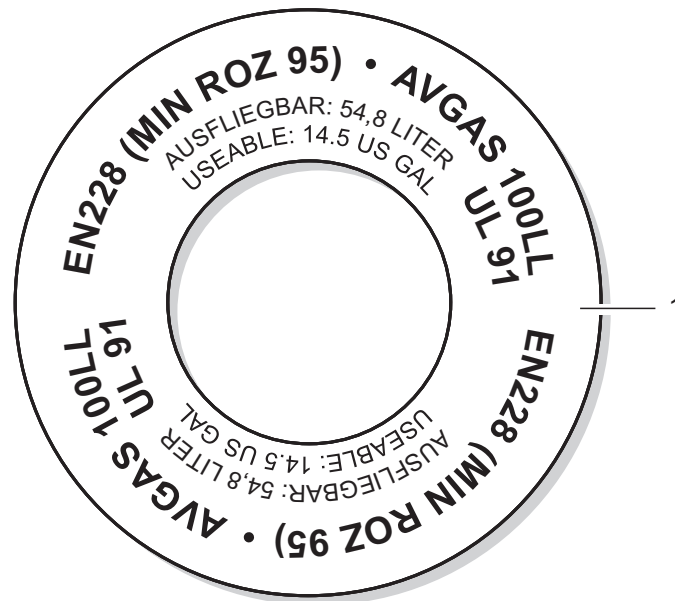
15.05.20

**EXTERIOR
PLACARDS & MARKINGS**

Note: Placards illustrated not in scale.



Detail- **A**



Detail- **B**



Detail- **C**



Exterior Placards & Markings
Figure 1 (1)

Fig. Item	QTY	Part Number	Nomenclature	Effectivity
1 (1)			Exterior Placards & Markings	
1	2	AT01-1120-100	fuel tank cap placard	
2	1	AT01-1120-104	exterior placard set (English)	
3	1	AT01-1120-105	exterior placard set (German)	

- Item not illustrated

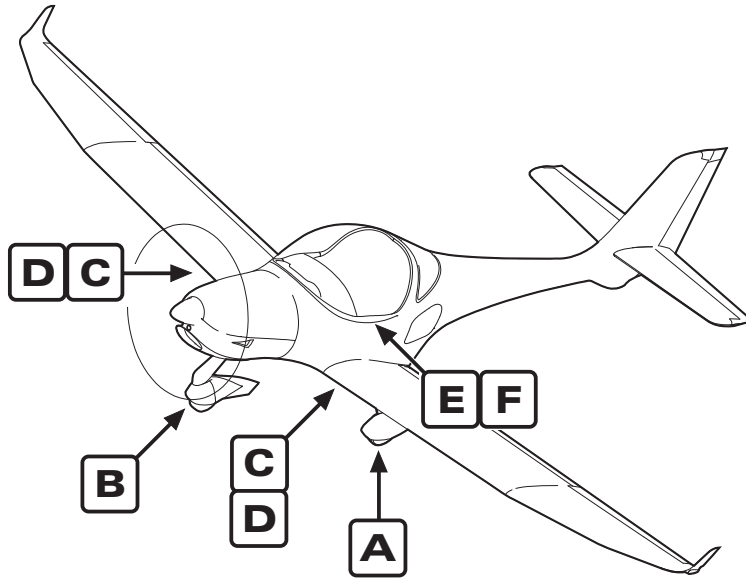
Exterior Placards & Markings
Figure 1 (1)

11-20-00

Page 3

15.05.20

Note: Placards illustrated not in scale.

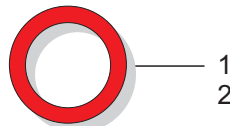


2 — 2,5 bar Detail- **A** 36 psi — 1

2 — 2,5 bar Detail- **B**¹⁾ 36 psi — 1

2 — 2,0 bar Detail- **B**²⁾ 29 psi — 1

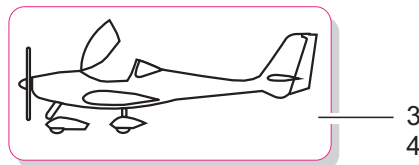
Detail- **C**



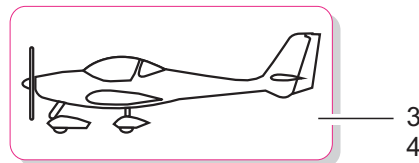
1) Beringer wheels
 2) Cleveland/Grove wheels

2 — Aufbockpunkt Detail- **D** Jack Point — 1

Detail- **E**



Detail- **F**

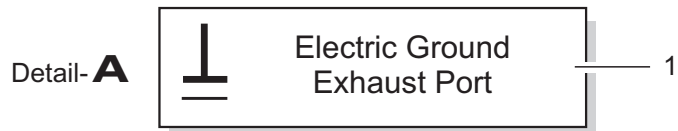
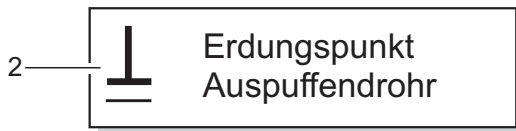
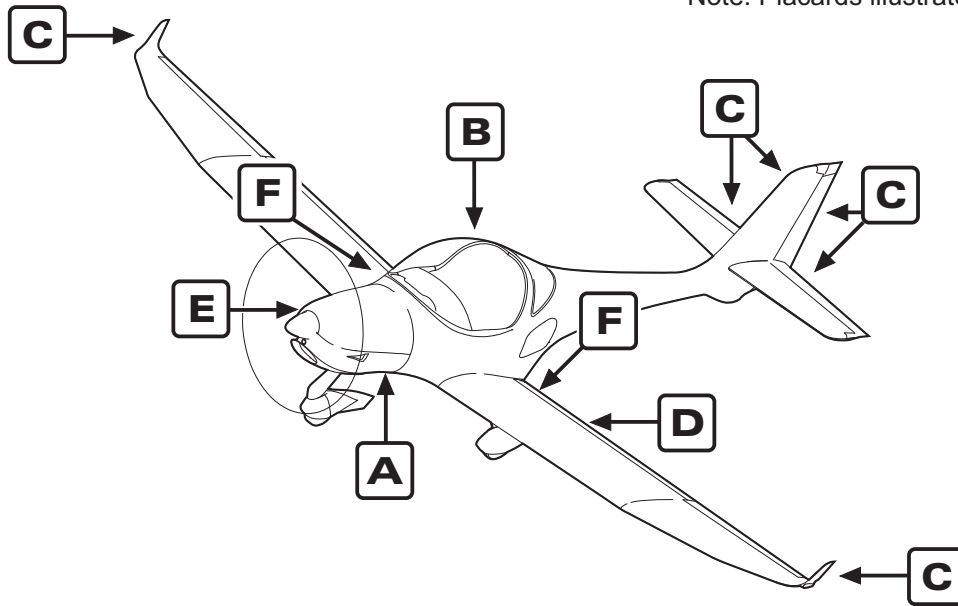


Exterior Placards & Markings
 Figure 1 (2)

Fig. Item	QTY	Part Number	Nomenclature	Effectivity
1 (2)			Exterior Placards & Markings	
1	1	AT01-1120-104	exterior placard set (English)	
2	1	AT01-1120-105	exterior placard set (German)	
3	1	AT01-1130-102	interior placard set (English)	4 CB rows
		AT01-1130-105	interior placard set (English)	5 CB rows
4	1	AT01-1130-103	interior placard set (German)	4 CB rows
		AT01-1130-104	interior placard set (German)	5 CB rows

(CB = circuit breaker)

Note: Placards illustrated not in scale.



Exterior Placards & Markings
Figure 1 (3)

Fig. Item	QTY	Part Number	Nomenclature	Effectivity
1 (3)			Exterior Placards & Markings	
	1	AT01-1120-104	exterior placard set (English)	
	2	AT01-1120-105	exterior placard set (German)	
	3	AT01-1120-103	flap placard	

- Item not illustrated

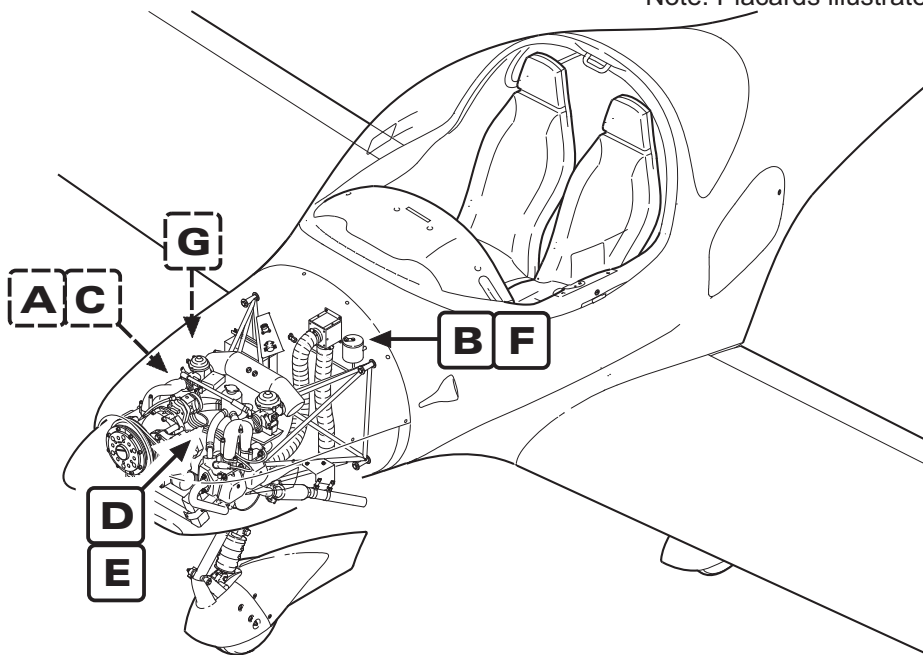
Exterior Placards & Markings
Figure 1 (3)

11-20-00

Page 7

15.05.20

Note: Placards illustrated not in scale.



- | | | |
|---|------------------------|--|
| <p>2 — ! ACHTUNG !
 <u>Kein</u> Flugmotorenöl einfüllen.
 Siehe Flughandbuch</p> | <p>Detail-A</p> | <p>1 — ! CAUTION !
 <u>DO NOT</u> use aviation grade oil
 Refer to POH</p> |
| <p>2 — ! ACHTUNG !
 <u>Keine</u> Automobilbremsflüssigkeit
 verwenden.
 Siehe Flughandbuch</p> | <p>Detail-B</p> | <p>1 — ! CAUTION !
 <u>DO NOT</u> use automotive
 brake fluid
 Refer to POH</p> |
| <p>2 — ÖLFÜLLUNG 3,0 Liter
 SIEHE FLUGHANDBUCH</p> | <p>Detail-C</p> | <p>1 — OIL CAPACITY
 3.17 US quarts, 3,0 Liter
 REFER to POH</p> |
| <p>2 — KÜHLMITTEL-
 AUSGLEICHSGEFÄSS
 BEI HEISSEM TRIEBWERK
 NICHT ÖFFNEN!</p> | <p>Detail-D</p> | <p>1 — COOLANT
 DO NOT OPEN
 IF ENGINE IS HOT!</p> |
| <p>2 — KÜHLWASSERFÜLLUNG 2,3 Liter
 SIEHE FLUGHANDBUCH</p> | <p>Detail-E</p> | <p>1 — COOLANT CAPACITY
 2.43 US quarts, 2,3 Liter
 REFER to POH</p> |
| <p>2 — HYDRAULIKÖL
 FLUID 4</p> | <p>Detail-F</p> | <p>1 — HYD. BRAKE
 FLUID (FLUID 4)</p> |
| <p>2 — KÜHLMITTEL</p> | <p>Detail-G</p> | <p>1 — COOLANT</p> |

Fig. Item	QTY	Part Number	Nomenclature	Effectivity
1 (4)			Exterior Placards & Markings	
	1	AT01-1120-104	exterior placard set (English)	
	2	AT01-1120-105	exterior placard set (German)	

- Item not illustrated

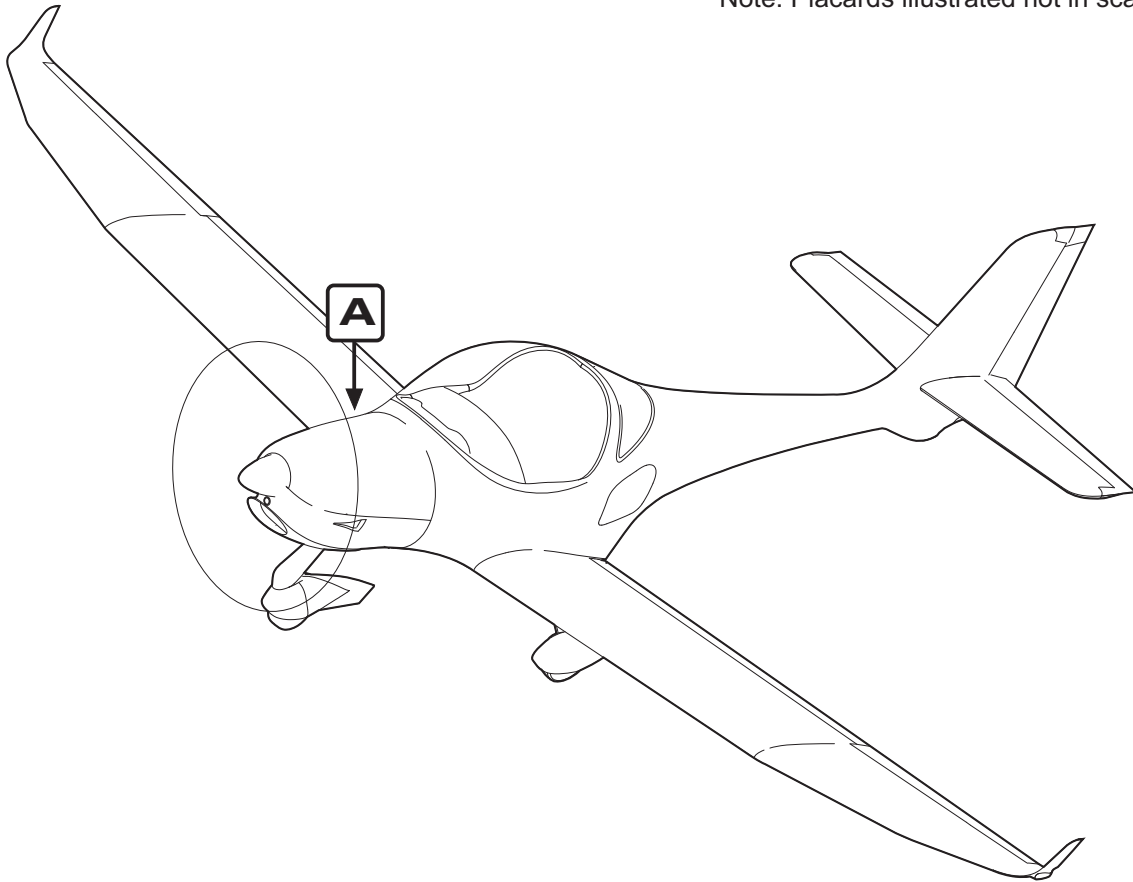
Exterior Placards & Markings
Figure 1 (4)

11-20-00

Page 9

15.05.20

Note: Placards illustrated not in scale.



¹⁾ Aircraft equipped with external power receptacle only.

Fig. Item	QTY	Part Number	Nomenclature	Effectivity
1 (5)			Exterior Placards & Markings	
	1	AT01-1120-104	exterior placard set (English)	
	2	AT01-1120-105	exterior placard set (German)	

- Item not illustrated

Exterior Placards & Markings
Figure 1 (5)

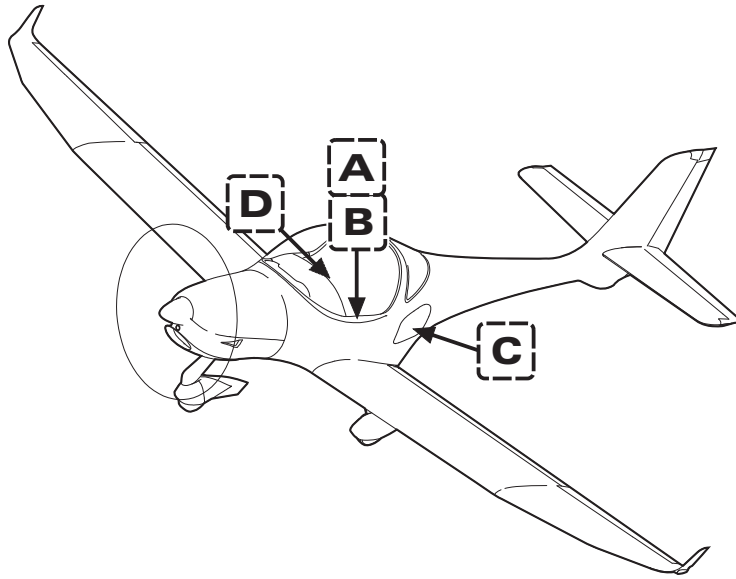
11-20-00

Page 11

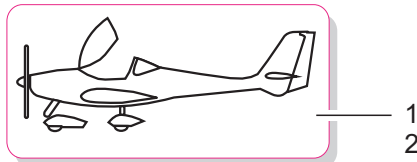
15.05.20

INTERIOR
PLACARDS & MARKINGS

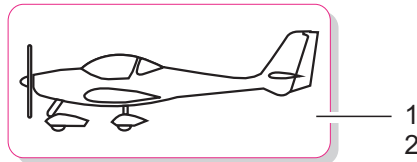
Note: Placards illustrated not in scale.



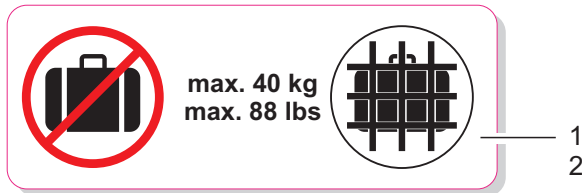
Detail- **A**



Detail- **B**



Detail- **C**

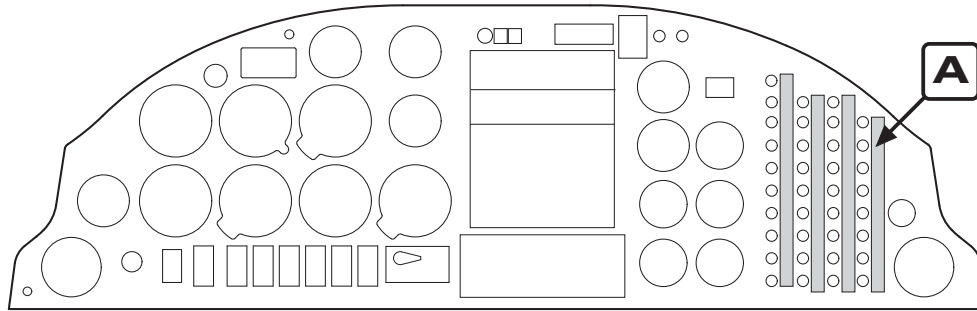


Interior Placards & Markings
 Figure 1 (1)

Fig. Item	QTY	Part Number	Nomenclature	Effectivity
1 (1)			Interior Placards & Markings	
	1	AT01-1130-102	interior placard set (English)	4 CB rows
		AT01-1130-105	interior placard set (English)	5 CB rows
	2	AT01-1130-103	interior placard set (German)	4 CB rows
		AT01-1130-104	interior placard set (German)	5 CB rows

(CB = circuit breaker)

Note: Placards illustrated not in scale.
Placards may vary in existence and location depending on instrumentation.



Schalter Leiste	Kraftstoff Pumpe MAIN	Künstl. Horizont	Audio	AP	Switch Panel	Fuel Pump MAIN	Attitude Indicator	Audio	AP
Schalter Leiste	CHT (OAT)	Wende Zeiger	COM 1	ADF	Switch Panel	CHT (OAT)	Turn Coordin.	COM 1	ADF
HR Trim	Kraftstoff Vorrat	Kurs Kreisel	COM 2	DME	Elevator Trim	Fuel Gauge	Directional Gyro	COM 2	DME
Klappen Strg	Motor Instr. 1	MFD	NAV/GPS 1	WX	Flap Control	Engine Instr. 1	MFD	NAV/GPS 1	WX
Klappen Motor	Motor Instr. 2	PFD	NAV/GPS 2	ADAHRS 1	Flap Actuator	Engine Instr. 2	PFD	NAV/GPS 2	ADAHRS 1
Start Relais	TCU	Kontr. Leuchten	TXP	ADAHRS 2	Starter Relay	TCU	Warning Lights	TXP	ADAHRS 2
ALT 2	ALT 2 Trennung	Flut-Licht	Höhen Kodierer	GAD PWR	ALT 2	ALT 2 Disconnect	Flood Light	Blind Encoder	GAD PWR
ALT 1	ALT 1 Erregung	Überzieh Warnung	Traffic	MOTOR SNSR	ALT 1	ALT 1 Excitation	Stall Warning	Traffic Monitor	ENG SNSR
BAT	12V/USB	G5 ATT	G5 GAD	GPS	BAT	12V/USB	G5 ATT	G5 GAD	GPS

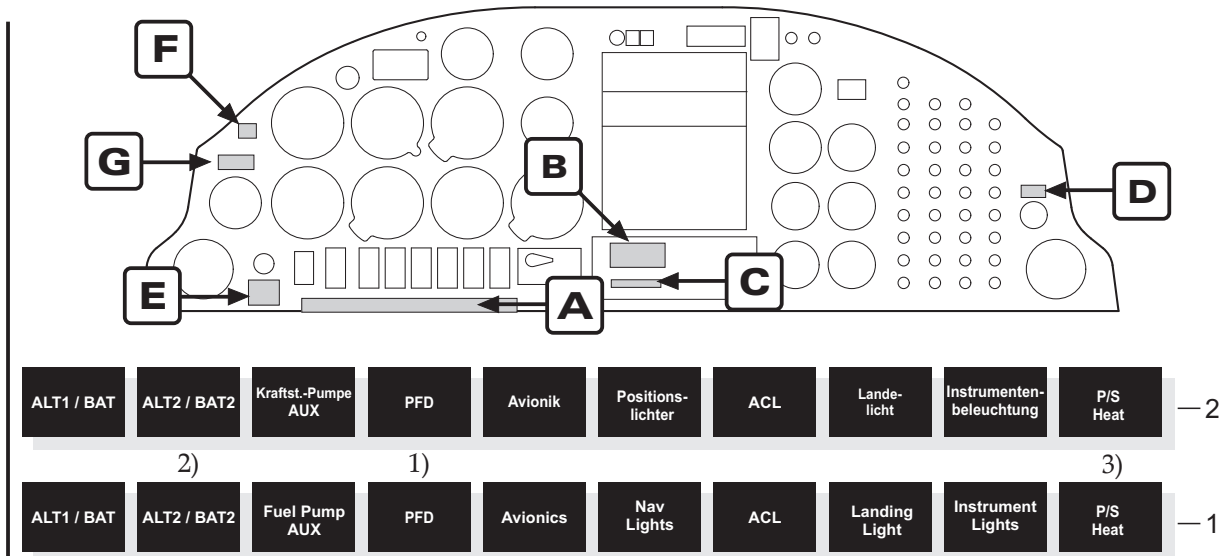
Detail-**A**

Interior Placards & Markings
Figure 1 (2)

Fig. Item	QTY	Part Number	Nomenclature	Effectivity
1 (2)			Interior Placards & Markings	
	1	AT01-1130-102	interior placard set (English)	4 CB rows
		AT01-1130-105	interior placard set (English)	5 CB rows
	2	AT01-1130-103	interior placard set (German)	4 CB rows
		AT01-1130-104	interior placard set (German)	5 CB rows

(CB = circuit breaker)

Note: Placards illustrated not in scale.
Placards may vary in existence and location depending on instrumentation.



Detail-A

2— Dieses Flugzeug ist in der Kategorie VLA zertifiziert und nur für den Betrieb VFR-Tag ohne Vereisungsbedingungen zugelassen. Alle Kunstflugmanöver, einschließlich beabsichtigtem Trudeln, sind verboten. Weitere Betriebsgrenzen stehen im Flughandbuch.

1— This aeroplane is classified as a very light aeroplane approved for day VFR only in non-icing conditions. All aerobatic manoeuvres, including intentional spinning are prohibited. See Flight Manual for other limitations.

Detail-B

2— Dieses Flugzeug ist in der Kategorie VLA zertifiziert und für den Betrieb VFR-Tag und VFR-Nacht ohne Vereisungsbedingungen zugelassen. Alle Kunstflugmanöver, einschließlich beabsichtigtem Trudeln, sind verboten. Weitere Betriebsgrenzen stehen im Flughandbuch.

1— This aeroplane is classified as a very light aeroplane for day VFR and night VFR in non-icing conditions. All aerobatic manoeuvres including intentional spinning are prohibited. See Flight Manual for other limitations.

Detail-B⁵⁾

2— **GPS NUR ZUR INFORMATION**

Detail-C⁴⁾

1— **GPS FOR INFORMATION ONLY**

2— **STECKDOSE
12 - 14 V
max. 5 A**

Detail-D

1— **RECEPTACLE
12 - 14 V DC
MAX: 5 A**

2— **VORSICHT**
Elektrische Hauptkraft-
stoffpumpe
BAT2 AN im Flug
AUS am Boden

Detail-E²⁾

1— **CAUTION**
Electric Main Fuel Pump
BAT2 ON for Flight
OFF for Parking

2) Detail-F **TCU** — 1
2

Detail-G — 1
2

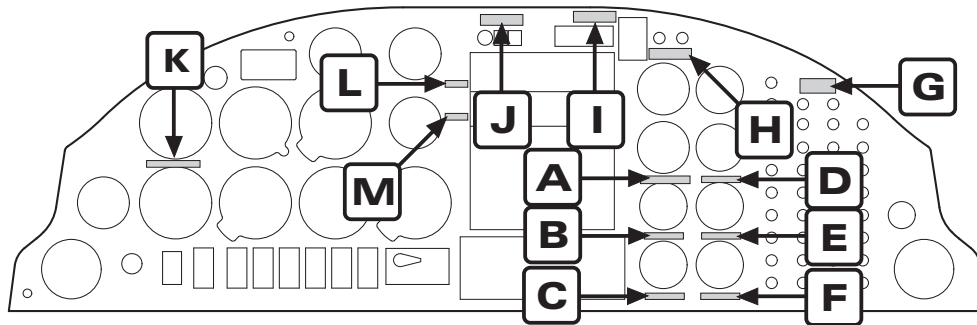
1) Aircraft equipped with Aspen avionics only.
2) AT01-200 only.
3) Aircraft equipped with pitot heating system only.
4) Aircraft equipped with non-(E)TSO'd GPS-receiver only.
5) Aircraft equipped for Night-VFR only.

Interior Placards & Markings
Figure 1 (3)

Fig. Item	QTY	Part Number	Nomenclature	Effectivity
1 (3)			Interior Placards & Markings	
	1	AT01-1130-102	interior placard set (English)	4 CB rows
		AT01-1130-105	interior placard set (English)	5 CB rows
	2	AT01-1130-103	interior placard set (German)	4 CB rows
		AT01-1130-104	interior placard set (German)	5 CB rows

(CB = circuit breaker)

Note: Placards illustrated not in scale.
 Placards may vary in existence and location depending on instrumentation.



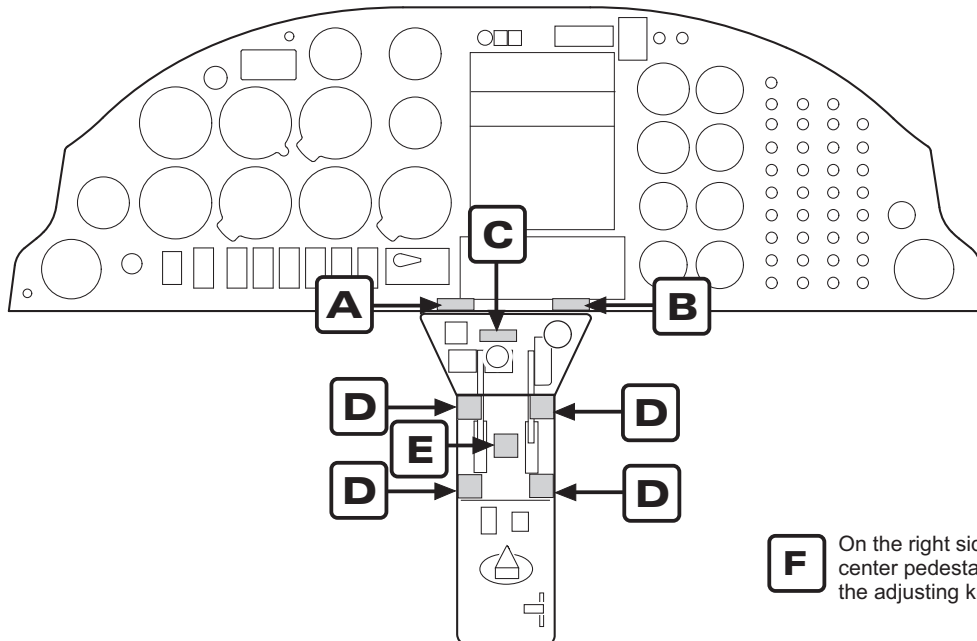
- | | | | | |
|----|--|------------------|--|----|
| 2— | KRAFTSTOFF
109,6 Liter ausfliegbar | Detail- A | FUEL CAPACITY
28.9 GAL / 109.6 LITER USABLE | —1 |
| | Detail- B | VOLTMETER | —1
2 | |
| 2— | AMPEREMETER | Detail- C | AMMETER | —1 |
| 2— | ZYL. KOPF TEMP. | Detail- D | CYL. HEAD TEMP. | —1 |
| 2— | ÖLTEMPERATUR | Detail- E | OIL TEMP. | —1 |
| 2— | ÖLDRUCK | Detail- F | OIL PRESS. | —1 |
| 2— | ELT und Feuerlöscher hinter dem Copilotensitz | Detail- G | ELT and Fire-Extinguisher behind Copilot seat | —1 |
| 2— | 0 ◀ D POSTLIGHTS
I-BRETT-BELEUCHTUNG M INSTRUMENTE | Detail- H | 0 ◀ D POSTLIGHTS
PANEL LIGHT M INSTRUMENTS | —1 |
| 2— | ELT-FERNBEDIENUNG
ELT Hauptschalter auf ARMED stellen! | Detail- I | ELT-REMOTE CONTROL
Switch ELT-transmitter to ARM ! | —1 |
| | KRAFTSTOFF-DRUCK SPANNUNG ALT1 ALT2 P/S HEAT | Detail- J | FUEL VOLT ALT1 ALT2 P/S HEAT | —1 |
| 2— | Manövergeschwindigkeit VA = 112 kts | Detail- K | Maneuvering Speed VA = 112 kts | —1 |
| | Detail- L | COM/NAV 1 | —1
2 | |
| | Detail- M | COM/NAV 2 | —1
2 | |

Interior Placards & Markings
 Figure 1 (4)

Fig. Item	QTY	Part Number	Nomenclature	Effectivity
1 (4)			Interior Placards & Markings	
	1	AT01-1130-102	interior placard set (English)	4 CB rows
		AT01-1130-105	interior placard set (English)	5 CB rows
	2	AT01-1130-103	interior placard set (German)	4 CB rows
		AT01-1130-104	interior placard set (German)	5 CB rows

(CB = circuit breaker)

Note: Placards illustrated not in scale.
 Placards may vary in existence and location depending on instrumentation.



F On the right side wall of the center pedestal adjacent to the adjusting knob.

2— **ALTERNATE AIR / VERGASERVORW. ZIEHEN EIN**

Detail- **A**

ALTERNATE AIR / CARB. HEAT PULL ON — 1

2— **CHOKE ZIEHEN EIN**

Detail- **B**

CHOKE PULL ON — 1

2— **HEIZUNG ZIEHEN EIN**

Detail- **C**

CABIN HEAT PULL ON — 1

2— **VOLLGAS** **START Max. RPM**
LEERLAUF **Min. RPM REISE**

Detail- **D**

OPEN **HIGH RPM**
IDLE **LOW RPM**

Detail- **E**¹⁾ **MCP** — 1
 2

¹⁾ A/C equipped with MVP-50. Placard located at propeller position for max. continuous RPM.

2— **REIBVERSTELLUNG Leistung / Propeller**

Detail- **F**

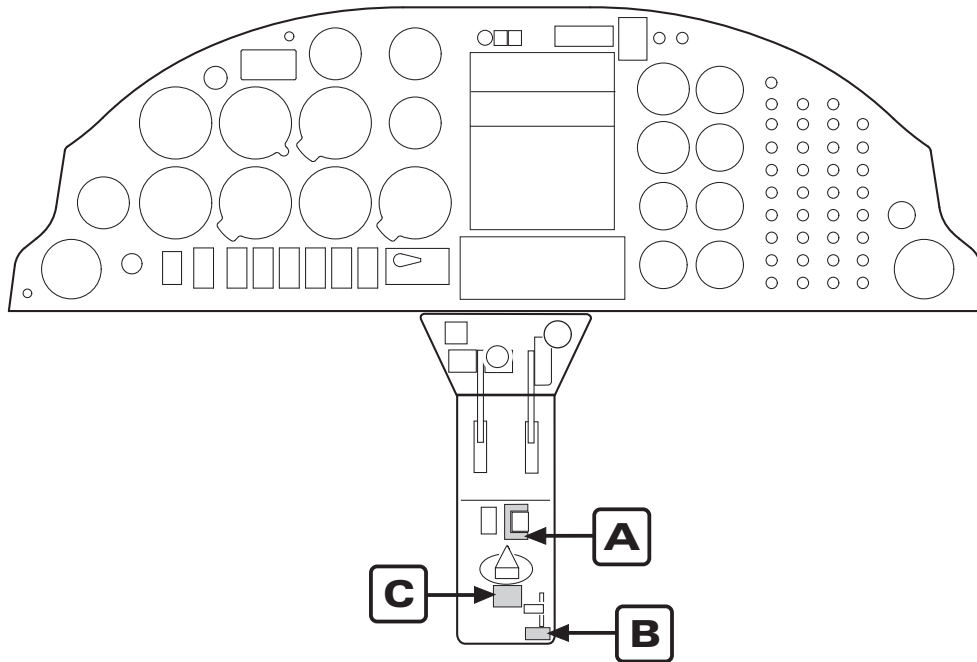
FRICTION LOCK Power / Prop — 1

Interior Placards & Markings
 Figure 1 (5)

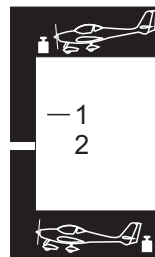
Fig. Item	QTY	Part Number	Nomenclature	Effectivity
1 (5)			Interior Placards & Markings	
	1	AT01-1130-102	interior placard set (English)	4 CB rows
		AT01-1130-105	interior placard set (English)	5 CB rows
	2	AT01-1130-103	interior placard set (German)	4 CB rows
		AT01-1130-104	interior placard set (German)	5 CB rows

(CB = circuit breaker)

Note: Placards illustrated not in scale.
 Placards may vary in existence and location depending on instrumentation.



Detail- **A**



Detail- **B**



Detail- **C**



Interior Placards & Markings
 Figure 1 (6)

Fig. Item	QTY	Part Number	Nomenclature	Effectivity
1 (6)			Interior Placards & Markings	
	1	AT01-1130-102	interior placard set (English)	4 CB rows
		AT01-1130-105	interior placard set (English)	5 CB rows
	2	AT01-1130-103	interior placard set (German)	4 CB rows
		AT01-1130-104	interior placard set (German)	5 CB rows

(CB = circuit breaker)



AQUILA AT01-100/200
ILLUSTRATED PARTS CATALOG

CHAPTER 21
VENTILATION & HEATING

TABLE OF CONTENTS

<u>Title</u> <u>Subject</u>	<u>Chapter</u> <u>Section</u> <u>Subject</u>	<u>Page</u>	<u>Effectivity</u>
VENTILATION & HEATING - GENERAL	21-00-00	1	
Ventilation & Heating - General	21-00-00	2	
Heating System Components	21-00-00	4	
Fresh Air Nozzles	21-00-00	6	

VENTILATION & HEATING
GENERAL

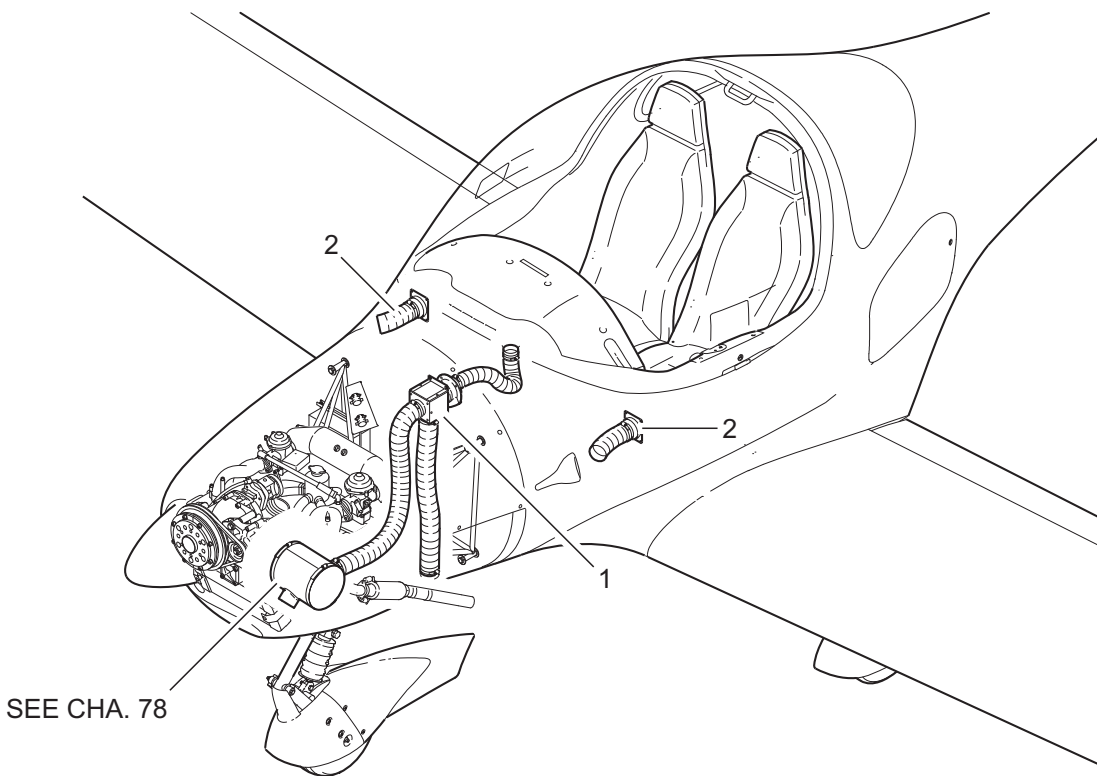


Fig. Item	QTY	Part Number	Nomenclature	Effectivity
1			Ventilation & Heating - General	
	1		Heating System Components (refer to 21-00-00, figure 2 for details)	
	2		Fresh Air Nozzles (refer to 21-00-00, figure 3 for details)	

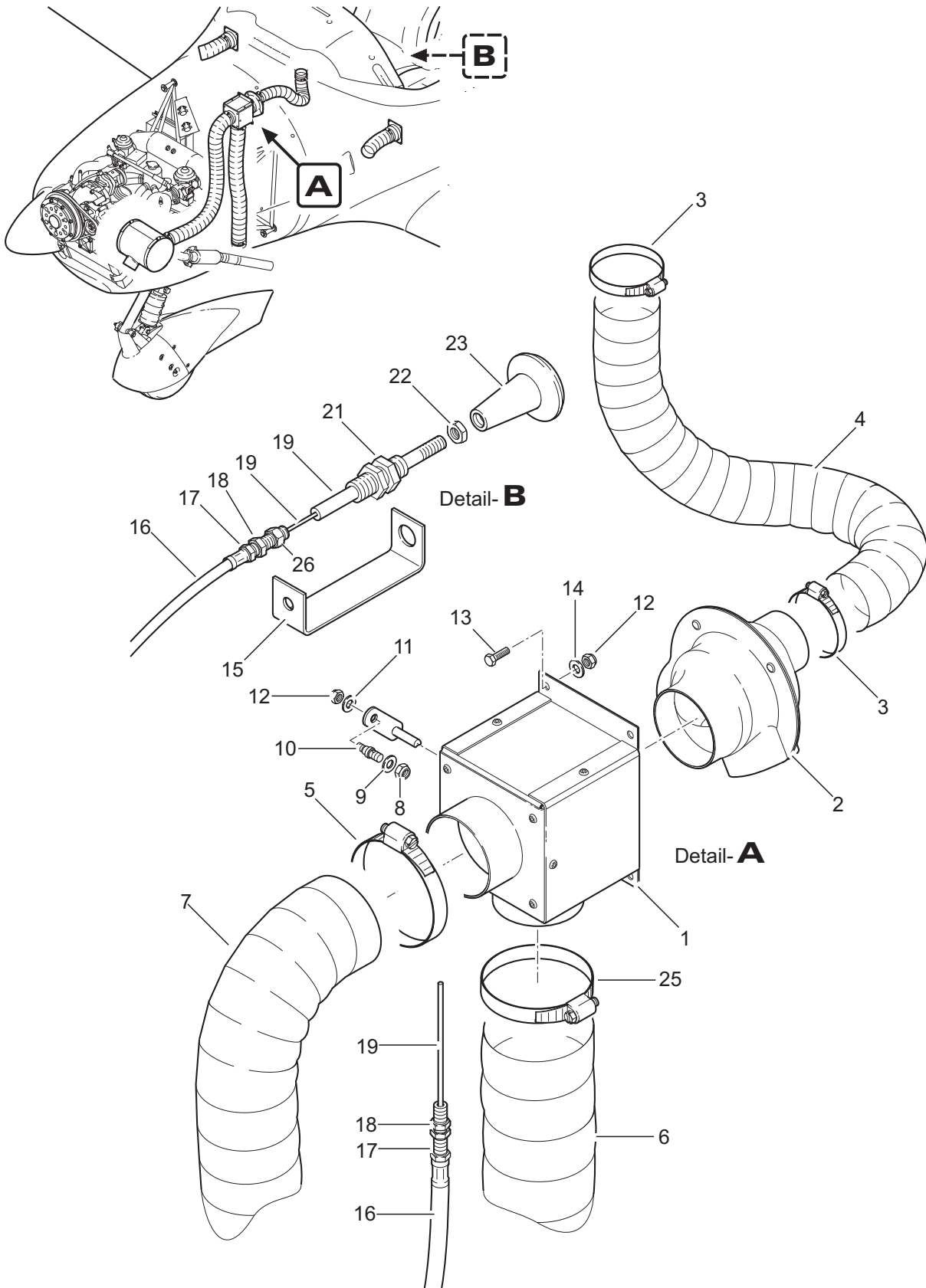
- Item not illustrated

Ventilation & Heating - General
Figure 1

21-00-00

Page 3

15.05.20



Heating System Components
Figure 2

Fig. Item	QTY	Part Number	Nomenclature	Effectivity
2			Heating System Components	
1	1	AT01-2600-010	heating box	
2	1	AT01-2600-003	hot air manifold cabin	
3	2	AT01-4520_TO25-40/9C7W1	hose clamp (DIN 3017 25-40mm)	
4	1	AT01-4520-605	air hose (black / Ø 42mm / 500mm)	
		AT01-4520-559	air hose (red / Ø 42mm / 500mm) (optional)	
5	2	AT01-4520_TO50-70/9C7W2	hose clamp (DIN 3017 50-70mm)	
6	1	AT01-4520-601	air hose (red / Ø 51mm / 730mm)	
7	1	AT01-4520-600	air hose (red / Ø 63mm / 1050mm)	
8	1	1800985_M5	locknut (ISO 10511 M5)	
9	1	1800125_5,3	washer (ISO 7089 5,3x10)	
10	1	AT01-2600-107	cable clamping screw	
11	1	1800125_4,3	washer (ISO 7089 4,3x9)	
12	5	1800985_M4	locknut (ISO 10511 M4)	
13	4	1800933_M4x20	bolt (ISO 4017 M4x20 8.8)	
14	4	1809021_4,3	washer (ISO 7093 4,3x12)	
15	1	AT01-7020-114	mounting bracket	
16	1	AT01-7020-130	Bowden wire shell (1080mm)	
17	1	AT01-4510-135	adjusting screw	
18	1	AT01-7020-132	nut	
19	1	AT01-7020-019	control wire assembly (1320mm / incl. pull rod)	
20	-	-	-	
21	1	AT01-7020-116	screw joint	
22	1	1800439_M5	nut (ISO 4035 M5)	
23	1	AT01-1860-611	control knob (M5)	
25	1	AT01-4520_TO40-60/9C7W2	hose clamp (DIN 3017 40-60mm)	
26	1	1800439_M6	nut (ISO 4035 M6)	

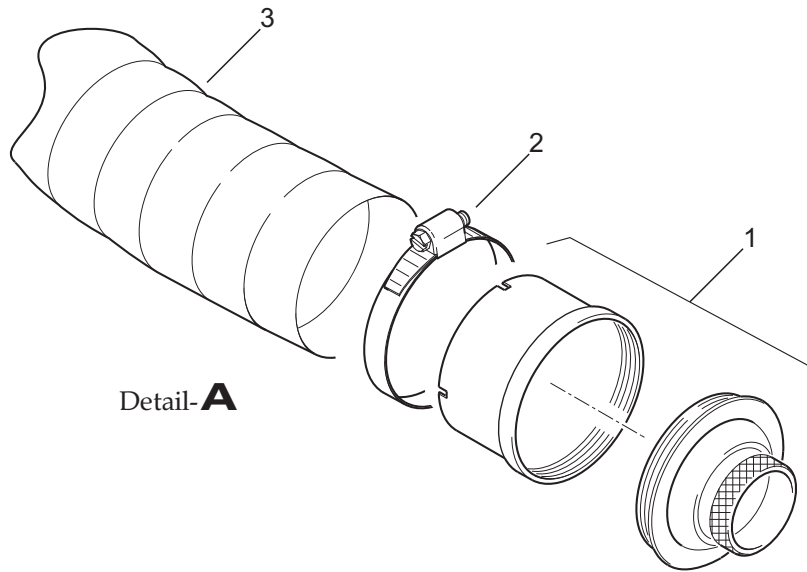
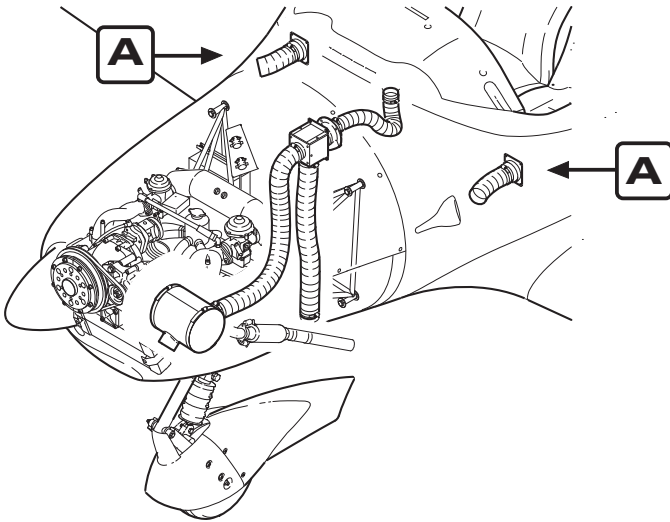
- Item not illustrated

Heating System Components
Figure 2

21-00-00

Page 5

15.05.20



Detail-**A**

Fig. Item	QTY	Part Number	Nomenclature	Effectivity
3			Fresh Air Nozzles	
1	1	AT01-2630-105	air nozzle	
2	1	AT01-4520_TO40-60/9C7W2	hose clamp (DIN 3017 40-60mm)	
3	1	AT01-4520-606	air hose (black / Ø 51mm / 245mm)	
		AT01-4520-601	air hose (red / Ø 51mm / 245mm) (optional)	

- Item not illustrated

Fresh Air Nozzles
Figure 3

21-00-00

Page 7

15.05.20



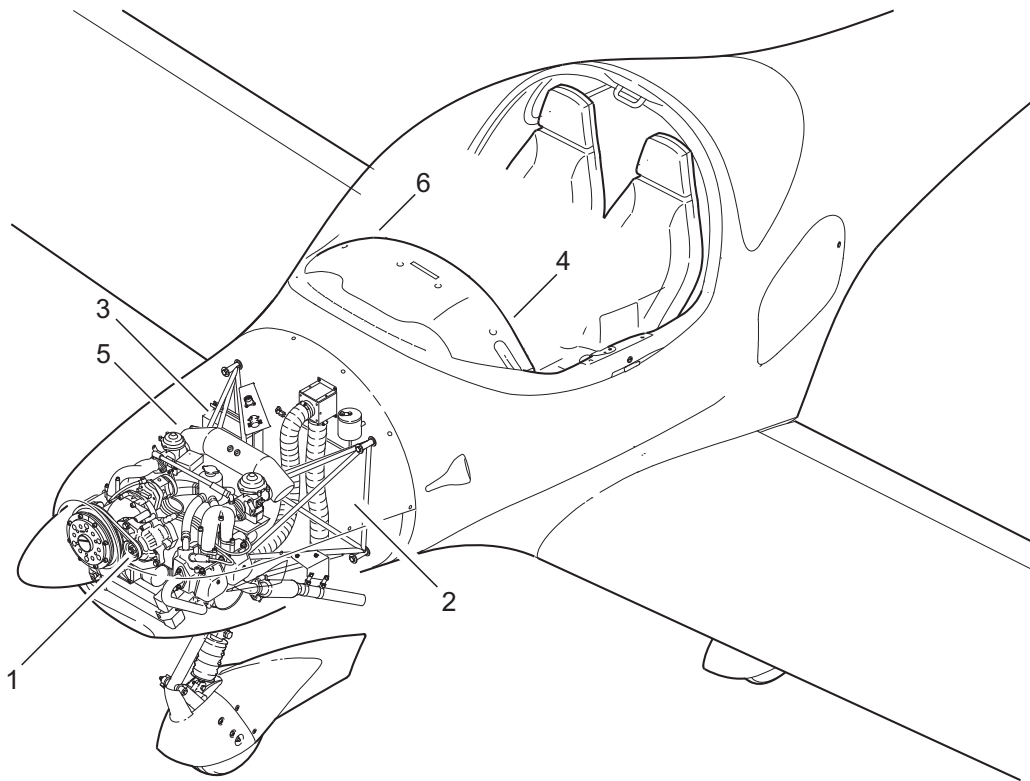
AQUILA AT01-100/200
ILLUSTRATED PARTS CATALOG

CHAPTER 24
ELECTRICAL POWER

TABLE OF CONTENTS

<u>Title</u> <u>Subject</u>	<u>Chapter</u> <u>Section</u> <u>Subject</u>	<u>Page</u>	<u>Effectivity</u>
ELECTRICAL POWER - GENERAL	24-00-00	1	
Electrical Power - General	24-00-00	2	
ALTERNATOR SYSTEM	24-20-00	1	
External Alternator Installation	24-20-00	2	
Rectifier-Regulator Unit Installation	24-20-00	4A	Rotax 912S
Rectifier-Regulator Unit Installation	24-20-00	4B	Rotax 914F
BATTERY SYSTEM	24-30-00	1	
Main Battery Installation	24-30-00	2	
ELECTRICAL LOAD DISTRIBUTION	24-60-00	1	
Electrical Components - Instrument Panel	24-60-00	2	
Electrical Components - Engine Compartment	24-60-00	4	
Circuit Breaker Panel	24-60-00	6	

ELECTRICAL POWER
GENERAL



Electrical Power - General
Figure 1

Fig. Item	QTY	Part Number	Nomenclature	Effectivity
1			Electrical Power - General	
	1		External Alternator Installation (refer to 24-20-00, figure 1 for details)	
	2		Rectifier-Regulator Unit Installation (refer to 24-20-00, figure 2A for details)	Rotax 912S
	2		Rectifier-Regulator Unit Installation (refer to 24-20-00, figure 2B for details)	Rotax 914F
	3		Main Battery Installation (refer to 24-30-00, figure 1 for details)	
	4		Electrical Components - Instrument Panel (refer to 24-60-00, figure 1 for details)	
	5		Electrical Components - Engine Compartment (refer to 24-60-00, figure 2 for details)	
	6		Circuit Breaker Panel (refer to 24-60-00, figure 3 for details)	

- Item not illustrated

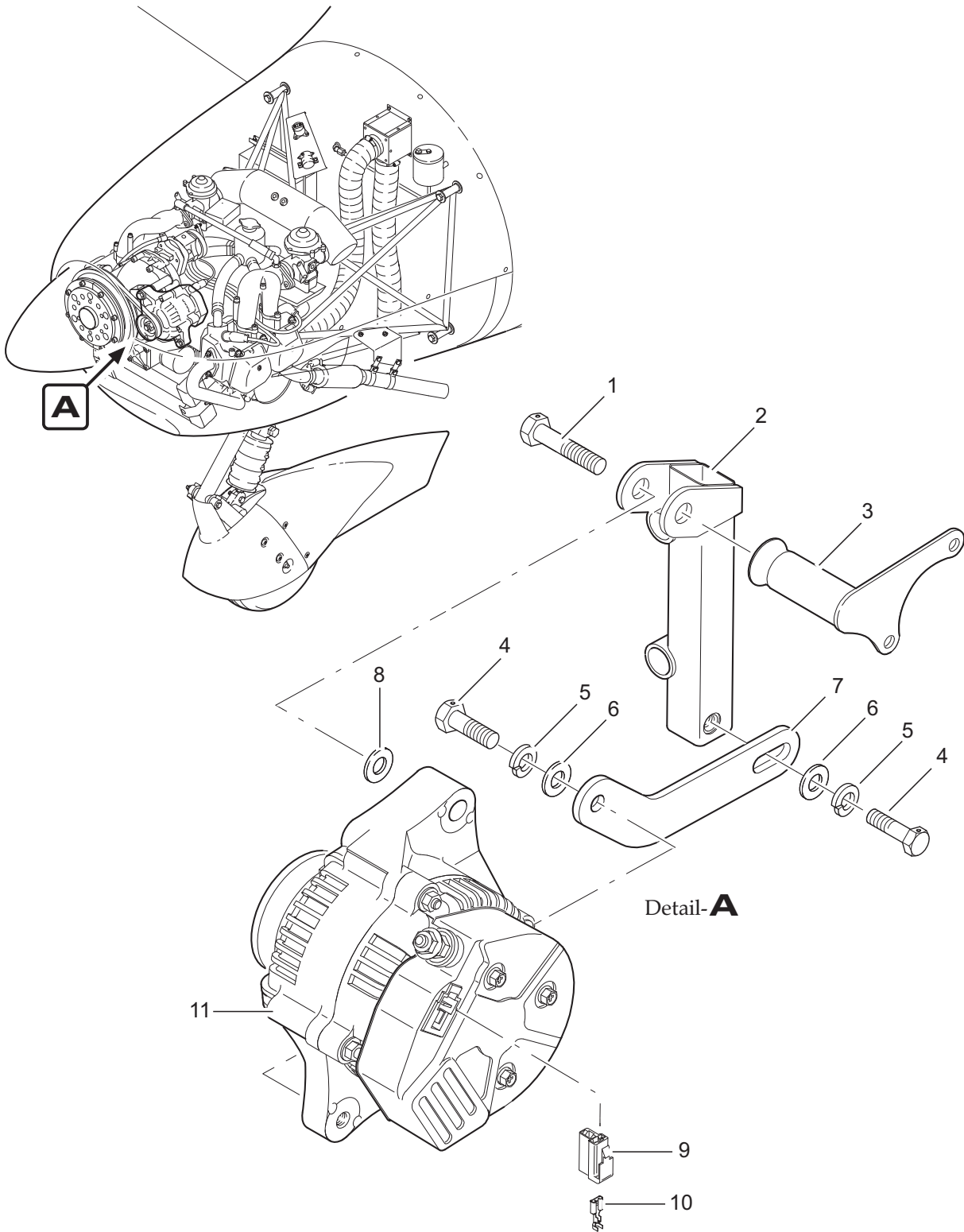
Electrical Power - General
Figure 1

24-00-00

Page 3

15.05.20

ALTERNATOR SYSTEM



External Alternator Installation
Figure 1

Fig. Item	QTY	Part Number	Nomenclature	Effectivity
1			External Alternator Installation	
	1	Ro 941636	bolt (M10x45)	
	2	Ro 953222	alternator bracket assy.	
	3	Ro 953232	alternator support assy.	
	4	Ro 940596	bolt (M8x20)	
	5	Ro 954752	lock washer	
	6	Ro 227935	washer	
	7	Ro 953241	tension bar	
	8	Ro 927952	washer	
	9	Ro 265255	connector housing 2-pole	
	10	Ro 864011	Faston connector	
	11	Ro 887251	alternator	

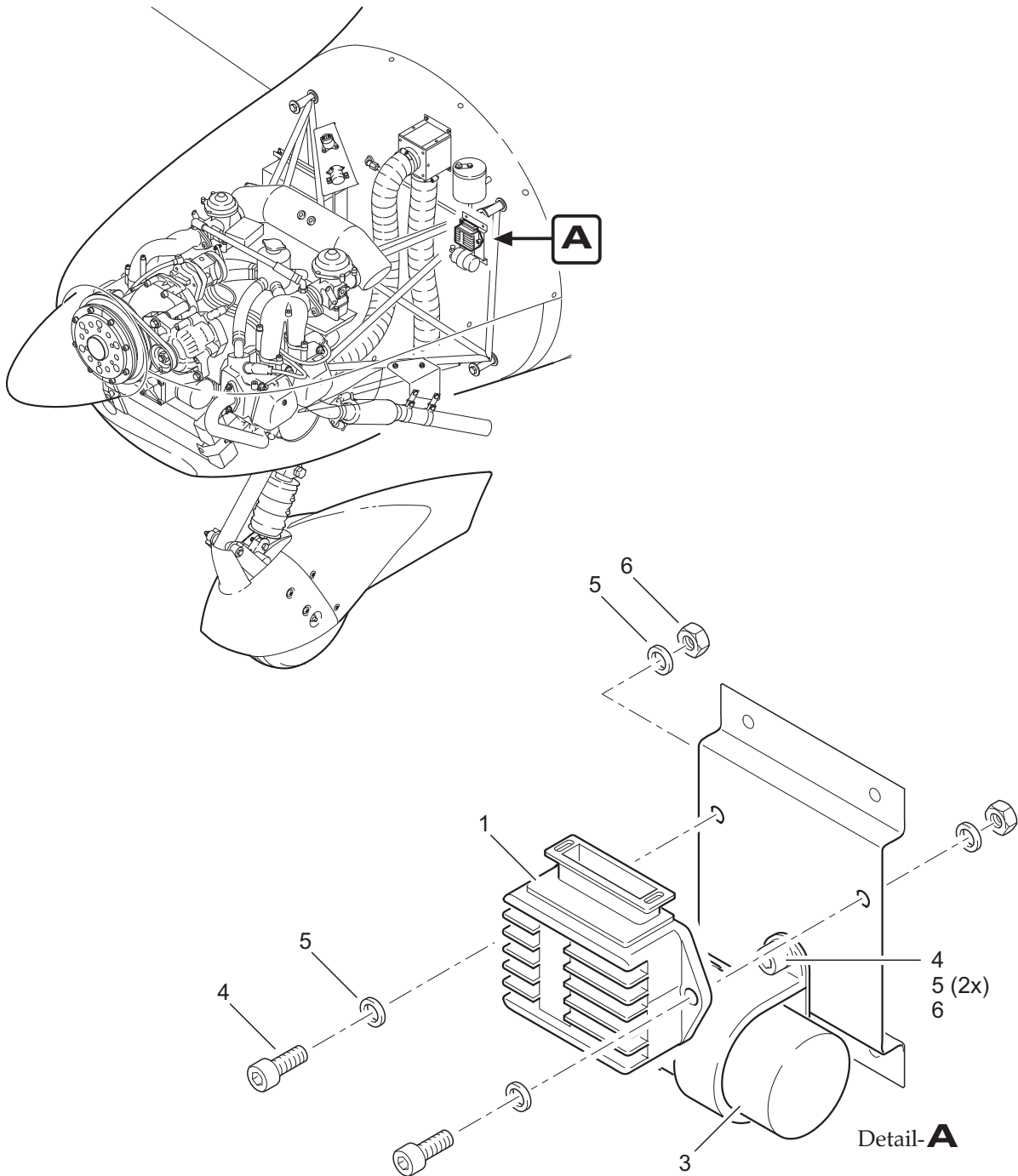
- Item not illustrated

External Alternator Installation
Figure 1

24-20-00

Page 3

15.05.20



EFFECTIVITY

Aircraft equipped
with Rotax 912S

Rectifier-Regulator Unit Installation
Figure 2A

24-20-00

Fig. Item	QTY	Part Number	Nomenclature	Effectivity
1			Rectifier-Regulator Unit Installation (Night-VFR only)	Rotax 912S
	1	AT01-7080-025	rectifier-regulator (Rotax P/N: 965349)	
	2	AT01-4540-100	mounting bracket	
	3	AT01-7080-435	capacitor kit (Rotax P/N: 966590 / incl. clamp)	
	4	1800912_M8x20	bolt (ISO 4762 M8x20 8.8)	
	5	AT01-4540-101	Nordlock washer	
	6	1800934_M8	nut (ISO 4032 M8)	
	-7	1807337_3,2x6 ES/ES	rivet (ISO 15984 3,2x6 A2/A2)	

- Item not illustrated

Rectifier-Regulator Unit Installation
Figure 2A

24-20-00

Page 5A

15.05.20

Fig. Item	QTY	Part Number	Nomenclature	Effectivity
1			Rectifier-Regulator Unit Installation	Rotax 914F
1	1	AT01-7080-025	rectifier-regulator (Rotax P/N: 965349)	
2	2	AT01-4540-100	mounting bracket	
3	1	AT01-7080-435	capacitor kit (Rotax P/N: 966590 / incl. clamp)	
4	3	1800912_M8x20	bolt (ISO 4762 M8x20 8.8)	
5	6	AT01-4540-101	Nordlock washer	
6	3	1800934_M8	nut (ISO 4032 M8)	
-7	8	1807337_3,2x6 ES/ES	rivet (ISO 15984 3,2x6 A2/A2)	
8	1	AT01-7000-180	cover 1	
9	1	AT01-7000-181	cover 2	
10	3	AT01-4530-991	spacer	
11	3	AT01-4530-990	spacer	
12	6	1800125_5,3	washer (ISO 7089 5,3x10)	
13	6	1800985_M5	locknut (ISO 10511 M5)	
14	1	AT01-8210-132	BAT 2 battery	
15	1	AT01-4530-255	fuse holder	
16	2	AT01-4530-412	fuse 10A	
17	2	AT01-4530-708	Schottky diode	
18	1	AT01-4530-694	resistor	
19	1	AT01-8210-145	upper battery mounting bracket	
20	1	AT01-8210-144	lower battery mounting bracket	
21	1	AT01-8210-146	battery locking plate	
22	2	1800933_M3x10	bolt (ISO 4017 M3x10 8.8)	
-23	2	1800125_3,2	washer (ISO 7089 3,2x7)	
-24	2	1800985_M3	locknut (ISO 10511 M3)	
25	1	1800933_M4x12	bolt (ISO 4017 M4x12 8.8)	
26	1	1800125_4,3	washer (ISO 7089 4,3x9)	
27	1	1800985_M4	locknut (ISO 10511 M4)	

- Item not illustrated

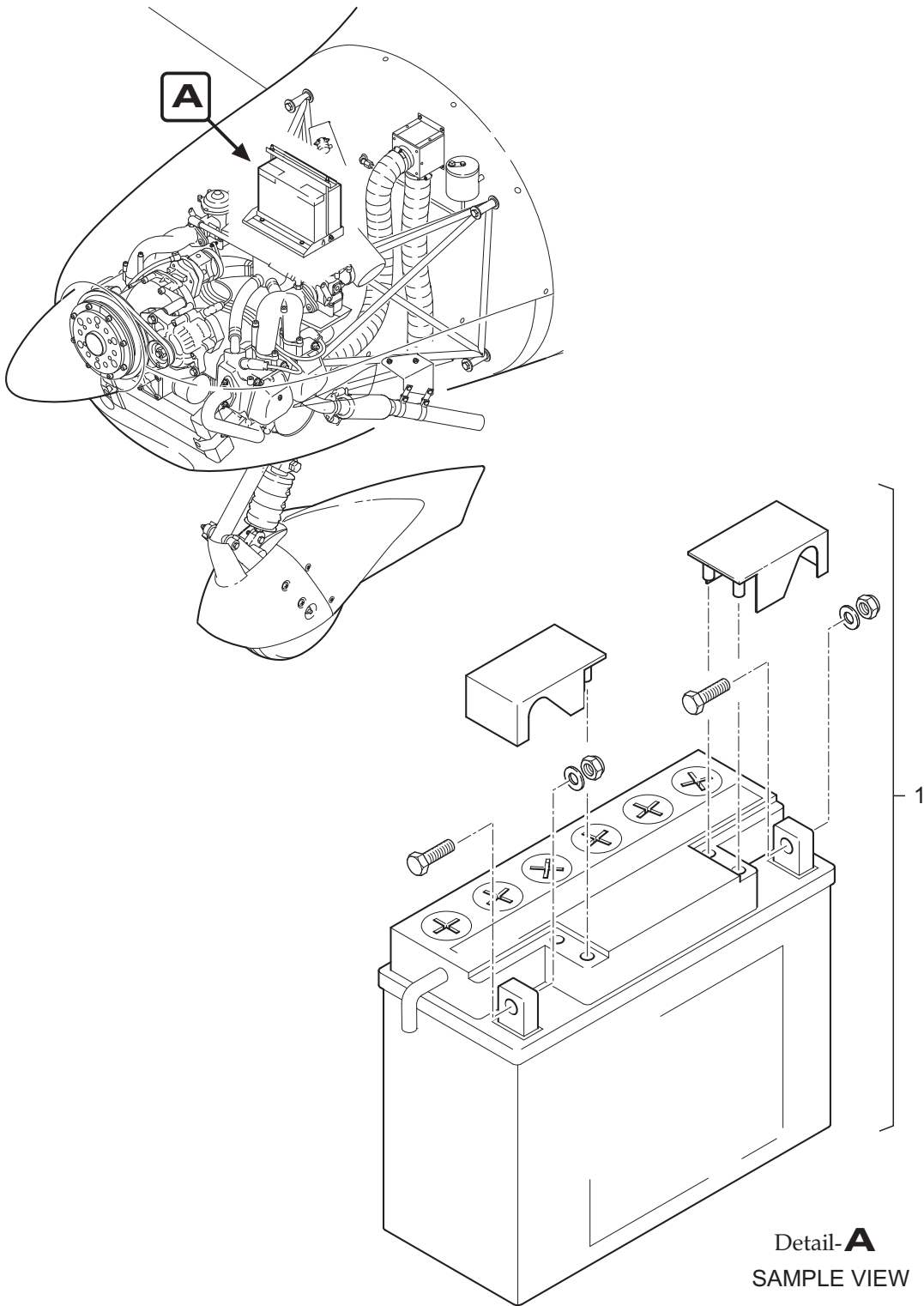
Rectifier-Regulator Unit Installation
Figure 2B

24-20-00

Page 5B

15.05.20

BATTERY SYSTEM



Main Battery Installation
Figure 1

Fig. Item	QTY	Part Number	Nomenclature	Effectivity
1			Main Battery Installation	
	1	AT01-8210-128	battery Exide Sprinter P12V600	Rotax 912S
		AT01-8210-129	battery Hawker Odyssey PC950	Rotax 914F
-2	1	AT01-7010-114	battery bracket	Rotax 912S
		AT01-7010-144	battery bracket	Rotax 914F
-3	2	AT01-7010-113	battery bracket bolt	Rotax 912S
		AT01-7010-137	battery bracket bolt	Rotax 914F
-4	2	1800125_5,3	washer (ISO 7089 5,3x10)	
-5	2	1800985_M5	locknut (ISO 10511 M5)	

- Item not illustrated

Main Battery Installation
Figure 1

24-30-00

Page 3

15.05.20

**ELECTRICAL LOAD
DISTRIBUTION**

Fig. Item	QTY	Part Number	Nomenclature	Effectivity
1			Electrical Components - Instrument Panel	
	1	AT01-8250-105	ignition lock	
	AR	AT01-8250-103	mount for master split switch	
	AR	AT01-8250-104	split master switch	
	AR	AT01-4530-403	fuse switch (3A)	
		AT01-4530-405	fuse switch (5A)	
		AT01-4530-410	fuse switch (10A)	
		AT01-4530-420	fuse switch (20A)	
	1	AT01-2840-126	voltmeter	AT01-100A/B
	1	AT01-2840-121	ammeter	AT01-100A/B

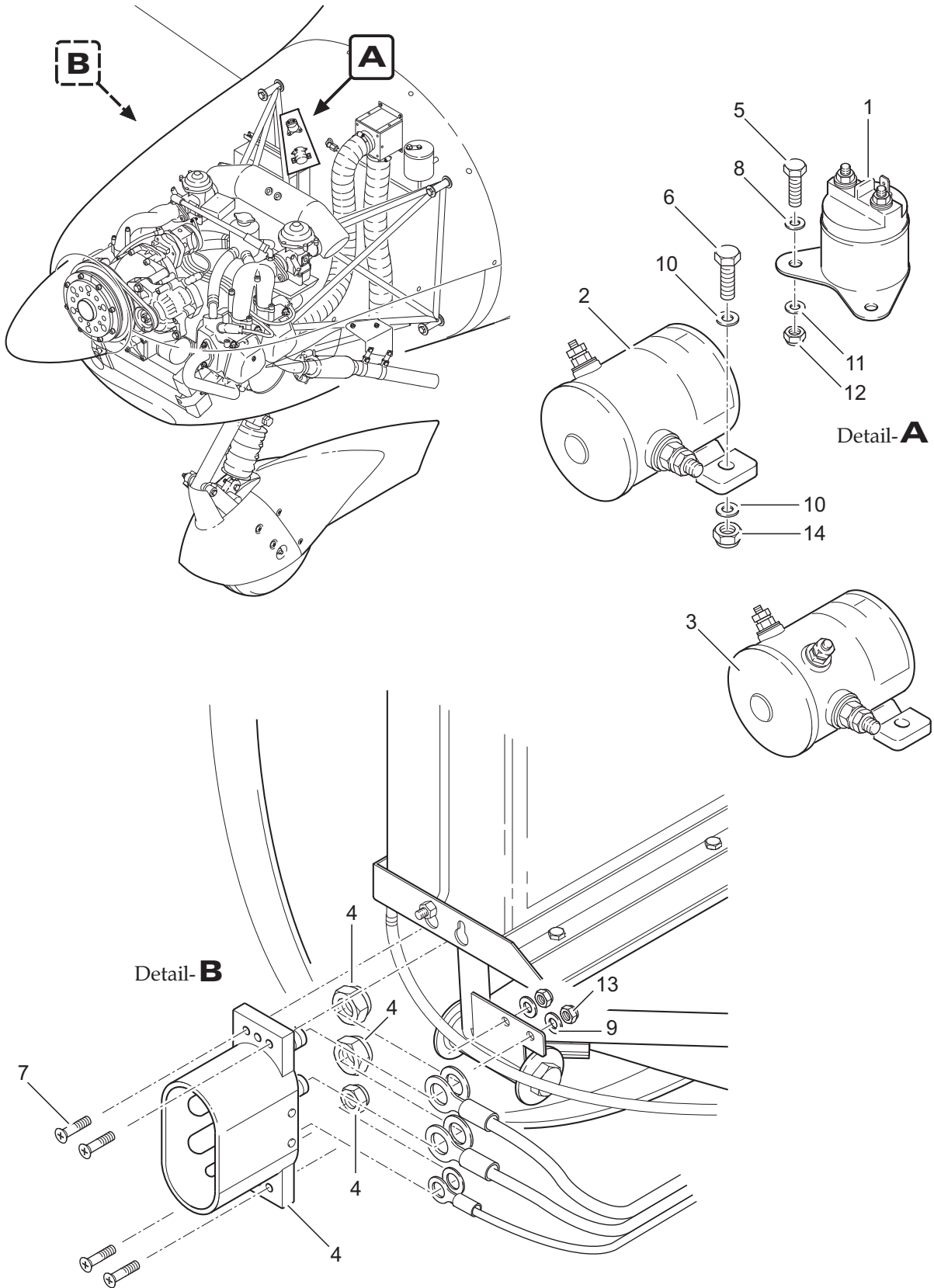
- Item not illustrated

Electrical Components - Instrument Panel
Figure 1

24-60-00

Page 3

15.05.20



Electrical Components - Engine Compartment
Figure 2

Fig. Item	QTY	Part Number	Nomenclature	Effectivity
2			Electrical Components - Engine Compartment	
1	1	AT01-7080-107	starter relay	
2	1	AT01-4530-601	battery relay	
3	1	AT01-8220-123	external power relay	ext. power
4	1	AT01-8220-120	external power supply receptacle	ext. power
5	2	1800933_M5x18	bolt (ISO 4017 M5x18 8.8)	
6	2	1800933_M6x30	bolt (ISO 4017 M6x30 8.8)	
7	4	1800933_M5x25	bolt (ISO 4017 M5x25 8.8)	ext. power
8	2	1800125_5,3	washer (ISO 7089 5,3x10)	
9	4	1800125_5,3	washer (ISO 7089 5,3x10)	ext. power
10	4	1809021_6,4	washer (ISO 7093 6,4x18)	
11	2	1806797_5,3	tooth lock washer (DIN 6797 d5,3)	
12	2	1800985_M5	locknut (ISO 10511 M5)	
13	4	1800985_M5	locknut (ISO 10511 M5)	ext. power
14	2	1800985_M6	locknut (ISO 10511 M6)	

- Item not illustrated

Electrical Components - Engine Compartment
Figure 2

24-60-00

Page 5

15.05.20

Fig. Item	QTY	Part Number	Nomenclature	Effectivity
3			Circuit Breaker Panel	
1	AR	AT01-4530-302	circuit breaker (2A)	
		AT01-4530-303	circuit breaker (3A)	
		AT01-4530-304	circuit breaker (4A)	
		AT01-4530-305	circuit breaker (5A)	
		AT01-4530-307	circuit breaker (7,5A)	
		AT01-4530-310	circuit breaker (10A)	
		AT01-4530-320	circuit breaker (20A)	
		AT01-4530-325	circuit breaker (25A)	
		AT01-4530-331	circuit breaker (30A)	
		AT01-4530-350	circuit breaker (50A)	

- Item not illustrated

Circuit Breaker Panel
Figure 3

24-60-00

Page 7

15.05.20



AQUILA AT01-100/200
ILLUSTRATED PARTS CATALOG

CHAPTER 25
EQUIPMENT & FURNISHINGS

TABLE OF CONTENTS

<u>Title</u> <u>Subject</u>	<u>Chapter</u> <u>Section</u> <u>Subject</u>	<u>Page</u>	<u>Effectivity</u>
EQUIPMENT & FURNISHINGS - GENERAL	25-00-00	1	
Equipment & Furnishings - General	25-00-00	2	
SEATS	25-10-00	1	
Seats	25-10-00	2	
Restraint System	25-10-00	4	



AQUILA AT01-100/200
ILLUSTRATED PARTS CATALOG

EQUIPMENT & FURNISHINGS
GENERAL

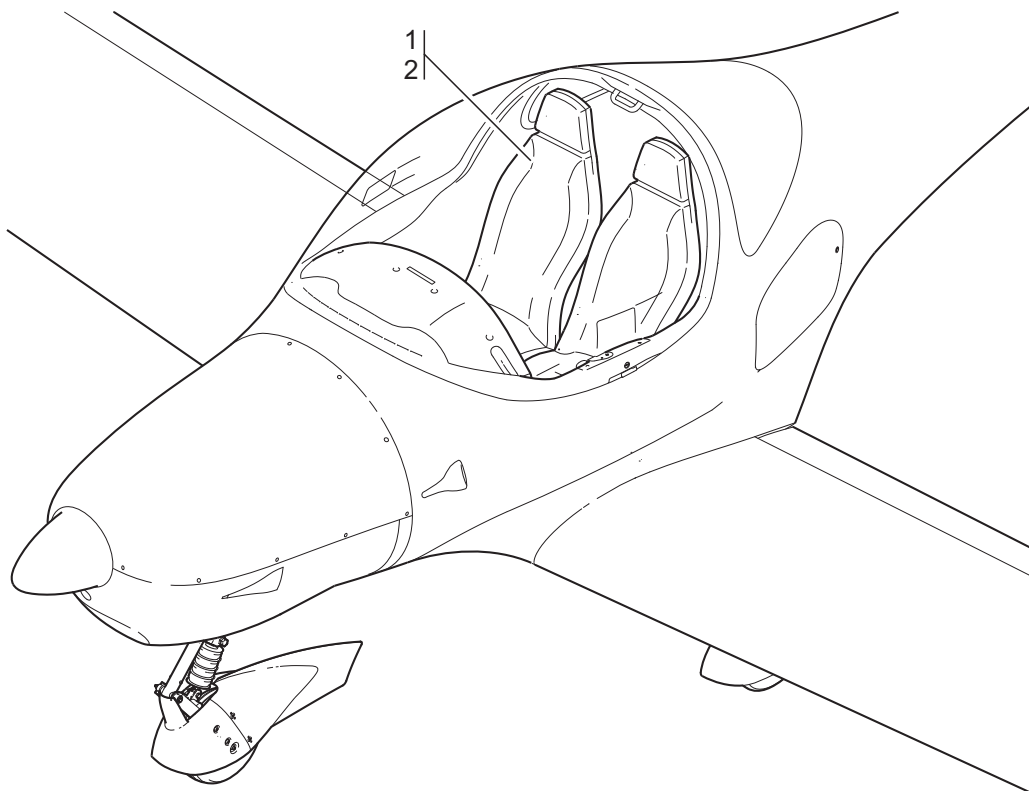


Fig. Item	QTY	Part Number	Nomenclature	Effectivity
1			Equipment & Furnishings - General	
	1		Seats (refer to 25-10-00, figure 1 for details)	
	2		Restraint System (refer to 25-10-00, figure 2 for details)	

- Item not illustrated

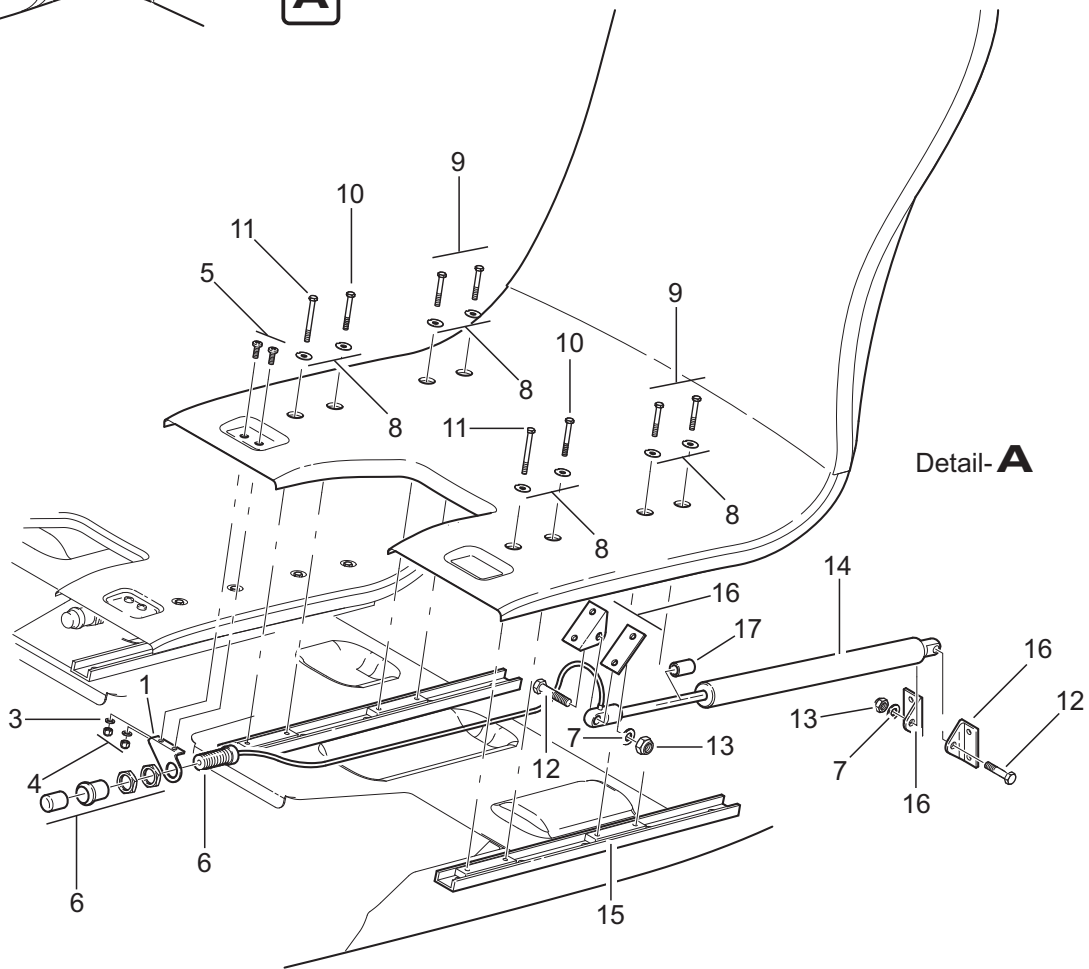
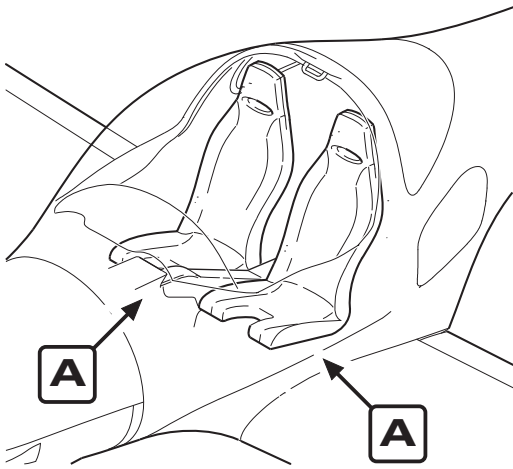
Equipment & Furnishings - General
Figure 1

25-00-00

Page 3

15.05.20

SEATS



Seats
Figure 1

Fig. Item	QTY	Part Number	Nomenclature	Effectivity
1			Seats	
1	1	AT01-2150-117	bearing angle	
2	-	-	-	
3	2	1800125_5,3	washer (ISO 7089 5,3x10)	
4	2	1800985_M5	locknut (ISO 10511 M5)	
5	2	1807991_M5x20	bolt (ISO 10642 M5x20 8.8)	
6	1	AT01-2150-162	hydraulic release system	
	2	1800936_M16x1,5	nut (ISO 8675 M16, included in AT01-2150-162)	
	1	AT01-9610-162	adjusting button (included in AT01-2150-162)	
7	2	1800125_8,4	washer (ISO 7089 8,4x16)	
8	8	1809021_5,3	washer (ISO 7093 5,3x15)	
9	4	1800931_M5x35	bolt (ISO 4014 M5x35 8.8)	
10	2	1800931_M5x40	bolt (ISO 4014 M5x40 8.8)	
11	2	1800931_M5x45	bolt (ISO 4014 M5x45 8.8)	
12	2	1809037_08032	bolt (LN 9037 M8x32)	
13	2	1800985_M8	locknut (ISO 10511 M8)	
14	1	AT01-2150-007	gas-filled strut	
15	2	AT01-2150-103	seat rail	
16	4	AT01-4510-128	bearing angle	
17	1	AT01-2150-179	spacer sleeve (optional)	

Installation of bearing angles AT01-4510-128 to airframe:

-18	4	1800933_M6x25	bolt (ISO 4017 M6x25 8.8)
-19	4	1809021_6,4	washer (ISO 7093 6,4x18)
-20	4	1800985_M6	locknut (ISO 10511 M6)

Installation of bearing angles AT01-4510-128 to seat:

-21	4	1800933_M6x25	bolt (ISO 4017 M6x25 8.8)
-22	4	1809021_6,4	washer (ISO 7093 6,4x18)
-23	4	1800125_6,4	washer (ISO 7089 6,4x12)
-24	4	1800985_M6	locknut (ISO 10511 M6)

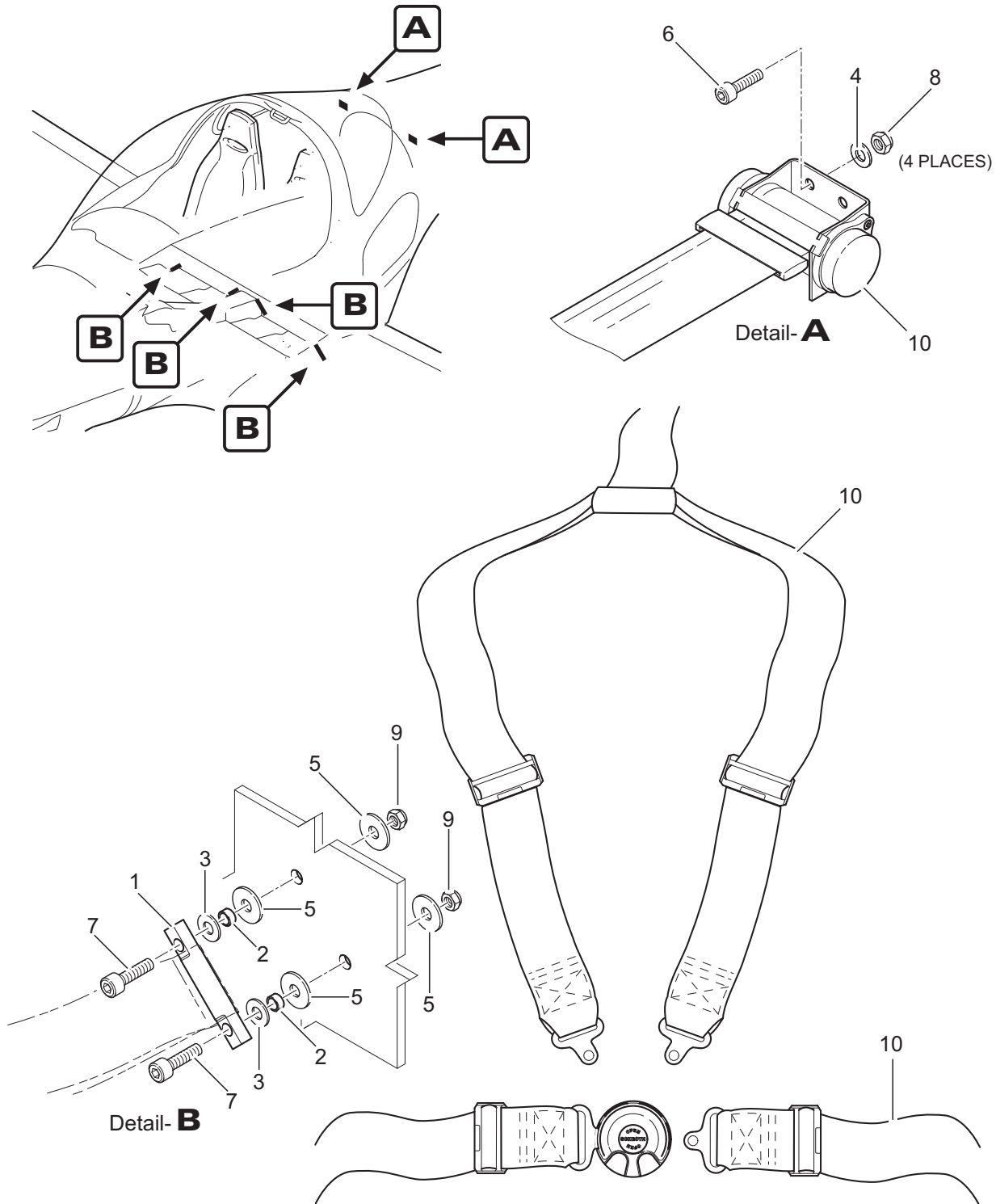
- Item not illustrated

Seats
Figure 1

25-10-00

Page 3

15.05.20



Restraint System
Figure 2

Fig. Item	QTY	Part Number	Nomenclature	Effectivity
2			Restraint System	
1	4	AT01-2150-110	seat belt hoop	
2	8	AT01-4510-110	spacer sleeve	
3	8	1800125_8,4	washer (ISO 7089 8,4x16)	
4	8	1800440_5,5	washer (ISO 7094 5,5x18)	
5	16	1809021_8,4	washer (ISO 7093 8,4x24)	
6	8	1800912_M5x25	bolt (ISO 4762 M5x25 8.8)	
7	8	1800912_M8x50	bolt (ISO 4762 M8x50 8.8)	
8	8	1800985_M5	locknut (ISO 10511 M5)	
9	8	1800985_M8	locknut (ISO 10511 M8)	
10	1	AT01-2150-130	seat belt LH	
-11	1	AT01-2150-131	seat belt RH	

- Item not illustrated

Restraint System
Figure 2

25-10-00

Page 5

15.05.20



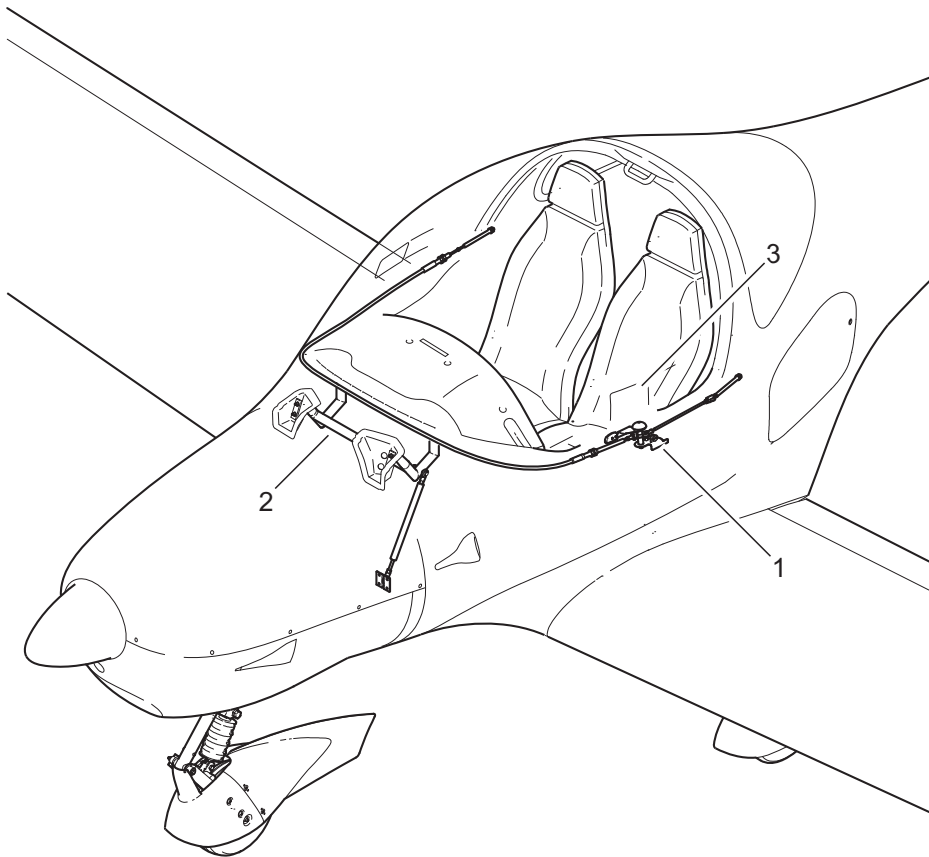
CHAPTER 56

WINDOWS

TABLE OF CONTENTS

<u>Title</u> <u>Subject</u>	<u>Chapter</u> <u>Section</u> <u>Subject</u>	<u>Page</u>	<u>Effectivity</u>
CANOPY	56-10-00	1	
Canopy - General	56-10-00	2	
Canopy Latching Mechanism	56-10-00	4	
Canopy Hinge Bracket	56-10-00	6	
Canopy Frame / Glass	56-10-00	8	

CANOPY



Canopy - General
Figure 1

Fig. Item	QTY	Part Number	Nomenclature	Effectivity
1			Canopy - General	
	1		Canopy Latching Mechanism (refer to 56-10-00, figure 2 for details)	
	2		Canopy Hinge Bracket (refer to 56-10-00, figure 3 for details)	
	3		Canopy Frame / Glass (refer to 56-10-00, figure 4 for details)	

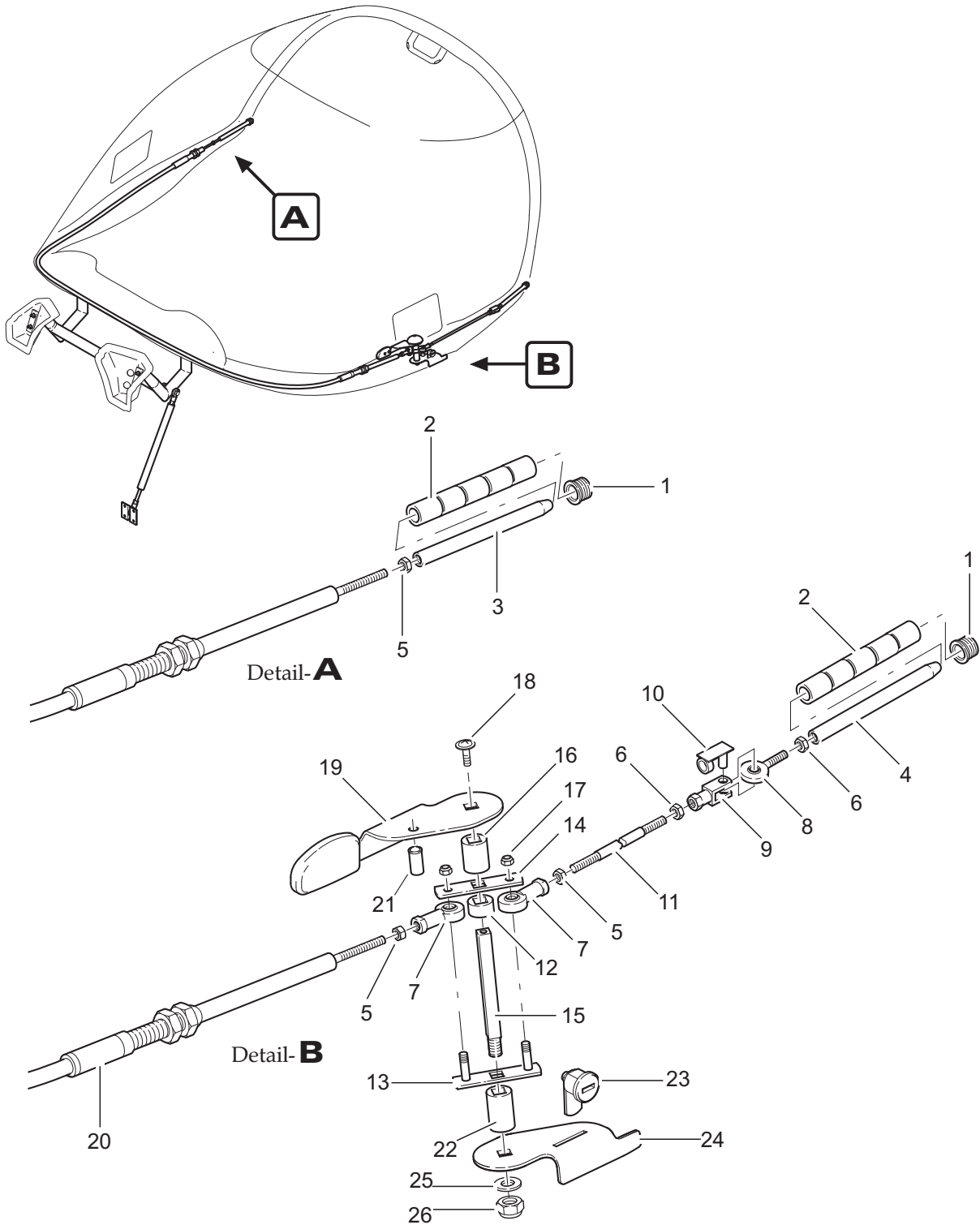
- Item not illustrated

Canopy - General
Figure 1

56-10-00

Page 3

15.05.20



Cabin Latching Mechanism
Figure 2

Fig. Item	QTY	Part Number	Nomenclature	Effectivity
2			Canopy Latching Mechanism	
1	2	AT01-2340-103	bush for locking bolt	
2	2	AT01-2340-112	bearing bush for locking bolt	
3	1	AT01-2340-114	locking bolt RH	
4	1	AT01-2340-101	locking bolt LH	
5	3	1800934_M5	nut (DIN 934 M5)	
6	2	1800934_M6	nut (DIN 934 M6)	
7	2	AT01-1850-115	swivel head (internal thread M5)	
8	1	AT01-1850-118	swivel head (external thread M6)	
9	1	AT01-1850-206	fork head	
10	1	AT01-1850-207	fork head bolt	
11	1	AT01-2340-113	pushrod	
12	1	AT01-2340-109	spacer sleeve	
13	1	AT01-2340-008	drive plate assy	
14	1	AT01-2340-108	drive plate	
15	1	AT01-2340-111	drive shaft	
16	1	AT01-2340-115	drive shaft bearing (top)	
17	2	1800985_M5	locknut (ISO 10511 M5)	
18	1	1807380_6x10	bolt (ISO 7380 M6x10)	
19	1	AT01-2340-117-070	top/inside handle for canopy latching	
20	1	AT01-2340-005	drive cable for canopy latching	
21	1	AT01-1860-110	plunger M10x22	
22	1	AT01-2340-110	drive shaft bearing (bottom)	
23	1	AT01-4540-104	canopy lock	
24	1	AT01-2340-107	bottom/outside handle for canopy latching	
25	1	1800125_8,4	washer (ISO 7089 8,4x16)	
26	1	1800985_M8	locknut (ISO 10511 M8)	

Service Kits & Tools

AT01-9600-109	drive cable for canopy latching (one side crimped)
AT01-9600-108	steel end M5 (to crimp on)

Refer to SL-AT01-002 for canopy latching drive cable exchange.

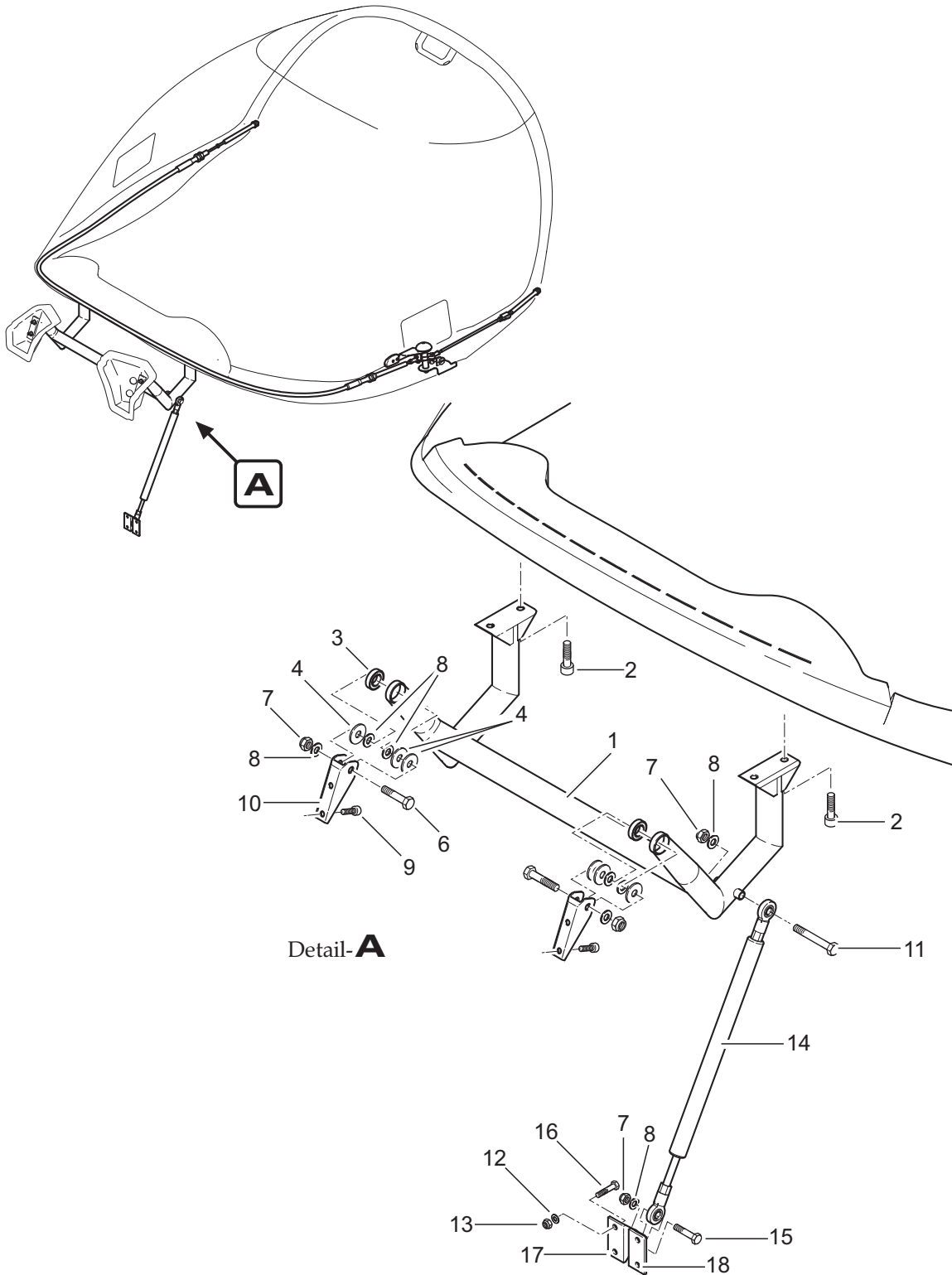
- Item not illustrated

Cabin Latching Mechanism
Figure 2

56-10-00

Page 5

15.05.20



Detail-**A**

Canopy Hinge Bracket
Figure 3

Fig. Item	QTY	Part Number	Nomenclature	Effectivity
3			Canopy Hinge Bracket	
1	1	AT01-2330-002	canopy suspension fork	
2	4	1800912_M8x25	bolt (ISO 4762 M8x25 8.8)	
3	2	AT01-1850-608	ball bearing	
4	6	1809021_8,4	washer (ISO 7093 8,4x24)	
6	2	1809037_08032	bolt (LN 9037 M8x32)	
7	4	1800985_M8	locknut (ISO 10511 M8)	
8	8	1800125_8,4	washer (ISO 7089 8,4x16)	
9	4	1800912_M6x20	bolt (ISO 4762 M6x20 8.8)	
10	2	AT01-2330-102	Bearing Fitting	
11	1	1800931_M8x60	bolt (ISO 4014 M8x60 8.8)	
12	4	1809021_6,4	washer (ISO 7093 6,4x18)	
13	4	1800985_M6	locknut (ISO 10511 M6)	
14	1	AT01-2330-006	gas-filled strut	
15	1	1800931_M8x35	bolt (ISO 4014 M8x35 8.8)	
16	4	1800933_M6x25	bolt (ISO 4017 M6x25 8.8)	
17	1	AT01-4510-139	bearing angle RH	
18	1	AT01-4510-140	bearing angle LH	

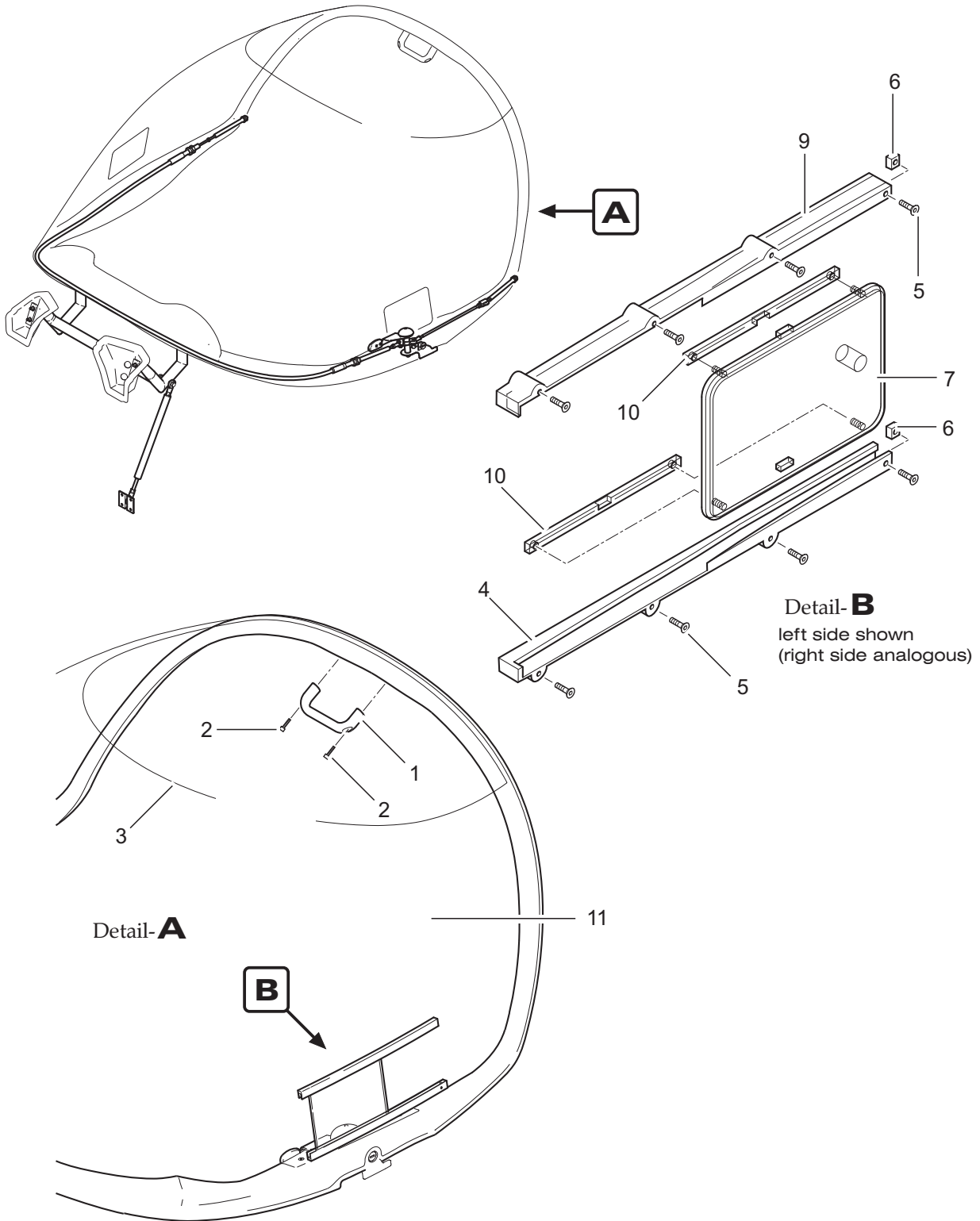
- Item not illustrated

Canopy Hinge Bracket
Figure 3

56-10-00

Page 7

15.05.20



Canopy Frame / Glass
Figure 4

Fig. Item	QTY	Part Number	Nomenclature	Effectivity
4			Canopy Frame / Glass	
1	1	AT01-2310-100	canopy handle	
2	2	1800912_M6x20	bolt (ISO 4762 M6x20 8.8)	
3	1	AT01-2320-002	sun protection film	
4	1	AT01-2320-204	guide rail for window (top RH and bottom LH)	
5	8	AT01-2320-207	guide rail screw	
6	2	AT01-2320-206	stop block	
7	1	AT01-2320-236	window LH, uncolored	300-301, 303-306
		AT01-2320-242	window LH, uncolored	302, 307-999
		AT01-2320-238	window LH, blue	300-301, 303-306
		AT01-2320-244	window LH, blue	302, 307-999
		AT01-2320-240	window LH, grey	300-301, 303-306
		AT01-2320-246	window LH, grey	302, 307-999
-8	1	AT01-2320-235	window RH, uncolored	300-301, 303-306
		AT01-2320-241	window RH, uncolored	302, 307-999
		AT01-2320-237	window RH, blue	300-301, 303-306
		AT01-2320-243	window RH, blue	302, 307-999
		AT01-2320-239	window RH, grey	300-301, 303-306
		AT01-2320-245	window RH, grey	302, 307-999
9	1	AT01-2320-203	guide rail for window (bottom RH and top LH)	
10	2	AT01-2320-205	slide bar	
11	1	AT01-2320-115	canopy glass, uncolored	
		AT01-2320-116	canopy glass, blue	
		AT01-2320-117	canopy glass, grey	
-12	1	AT01-2320-106	rear window glass, uncolored	
		AT01-2320-107	rear window glass, blue	
		AT01-2320-108	rear window glass, grey	

- Item not illustrated

Canopy Frame / Glass
Figure 4

56-10-00

Page 9

15.05.20



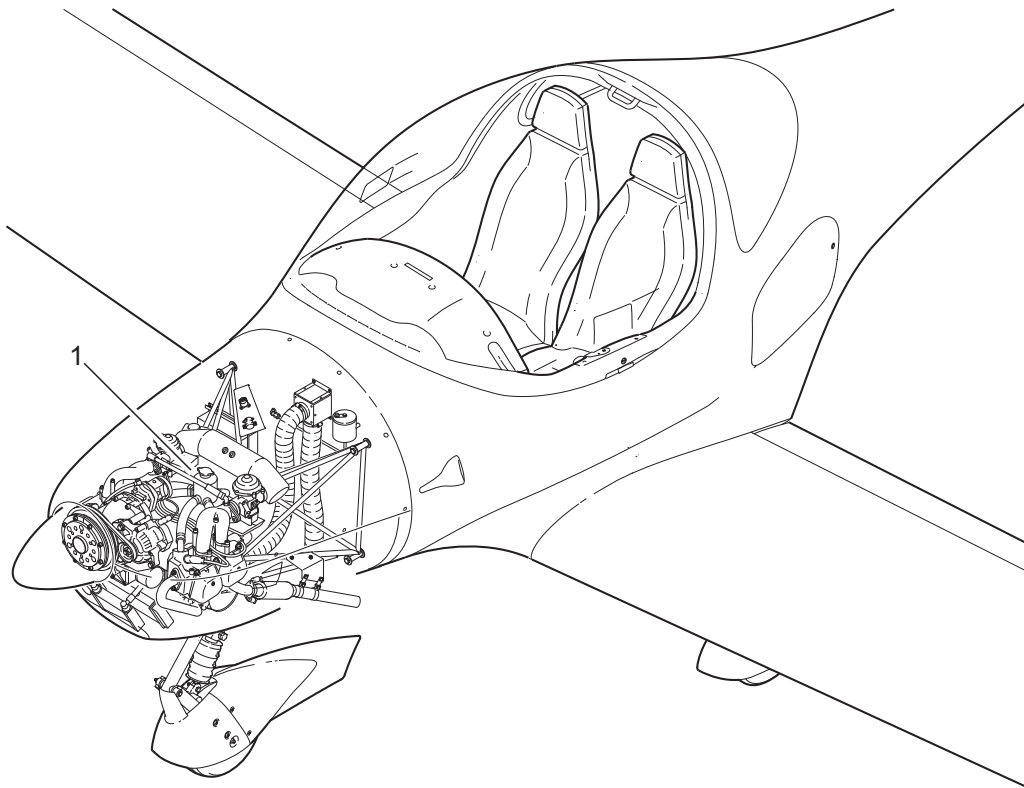
AQUILA AT01-100/200
ILLUSTRATED PARTS CATALOG

CHAPTER 75
ENGINE COOLING

TABLE OF CONTENTS

<u>Title</u> <u>Subject</u>	<u>Chapter</u> <u>Section</u> <u>Subject</u>	<u>Page</u>	<u>Effectivity</u>
ENGINE COOLING - GENERAL	75-00-00	1	
Engine Cooling - General	75-00-00	2	
Water Cooling	75-00-00	4A	Rotax 912S
Water Cooling	75-00-00	4B	Rotax 914F

ENGINE COOLING
GENERAL



Engine Cooling - General
Figure 1

Fig. Item	QTY	Part Number	Nomenclature	Effectivity
1			Engine Cooling - General	
	1		Water Cooling (refer to 75-00-00, figure 2A for details)	Rotax 912S
	-1		Water Cooling (refer to 75-00-00, figure 2B for details)	Rotax 914F

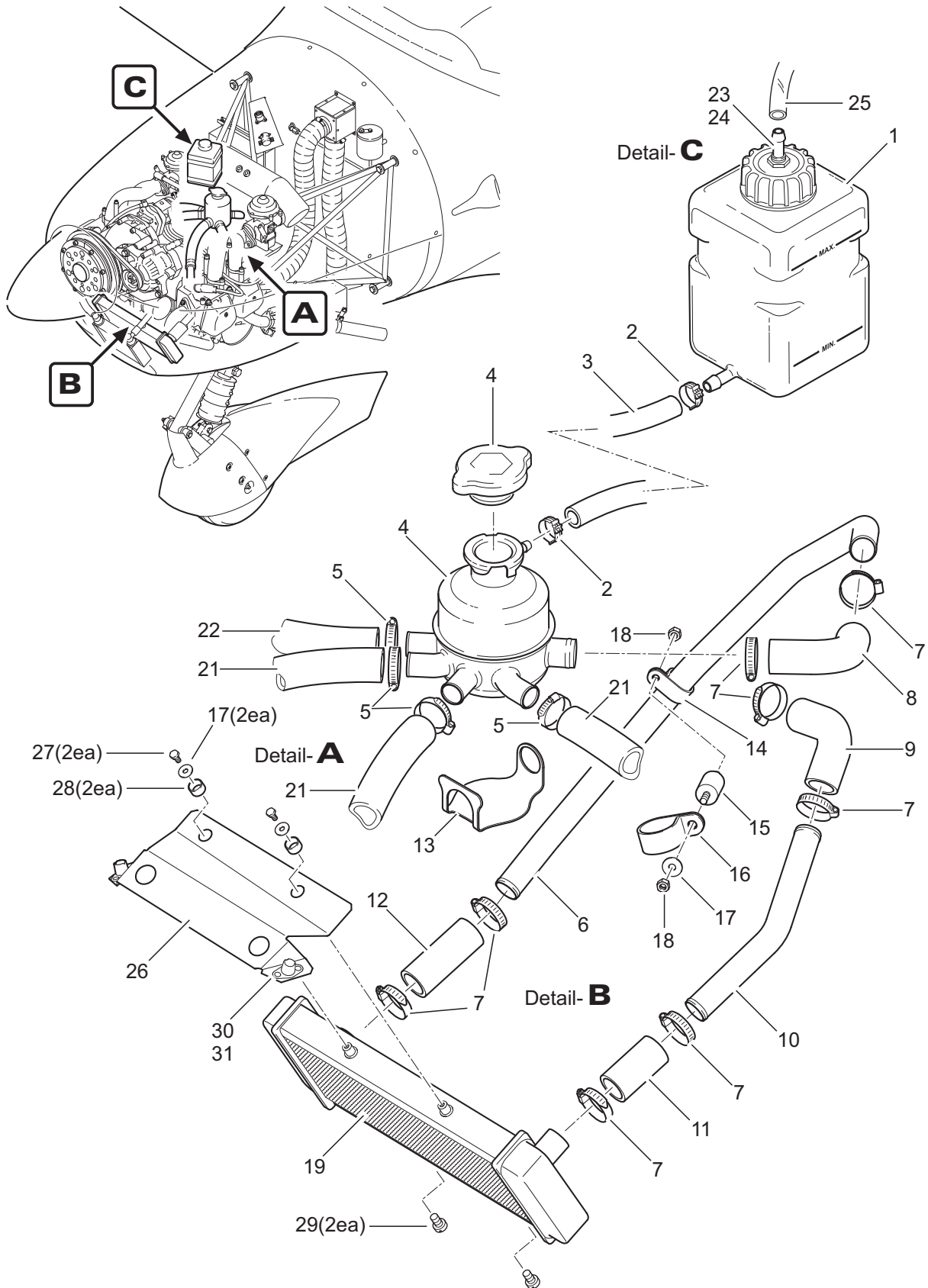
- Item not illustrated

Engine Cooling - General
Figure 1

75-00-00

Page 3

15.05.20



EFFECTIVITY

Aircraft equipped with Rotax 912S

Water Cooling
Figure 2A

75-00-00

Fig. Item	QTY	Part Number	Nomenclature	Effectivity
2A			Water Cooling	Rotax 912S
1	1	AT01-7000-150	overflow bottle with cap	
2	2	AT01-4520_COBRA_12,0/8W4	Cobra hose clamp	
3	1	AT01-4520-630	vacuum hose (1200 mm)	
4	1	AT01-7050-110	expansion tank with cap	
5	4	AT01-7080-409	spring clamp	
6	1	AT01-7050-129	cooling pipe expansion tank / cooler	
7	8	AT01-4520-458	hose clamp	
8	1	AT01-7050-106	hose elbow expansion tank (cut from AT01-1870-222)	
9	1	AT01-7050-105	hose elbow pump (cut from AT01-1870-222)	
10	1	AT01-7050-131	cooling pipe pump / cooler	
11	1	AT01-7050-111	cooling hose LH (cut from AT01-1870-222 or -223)	
12	1	AT01-7050-109	cooling hose RH (cut from AT01-1870-222 or -223)	
13	1	AT01-7080-455	Rubber Plate	
14	1	AT01-4520_RSGU1.23/15W1	pipe clamp	
15	1	AT01-7050-112	rubber buffer	
16	1	AT01-4520_RSGU1.30/15W1	pipe clamp	
17	3	1809021_6,4	washer (ISO 7093 6,4x18)	
18	2	1800985_M6	locknut (ISO 10511 M6)	
19	1	AT01-7050-303	water cooler	
- 20	2	AT01-7070-110	heat protection foil (150mm)	
21	3	AT01-7080-405	hose	
22	1	AT01-7080-232	hose (Rotax: 922192)	
23	1	AT01-4510-136	hose nozzle	
24	2	AT01-4520-228	nut	
25	1	AT01-4520-100	hose (725mm, secured with cable tie AT01-4530-927)	
26	1	AT01-7050-125	cooler mounting bracket	300 - 332 ¹⁾
		AT01-7050-149	cooler mounting bracket (new oil cooler)	333 - 999 ¹⁾
27	2	1800933_M6x12	bolt (ISO 4017 M6x12 8.8)	
28	2	AT01-7050-132	spacer sleeve	
29	2	1801207_M6x10_PA	bolt (ISO 1207 M6x10 PA)	
30	2	AT01-1840-582	Benloc receptacle	
31	4	1807337_3,2x6 ES/ES	rivet (ISO 15984 3,2x6 A2/A2)	
-32	1	AT01-7050-013	winterization kit ("Remove if OAT > 10°C")	
		AT01-7050-014	winterization kit ("Remove if OAT > 5°C" / optional for lower OAT)	

¹⁾ Refer to SI-AT01-018 (annex 18) and Rotax SI-912-024 for further information.

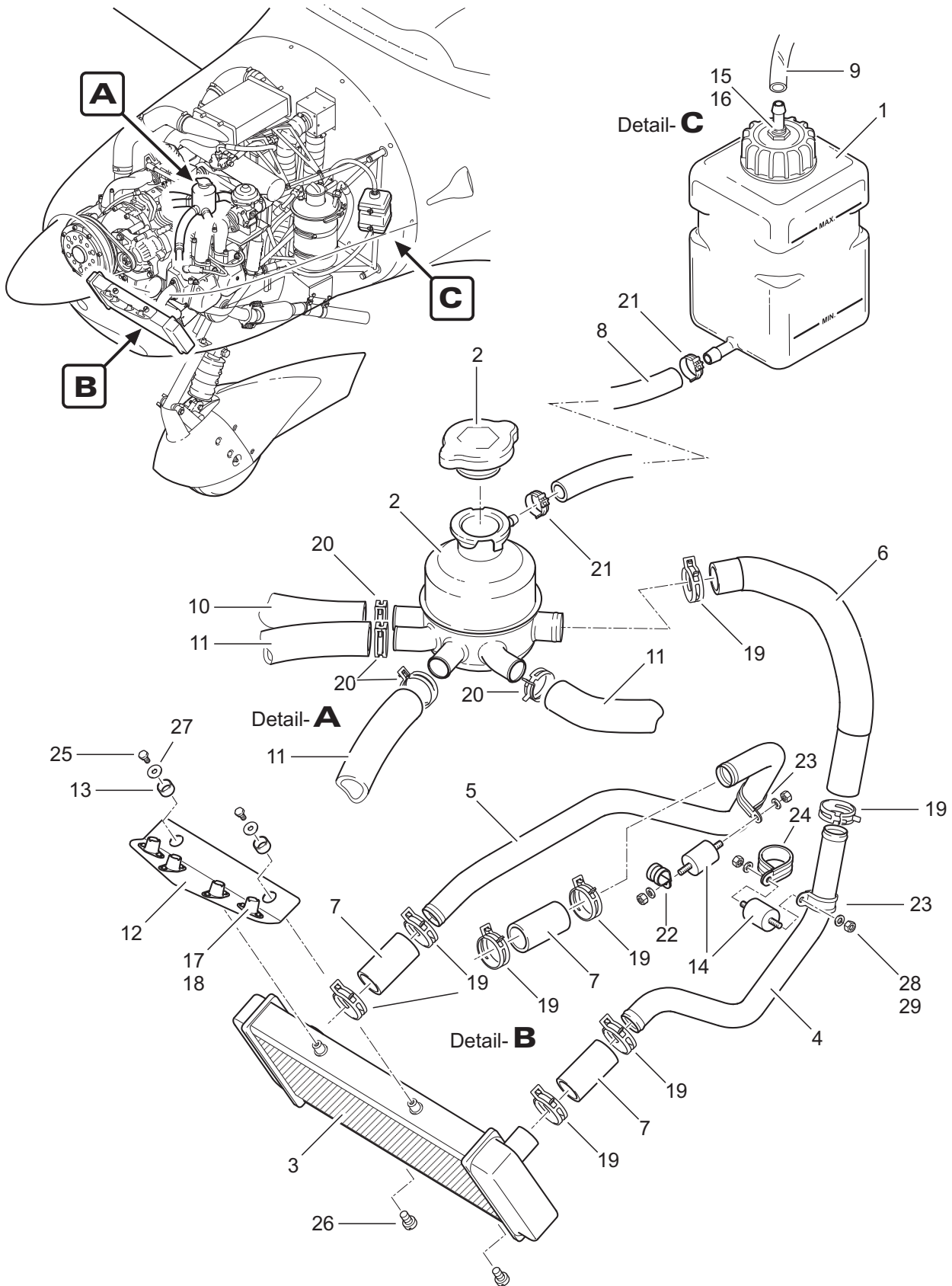
- Item not illustrated

Water Cooling
Figure 2A

75-00-00

Page 5A |

15.05.20



EFFECTIVITY

Aircraft equipped with Rotax 914F

Water Cooling
Figure 2B

75-00-00

Fig. Item	QTY	Part Number	Nomenclature	Effectivity
2B			Water Cooling	Rotax 914F
1	1	AT01-7000-150	overflow bottle with cap	
2	1	AT01-7050-110	expansion tank with cap	
3	1	AT01-7050-303	water cooler	
4	1	AT01-7050-136	cooling pipe expansion tank / cooler	
5	1	AT01-7050-137	cooling pipe cooler / pump	
6	1	AT01-7080-166	cooling hose expansion tank	
7	3	AT01-7050-154	cooling hose (cut from AT01-1870-222)	
8	1	AT01-4520-630	vacuum hose (1200 mm)	
9	1	AT01-4520-100	hose (725 mm, secured with cable tie AT01-4530-927)	
10	1	AT01-7080-232	hose (Rotax: 922192)	
11	3	AT01-7080-405	hose	
12	1	AT01-7050-152	cooler mounting bracket	
13	2	AT01-7050-132	spacer sleeve	
14	2	AT01-7050-112	rubber buffer	
15	1	AT01-4510-136	hose nozzle	
16	2	AT01-4520-228	nut	
17	4	AT01-1840-582	Benloc receptacle	
18	8	1807337_3,2x6 ES/ES	rivet (ISO 15984 3,2x6 A2/A2)	
19	8	AT01-4520-458	hose clamp	
20	4	AT01-7080-409	hose clamp	
21	2	AT01-4520_COBRA_12,0/8W4	Cobra hose clamp	
22	1	AT01-4520_RSGU1.16/15W1	pipe clamp	
23	2	AT01-4520_RSGU1.23/15W1	pipe clamp	
24	1	AT01-4520_RSGU1.30/15W1	pipe clamp	
25	2	1800933_M6x12	bolt (ISO 4017 M6x12 8.8)	
26	2	1801207_M6x10_PA	bolt (ISO 1207 M6x10 PA)	
27	2	1809021_6,4	washer (ISO 7093 6,4x18)	
28	4	1800125_6,4	washer (ISO 7089 6,4x12)	
29	4	1800985_M6	locknut (ISO 10511 M6)	
-30	AR	AT01-7070-110	heat protection foil (250 mm, secured with safety wire AT01-1840-505)	
-31	1	AT01-7050-015	winterization kit Rotax 914	

- Item not illustrated

Water Cooling
Figure 2B

75-00-00

Page 5B

15.05.20



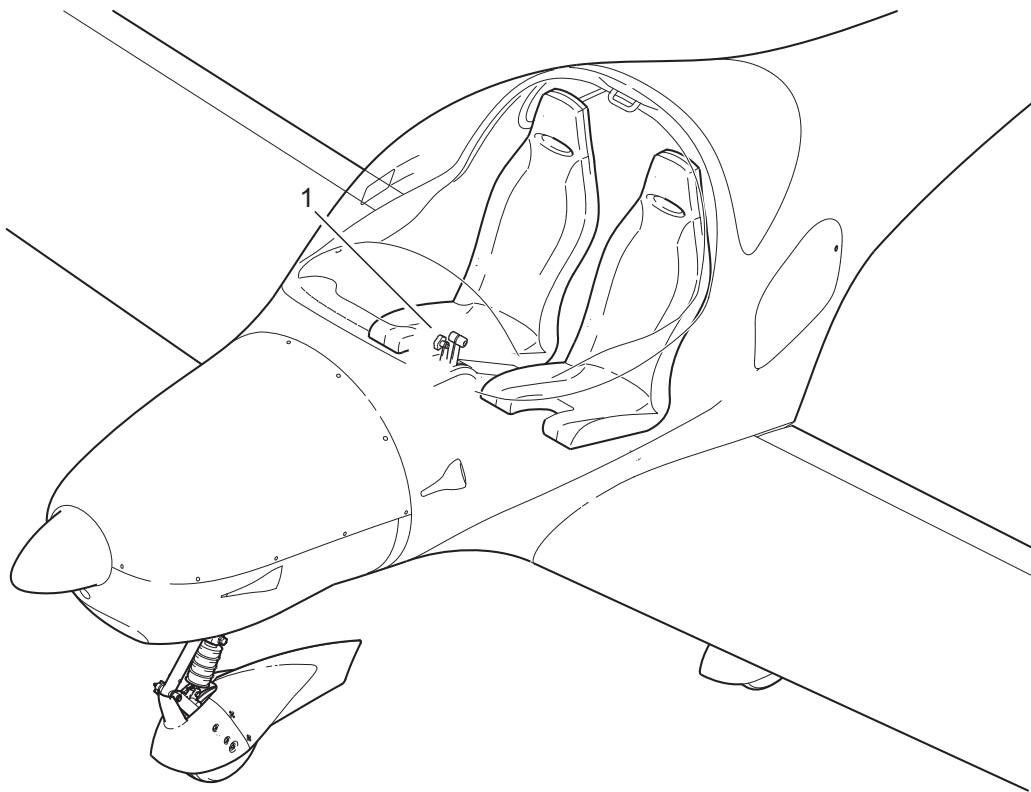
AQUILA AT01-100/200
ILLUSTRATED PARTS CATALOG

CHAPTER 76
ENGINE CONTROLS

TABLE OF CONTENTS

<u>Title</u> <u>Subject</u>	<u>Chapter</u> <u>Section</u> <u>Subject</u>	<u>Page</u>	<u>Effectivity</u>
ENGINE CONTROLS - GENERAL	76-00-00	1	
Engine Controls - General	76-00-00	2	
Throttle / Propeller Control Installation	76-00-00	4A	Rotax 912S
Throttle / Propeller Control Installation	76-00-00	4B	Rotax 914F
Choke Control Installation	76-00-00	6	
Carburetor Heat / Alternate Air Control Installation	76-00-00	8A	Rotax 912S
Carburetor Heat / Alternate Air Control Installation	76-00-00	8B	Rotax 914F
Turbo Charger Control Installation	76-00-00	10	Rotax 914F

ENGINE CONTROLS
GENERAL



Engine Controls - General
Figure 1

Fig. Item	QTY	Part Number	Nomenclature	Effectivity
1			Engine Controls - General	
	1		Throttle / Propeller Control Installation (refer to 76-00-00, figure 2A for details)	Rotax 912S
	1		Throttle / Propeller Control Installation (refer to 76-00-00, figure 2B for details)	Rotax 914F
	-2		Choke Control Installation (refer to 76-00-00, figure 3 for details)	
	-3		Carburetor Heat / Alternate Air Control Installation (refer to 76-00-00, figure 4A for details)	Rotax 912S
	-3		Carburetor Heat / Alternate Air Control Installation (refer to 76-00-00, figure 4B for details)	Rotax 914F
	-4		Turbo Charger Control Installation (refer to 76-00-00, figure 5 for details)	Rotax 914F

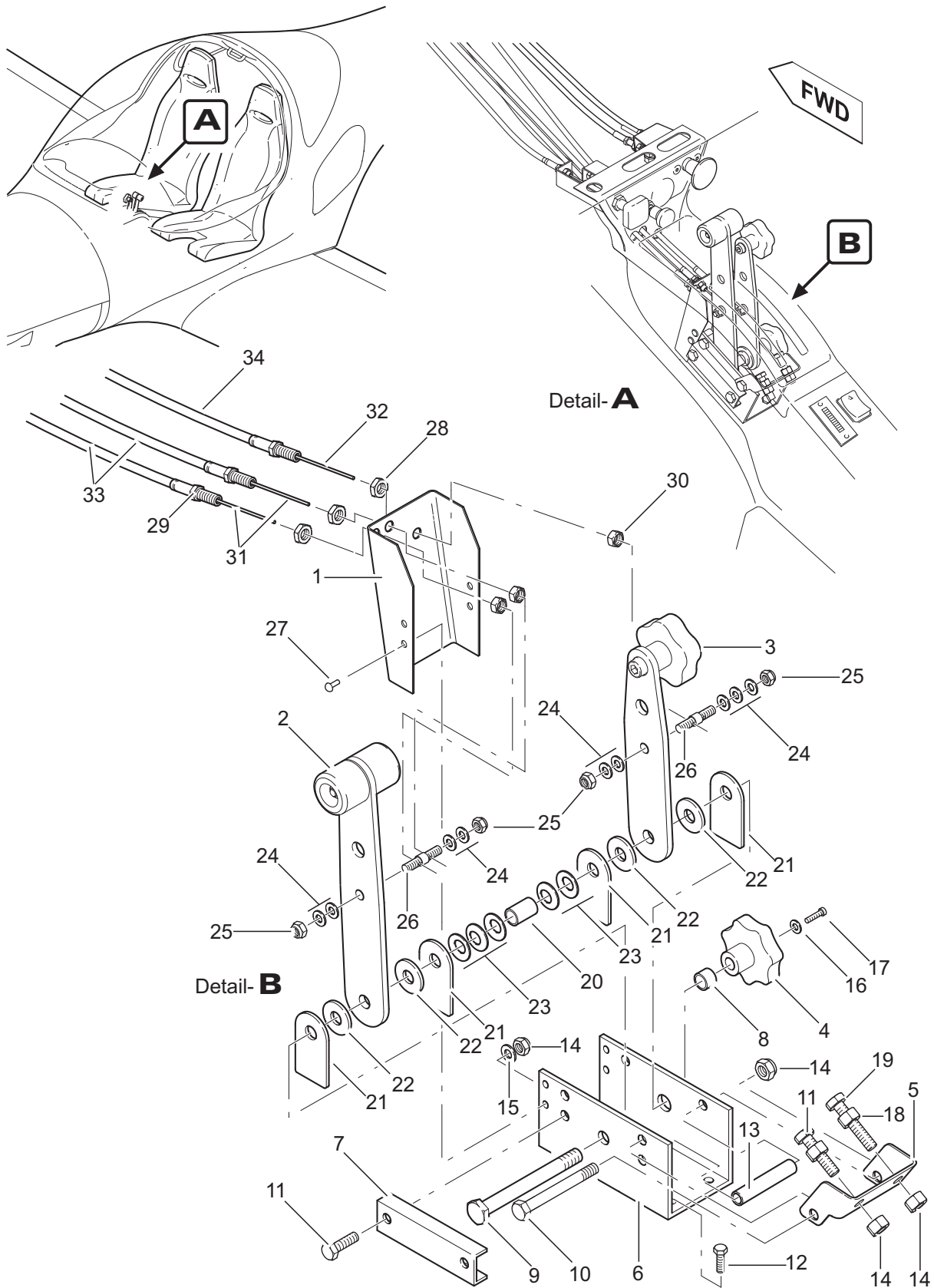
- Item not illustrated

Engine Controls - General
Figure 1

76-00-00

Page 3

15.05.20



EFFECTIVITY
 Aircraft equipped
 with Rotax 912S

Throttle / Propeller Control Installation
 Figure 2A

76-00-00

Fig. Item	QTY	Part Number	Nomenclature	Effectivity
2A			Throttle / Propeller Control Installation	Rotax 912S
1	1	AT01-7020-124	guide plate	
2	1	AT01-7020-004	throttle control lever	
3	1	AT01-7020-005	propeller pitch control lever	
4	1	AT01-7020-102	knob	
5	1	AT01-7020-125	stopper plate	
6	1	AT01-7020-120	mounting bracket (replaced by AT01-7020-146)	
		AT01-7020-146	mounting bracket	
7	1	AT01-7020-121	axle latching (use only with AT01-7020-120)	
		AT01-7020-147	axle latching (use only with AT01-7020-146)	
8	1	AT01-7020-122	bushing	
9	1	AT01-7020-117	axle	
10	2	1800931_M6x60	bolt (ISO 4014 M6x60 8.8)	
11	3	1800933_M6x25	bolt (ISO 4017 M6x25 8.8)	
12	4	1800933_M5x16	bolt (ISO 4017 M5x16 8.8)	
13	2	AT01-7020-123	bushing	
14	6	1800985_M6	locknut (ISO 10511 M6)	
15	3	1800125_6,4	washer (ISO 7089 6,4x12)	
16	1	1800125_4,3	washer (ISO 7089 4,3x8)	
17	1	1807380_4x8	bolt (ISO 7380 M4x8)	
18	2	1800934_M6	nut (DIN 934 M6)	
19	1	1800933_M6x40	bolt (ISO 4017 M6x40 8.8)	
20	1	AT01-7020-119	bushing	
21	4	AT01-7020-145	bearing plate	
22	4	AT01-7020-112	friction washer	
23	5	1802093_8,2	disc spring (DIN 2093 8,2x16x0,9)	
24	9	1800125_5,3	washer (ISO 7089 5,3x10)	
25	4	1800985_M5	locknut (ISO 10511 M5)	
26	2	AT01-7020-107	cable clamping screw	
27	4	1807337_4x8Al/St	rivet (ISO 15984 4x8 Al/St)	
28	3	1800439_M6	nut (ISO 4035 M6)	
29	3	AT01-4510-135	adjusting screw	
30	3	AT01-7020-132	nut	
31	2	AT01-7020-108	Bowden cable (1465 mm)	
32	1	AT01-7020-108	Bowden cable (1870 mm)	
33	2	AT01-7020-130	Bowden cable housing (1235 mm)	
34	1	AT01-7020-130	Bowden cable housing (1530 mm)	

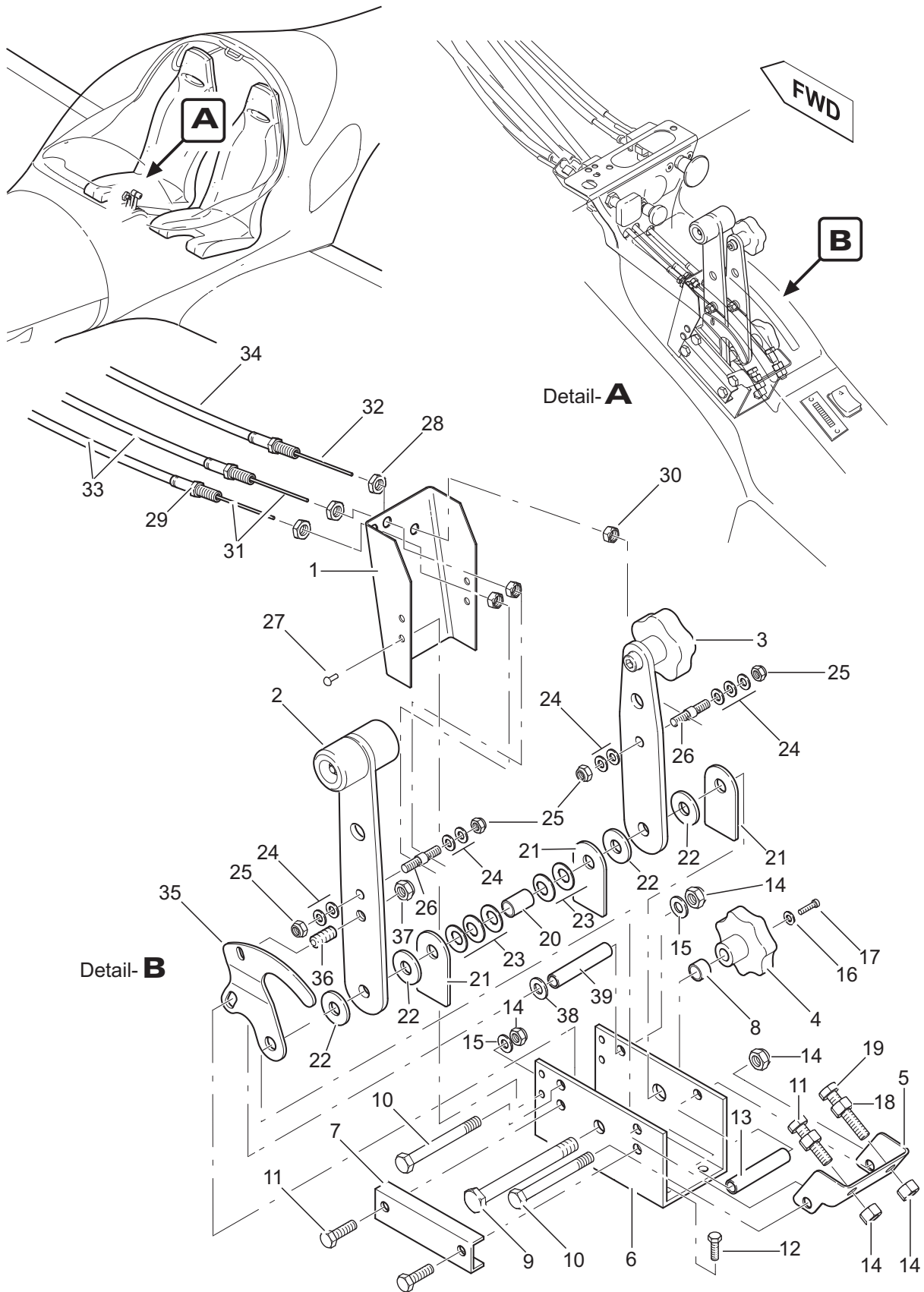
- Item not illustrated

Throttle / Propeller Control Installation
Figure 2A

76-00-00

Page 5A |

15.05.20



EFFECTIVITY
Aircraft equipped
with Rotax 914F

Throttle / Propeller Control Installation
Figure 2B

76-00-00

Fig. Item	QTY	Part Number	Nomenclature	Effectivity
2B			Throttle / Propeller Control Installation	Rotax 914F
1	1	AT01-7020-124	guide plate	
2	1	AT01-7020-004	throttle control lever	
3	1	AT01-7020-005	propeller pitch control lever	
4	1	AT01-7020-102	knob	
5	1	AT01-7020-125	stopper plate	
6	1	AT01-7020-146	mounting bracket	
7	1	AT01-7020-147	axle latching	
8	1	AT01-7020-122	bushing	
9	1	AT01-7020-117	axle	
10	2	1800931_M6x60	bolt (ISO 4014 M6x60 8.8)	
11	3	1800933_M6x25	bolt (ISO 4017 M6x25 8.8)	
12	4	1800933_M5x16	bolt (ISO 4017 M5x16 8.8)	
13	1	AT01-7020-123	bushing	
14	6	1800985_M6	locknut (ISO 10511 M6)	
15	3	1800125_6,4	washer (ISO 7089 6,4x12)	
16	1	1800125_4,3	washer (ISO 7089 4,3x8)	
17	1	1807380_4x8	bolt (ISO 7380 M4x8)	
18	2	1800934_M6	nut (DIN 934 M6)	
19	1	1800933_M6x40	bolt (ISO 4017 M6x40 8.8)	
20	1	AT01-7020-119	bushing	
21	3	AT01-7020-145	bearing plate	
22	4	AT01-7020-112	friction washer	
23	5	1802093_8,2	disc spring (DIN 2093 8,2x16x0,9)	
24	9	1800125_5,3	washer (ISO 7089 5,3x10)	
25	4	1800985_M5	locknut (ISO 10511 M5)	
26	2	AT01-7020-107	cable clamping screw	
27	4	1807337_4x8Al/St	rivet (ISO 15984 4x8 Al/St)	
28	3	1800439_M6	nut (ISO 4035 M6)	
29	3	AT01-4510-135	adjusting screw	
30	3	AT01-7020-132	nut	
31	2	AT01-7020-108	Bowden cable (1440 mm)	
32	1	AT01-7020-108	Bowden cable (1785 mm)	
33	2	AT01-7020-130	Bowden cable housing (1170 mm)	
34	1	AT01-7020-130	Bowden cable housing (1450 mm)	
35	1	AT01-7020-149	detent plate	
36	1	AT01-1860-112	spring plunger M8	
37	1	1800985_M8	locknut (ISO 10511 M8)	
38	1	1800988_6/1	adjusting washer (DIN 988 6x12x1)	
39	1	AT01-7020-148	bushing (short)	

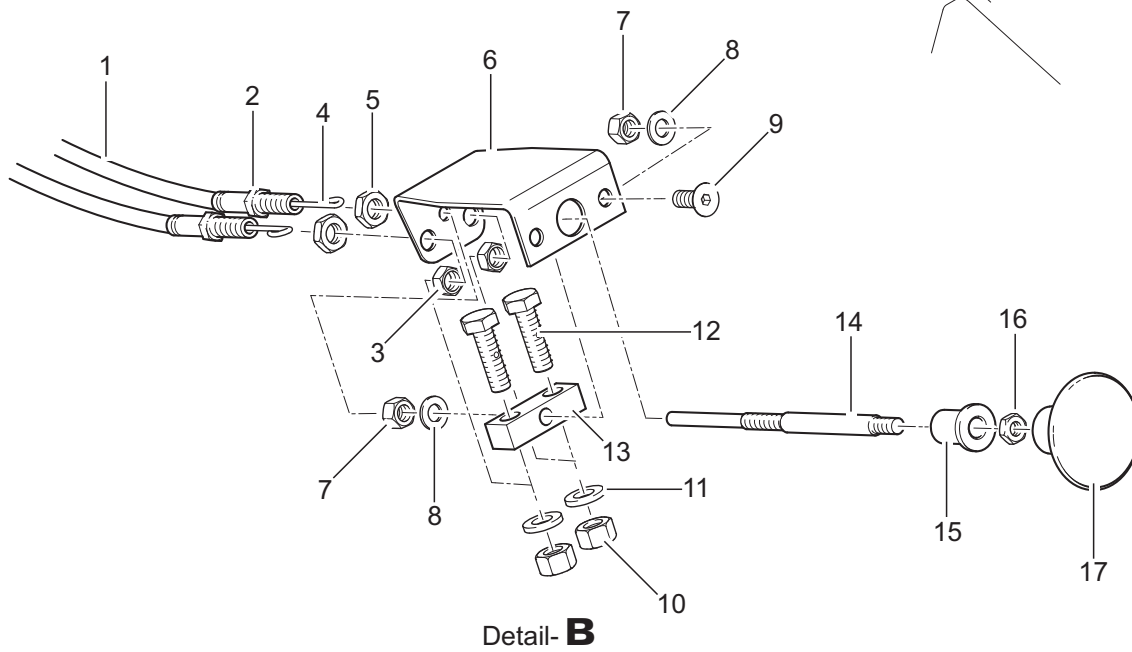
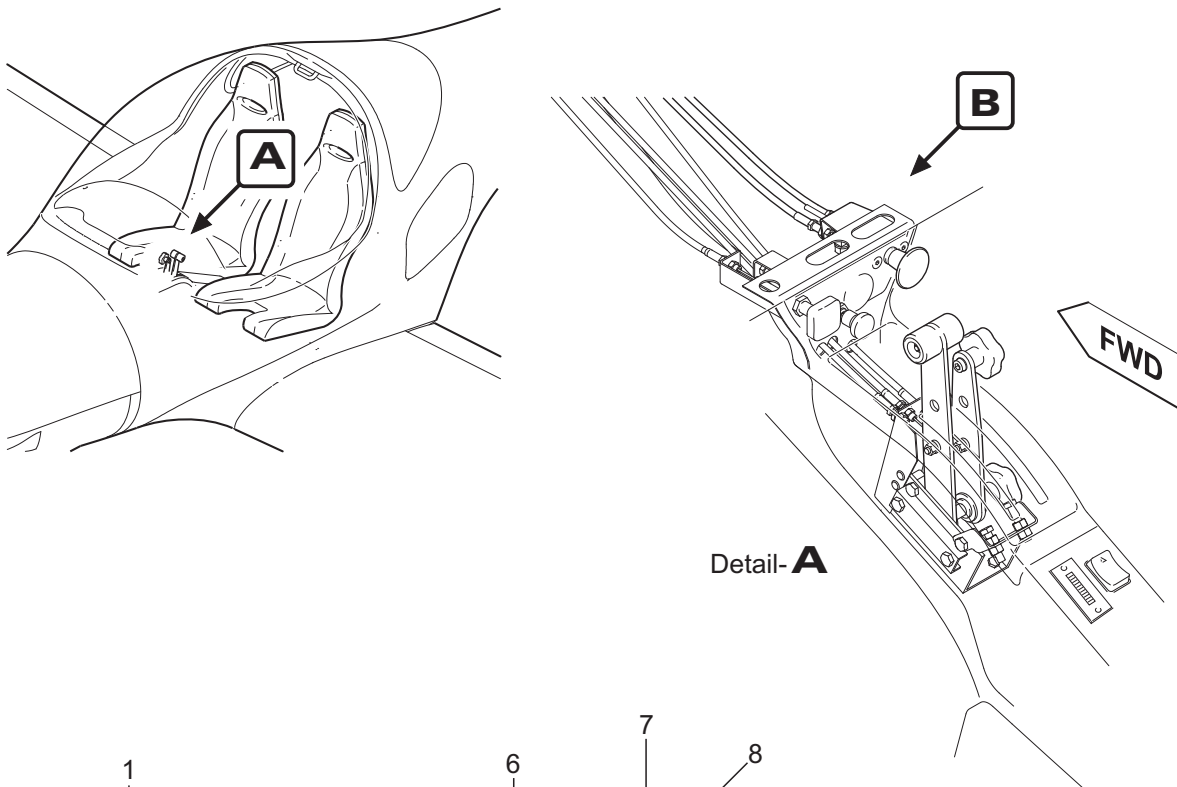
- Item not illustrated

Throttle / Propeller Control Installation
Figure 2B

76-00-00

Page 5B

15.05.20



Choke Control Installation
 Figure 3

Fig. Item	QTY	Part Number	Nomenclature	Effectivity
3			Choke Control Installation	
1	2	AT01-7020-130	Bowden cable housing (1030 mm)	Rotax 912S
		AT01-7020-130	Bowden cable housing (975 mm)	Rotax 914F
2	2	AT01-4510-135	adjusting screw	
3	2	AT01-7020-132	nut	
4	2	AT01-7020-016	control wire (1205 mm)	Rotax 912S
		AT01-7020-017	control wire (1150 mm)	Rotax 914F
5	2	1800439_M6	nut (ISO 4035 M6)	
6	1	AT01-7020-118	mounting bracket	
7	3	1800985_M5	locknut (ISO 10511 M5)	
8	3	1800125_5,3	washer (ISO 7089 5,3x10)	
9	2	1807991_M5x10	bolt (ISO 10642 M5x10 8.8)	
10	2	1800985_M6	locknut (ISO 10511 M6)	
11	2	1800125_6,4	washer (ISO 7089 6,4x10)	
12	2	AT01-7020-110	clamping screw	
13	1	AT01-7020-111	clamp	
14	1	AT01-7020-109	pull rod	
15	1	1850028	bearing bush	
16	1	1800439_M5	nut (ISO 4035 M5)	
17	1	AT01-7020-128	control knob	

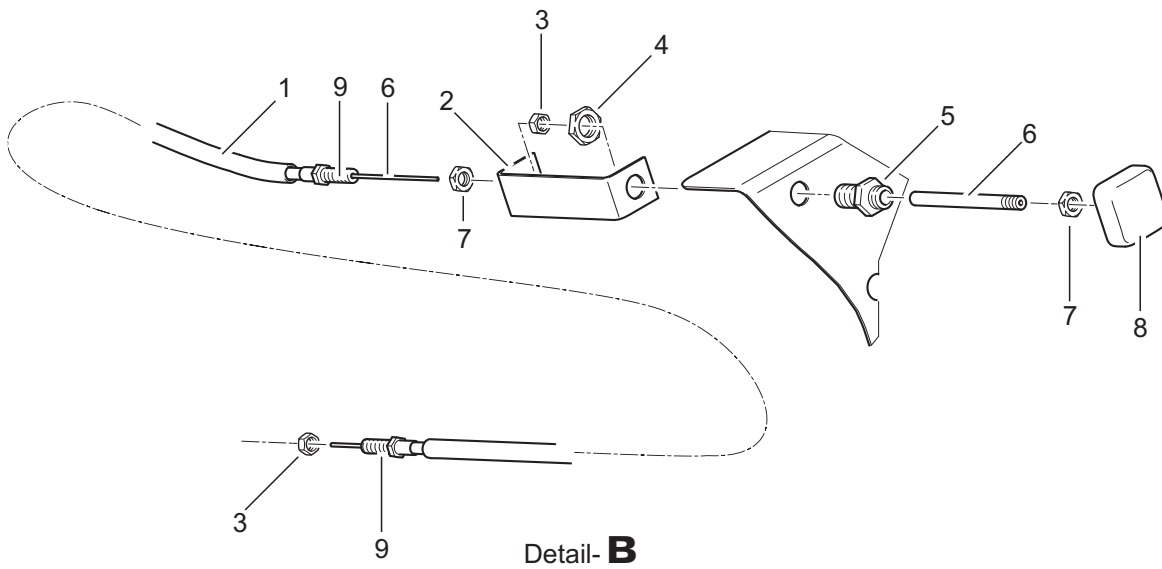
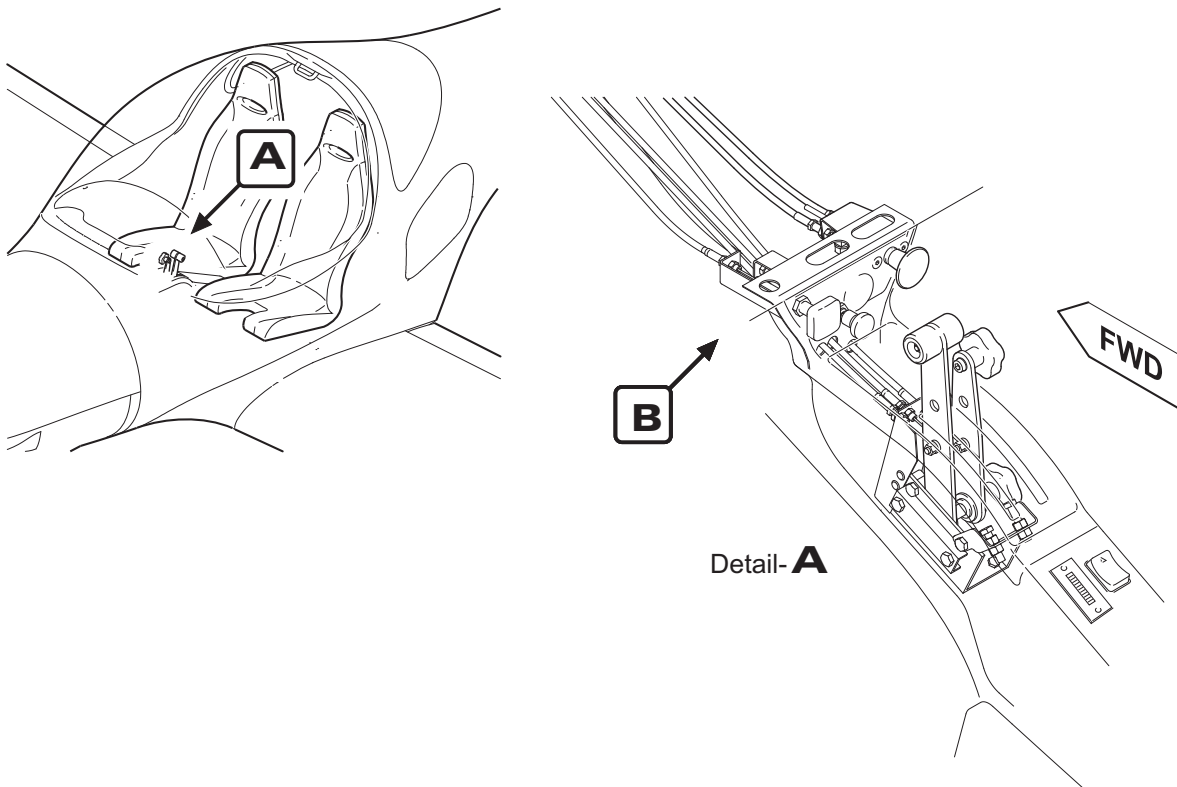
- Item not illustrated

Choke Control Installation
Figure 3

76-00-00

Page 7

15.05.20



EFFECTIVITY
Aircraft equipped
with Rotax 912S

Carburetor Heat / Alternate Air Control Installation
Figure 4A

76-00-00

Page 8A

15.05.20

Fig. Item	QTY	Part Number	Nomenclature	Effectivity
4A			Carburetor Heat / Alternate Air Control Installation	Rotax 912S
	1	AT01-7020-130	Bowden cable housing (1080 mm)	
	2	AT01-7020-114	mounting bracket	
	3	AT01-7020-132	nut	
	4	AT01-4520-228	nut	
	5	AT01-4510-149	bulkhead fitting	
	6	AT01-7020-018	control wire assembly (1320 mm / incl. pull rod)	
	7	1800439_M6	nut (ISO 4035 M6)	
	8	AT01-7020-106	control knob	
	9	AT01-4510-135	adjusting screw	
	-10	AT01-4520-424	PVC hose (500 mm in front of / 400 mm behind firewall)	

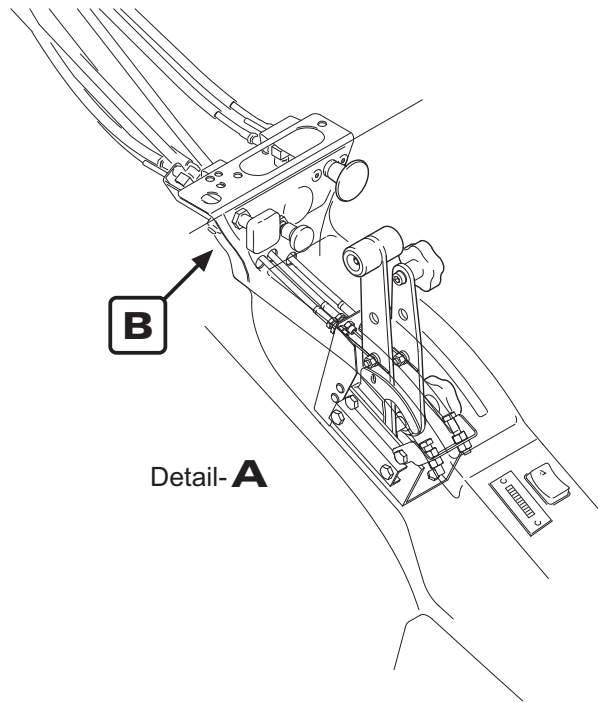
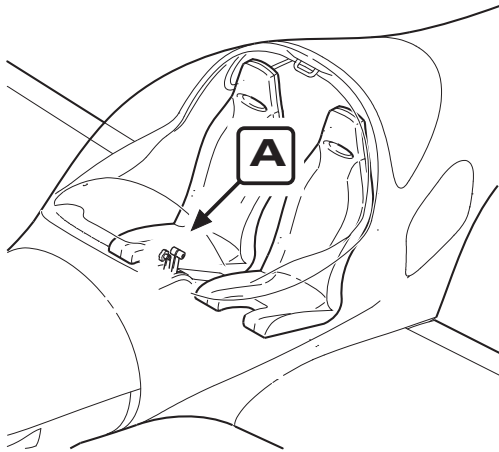
- Item not illustrated

Carburetor Heat / Alternate Air Control Installation
Figure 4A

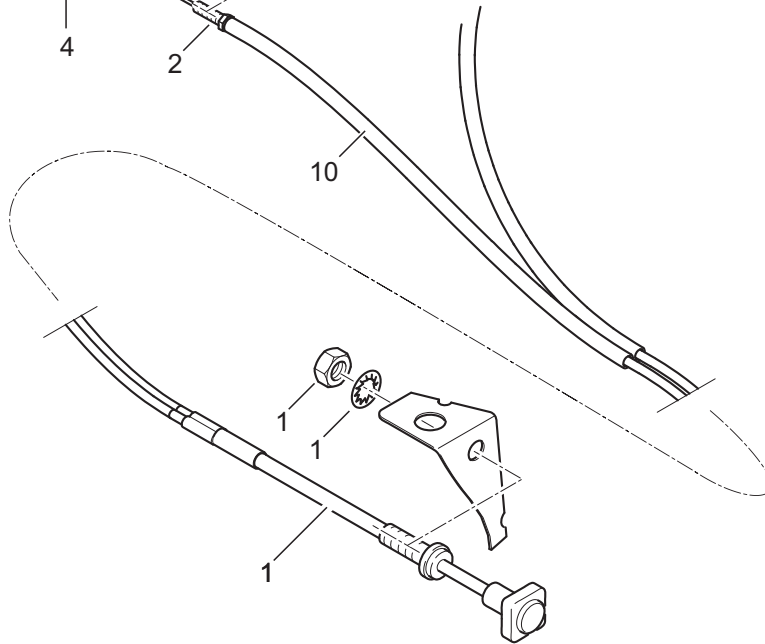
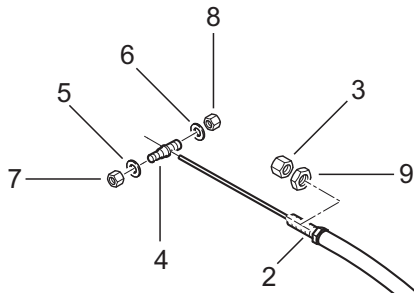
76-00-00

Page 9A

15.05.20



Detail- **A**



Detail- **B**

EFFECTIVITY
Aircraft equipped
with Rotax 914F

Carburetor Heat / Alternate Air Control Installation
Figure 4B

76-00-00

Page 8B

15.05.20

Fig. Item	QTY	Part Number	Nomenclature	Effectivity
4B			Carburetor Heat / Alternate Air Control Installation	Rotax 914F
	1	AT01-7020-020	dual push-to-unlock control assembly (incl. lockwasher and nut)	
	2	AT01-4510-135	adjusting screw	
	3	AT01-7020-132	nut	
	4	AT01-2600-107	cable clamping screw	
	5	1800125_4,3	washer (ISO 7089 4,3x9)	
	6	1800125_5,3	washer (ISO 7089 5,3x10)	
	7	1800985_M4	locknut (ISO 10511 M4)	
	8	1800985_M5	locknut (ISO 10511 M5)	
	9	1800439_M6	nut (ISO 4035 M6)	
	10	AR AT01-4520-424	PVC hose	

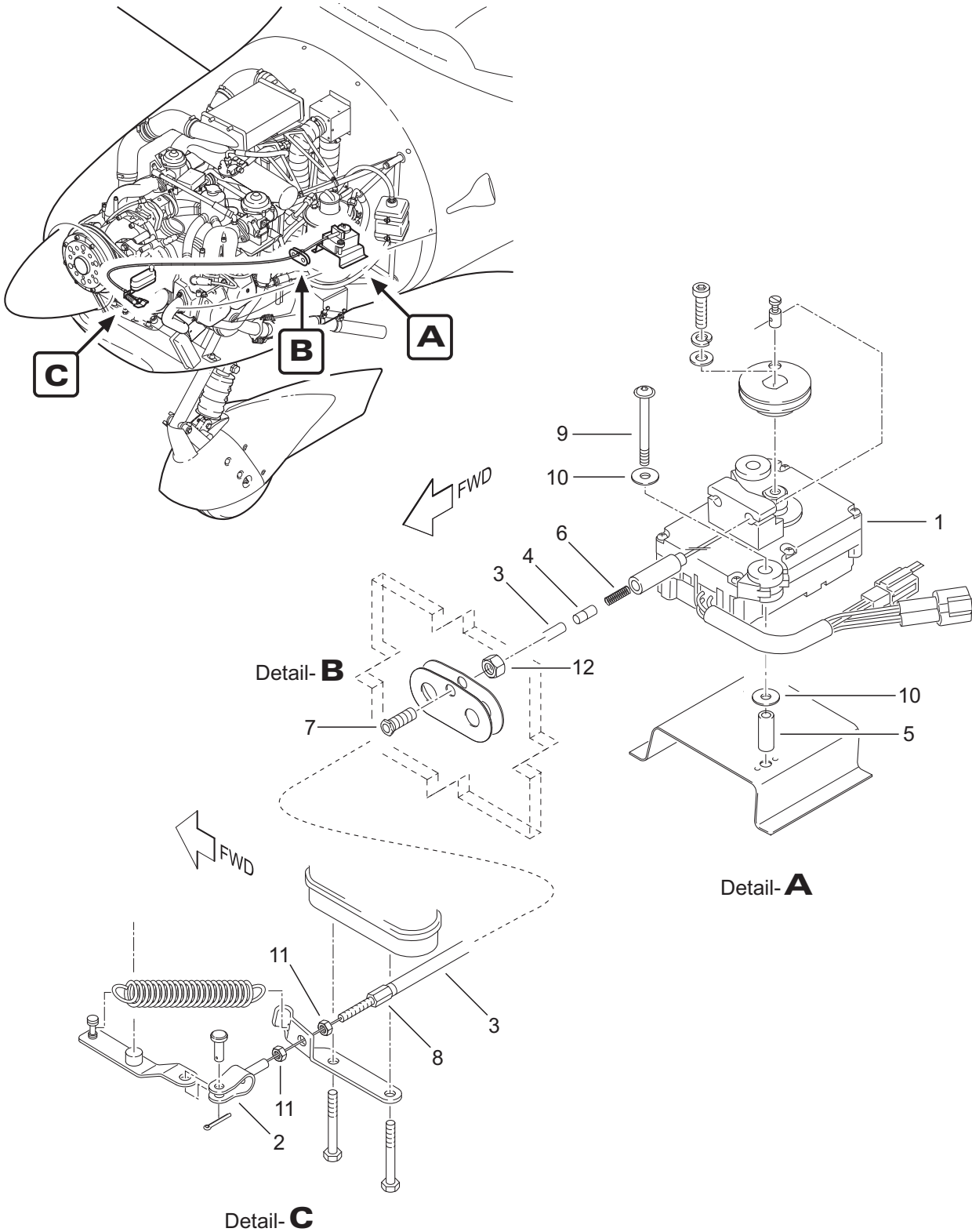
- Item not illustrated

Carburetor Heat / Alternate Air Control Installation
Figure 4B

76-00-00

Page 9B

15.05.20



EFFECTIVITY
Aircraft equipped
with Rotax 914F

Turbo Charger Control Installation
Figure 5

76-00-00

Fig. Item	QTY	Part Number	Nomenclature	Effectivity
5			Turbo Charger Control Installation	Rotax 914F
1	1	AT01-7080-348	wastegate motor	
2	1	AT01-7080-167	wastegate control Bowden cable wire assembly	
3	1	AT01-7020-130	Bowden cable housing (800 mm)	
4	1	AT01-7000-126	bushing	
5	2	AT01-7000-127	spacer sleeve	
6	1	Ro 239015	compression spring	
7	1	AT01-7000-138	firewall bushing	
8	1	AT01-4510-135	adjusting screw	
9	2	1807380_6x55 ULF	bolt (ISO 7380 M6x55 ULF)	
10	4	1809021_6,4	washer (ISO 7093 6,4x18)	
11	2	1800439_M6	nut (ISO 4035 M6)	
12	1	1800985_M8	locknut (ISO 10511 M8)	

- Item not illustrated

Turbo Charger Control Installation
Figure 5

76-00-00

Page 11

15.05.20



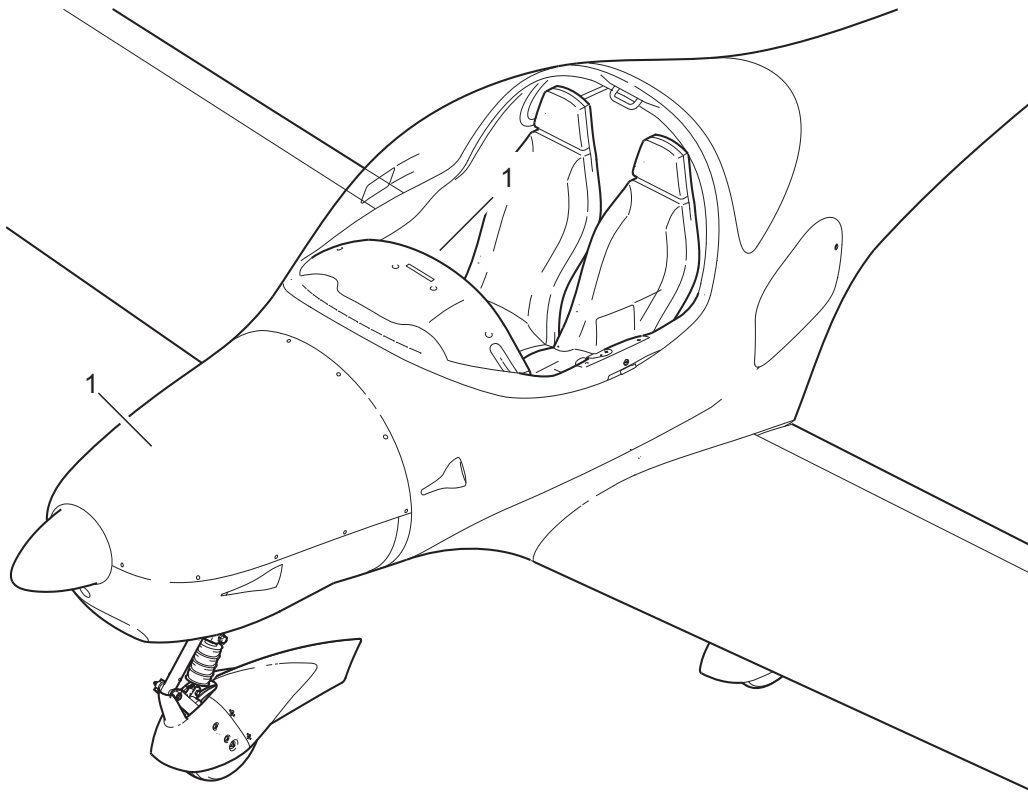
AQUILA AT01-100/200
ILLUSTRATED PARTS CATALOG

CHAPTER 77
ENGINE INDICATING

TABLE OF CONTENTS

<u>Title</u> <u>Subject</u>	<u>Chapter</u> <u>Section</u> <u>Subject</u>	<u>Page</u>	<u>Effectivity</u>
ENGINE INDICATING - GENERAL	77-00-00	1	
Engine Indicating - General	77-00-00	2	
Engine Indicating - Instruments / Probes	77-00-00	4A	analog instr.
Engine Indicating - Instruments / Probes	77-00-00	4B	MVP-50

ENGINE INDICATING
GENERAL



Engine Indicating - General
Figure 1

Fig. Item	QTY	Part Number	Nomenclature	Effectivity
1			Engine Indicating - General	
	1		Engine Indicating - Instruments / Probes (refer to 77-00-00, figure 2A for details)	analog instr.
	1		Engine Indicating - Instruments / Probes (refer to 77-00-00, figure 2B for details)	MVP-50

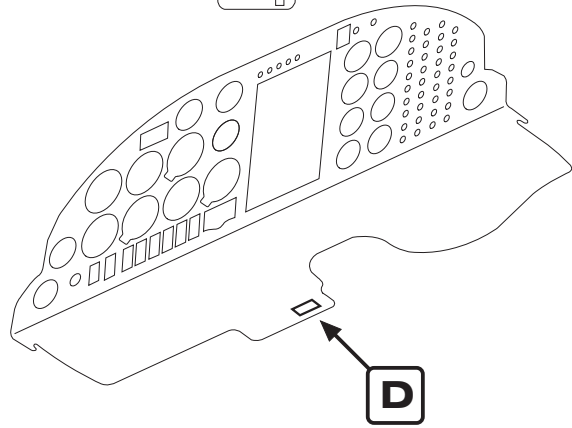
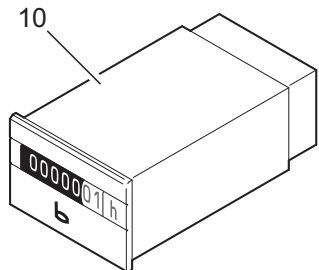
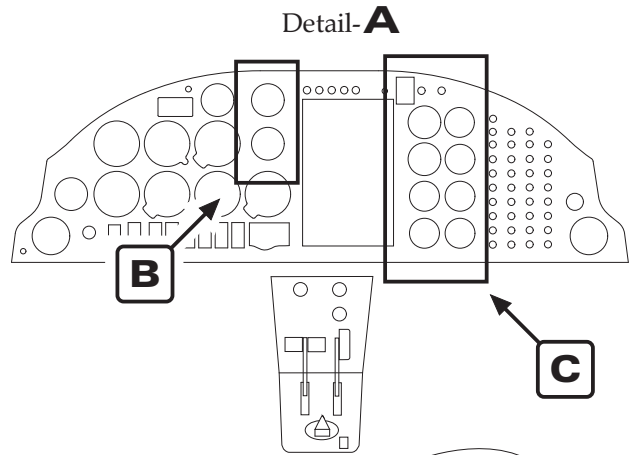
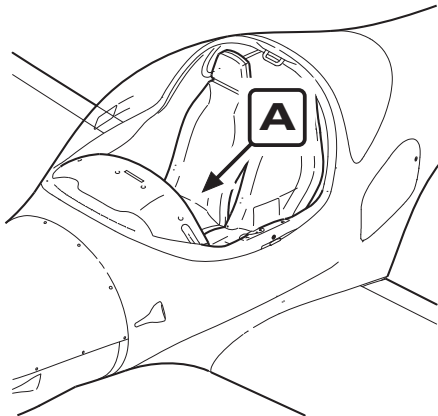
- Item not illustrated

Engine Indicating - General
Figure 1

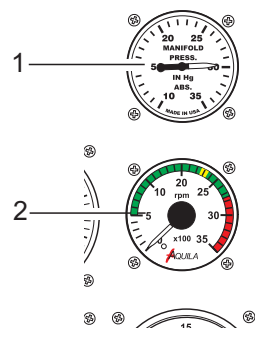
77-00-00

Page 3

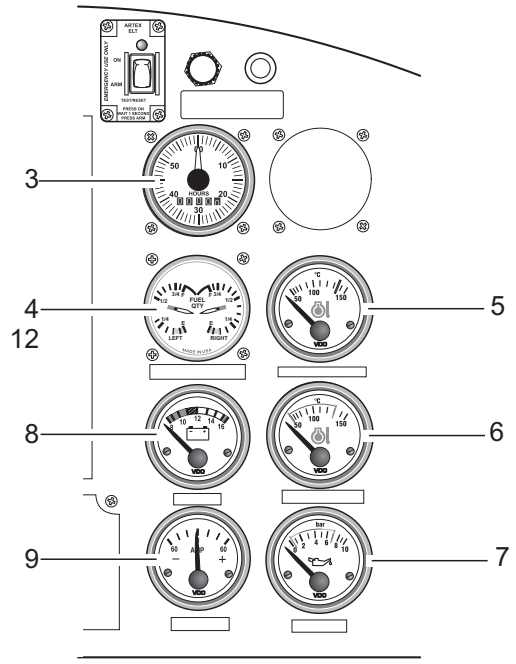
15.05.20



Detail-**D**



Detail-**B**



Detail-**C**

EFFECTIVITY
Aircraft equipped with analog engine instruments

Engine Indicating - Instruments / Probes
Figure 2A

77-00-00

Fig. Item	QTY	Part Number	Nomenclature	Effectivity
2A			Engine Indicating - Instruments / Probes	analog instr.
1	1	AT01-2840-129	manifold pressure gauge	
2	1	AT01-7030-104	propeller tachometer	
3	1	AT01-2840-186	operating hours meter (Winter / Ø 57mm / optional)	
4	1	AT01-2840-206	dual fuel level gauge (old wiring ¹⁾)	300 - 309
		AT01-2840-220	dual fuel level gauge (new wiring ¹⁾)	310 - 326
		AT01-2840-226	dual fuel level gauge (new wiring ¹⁾)	327 - 999
5	1	AT01-2840-218	cylinder head temperature gauge (129°C CHT limit)	129°C limit ³⁾
		AT01-2840-225	cylinder head temperature gauge (120°C CHT limit)	120°C limit ³⁾
6	1	AT01-2840-123	oil temperature gauge	
7	1	AT01-2840-165	oil pressure gauge	
8	1	AT01-2840-126	voltmeter	
9	1	AT01-2840-121	ammeter	
10	1	AT01-2840-189	operating hours meter (Bauser)	
-11	1	AT01-2840-183	operating hours meter (FliSys / Ø 57mm / optional)	
-12	1	AT01-8040-002	fuel gauge calibration module (old wiring ¹⁾ / optional ²⁾)	300 - 309
		AT01-8040-001	fuel gauge calibration module (new wiring ¹⁾ / optional ²⁾)	310 - 999
-13	1	AT01-7030-205	carburetor temperature indicator (optional)	
-14	1	AT01-7030-204	carburetor temperature probe (optional)	

¹⁾Fuel gauge 2840-206 is compatible with calibration module 8040-002 only (old wiring).

Fuel gauges 2840-220 and 2840-226 are compatible with calibration module 8040-001 only (new wiring).

²⁾Fuel gauge calibration modules require specific levers on the fuel level sensors:

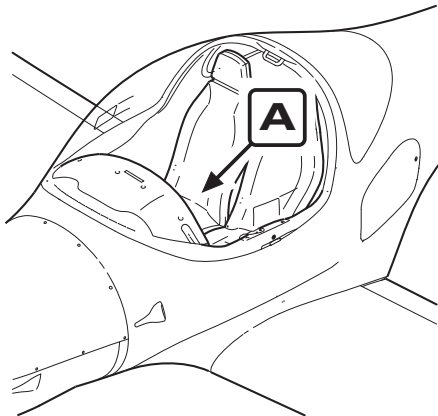
Up to S/N AT01-326: If the gauge is operated without a calibration module, the lever AT01-8030-178 must be used on the fuel level sensor. If a calibration module is used, the lever AT01-8030-186 must be used.

From S/N AT01-327: Fuel gauge operation is possible with calibration module and lever AT01-8030-187 only.

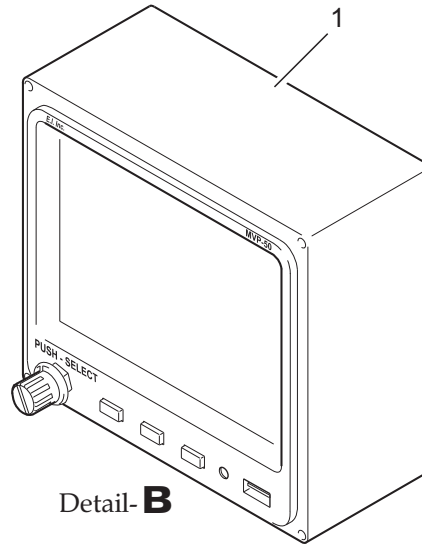
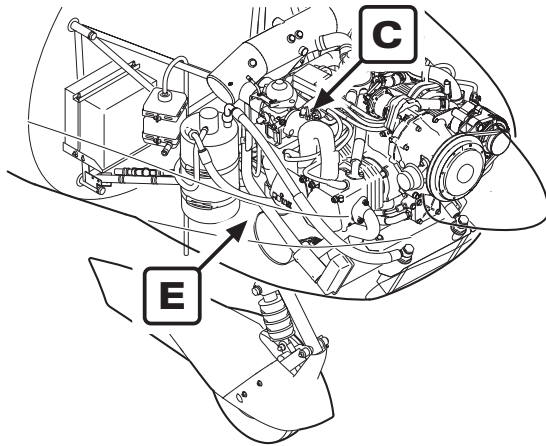
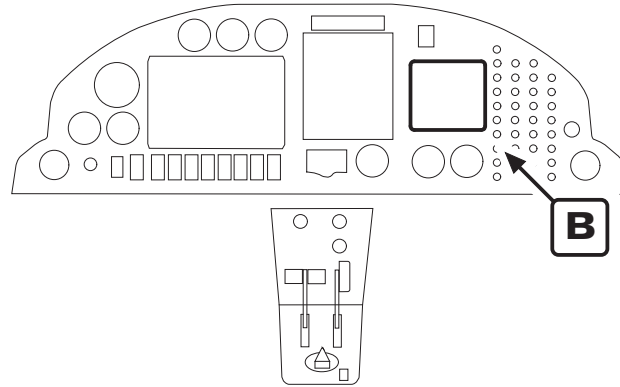
Refer to 28-00-00 for further information.

³⁾Cylinder head temperature limit depends on the type of Rotax cylinder heads installed.

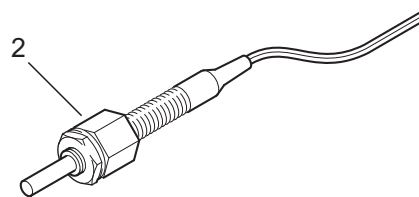
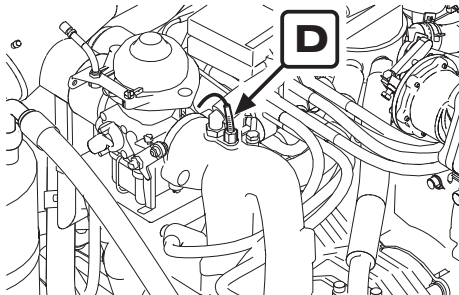
Refer to SB-AT01-029 for further information.



Detail-**A**

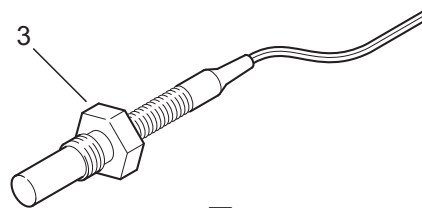
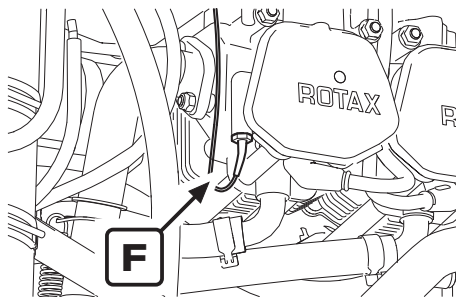


Detail-**B**



Detail-**D**

Detail-**C**



Detail-**F**

Detail-**E**

EFFECTIVITY

Aircraft equipped with MVP-50 engine monitoring system

Engine Indicating - Instruments / Probes
Figure 2B (1)

77-00-00

Page 4B

15.05.20

Fig. Item	QTY	Part Number	Nomenclature	Effectivity
2B(1)			Engine Indicating - Instruments / Probes	MVP-50
1	1	AT01-2840-111	engine monitoring system display	Rotax 912S
		AT01-2840-113	engine monitoring system display	Rotax 914F
2	1	AT01-2840-227	carburetor temperature probe (replaces AT01-7030-204)	
3	1	AT01-2840-217	cylinder head temperature probe P-103	
-4	AR	AT01-4530-252	temperature sensor connector plug	
-5	AR	AT01-4530-253	temperature sensor connector socket	

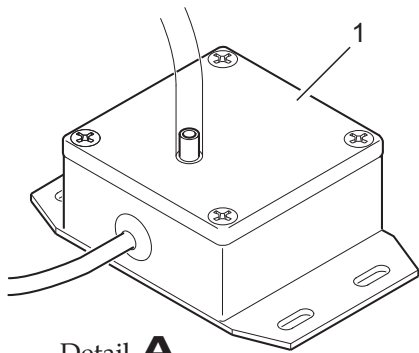
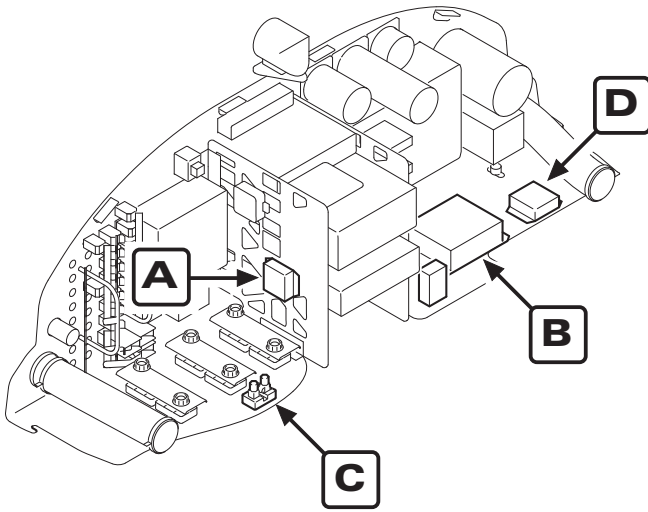
- Item not illustrated

Engine Indicating - Instruments / Probes
Figure 2B (1)

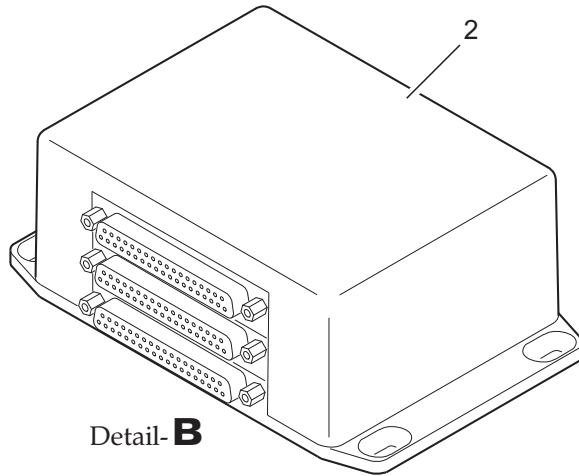
77-00-00

Page 5B

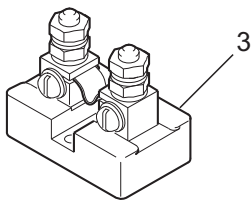
15.05.20



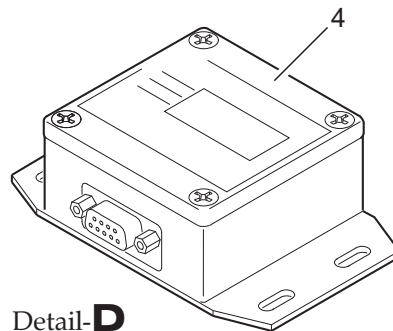
Detail-**A**



Detail-**B**



Detail-**C**



Detail-**D**

EFFECTIVITY

Aircraft equipped
 with MVP-50 engine
 monitoring system

Engine Indicating - Instruments / Probes
 Figure 2B (2)

77-00-00

Page 6B

15.05.20

Fig. Item	QTY	Part Number	Nomenclature	Effectivity
2B(2)			Engine Indicating - Instruments / Probes	MVP-50
1	1	AT01-2840-209	manifold pressure transducer PT-30ABS	Rotax 912S
		AT01-2840-221	manifold pressure transducer PT-60ABS	Rotax 914F
2	1	AT01-2840-210	engine data converter	
3	1	AT01-4530-682	external shunt	
4	1	AT01-2840-212	resistive fuel level module	
-5	1	AT01-2840-211	temperature compensator	
-6	1	AT01-2840-213	engine speed interface Rotax	
-7	1	AT01-2840-214	outside air temperature probe P-128	optional
-8	1	AT01-2840-247	voltmeter / ammeter module	Rotax 914F

- Item not illustrated

Engine Indicating - Instruments / Probes
Figure 2B (2)

77-00-00

Page 7B

15.05.20



AQUILA AT01-100/200
ILLUSTRATED PARTS CATALOG

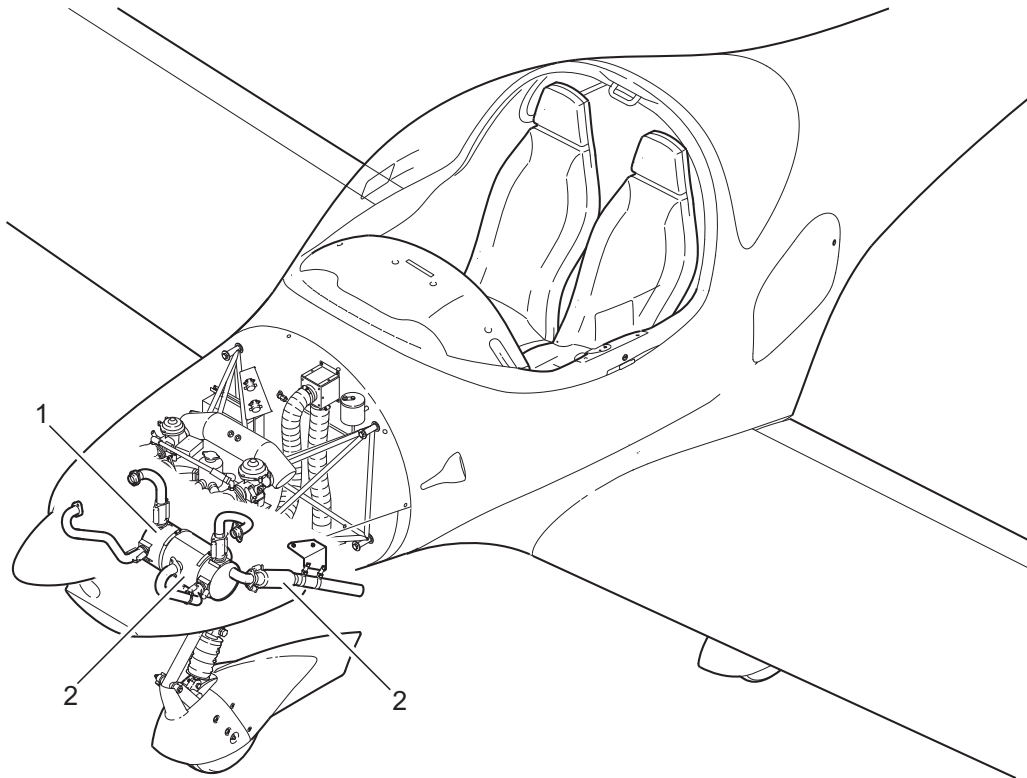
CHAPTER 78

EXHAUST

TABLE OF CONTENTS

<u>Title</u> <u>Subject</u>	<u>Chapter</u> <u>Section</u> <u>Subject</u>	<u>Page</u>	<u>Effectivity</u>
EXHAUST - GENERAL	78-00-00	1	
Exhaust - General	78-00-00	2	
Main Muffler Installation	78-00-00	4	Rotax 912S
Heat Exchanger / Rear Muffler Installation	78-00-00	6A	Rotax 912S
Heat Exchanger / Rear Muffler Installation	78-00-00	6B	Rotax 914F

EXHAUST - GENERAL



Exhaust - General
Figure 1

Fig. Item	QTY	Part Number	Nomenclature	Effectivity
1			Exhaust - General	
	1		Main Muffler Installation (refer to 78-00-00, figure 2 for details)	Rotax 912S
	2		Heat Exchanger / Rear Muffler Installation (refer to 78-00-00, figure 3A for details)	Rotax 912S
	-2		Heat Exchanger / Rear Muffler Installation (refer to 78-00-00, figure 3B for details)	Rotax 914F

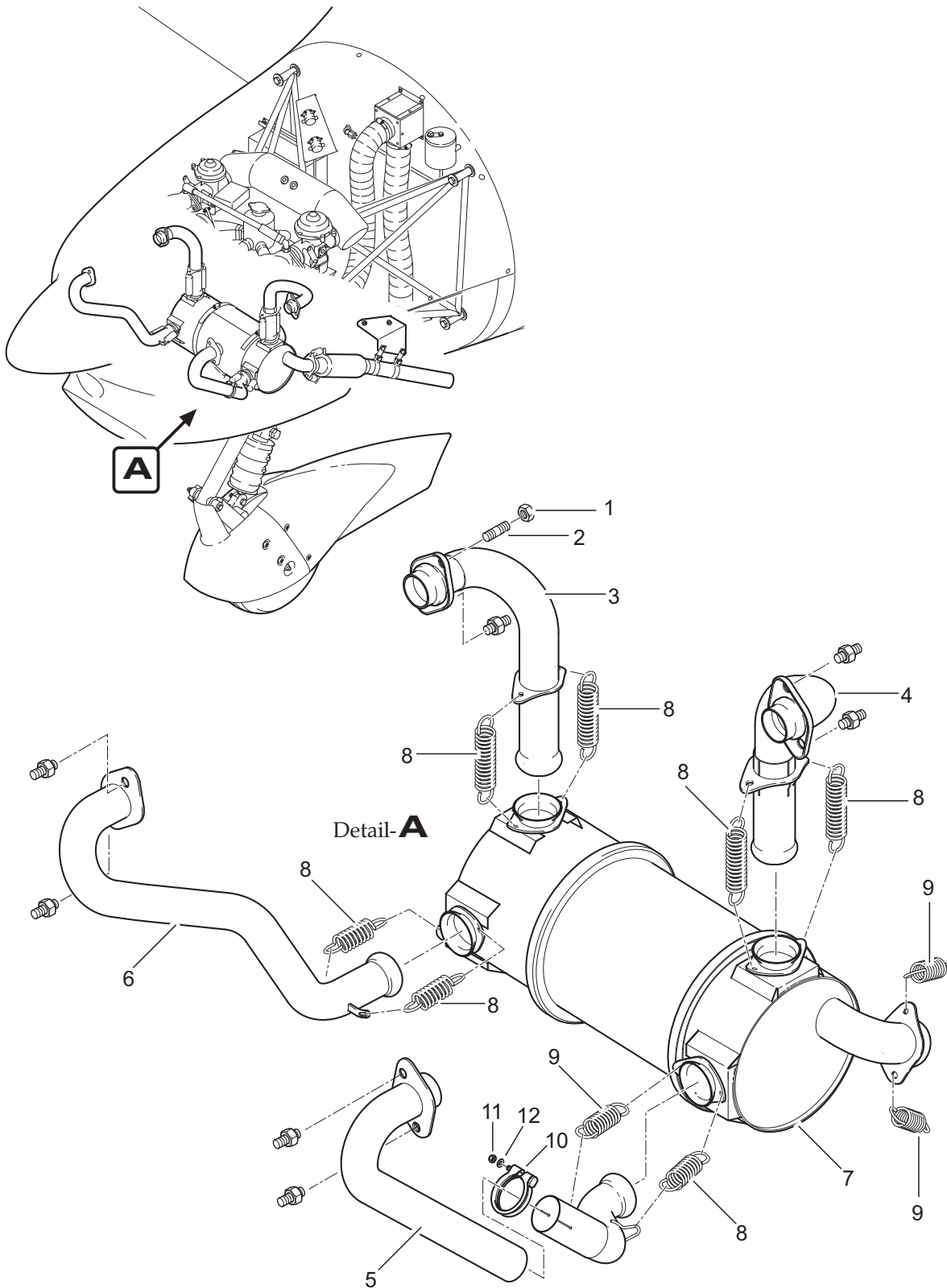
- Item not illustrated

Exhaust - General
Figure 1

78-00-00

Page 3

15.05.20



EFFECTIVITY

Aircraft equipped
with Rotax 912S

Main Muffler Installation
Figure 2

78-00-00

Fig. Item	QTY	Part Number	Nomenclature	Effectivity
2			Main Muffler Installation	Rotax 912S
1	8	AT01-7070-103	locknut (M8)	
2	8	AT01-7080-378	stud (M8x23/20)	
3	1	AT01-7070-040	exhaust manifold RH rear	
4	1	AT01-7070-007	exhaust manifold LH rear	
5	1	AT01-7070-008	exhaust manifold LH front	
6	1	AT01-7070-009	exhaust manifold RH front	
7	1	AT01-7070-100	exhaust muffler	
8	7	AT01-7070-102	spring long	
9	3	AT01-7070-101	spring short	
10	1	AT01-7070-122	pipe clamp	
11	1	1800980_M08_10	locknut (ISO 7042 M8; part of item 10)	
12	1	1800125_8,4	washer (ISO 7089 8,4x16; part of item 10)	

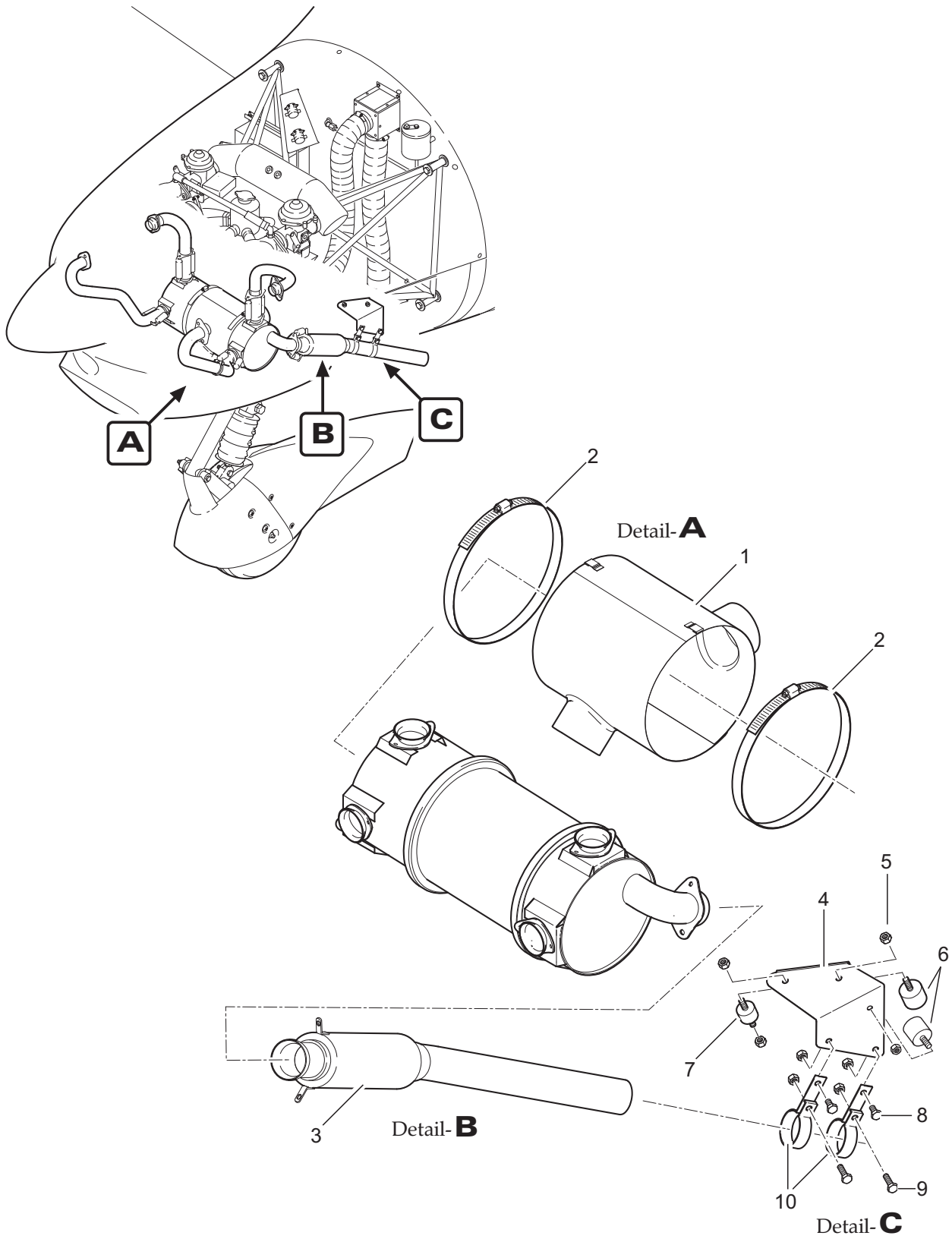
- Item not illustrated

Main Muffler Installation
Figure 2

78-00-00

Page 5

15.05.20



EFFECTIVITY

Aircraft equipped
with Rotax 912S

Heat Exchanger / Rear Muffler Installation
Figure 3A

78-00-00

Fig. Item	QTY	Part Number	Nomenclature	Effectivity
3A			Heat Exchanger / Rear Muffler Installation	Rotax 912S
1	1	AT01-7000-105	heat shroud	
2	2	AT01-4520-498	clamp (150-170mm)	
3	1	AT01-7070-003	rear muffler	
4	1	AT01-7070-105	tail pipe mounting plate	
5	8	1800980_M6_10	locknut (ISO 7042 M6)	
6	2	AT01-7070-151	rubber buffer type D	
7	1	AT01-7070-150	rubber buffer type A	
8	2	1800933_M6x12	bolt (ISO 4017 M6x12 8.8)	
9	2	1800933_M6x20	bolt (ISO 4017 M6x20 8.8)	
10	2	AT01-7070-006	clamp	

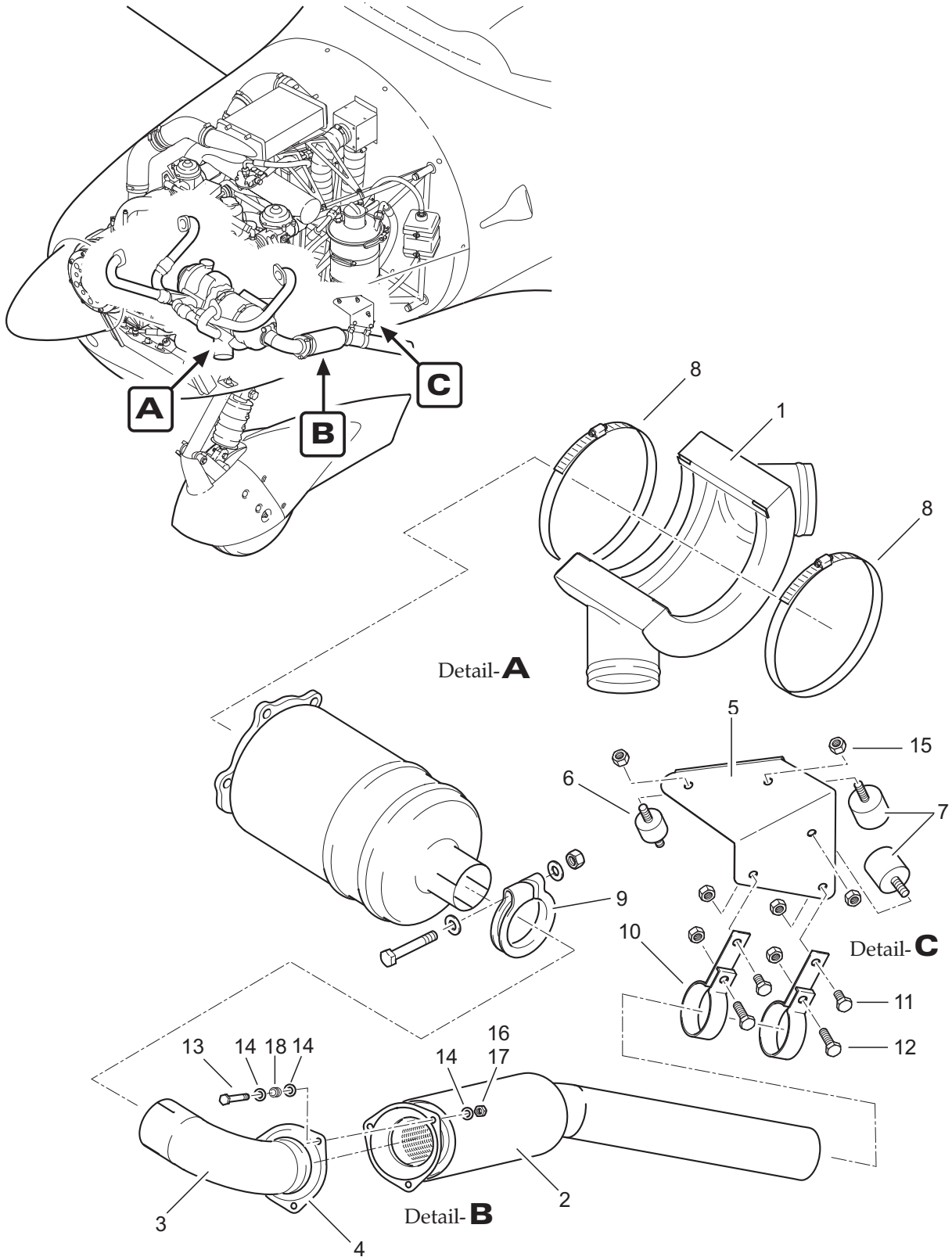
- Item not illustrated

Heat Exchanger / Rear Muffler Installation
Figure 3A

78-00-00

Page 7A |

15.05.20



EFFECTIVITY

Aircraft equipped with Rotax 914F

Heat Exchanger / Rear Muffler Installation
Figure 3B

78-00-00

Fig. Item	QTY	Part Number	Nomenclature	Effectivity
3B			Heat Exchanger / Rear Muffler Installation	Rotax 914F
1	1	AT01-7000-030	heat shroud	
2	1	AT01-7070-019	rear muffler	
3	1	AT01-7070-021	exhaust bend	
4	1	AT01-7070-145	mounting ring	
5	1	AT01-7070-105	tail pipe mounting plate	
6	1	AT01-7070-150	rubber buffer type A	
7	2	AT01-7070-151	rubber buffer type D	
8	2	AT01-4520-482	clamp (89-140mm / included in heat shroud AT01-7000-030)	
9	1	AT01-7070-147	clamp (43-46mm / including bolt, washer and nut)	
10	2	AT01-7070-146	clamp (Ø 44mm)	
11	2	1800933_M6x12	bolt (ISO 4017 M6x12 8.8)	
12	2	1800933_M6x20	bolt (ISO 4017 M6x20 8.8)	
13	3	AT01-1840-124	bolt (AN3C14)	
14	9	AT01-1840-118	washer (NAS1149C0363R)	
15	8	1800980_M6_10	locknut (ISO 7042 M6)	
16	3	AT01-1840-125	castle nut (AN310-3)	
17	3	AT01-1840-126	cotter pin (MS24665-151)	
18	3	AT01-7070-148	spring	
-19	1	AT01-4520-600	air hose (red / Ø 63mm / approx. 100mm)	
-20	1	AT01-4520_TO50-70/9C7W2	clamp (attachment of air hose to heat shroud)	

- Item not illustrated

Heat Exchanger / Rear Muffler Installation
Figure 3B

78-00-00

Page 7B

15.05.20



AQUILA AT01-100/200
ILLUSTRATED PARTS CATALOG

CHAPTER 79

OIL

TABLE OF CONTENTS

<u>Title</u> <u>Subject</u>	<u>Chapter</u> <u>Section</u> <u>Subject</u>	<u>Page</u>	<u>Effectivity</u>
OIL - GENERAL	79-00-00	1	
Oil - General	79-00-00	2	
Oil System	79-00-00	4A	Rotax 912S
Oil System	79-00-00	4B	Rotax 914F
Oil Tank Assembly	79-00-00	6	
Oil Filter / Oil Indicating System	79-00-00	8	
Oil Pressure Indicating System	79-00-00	10	MVP-50

OIL
GENERAL

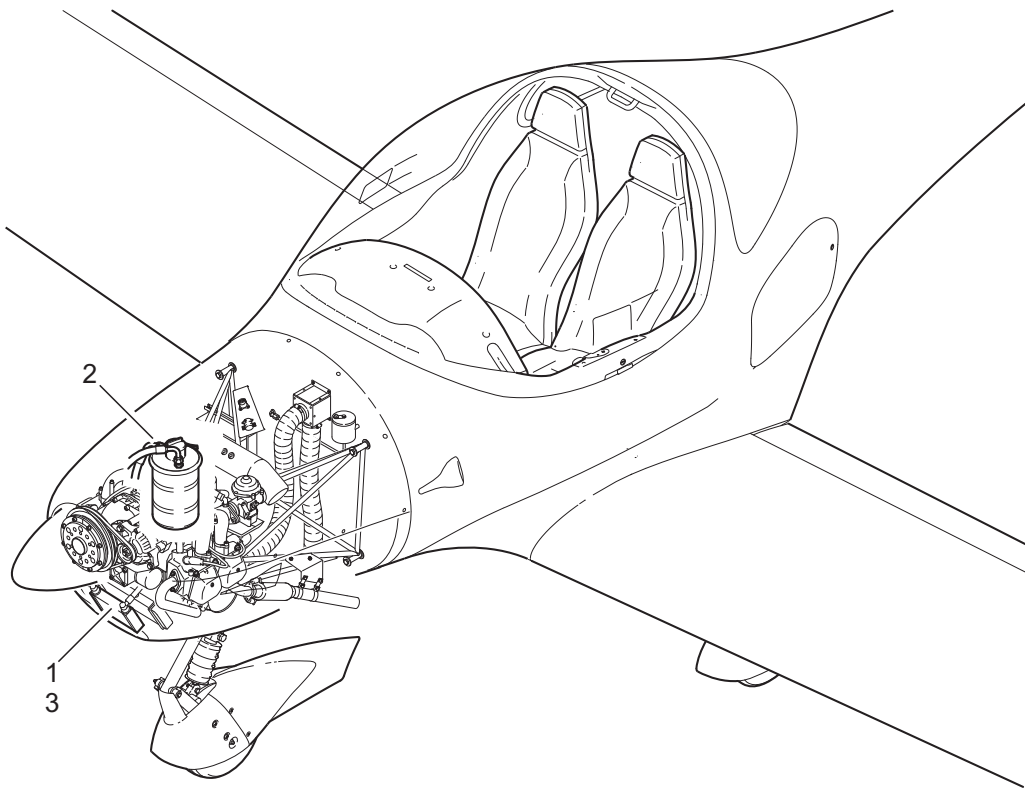


Fig. Item	QTY	Part Number	Nomenclature	Effectivity
1			Oil - General	
	1		Oil System (refer to 79-00-00, figure 2A for details)	Rotax 912S
	-1		Oil System (refer to 79-00-00, figure 2B for details)	Rotax 914F
	2		Oil Tank Assembly (refer to 79-00-00, figure 3 for details)	
	3		Oil Filter / Oil Indicating System (refer to 79-00-00, figure 4 for details)	
	-4		Oil Pressure Indicating System (refer to 79-00-00, figure 5 for details)	MVP-50

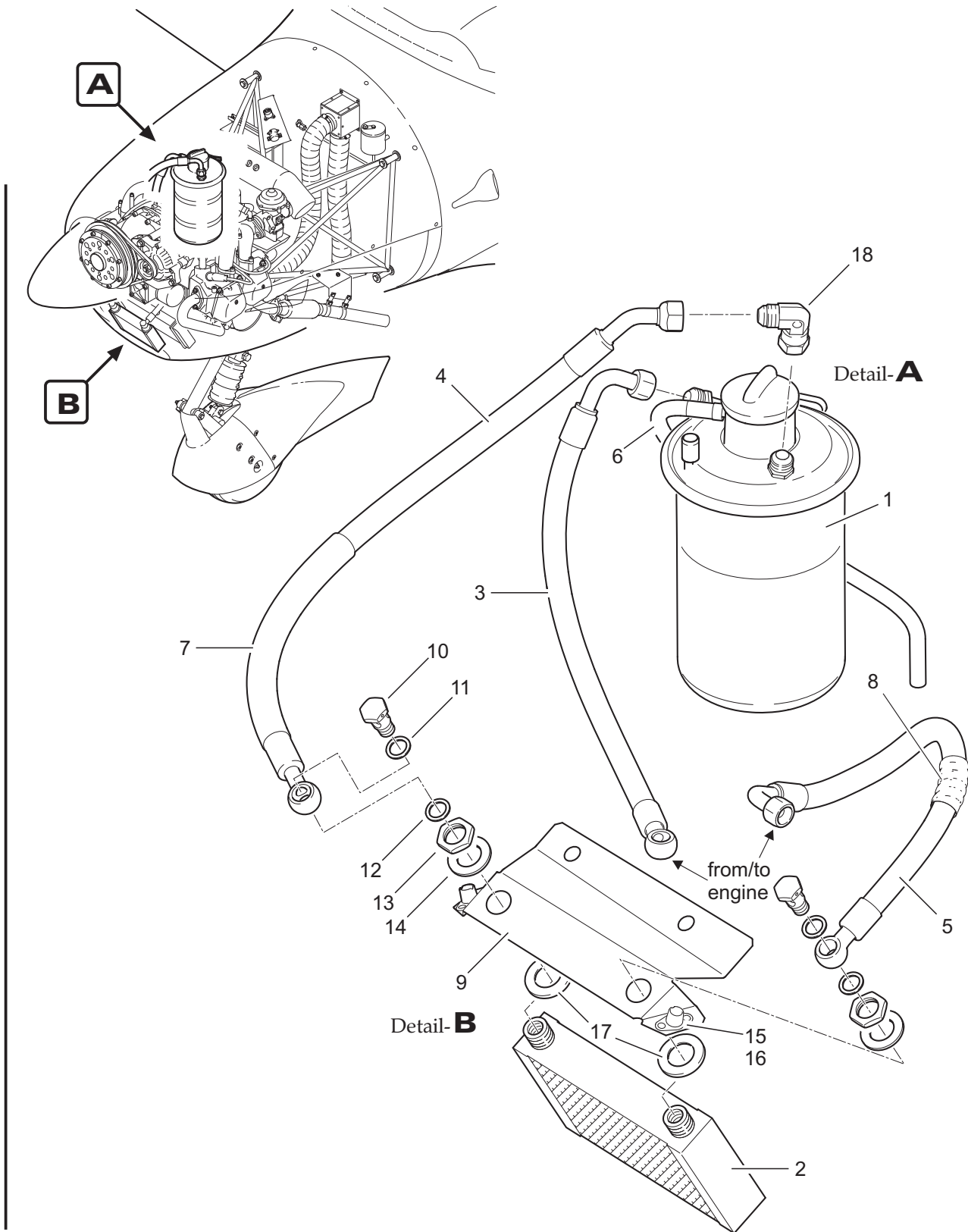
- Item not illustrated

Oil - General
Figure 1

79-00-00

Page 3

15.05.20



EFFECTIVITY

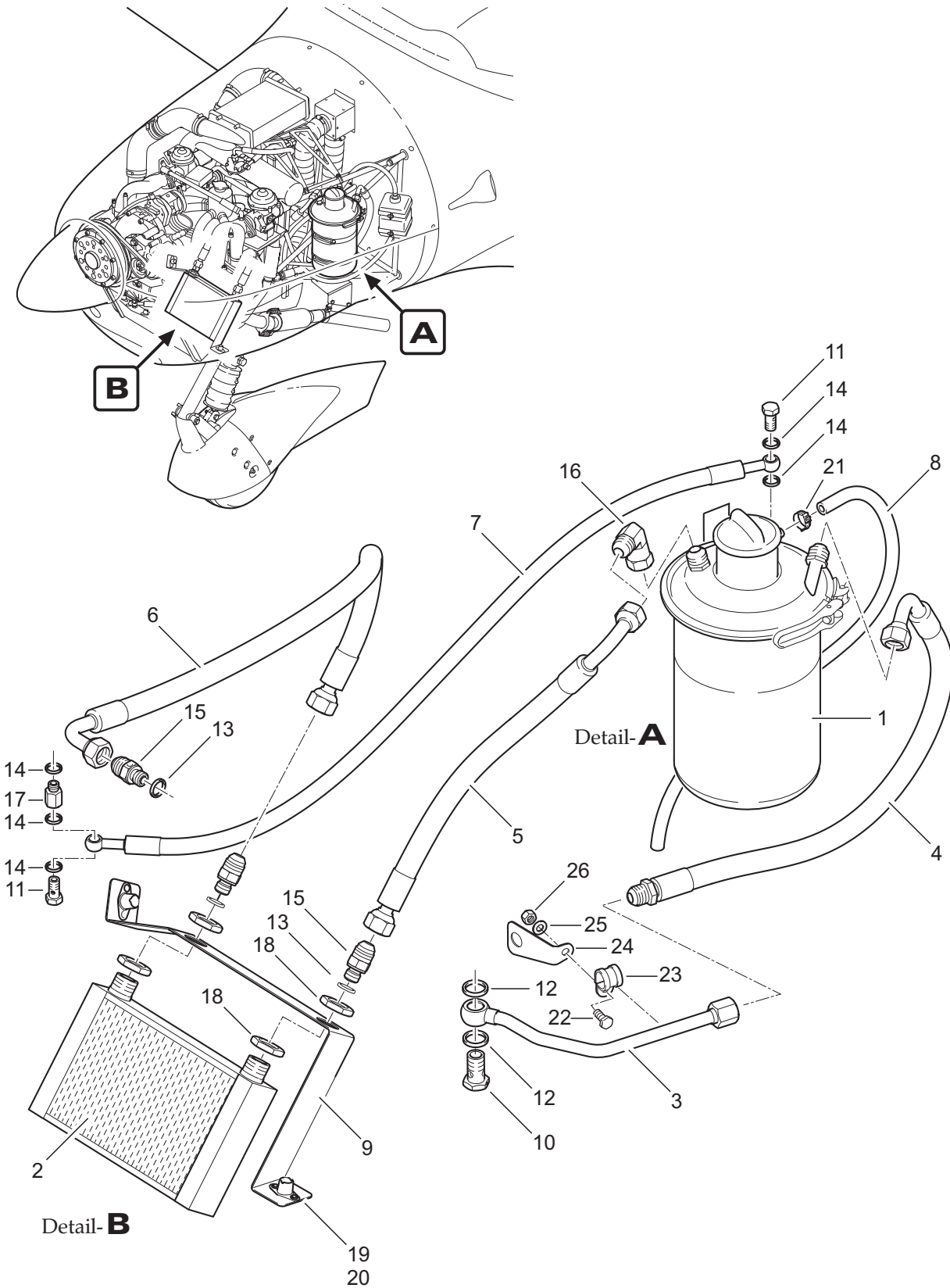
Aircraft equipped
with Rotax 912S

Oil System
Figure 2A

79-00-00

Fig. Item	QTY	Part Number	Nomenclature	Effectivity
2A			Oil System	Rotax 912S
1	1	AT01-7000-040	oil tank assembly (new metric version, Rotax P/N: 656865)	300 - 337
		AT01-7000-039	oil tank assembly (old metric version, Rotax P/N: 956503)	300 - 337
		AT01-7000-050	oil tank assembly (UNF version, Rotax P/N: 656860)	338 - 999
2	1	AT01-7050-304	oil cooler	300 - 332 ¹⁾
		AT01-7050-307	oil cooler (new version)	333 - 999 ¹⁾
3	1	AT01-7000-018	oil hose engine / oil tank (metric version)	300 - 337
		AT01-7000-043	oil hose engine / oil tank (UNF version)	338 - 999
4	1	AT01-7000-028	oil hose oil tank / oil cooler (metric version)	300 - 337
		AT01-7000-041	oil hose oil tank / oil cooler (UNF version)	338 - 999
5	1	AT01-7000-027	oil hose oil cooler / engine	
6	1	AT01-4520-427	venting hose oil tank (750mm)	
7	1	AT01-7070-110	heat protection hose (300mm)	
8	1	AT01-4530-280	spiral hose (for 200mm oil hose)	
9	1	AT01-7050-125	cooler mounting bracket	300 - 332 ¹⁾
	1	AT01-7050-149	cooler mounting bracket (new oil cooler)	333 - 999 ¹⁾
10	2	AT01-7050-126	banjo bolt	
11	2	1807603A_16x22	copper sealing (DIN 7603 A 16x22)	
12	2	1807603A_14x22	copper sealing (DIN 7603 A 14x22)	
13	2	AT01-7050-128	nut	
14	2	1800125_23	washer (ISO 7089 23x39)	
15	2	AT01-1840-582	Benloc receptacle	
16	4	1807337_3,2x6 ES/ES	rivet (ISO 15984 3,2x6 A2/A2)	
17	2	AT01-7050-144	spacer sleeve (new oil cooler)	333 - 999 ¹⁾
18	1	AT01-4520-162	elbow fitting	338 - 999
-19	1	AT01-7050-013	winterization kit ("Remove if OAT > 10°C")	
		AT01-7050-014	winterization kit ("Remove if OAT > 5°C" / optional for lower OAT)	

¹⁾ Oil cooler AT01-7050-304 is no longer available and replaced by AT01-7050-307.
 New oil cooler requires a modified mounting bracket and additional spacer sleeves.
 Refer to SI-AT01-018 (annex 18) and Rotax SI-912-024 for further information.



EFFECTIVITY

Aircraft equipped with Rotax 914F

Oil System
Figure 2B

79-00-00

Fig. Item	QTY	Part Number	Nomenclature	Effectivity
2B			Oil System	Rotax 914F
1	1	AT01-7000-050	oil tank assembly (UNF version, Rotax P/N: 656860)	
2	1	AT01-7050-307	oil cooler (new version)	
3	1	AT01-7000-032	oil return line	
4	1	AT01-7000-033	oil hose engine / oil tank	
5	1	AT01-7000-034	oil hose oil tank / oil cooler	
6	1	AT01-7000-035	oil hose oil cooler / engine	
7	1	AT01-7000-036	oil hose turbo charger / oil tank	
8	1	AT01-4520-427	venting hose oil tank (750mm)	
9	1	AT01-7050-151	cooler mounting bracket	
10	1	AT01-7080-164	banjo bolt (M16x1,5x28)	
11	2	AT01-7080-157	banjo bolt (M10x1x19)	
12	2	AT01-7080-162	sealing washer (16x22)	
13	3	AT01-7080-161	sealing washer (14x18)	
14	5	AT01-7080-160	sealing washer (10x14)	
15	3	AT01-7080-163	adapter (M14x1,5 / 3/4"-16UNF)	
16	1	AT01-4520-162	elbow fitting	
17	1	AT01-7050-193	spacer	
18	4	AT01-7050-128	nut (M22x1,5)	
19	2	AT01-1840-582	Benloc receptacle	
20	4	1807337_3,2x6 ES/ES	rivet (ISO 15984 3,2x6 A2/A2)	
21	1	AT01-4520_COBRA_13,0/8W4	Cobra hose clamp	
22	1	1800933_M5x12	bolt (ISO 4017 M5x12 8.8)	
23	1	AT01-4520_RSGU1.12/12W1	pipe clamp	
24	1	AT01-7050-194	mounting bracket	
25	1	1800125_5,3	washer (ISO 7089 5,3x10)	
26	1	1800985_M5	locknut (ISO 10511 M5)	
-27	AR	AT01-4530-280	spiral hose	
-28	1	AT01-7050-015	winterization kit Rotax 914	

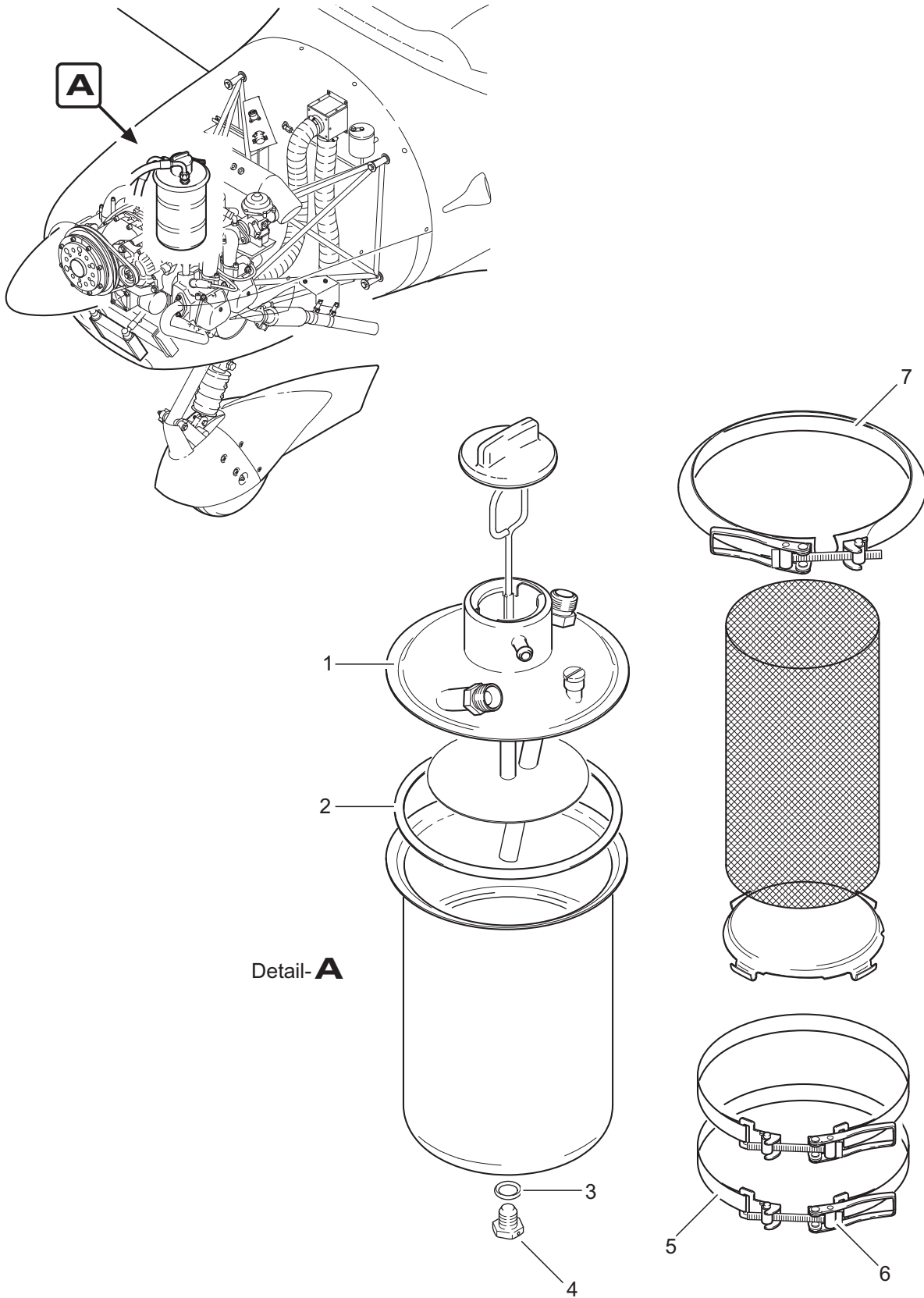
- Item not illustrated

Oil System
Figure 2B

79-00-00

Page 5B

15.05.20

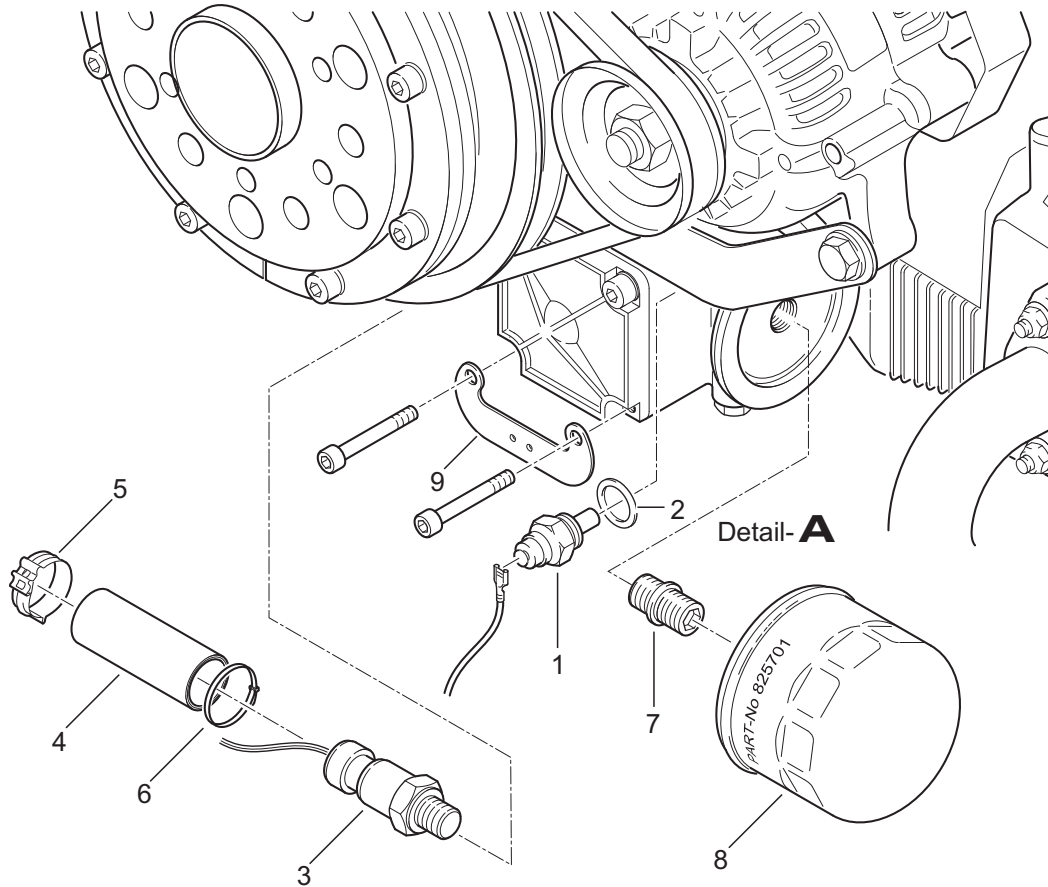
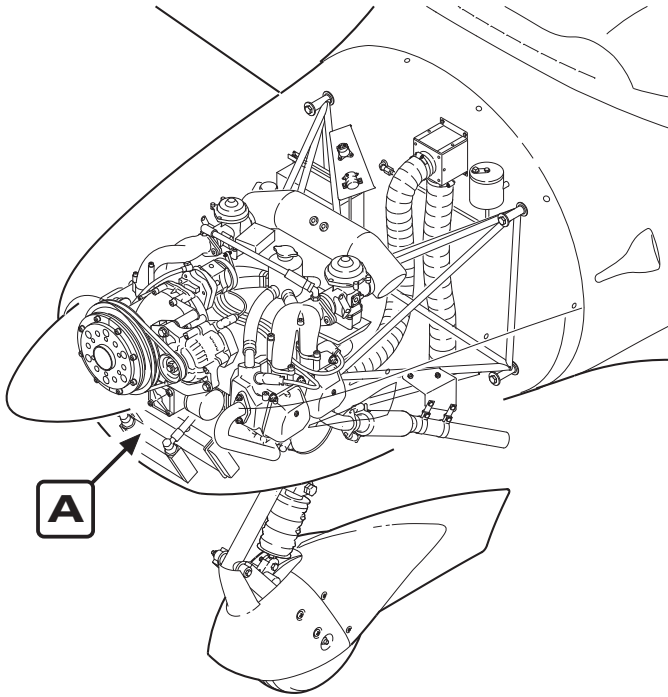


Detail-**A**

Oil Tank Assembly
Figure 3

Fig. Item	QTY	Part Number	Nomenclature	Effectivity
3			Oil Tank Assembly	
1	1	AT01-7000-141 ¹⁾	oil tank cover (new version, oil tank AT01-7000-040 only)	300 - 337
		AT01-7000-142 ¹⁾	oil tank cover (old version, oil tank AT01-7000-039 only)	300 - 337
		AT01-7000-151 ¹⁾	oil tank cover (UNF version, oil tank AT01-7000-050 only)	338 - 999
2	1	AT01-7080-217	O-ring	
3	1	AT01-7080-216	copper sealing	
4	1	Ro 241403	bolt	
5	2	AT01-1840-700	Normafix steel tape (16mm)	
6	2	AT01-1840-710	Normafix closure	
7	1	Ro 951817	profile clamp	

¹⁾ Only repaired covers available in exchange for a damaged cover.



Oil Filter / Oil Indicating System
Figure 4

Fig. Item	QTY	Part Number	Nomenclature	Effectivity
4			Oil Filter / Oil Indicating System	
1	1	AT01-7050-150	oil temperature sensor	Analog / G3X
		AT01-2840-217	oil temperature sensor	MVP-50
2	1	1807603A_10x13,5x1_Al	sealing washer (aluminium / DIN 7603 A 10x13,5x1)	MVP-50
3	1	AT01-7080-201	oil pressure sensor	Analog / G3X
4	1	AT01-4520-309	fire sleeve (60mm)	Analog / G3X
5	1	AT01-4520_COBRA_13,0/8W4	Cobra hose clamp	Analog / G3X
6	1	AT01-4530-941	cable tie (heat resistant / 100x2,5mm)	Analog / G3X
7	1	Ro 924424	oil filter nipple	
8	1	AT01-7080-011	oil filter	
9	1	AT01-7030-105	mounting plate for oil temperature sensor connector	MVP-50

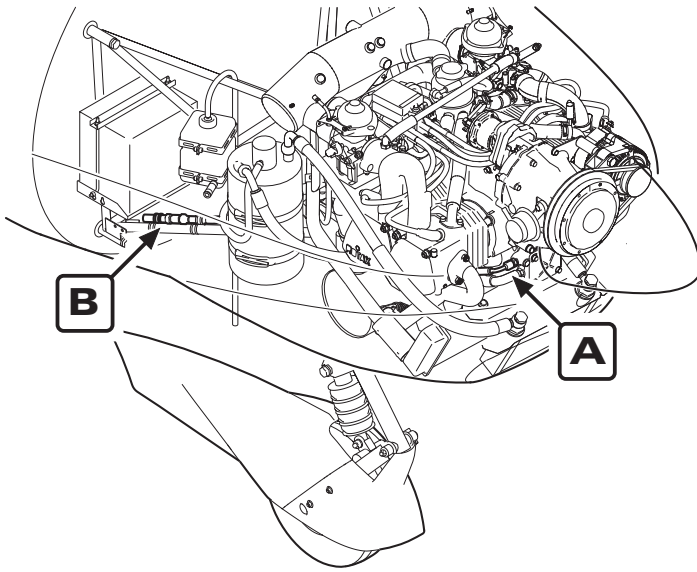
- Item not illustrated

Oil Filter / Oil Indicating System
Figure 4

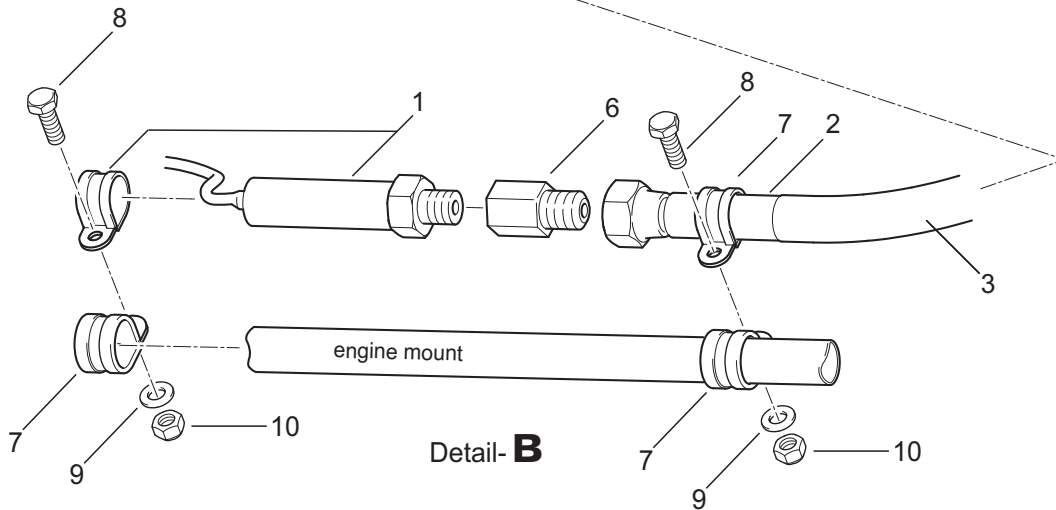
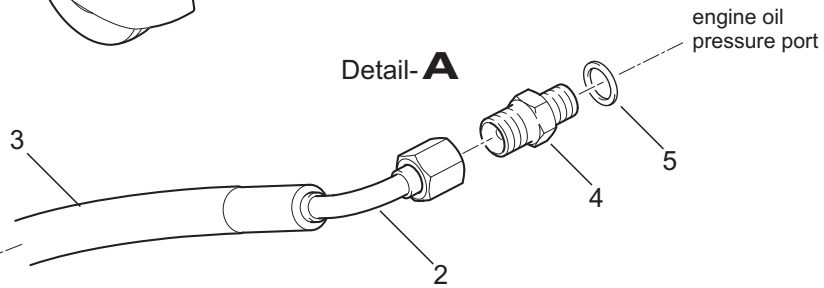
79-00-00

Page 9

15.05.20



Detail- A



Detail- B

EFFECTIVITY

Aircraft equipped with MVP-50 engine monitoring system

Oil Pressure Indicating System
 Figure 5

79-00-00

Fig. Item	QTY	Part Number	Nomenclature	Effectivity
5			Oil Pressure Indicating System	MVP-50
1	1	AT01-2840-207	oil pressure transducer PT-100GA	
2	1	AT01-7030-003	oil hose engine / pressure transducer	
3	1	AT01-4520-309	fire sleeve (500mm)	
4	1	AT01-7030-210	restricting orifice	
5	1	1807603A_10x13,5x1_Al	sealing washer (aluminium / DIN 7603 A 10x13,5x1)	
6	1	AT01-4520-311	adapter (7/16"UNF / 1/8"NPT)	
7	3	AT01-4520_RSGU1.16/12W1	pipe clamp	
8	2	1800933_M5x14	bolt (ISO 4017 M5x14 8.8)	
9	2	1800125_5,3	washer (ISO 7089 5,3x10)	
10	2	1800985_M5	locknut (ISO 10511 M5)	

- Item not illustrated

Oil Pressure Indicating System
Figure 5

79-00-00

Page 11

15.05.20



AQUILA AT01-100/200
ILLUSTRATED PARTS CATALOG

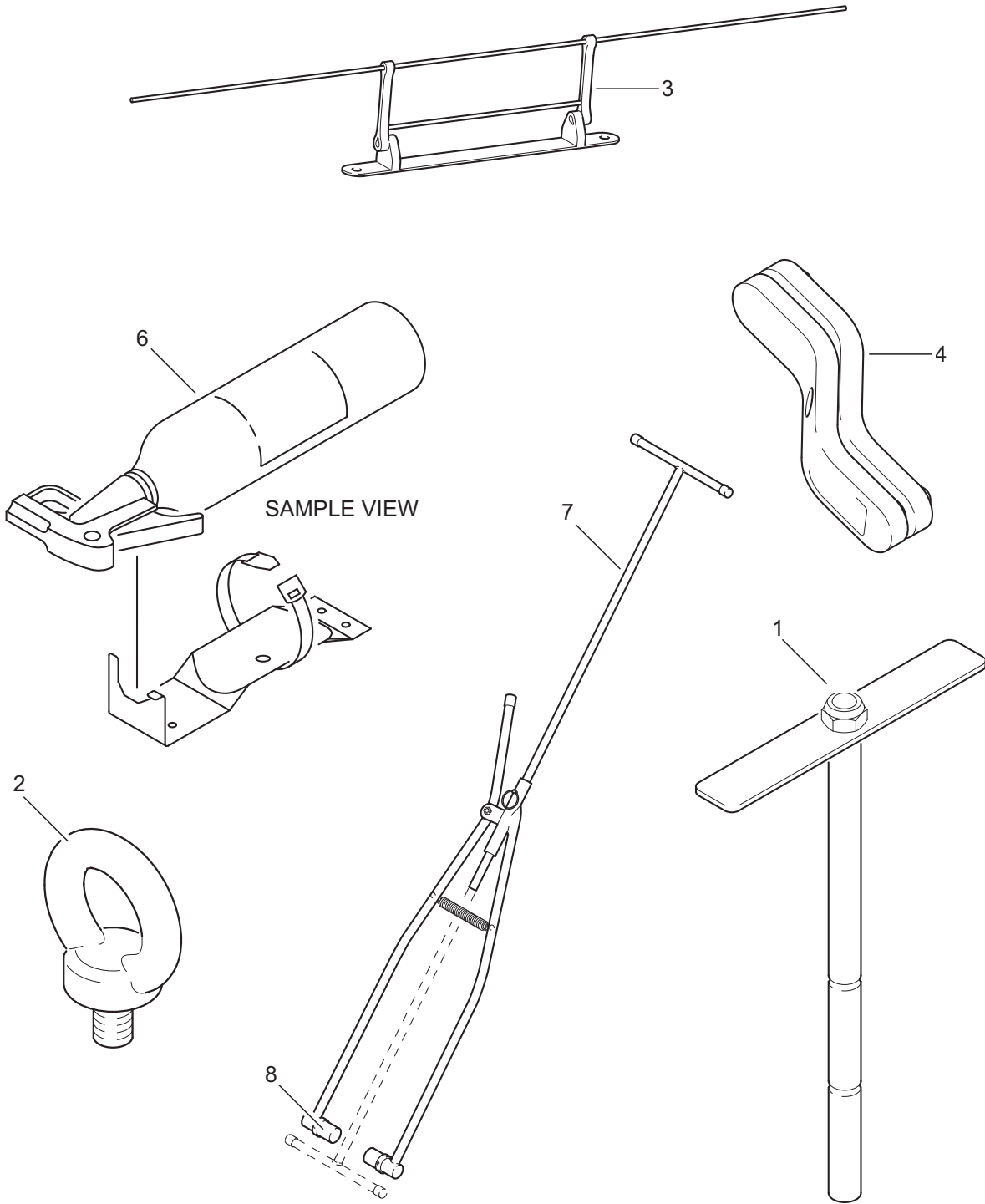
CHAPTER 96

ACCESSORY

TABLE OF CONTENTS

<u>Title</u> <u>Subject</u>	<u>Chapter</u> <u>Section</u> <u>Subject</u>	<u>Page</u>	<u>Effectivity</u>
ACCESSORY - GENERAL	96-00-00	1	
Aquila Accessory and Parts	96-00-00	2	
SPECIAL TOOLS	96-10-00	1	
Special Tools for Maintenance/Repair	96-10-00	2	

ACCESSORY
GENERAL



NOTE: ACCESSORIES NOT IN SCALE!

Aquila Accessory and Parts
Figure 1

Fig. Item	QTY	Part Number	Nomenclature	Effectivity
1			Aquila Accessory and Parts	
1	1	AT01-8030-005	fuel dipstick	
2	1	1800580_M8	lash eye bolt	
3	1	AT01-2820-016-070	instrument panel sight	
4	1	AT01-7020-012	anti-theft device	
5	1	AT01-0790-001	ABUS lock for anti-theft device	
6	1	AT01-9020-105	fire extinguisher H3R A344T	
		AT01-9020-100	fire extinguisher AIRTOTAL HAL 1.0 (optional)	
7	1	AT01-7800-201	tow bar	
8	2	AT01-5100-100	tow bar bushing	
-9		AT01-2110-109	jack point adapter	
-10		AT01-9910-105	canopy cover (Jaxida)	
-11		AT01-9910-106	full cover (Jaxida)	
-12		AT01-9910-207	winglet cover	
-13		AT01-9910-201	pitot-static tube cover	
-14		AT01-7080-053	spark plug	
-15		AT01-7080-011	oil filter	
-16		AT01-7080-216	oil tank gasket	
-17		AT01-7040-101	air filter (K&N)	
-18		AT01-2320-002	canopy sun protection film	

Operating Fluids:

AT01-1110-527	coolant (Glysantin Protect Plus/G48)
AT01-1110-531	engine oil (AeroShell Oil Plus 4 Aviation Oil / 10W40)
AT01-1110-500	brake fluid (AeroShell Fluid 41)

Operating Materials:

AT01-2350-100	canopy care set
1070399	aircraft exterior dry wash/polish (Ardrox 6017)
1050023	PTFE thread-sealing tape (12 mm x 12 m)
1050083	medium-strength pipe sealant (50 g)
AT01-7080-035	medium-strength threadlocker (Loctite 243 / 10 ml)
AT01-7080-036	medium-strength threadlocker (Loctite 243 / 50 ml)
1060201	high-strength threadlocker (Loctite 270)
AT01-7080-037	high-strength retaining compound (Loctite 648)

Manuals:

AT01-1010-101	AQUILA AT01-100A Flight Manual (English or German available)
AT01-1010-102	AQUILA AT01-100B Flight Manual (English or German available)
AT01-1010-103	AQUILA AT01-100C Flight Manual (English or German available)
AT01-1010-106	AQUILA AT01-200C Flight Manual (English or German available)
AT01-1020-110	AQUILA AT01-100/200 Maintenance Manual (English)
AT01-1030-110	AQUILA AT01-100/200 Illustrated Parts Catalog (English)

Refer to www.aquila-aviation.de for AQUILA AT01-100/200 Flight Manual Supplements.

- Item not illustrated

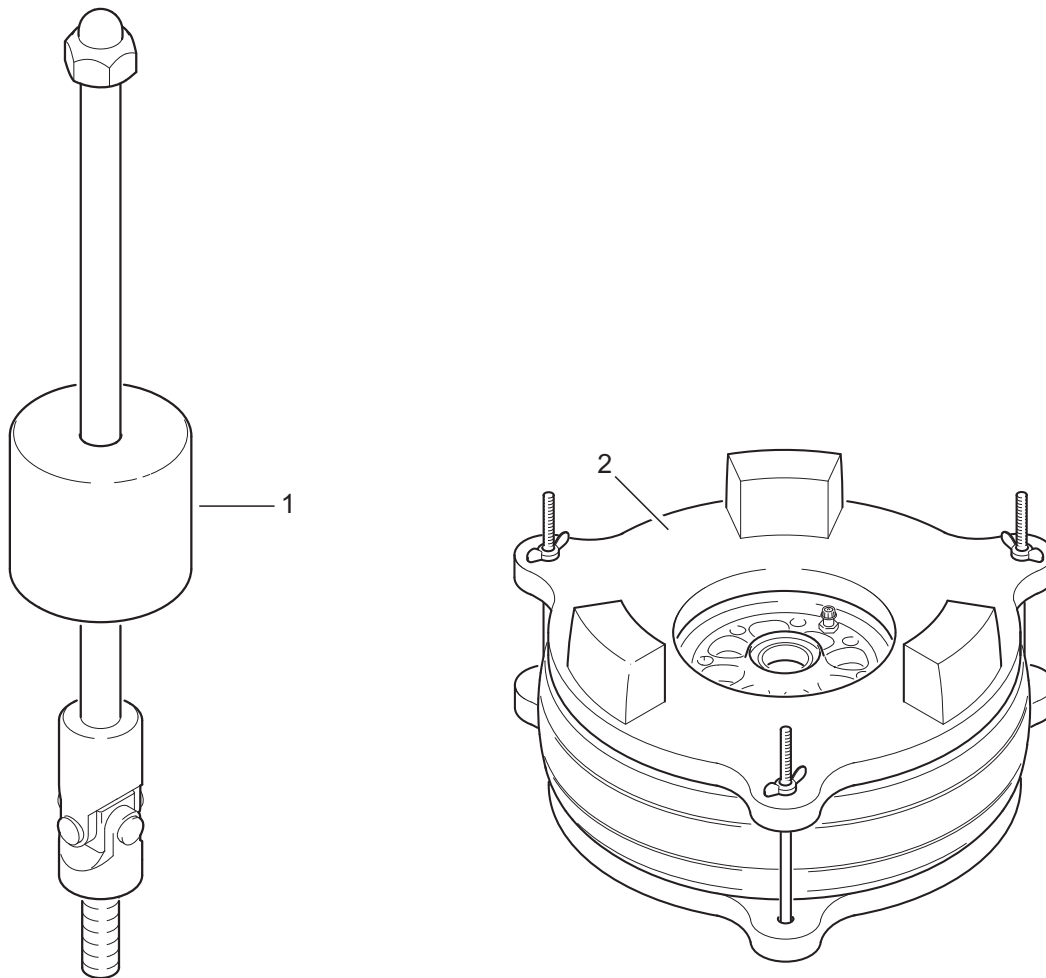
Aquila Accessory and Parts
Figure 1

96-00-00

Page 3

15.05.20

SPECIAL TOOLS



NOTE: ACCESSORIES NOT IN SCALE!

Special Tools for Maintenance/Repair
Figure 1

96-10-00

Page 2

15.05.20

Fig. Item	QTY	Part Number	Nomenclature	Effectivity
1			Special Tools for Maintenance/Repair	
	1	AT01-9620-010	wing bolt removal tool	
	2	1391108	tire change tool for Beringer wheels	Beringer

- Item not illustrated

Special Tools for Maintenance/Repair
Figure 1

96-10-00

Page 3

15.05.20

