









**LIST OF EFFECTIVE CHAPTERS**

Chapter Title	Date*
<b>GENERAL</b>	
00 Introduction	15.05.20
11 Placards and Markings	15.05.20
<b>AIRFRAME SYSTEMS</b>	
21 Ventilation and Heating	15.05.20
24 Electrical Power	15.05.20
25 Equipment and Furnishings	15.05.20
27 Flight Controls	03.03.14
28 Fuel	04.02.21
31 Indicating/Recording Systems	31.03.16
32 Landing Gear	24.11.22
33 Lights	04.02.21
<b>STRUCTURES</b>	
55 Stabilizers	03.03.14
56 Windows	15.05.20
57 Wings	03.03.14
<b>POWER PLANT</b>	
71 Power Plant	04.02.21
75 Engine Cooling	15.05.20
76 Engine Controls	15.05.20
77 Engine Indicating	15.05.20
78 Exhaust	15.05.20
79 Oil	15.05.20
<b>MISCELLANEOUS</b>	
96 Accessory	15.05.20

\* The date refers to the issue / revision date of the respective chapter.

The technical content of this document (revision A.06) is approved under the authority of the  
DOA ref. EASA.21J.025.

24.11.22  
  
Date, Signature Office of Airworthiness





**AQUILA AT01-100/200**  
**ILLUSTRATED PARTS CATALOG**

---

**CHAPTER 32**  
**LANDING GEAR**





**TABLE OF CONTENTS**

<u>Title</u> <u>Subject</u>	<u>Chapter</u> <u>Section</u> <u>Subject</u>	<u>Page</u>	<u>Effectivity</u>
MAIN GEAR	32-10-00	1	
Main Gear - General	32-10-00	2	
Main Gear Fairing Installation	32-10-00	4A	"High Speed"
Main Gear Fairing Installation	32-10-00	4B	"Soft Field"
Main Gear Leg Installation	32-10-00	6	
Main Gear Wheel Installation	32-10-00	8A	Beringer
Main Gear Wheel Installation	32-10-00	8B	Cleveland/Grove
Main Gear Leg Protection	32-10-00	10	
NOSE GEAR	32-20-00	1	
Nose Gear - General	32-20-00	2	
Nose Gear Fairing Installation	32-20-00	4A	"High Speed"
Nose Gear Fairing Installation	32-20-00	4B	"Soft Field"
Nose Gear Strut Installation	32-20-00	6	
Nose Gear Strut Installation	32-20-00	8	
Nose Gear Fork/Damper Installation	32-20-00	10	
Damper Assembly	32-20-00	12A	AT01-100
Damper Assembly	32-20-00	12B	AT01-200
Nose Gear Wheel Installation	32-20-00	14A	Beringer
Nose Gear Wheel Installation	32-20-00	14B	Cleveland/Grove
WHEELS & BRAKES	32-40-00	1	
Wheels & Brakes - General	32-40-00	2	
Wheel Assembly	32-40-00	4A	Ber. RF-005/RA-002
Wheel Assembly	32-40-00	4B	Ber. RF-018/RA-014
Wheel Assembly	32-40-00	4C	Cleveland/Grove
Brake System Installation - Front	32-40-00	6A	Beringer
Brake System Installation - Front	32-40-00	6B	Cleveland/Grove
Brake System Installation - Rear	32-40-00	8A	Beringer
Brake System Installation - Rear	32-40-00	8B	Cleveland/Grove
Brake Caliper Installation	32-40-00	10A	Beringer
Brake Caliper Installation	32-40-00	10B	Cleveland/Grove



**MAIN GEAR**

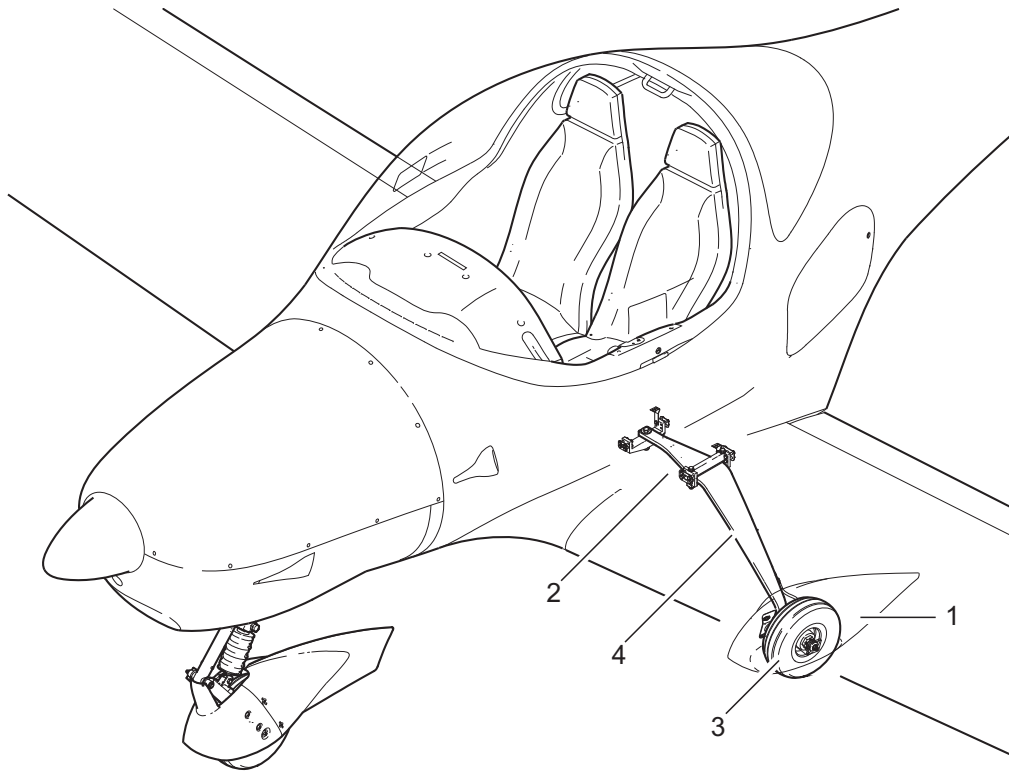
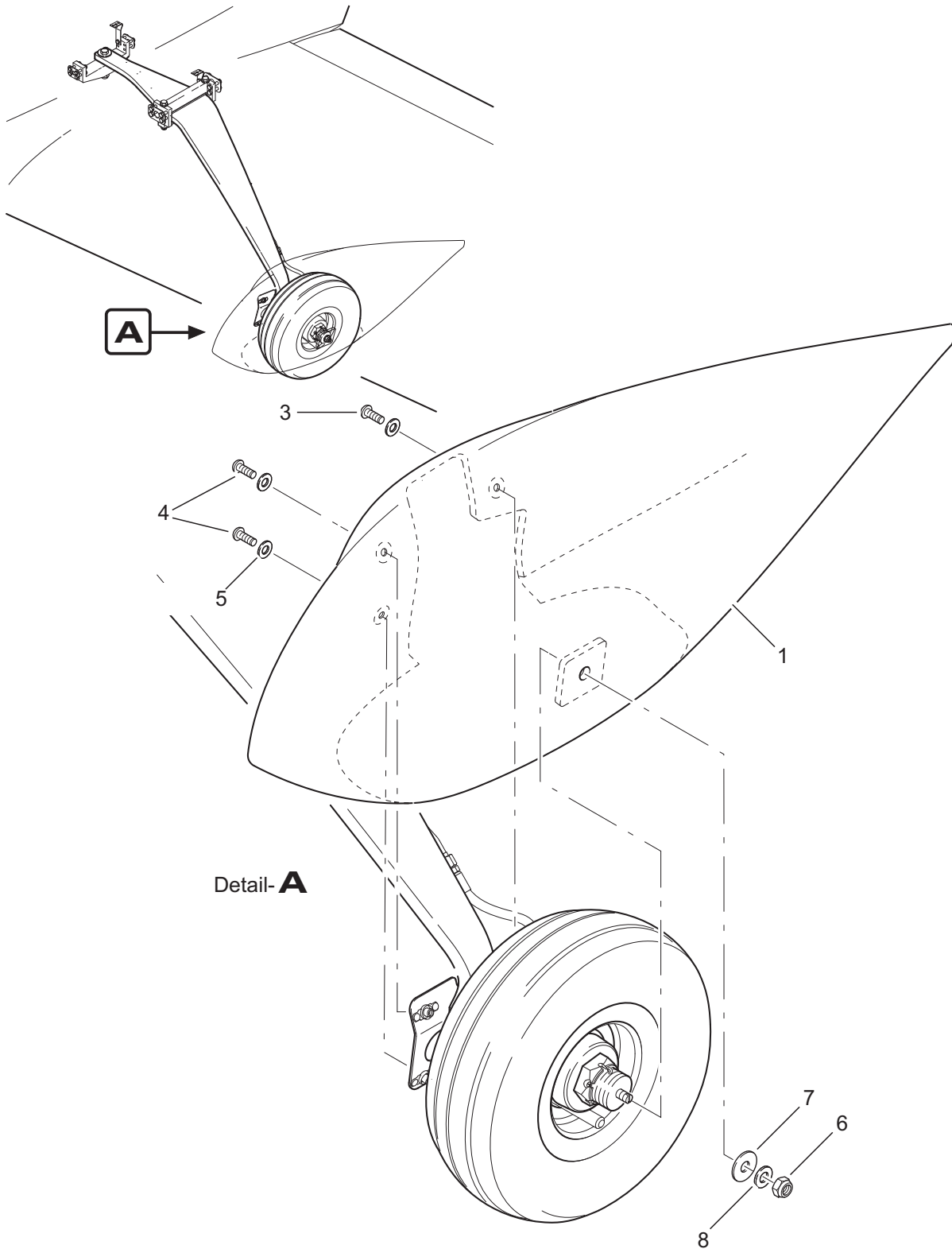


Fig. Item	QTY	Part Number	Nomenclature	Effectivity
1			Main Gear - General	
	1		Main Gear Fairing Installation (refer to 32-10-00, figure 2A for details)	"High Speed"
	-1		Main Gear Fairing Installation (refer to 32-10-00, figure 2B for details)	"Soft Field"
	2		Main Gear Leg Installation (refer to 32-10-00, figure 3 for details)	
	-3		Main Gear Wheel Installation (refer to 32-10-00, figure 4A for details)	Beringer
	3		Main Gear Wheel Installation (refer to 32-10-00, figure 4B for details)	Cleveland/ Grove
	4		Main Gear Leg Protection (refer to 32-10-00, figure 5 for details)	

- Item not illustrated



Detail-**A**

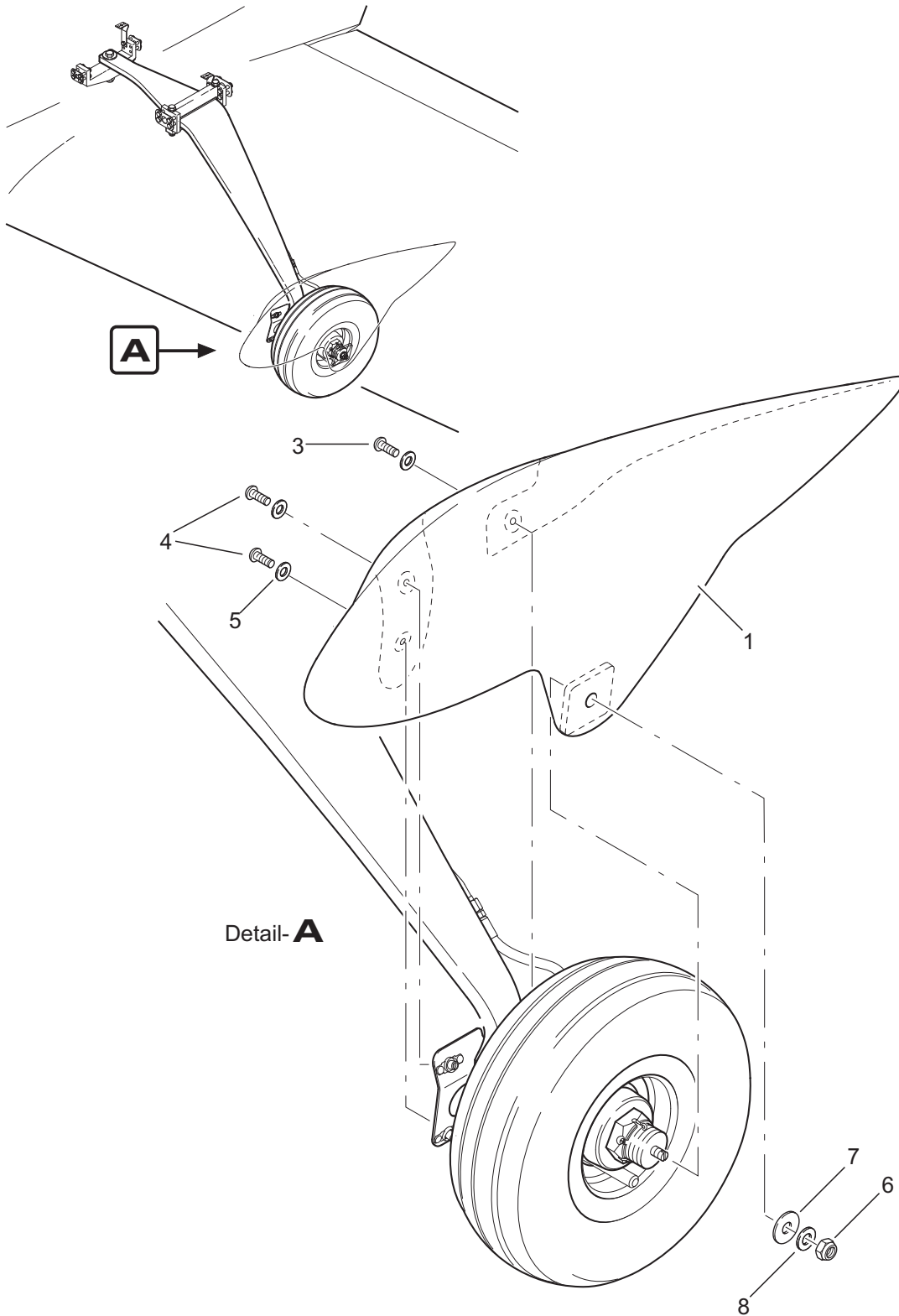
**EFFECTIVITY**

Aircraft equipped  
with main gear  
fairings "High Speed"

Main Gear Fairing Installation  
Figure 2A

Fig. Item	QTY	Part Number	Nomenclature	Effectivity
2A			Main Gear Fairing Installation	"High Speed"
1	1	AT01-5030-001-070	main gear fairing "High Speed" LH	
-2	1	AT01-5030-002-070	main gear fairing "High Speed" RH	
<u>Option A: Wheel fairing installation with steel washers</u>				steel washers
3	1	1800933_M6x20	bolt (ISO 4017 M6x20 8.8)	
4	2	1800933_M6x16	bolt (ISO 4017 M6x16 8.8)	
5	3	1809021_6,4	washer (ISO 7093 6,4x18)	
6	1	1800985_M8	locknut (ISO 10511 M8)	
7	1	1809021_8,4	washer (ISO 7093 8,4x24)	
8	-	-	-	
<u>Option B: Wheel fairing installation with polyamide washers</u>				PA washers
3	1	1807380_6x20 ULF	bolt (ISO 7380 M6x20 ULF)	
4	2	1807380_6x16 ULF	bolt (ISO 7380 M6x16 ULF)	
5	3	1809021_6,4_PA	washer (ISO 7093 6,4x18 polyamide)	
6	1	1800985_M8	locknut (ISO 10511 M8)	
7	1	1809021_8,4_PA	washer (ISO 7093 8,4x24 polyamide)	
8	1	1800125_8,4	washer (ISO 7089 8,4x16)	
<u>Service Kits &amp; Tools</u>				
		AT01-5030-001-096	main gear fairing "High Speed" LH (incl. mounting material)	
		AT01-5030-002-096	main gear fairing "High Speed" RH (incl. mounting material)	

- Item not illustrated



**EFFECTIVITY**

Aircraft equipped  
with main gear  
fairings "Soft Field"

Main Gear Fairing Installation  
Figure 2B

**32-10-00**

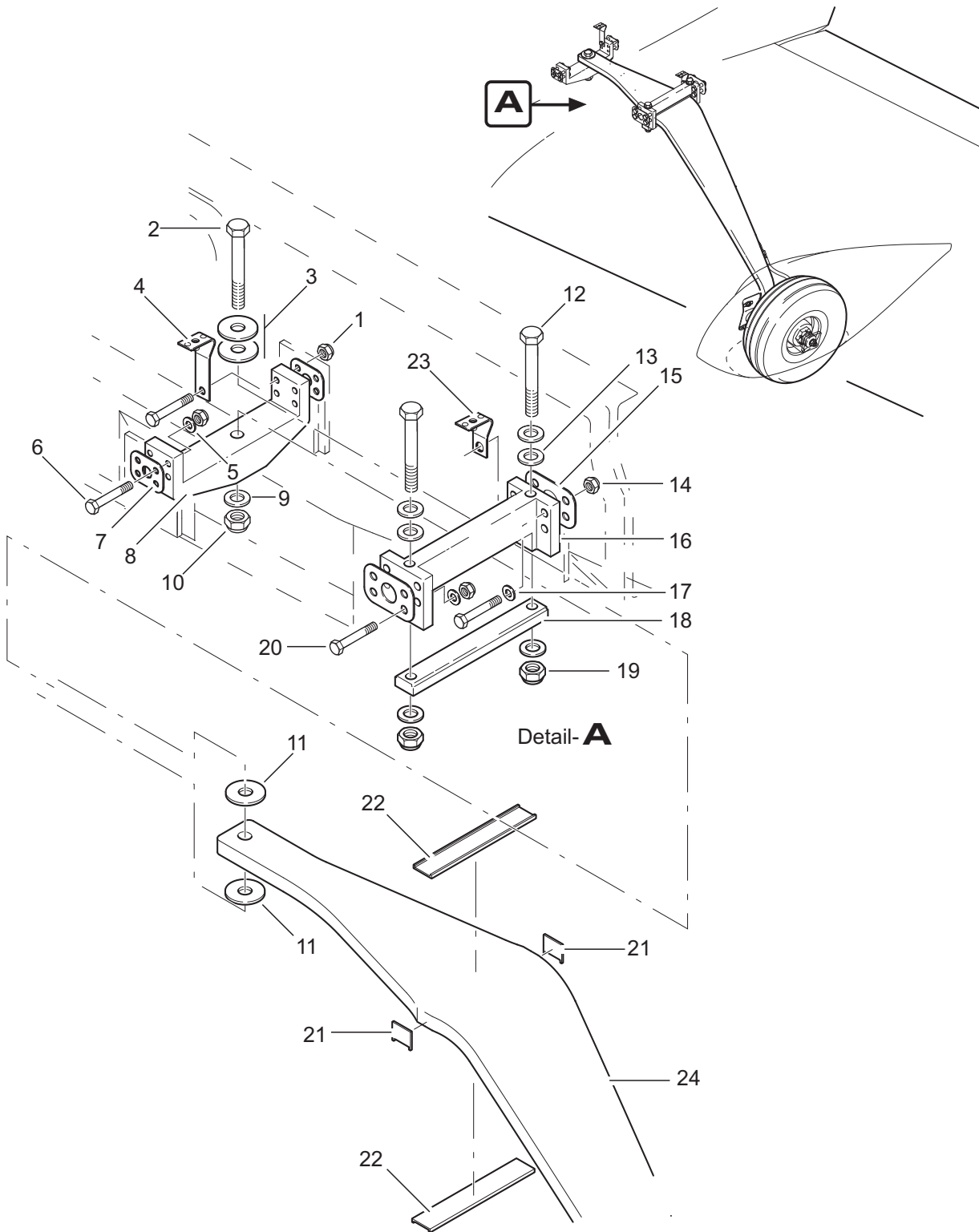
Page 4B

24.11.22



Fig. Item	QTY	Part Number	Nomenclature	Effectivity
2B			Main Gear Fairing Installation	"Soft Field"
1	1	AT01-5030-007-070	main gear fairing "Soft Field" LH	
-2	1	AT01-5030-008-070	main gear fairing "Soft Field" RH	
<u>Option A: Wheel fairing installation with steel washers</u>				steel washers
3	1	1800933_M6x20	bolt (ISO 4017 M6x20 8.8)	
4	2	1800933_M6x16	bolt (ISO 4017 M6x16 8.8)	
5	3	1809021_6,4	washer (ISO 7093 6,4x18)	
6	1	1800985_M8	locknut (ISO 10511 M8)	
7	1	1809021_8,4	washer (ISO 7093 8,4x24)	
8	-	-	-	
<u>Option B: Wheel fairing installation with polyamide washers</u>				PA washers
3	1	1807380_6x20 ULF	bolt (ISO 7380 M6x20 ULF)	
4	2	1807380_6x16 ULF	bolt (ISO 7380 M6x16 ULF)	
5	3	1809021_6,4_PA	washer (ISO 7093 6,4x18 polyamide)	
6	1	1800985_M8	locknut (ISO 10511 M8)	
7	1	1809021_8,4_PA	washer (ISO 7093 8,4x24 polyamide)	
8	1	1800125_8,4	washer (ISO 7089 8,4x16)	
<u>Service Kits &amp; Tools</u>				
		AT01-5030-007-096	main gear fairing "Soft Field" LH (incl. mounting material)	
		AT01-5030-008-096	main gear fairing "Soft Field" RH (incl. mounting material)	

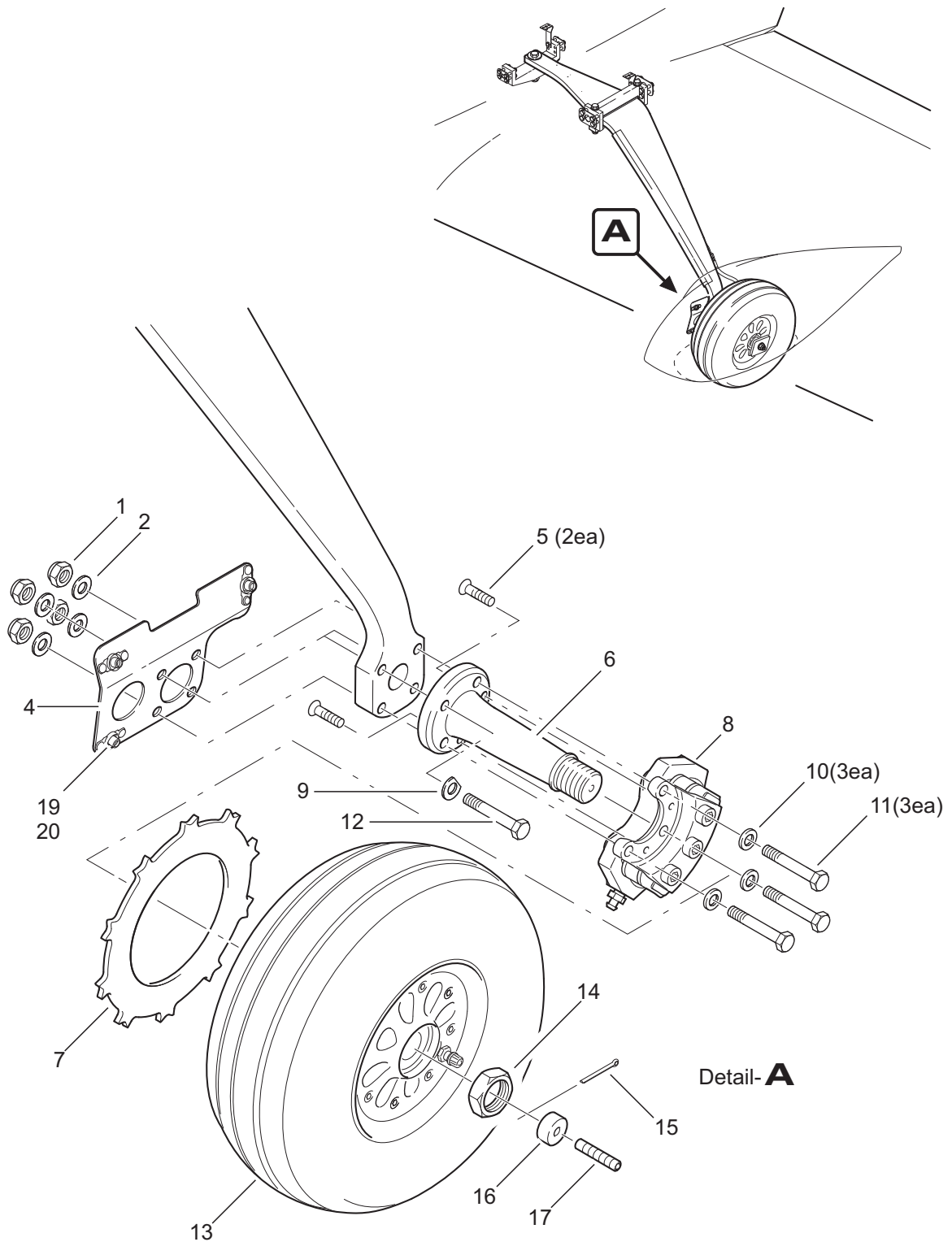
- Item not illustrated



Main Gear Leg Installation  
Figure 3

Fig. Item	QTY	Part Number	Nomenclature	Effectivity
3			Main Gear Leg Installation	
1	8	1800985_M6	nut (ISO 10511 M6)	
2	1	1800931_M12x85	bolt (ISO 4014 M12x85 8.8)	
3	4	1800440_13,5	washer (ISO 7094 13,5x44)	
4	1	AT01-2160-015	central suspension for landing gear duct cover	
5	7	1800125_6,4	washer (ISO 7089 6,4x12)	
6	8	1800931_M6x45	bolt (ISO 4014 M6x45 8.8)	
7	2	AT01-5050-102	bearing plate (inner yoke)	
8	1	AT01-5050-100	inner yoke	
9	1	1800125_13HV2	washer (ISO 7089 13x24)	
10	1	1800985_M12	locknut (ISO 10511 M12)	
11	2	1809021_13 Nylon	polyamide washer (ISO 7093 13x37)	
12	2	1800931_M10x90	bolt (ISO 4014 M10x90 8.8)	
13	6	1800125_10,5	washer (ISO 7089 10,5x20)	
14	8	1800985_M8	locknut (ISO 10511 M8)	
15	2	AT01-5050-110	bearing plate (outer yoke)	
16	1	AT01-5050-101	outer yoke	
17	7	1800125_8,4	washer (ISO 7089 8,4x16)	
18	1	AT01-5050-103	support bracket (outer yoke)	
19	2	1800985_M10	locknut (ISO 10511 M10)	
20	8	1800931_M8x50	bolt (ISO 4014 M8x50 8.8)	
21	2	AT01-5050-105	UHMW element 2	
22	2	AT01-5050-104	UHMW element 1	
23	1	AT01-2160-016	outer suspension for landing gear duct cover	
24	1	AT01-5010-202	main gear leg LH	
- 25	1	AT01-5010-201	main gear leg RH	

- Item not illustrated



**EFFECTIVITY**

Aircraft equipped  
with Beringer wheels

Main Gear Wheel Installation  
Figure 4A

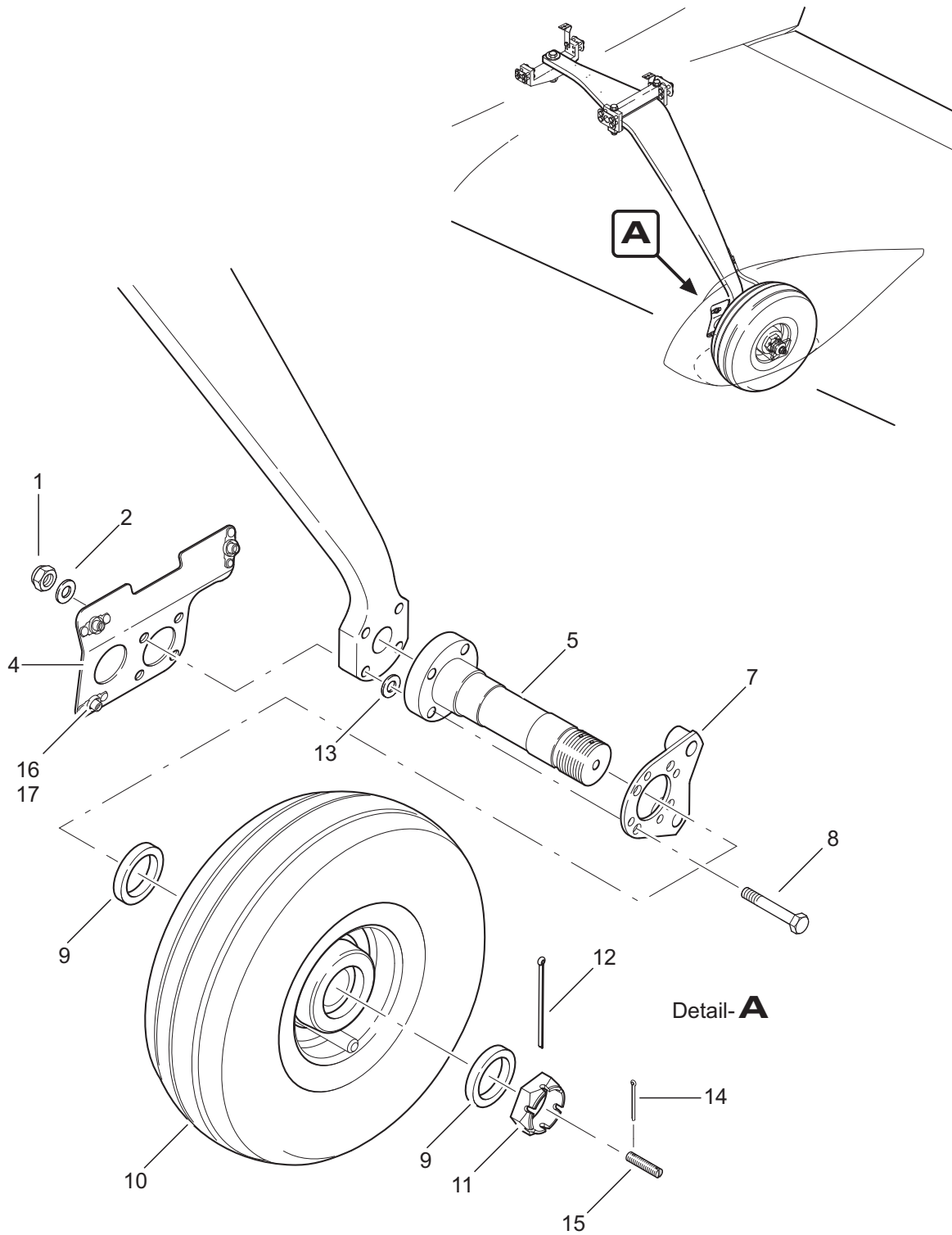
**32-10-00**

Page 8A

24.11.22

Fig. Item	QTY	Part Number	Nomenclature	Effectivity
4A			Main Gear Wheel Installation	Beringer
1	4	1800985_M8_10	locknut (ISO 10511 M8 class 10)	
2	4	1800125_8,4	washer (ISO 7089 8,4x16)	
- 3	1	AT01-5030-004	main gear fairing bracket RH	
4	1	AT01-5030-003	main gear fairing bracket LH	
5	2	AT01-5020-118	assembly screw	
6	1	AT01-5010-102	main landing gear axle (old version / replaced by AT01-5010-106)	
		AT01-5010-106	main landing gear axle (new version / replaces AT01-5010-102)	
7	1	AT01-5020-101	brake disc	
8	1	AT01-5020-033	brake caliper (modified)	
9	1	AT01-5010-104	washer	
10	3	1800988_8/1	adjusting washer (DIN 988 8x14x1)	
11	3	1809037_08050	bolt (LN 9037 M8x50)	
12	1	1809037_08044	bolt (LN 9037 M8x44)	
13	1	AT01-5040-004	main wheel Beringer RF-005	
			(incl. rim and tire / old version with central spacer / replaced by RF-018)	
		AT01-5040-005	main wheel Beringer RF-018	
			(incl. rim and tire / new version without central spacer / replaces RF-005)	
14	1	AT01-5010-103	axle nut	
15	1	1800094_2,5x28	split pin (ISO 1234 2,5x28)	
16	1	AT01-5030-109	fairing spacer	
17	1	1800913_M08x45	threaded pin (ISO 4026 M8x45)	
-18	1	AT01-1840-507	brake disc safety wire	
19	3	18029679M6	rivet nut (LN 29679 M6 / incl. in AT01-5030-003 & AT01-5030-004)	
20	6	1807337_3,2x6 ES/ES	rivet (ISO 15984 3,2x6 A2/A2 / incl. in AT01-5030-003 & AT01-5030-004)	

- Item not illustrated



**EFFECTIVITY**

Aircraft equipped  
with Cleveland/  
Grove wheels

Main Gear Wheel Installation  
Figure 4B

**32-10-00**

Page 8B

24.11.22

Fig. Item	QTY	Part Number	Nomenclature	Effectivity
4B			Main Gear Wheel Installation	Cleveland/Grove
1	4	1800985_M8_10	locknut (ISO 10511 M8 class 10)	
2	4	1800125_8,4	washer (ISO 7089 d 8,4x16)	
- 3	1	AT01-5030-004	main gear fairing bracket RH	
4	1	AT01-5030-003	main gear fairing bracket LH	
5	1	AT01-5010-100	main landing gear axle	
- 6	1	AT01-5020-352	torque plate Cleveland RH	Cleveland
		AT01-5020-359	torque plate Grove RH	Grove
7	1	AT01-5020-351	torque plate Cleveland LH	Cleveland
		AT01-5020-358	torque plate Grove LH	Grove
8	8	1809037_08048	bolt (LN 9037 M8x48)	
9	2	AT01-5020-202	spacer bushing	
10	1	AT01-5040-001	main wheel Cleveland (incl. rim, tire and brake disc)	Cleveland
		AT01-5040-003	main wheel Grove (incl. rim, tire and brake disc)	Grove
11	1	AT01-5020-201	axle nut	
12	1	1800094_3,2x63	split pin (ISO 1234 3,2x63)	
13	AR	1800988_8/0,05	adjusting washer (as required)	
14	1	1800094_2x40	split pin (ISO 1234 2x40)	
15	1	AT01-5030-102	bolt	
16	3	18029679M6	rivet nut (LN 29679 M6 / incl. in AT01-5030-003 & AT01-5030-004)	
17	6	1807337_3,2x6 ES/ES	rivet (ISO 15984 3,2x6 A2/A2 / incl. in AT01-5030-003 & AT01-5030-004)	

- Item not illustrated

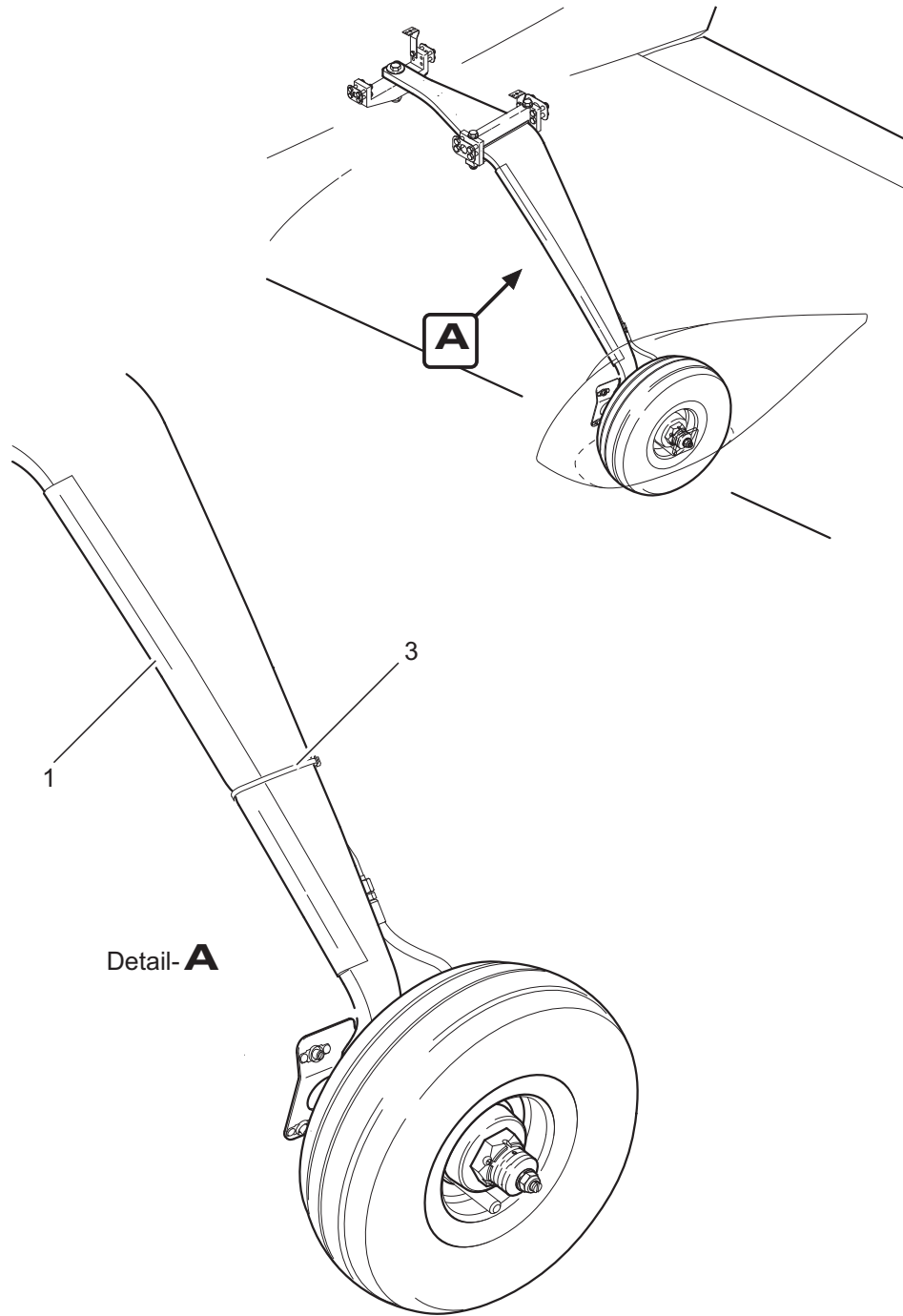
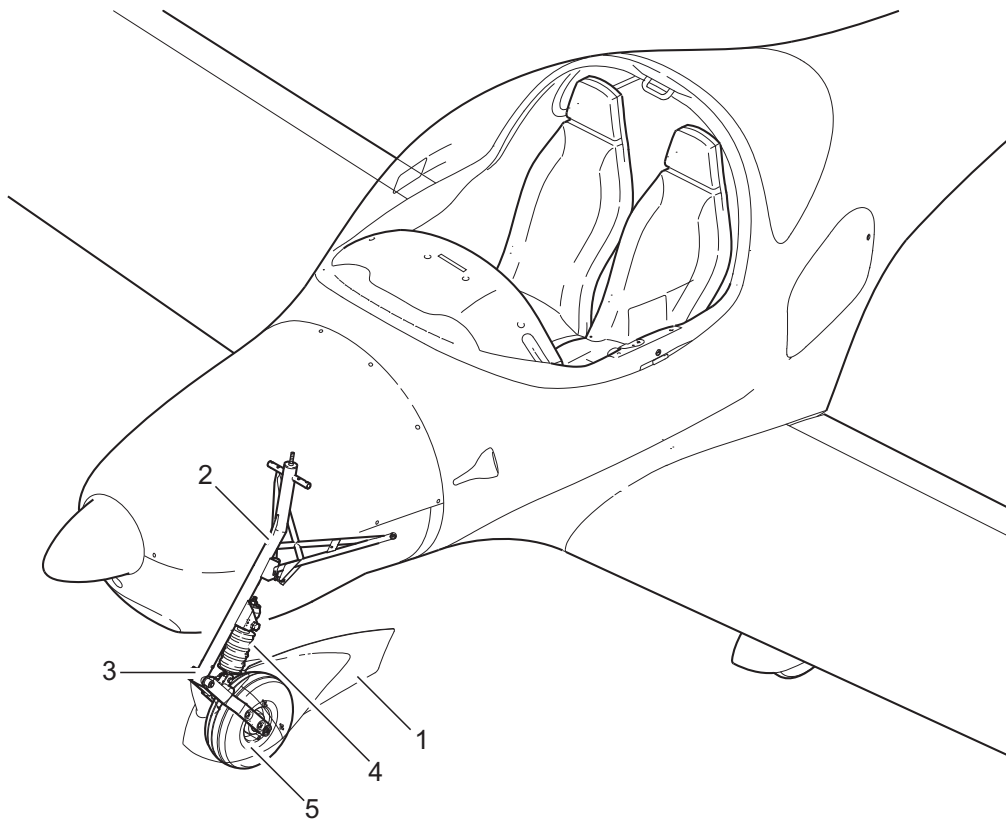




Fig. Item	QTY	Part Number	Nomenclature	Effectivity
5			Main Gear Leg Protection	
	1	1	AT01-5030-104	leg protection
	-2	AR	AT01-1960-176	construction glue
	3	1	AT01-4530-910	tightening strap
	-4	AR	AT01-1440-178	leg protection foil (self-adhesive / alternative to items 1-3)



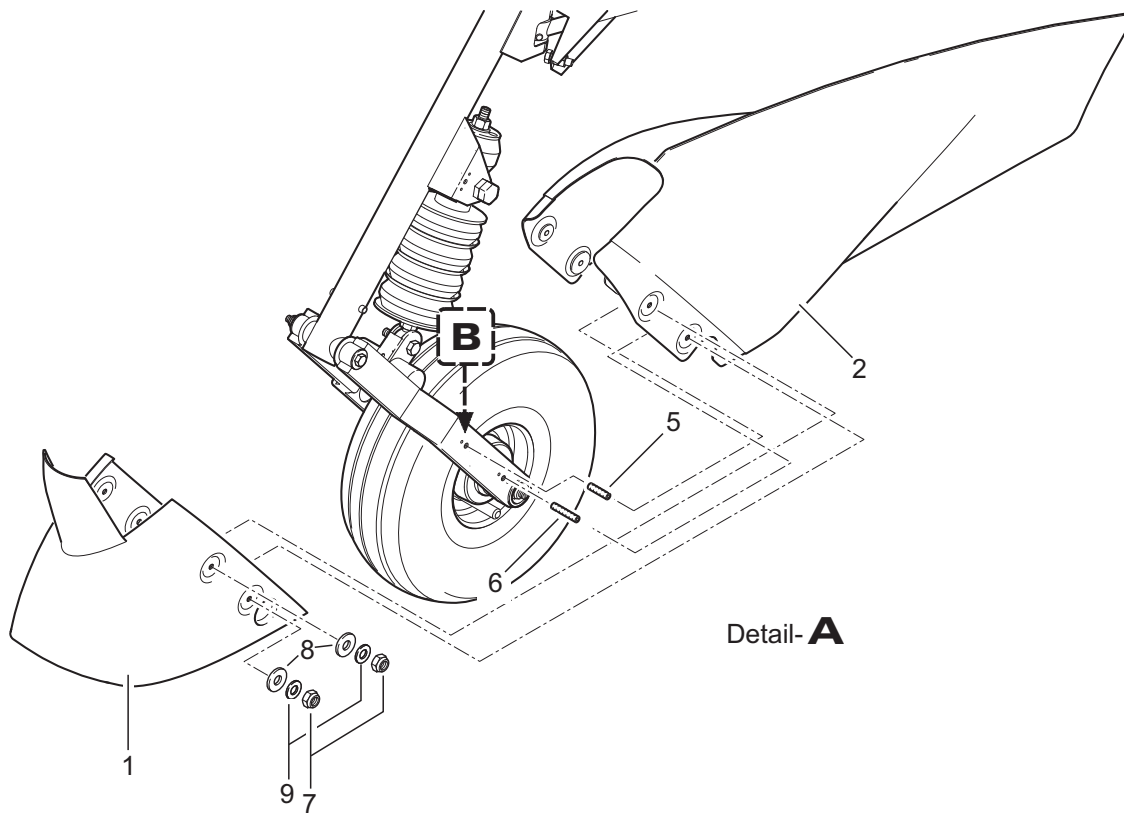
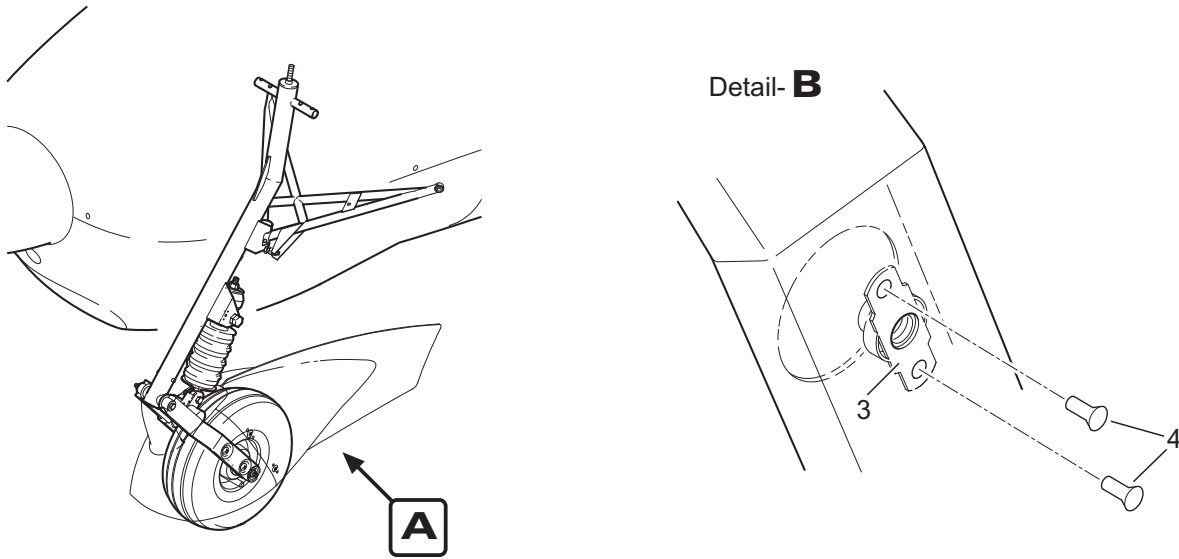
**NOSE GEAR**



Nose Gear - General  
Figure 1

Fig. Item	QTY	Part Number	Nomenclature	Effectivity
1			Nose Gear - General	
	1		Nose Gear Fairing Installation (refer to 32-20-00, figure 2A for details)	"High Speed"
	1		Nose Gear Fairing Installation (refer to 32-20-00, figure 2B for details)	"Soft Field"
	2		Nose Gear Strut Installation (refer to 32-20-00, figure 3 for details)	
	3		Nose Gear Fork/Damper Installation (refer to 32-20-00, figure 4 for details)	
	4		Damper Assembly (refer to 32-20-00, figure 5A for details)	AT01-100
	4		Damper Assembly (refer to 32-20-00, figure 5B for details)	AT01-200
	5		Nose Gear Wheel Installation (refer to 32-20-00, figure 6A for details)	Beringer
	5		Nose Gear Wheel Installation (refer to 32-20-00, figure 6B for details)	Cleveland/ Grove

- Item not illustrated



**EFFECTIVITY**

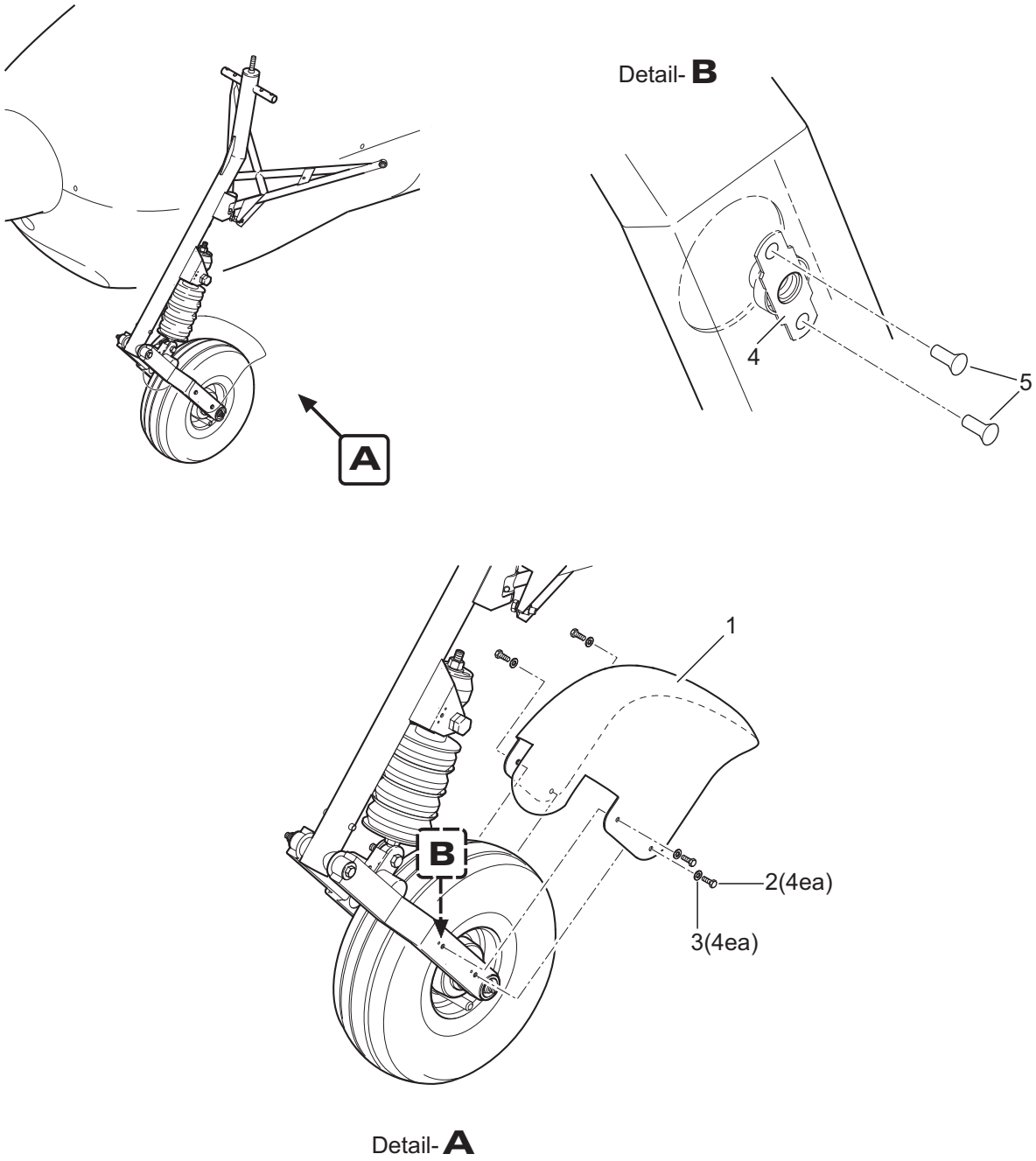
Aircraft equipped with nose gear fairing "High Speed"

Nose Gear Fairing Installation  
Figure 2A

Fig. Item	QTY	Part Number	Nomenclature	Effectivity
2A			Nose Gear Fairing Installation	"High Speed"
1	1	AT01-5160-007-070	nose gear fairing "High Speed" forepart	AT01-100
		AT01-5160-010-070	nose gear fairing "High Speed" forepart (with cutout for reinforced nose wheel fork AT01-5110-005)	AT01-200 <sup>1)</sup>
2	1	AT01-5160-008-070	nose gear fairing "High Speed" rear part	
3	4	18029679M6	rivet nut (LN 29679 M6)	
4	8	1807337_3,2x6 ES/ES	rivet (ISO 15984 3,2x6 A2/A2)	
<u>Option A: Wheel fairing installation with steel washers</u>				steel washers
5	2	1800913_M06x25	threaded pin (ISO 4026 M6x25)	
6	2	1800913_M06x30	threaded pin (ISO 4026 M6x30)	
7	4	1800985_M6	locknut (ISO 10511 M6)	
8	4	1809021_6,4	washer (ISO 7093 6,4x18)	
9	-	-	-	
<u>Option B: Wheel fairing installation with polyamide washers</u>				PA washers
5	2	1800913_M06x30	threaded pin (ISO 4026 M6x30)	
6	2	1800913_M06x35	threaded pin (ISO 4026 M6x35)	
7	4	1800985_M6	locknut (ISO 10511 M6)	
8	4	1809021_6,4_PA	washer (ISO 7093 6,4x18 polyamide)	
9	4	1800125_6,4	washer (ISO 7089 6,4x12)	
<u>Service Kits &amp; Tools</u>				
		AT01-5160-009-096	nose gear fairing "High Speed" (incl. AT01-5160-007 & AT01-5160-008 & mounting material)	

<sup>1)</sup> Refer to SB-AT01-037 for installation of the reinforced nose wheel fork on the AT01-100.

- Item not illustrated



**EFFECTIVITY**

Aircraft equipped with nose gear fairing "Soft Field"

Nose Gear Fairing Installation  
Figure 2B

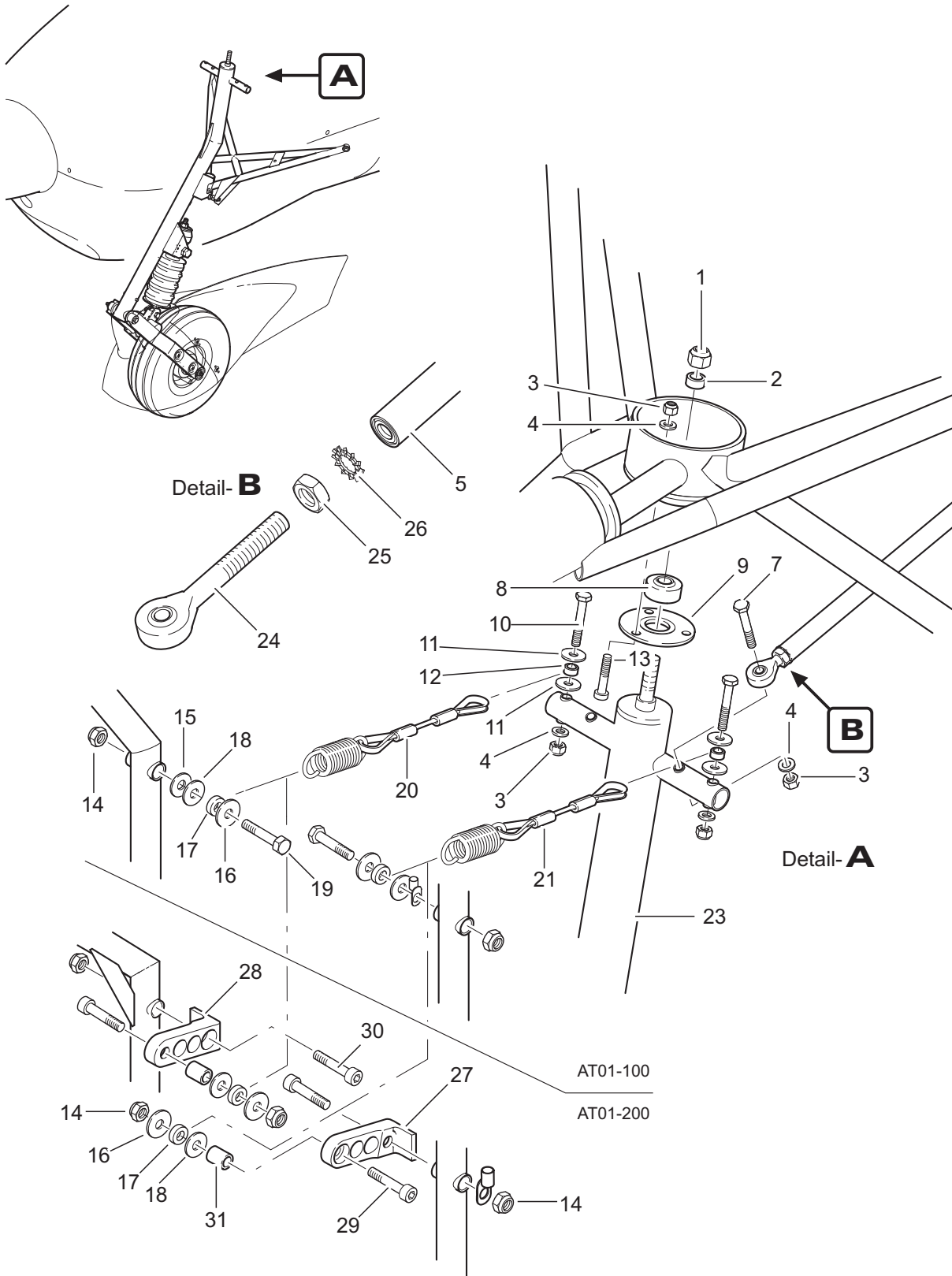


Fig. Item	QTY	Part Number	Nomenclature	Effectivity
2B			Nose Gear Fairing Installation	"Soft Field"
1	1	AT01-5160-006-070	nose gear fairing "Soft Field"	
2	4	1807380_6x20 ULF	bolt (ISO 7380 M6x20 ULF)	
3	4	1809021_6,4_PA	washer (ISO 7093 6,4x18 polyamide)	
4	4	18029679M6	rivet nut (LN 29679 M6)	
5	8	1807337_3,2x6 ES/ES	rivet (ISO 15984 3,2x6 A2/A2)	

Service Kits & Tools

AT01-5160-006-096	nose gear fairing "Soft Field" (incl. mounting material)
-------------------	---

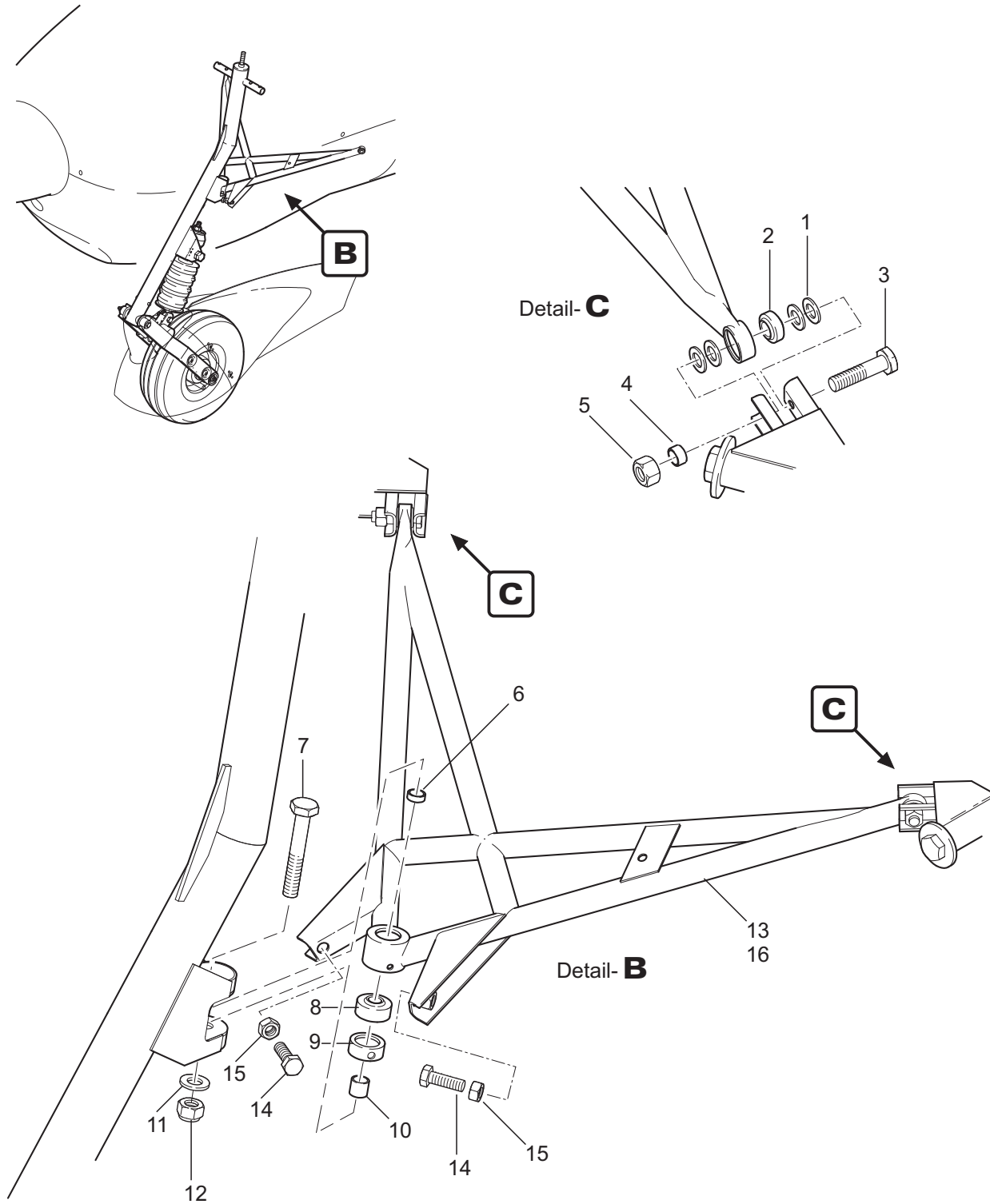
- Item not illustrated



Nose Gear Strut Installation  
Figure 3 (1)

Fig. Item	QTY	Part Number	Nomenclature	Effectivity
3 (1)			Nose Gear Strut Installation	
1	1	1800985_M10	locknut (ISO 10511 M10)	
2	1	AT01-5110-120	spacer sleeve (upper bearing)	
3	7	1800985_M6	locknut (ISO 10511 M6)	
4	7	1800125_6,4	washer (ISO 7089 6,4x12)	
5	1	AT01-5120-002	handlebar LH	
-6	1	AT01-5120-004	handlebar RH	
7	2	1809037_06040	bolt (LN 9037 M6x40)	
8	1	AT01-1850-103	bearing	
9	1	AT01-5110-105	bearing ring	
10	2	1809037_06040	bolt (LN 9037 M6x40)	
11	4	1809021_6,4	washer (ISO 7093 6,4x18)	
12	2	AT01-4510-125	spacer sleeve	
13	3	1806912_M6x30	bolt (DIN 6912 M6x30 8.8)	
14	2/4	1800985_M8	locknut (ISO 10511 M8)	
15	1	1800125_8,4	washer (ISO 7089 8,4x16)	AT01-100
16	2	1809021_8,4	washer (ISO 7093 8,4x24)	
17	2	AT01-5120-102	spacer sleeve	
18	2	AT01-4540-147	washer	
19	2	1800931_M8x40	bolt (ISO 4014 M8x40 8.8)	AT01-100
20	1	AT01-5120-008	centering cable RH (incl. centering spring)	
21	1	AT01-5120-007	centering cable LH (incl. centering spring)	
22	-	-	-	
23	1	AT01-5110-001	nose gear leg	
24	2	AT01-1850-120	swivel head	
25	2	1800936_M8	nut (ISO 4035 M8)	
26	2	1806797_8,4	tooth washer (DIN 6797 8,4x15)	
27	1	AT01-5120-110	mounting bracket LH	AT01-200
28	1	AT01-5120-111	mounting bracket RH	AT01-200
29	2	1807984_8x40	bolt (ISO 14580 M8x40 8.8)	AT01-200
30	2	1800912_M8x35	bolt (ISO 4762 M8x35 8.8)	AT01-200
31	2	AT01-5120-109	spacer sleeve	AT01-200

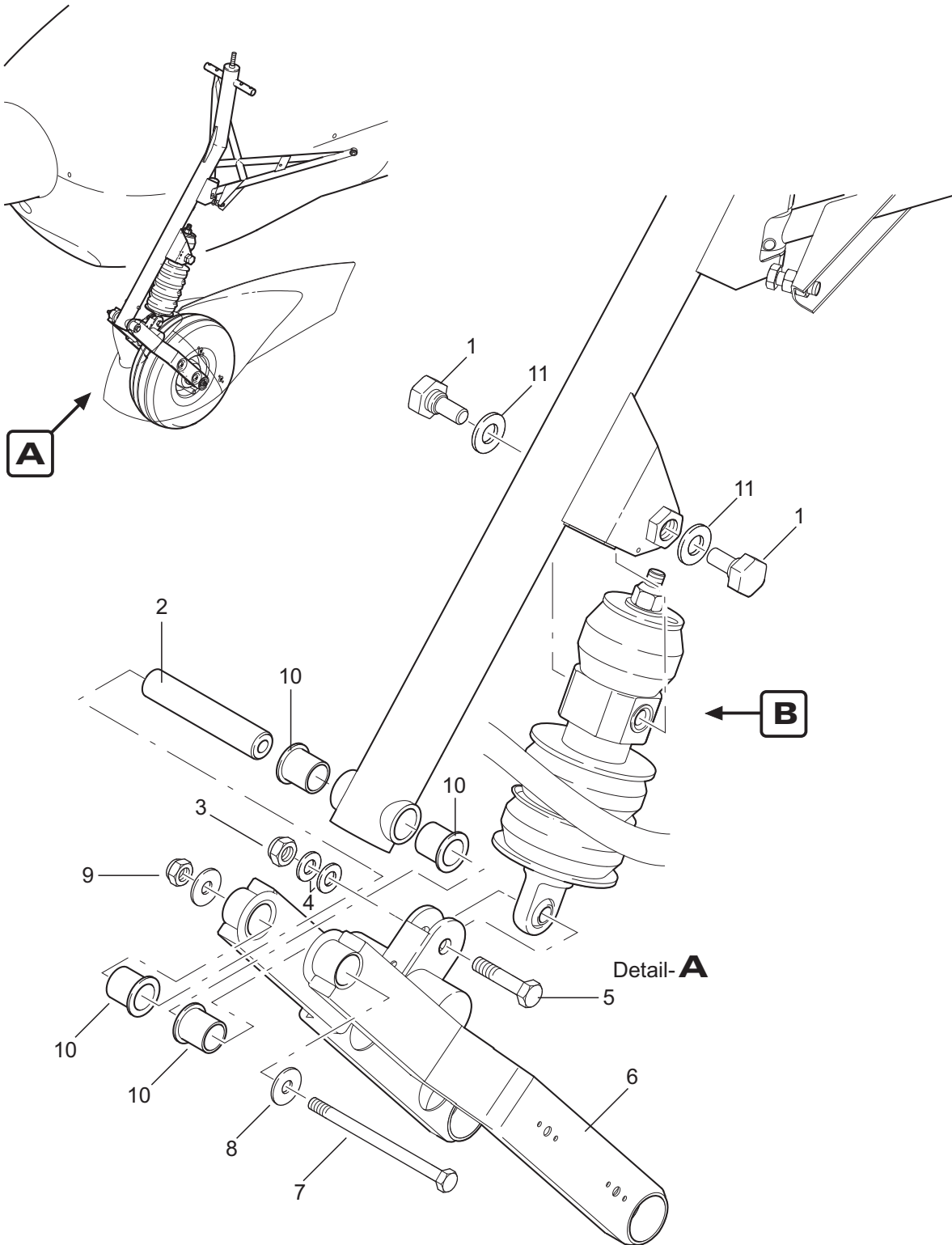
- Item not illustrated



Nose Gear Strut Installation  
Figure 3 (2)

Fig. Item	QTY	Part Number	Nomenclature	Effectivity
3 (2)			Nose Gear Strut Installation	
1	8	1800988_8/1	adjusting washer (DIN 988 8x14x1)	
2	2	AT01-1850-104	bearing	
3	2	1809037_08032	bolt (LN 9037 M8x32)	
4	2	AT01-4510-127	spacer sleeve	
5	2	1800985_M8	locknut (ISO 10511 M8)	
6	1	AT01-5130-101	upper bearing sleeve	
7	1	1809037_10048	bolt (LN 9037 M10x48)	
8	1	AT01-1850-103	bearing	
9	1	AT01-5130-103	bearing ring	
	3	1807337_4,0x6 ES/ES	rivet (ISO 15984 A 4x6 A2/A2)	
10	1	AT01-5130-100	lower bearing sleeve	
11	1	1800125_10,5	washer (ISO 7089 10,5x20)	
12	1	1800985_M10	locknut (ISO 10511 M10)	
13	1	AT01-5130-001	nose gear leg support brace	
14	2	1800933_M8x25	bolt (ISO 4017 M8x25 8.8)	
15	2	1800934_M8	nut (ISO 4032 M8)	
16	1	AT01-5130-003	nose gear leg support brace assembly (including items 1-5, 8, 9, 13-15)	

- Item not illustrated

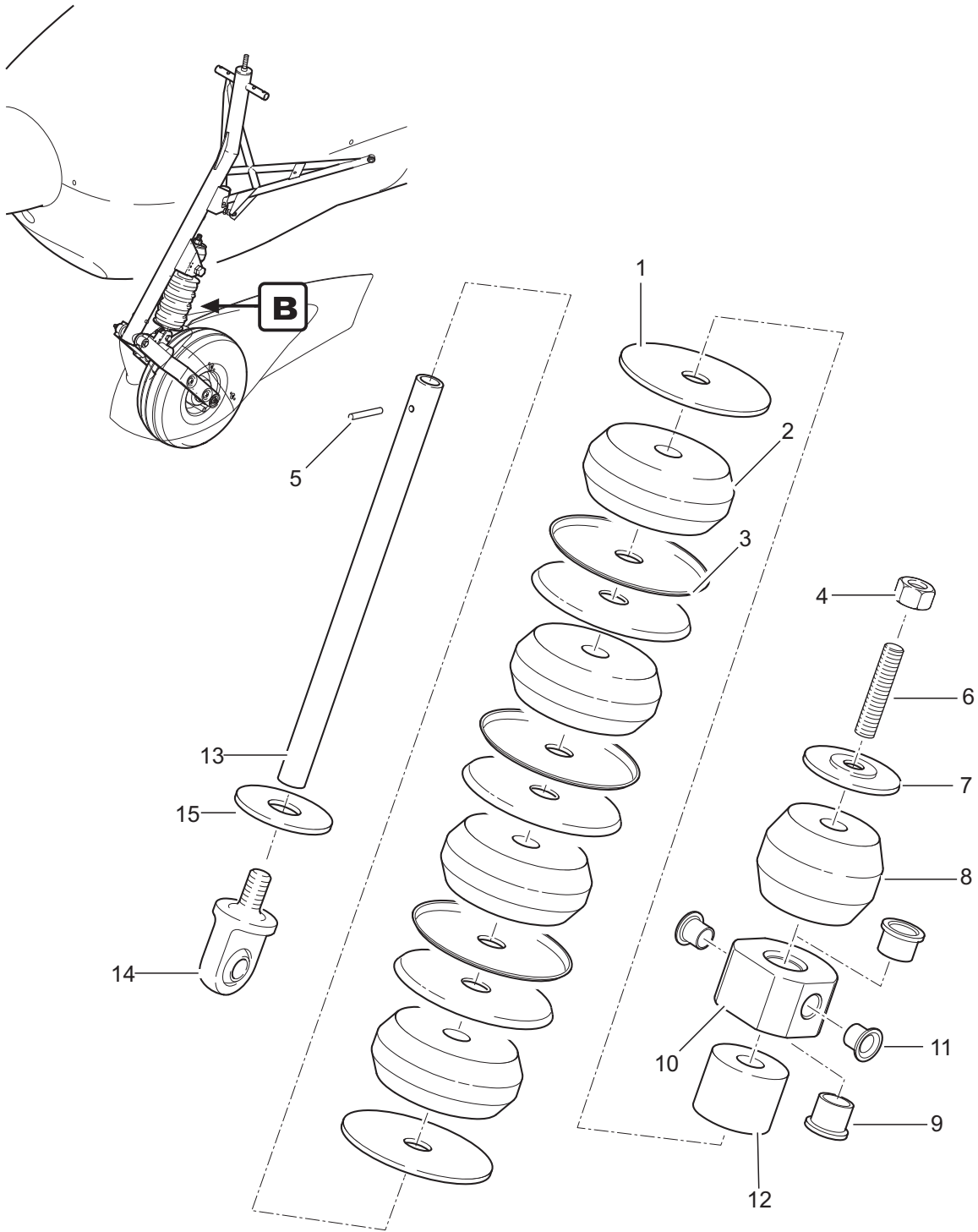


Nose Gear Fork / Damper Installation  
Figure 4

Fig. Item	QTY	Part Number	Nomenclature	Effectivity
4			Nose Gear Fork / Damper Installation	
1	2	AT01-5110-111	bolt	
2	1	AT01-5110-102	nose gear bearing shaft	
3	1	1800985_M10	locknut (ISO 10511 M10)	
4	2	1800125_10,5	washer (ISO 7089 10,5x20)	
5	1	1809037_10040	bolt (LN 9037 M10x40)	
6	1	AT01-5110-002	nose gear fork	AT01-100
		AT01-5110-005	nose gear fork (reinforced)	AT01-200 <sup>1)</sup>
7	1	1800931_M8x110	bolt (ISO 4014 M8x110 8.8)	
8	2	1809021_8,4	washer (ISO 7093 8,4x24)	
9	1	1800985_M8	locknut (ISO 10511 M8)	
10	4	1850022	collar bushing	
11	2	1800125_15	washer (ISO 7089 15x28)	

<sup>1)</sup> Refer to SB-AT01-037 for installation of the reinforced nose wheel fork on the AT01-100.

- Item not illustrated



Detail- **B**

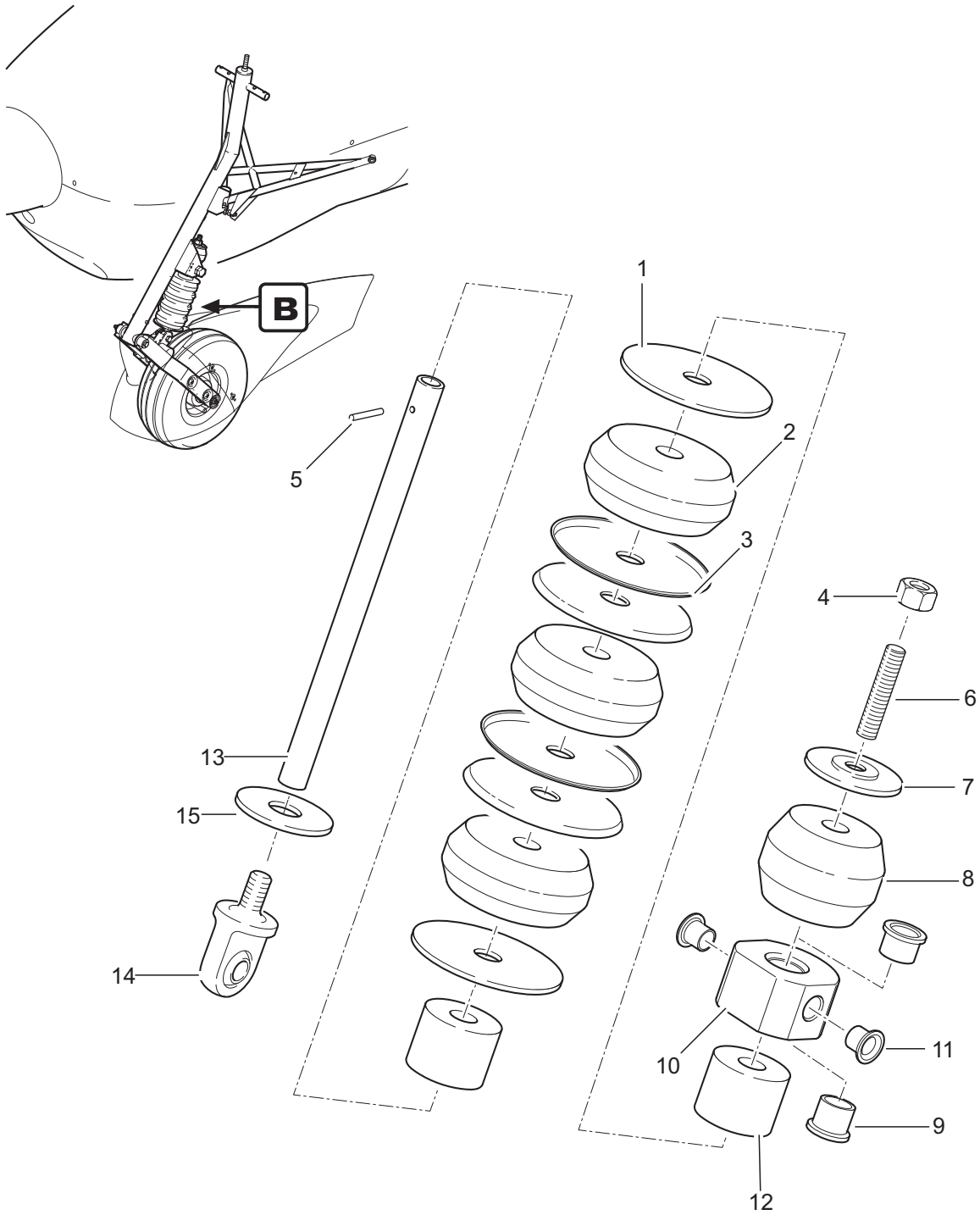


Fig. Item	QTY	Part Number	Nomenclature	Effectivity
5A			Damper Assembly	AT01-100
1	2	AT01-5140-102	damper plate	
2	4	AT01-5140-104	main rubber element	
3	6	AT01-5140-103	plate	
4	1	1800985_M10	locknut (ISO 10511 M10)	
5	1	1801473 FST 3x12	grooved pin (DIN 1473 3x12)	
6	1	AT01-5140-106	threaded insert	
7	1	AT01-5140-113	pressure disc	
8	1	AT01-5140-105	rebound rubber element	
9	2	1850033	collar bushing	
10	1	AT01-5140-108	glide element	
11	2	1850013	collar bushing	
12	1	AT01-5140-109	spacer	
13	1	AT01-5140-101	guide tube	
14	1	AT01-5140-005	swivel head	
15	1	AT01-5140-112	pressure disc	

Service Kits & Tools

AT01-5140-001-096	damper assembly (4 rubber elements / including items 1-15)
-------------------	--

- Item not illustrated



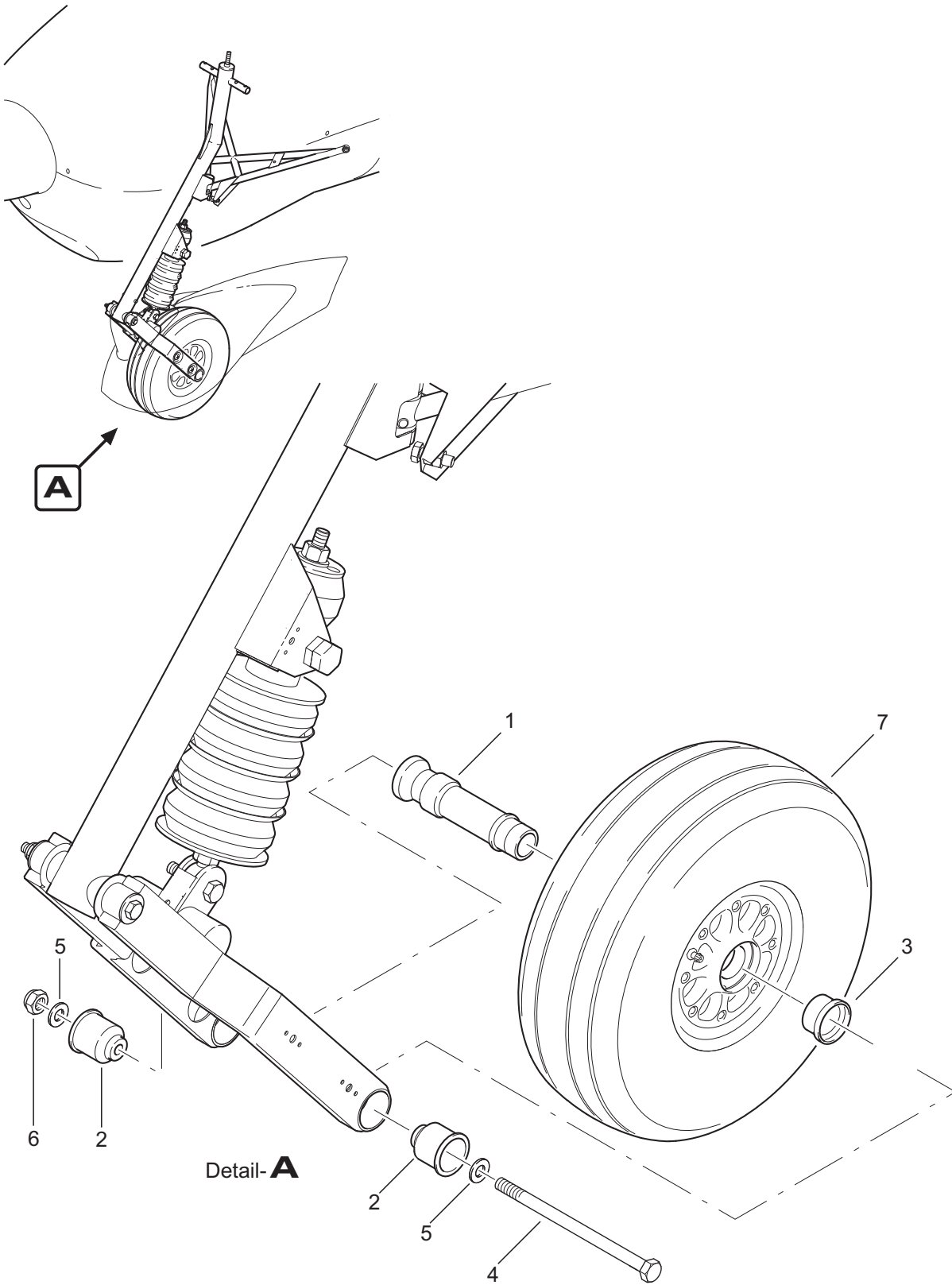
Detail- **B**

Fig. Item	QTY	Part Number	Nomenclature	Effectivity
5B			Damper Assembly	AT01-200 <sup>1)</sup>
1	2	AT01-5140-114	damper plate	
2	3	AT01-5140-104	main rubber element	
3	4	AT01-5140-103	plate	
4	1	1800985_M10	locknut (ISO 10511 M10)	
5	1	1801473 FST 3x12	grooved pin (DIN 1473 3x12)	
6	1	AT01-5140-106	threaded insert	
7	1	AT01-5140-113	pressure disc	
8	1	AT01-5140-105	rebound rubber element	
9	2	1850033	collar bushing	
10	1	AT01-5140-108	glide element	
11	2	1850013	collar bushing	
12	2	AT01-5140-109	spacer	
13	1	AT01-5140-101	guide tube	
14	1	AT01-5140-005	swivel head	
15	1	AT01-5140-112	pressure disc	

Service Kits & Tools

AT01-5140-006      damper assembly (3 rubber elements / including items 1-15)

<sup>1)</sup> Refer to SB-AT01-037 for installation of the reinforced nose wheel fork on the AT01-100.



Detail- **A**

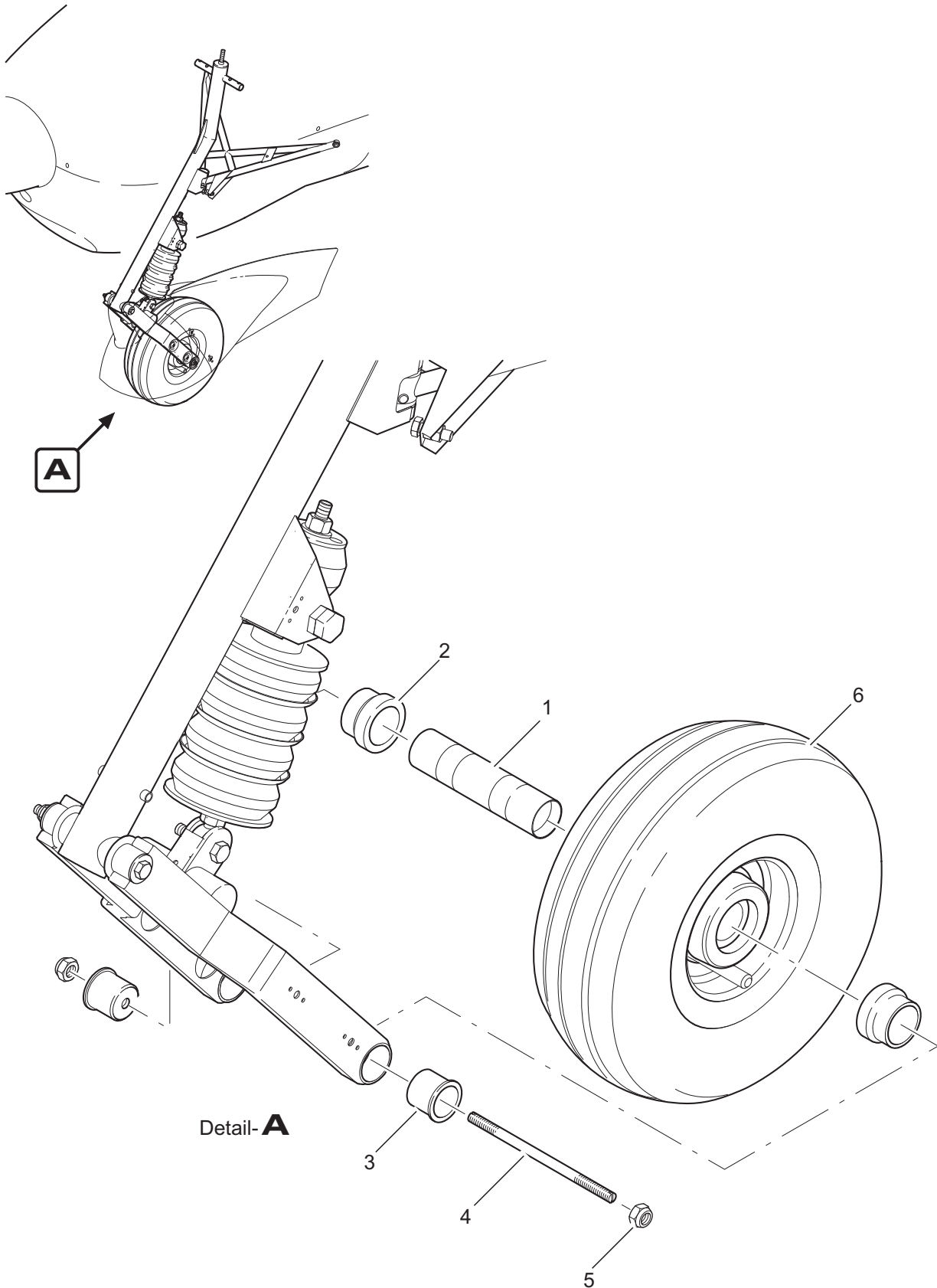
**EFFECTIVITY**

Aircraft equipped  
with Beringer wheels

Nose Gear Wheel Installation  
Figure 6A

Fig. Item	QTY	Part Number	Nomenclature	Effectivity
6A			Nose Gear Wheel Installation	Beringer
	1	AT01-5150-130	nose landing gear axle	
	2	AT01-5150-131	bearing race	
	3	AT01-5150-132	spacer sleeve	
	4	1800931_M8x140	bolt (ISO 4014 M8x140 8.8)	
	5	1800125_8,4	washer (ISO 7089 8,4x16)	
	6	1800985_M8	locknut (ISO 10511 M8)	
	7	AT01-5150-007	nose wheel Beringer RA-002 (incl. rim and tire / old version with central spacer / replaced by RA-014)	
		1 AT01-5150-008	nose wheel Beringer RA-014 (incl. rim and tire / new version without central spacer / replaces RA-002)	

- Item not illustrated



Detail- **A**

**EFFECTIVITY**

Aircraft equipped  
with Cleveland/  
Grove wheels

Nose Gear Wheel Installation  
Figure 6B

Fig. Item	QTY	Part Number	Nomenclature	Effectivity
6B			Nose Gear Wheel Installation	Cleveland/Grove
	1	AT01-5150-100	nose landing gear axle	
	2	AT01-5150-102	spacer sleeve	
	2	AT01-5150-101	bearing race	
		AT01-5150-131	bearing race (optional)	
	4	AT01-5150-103	axle bolt	
	5	1800980_M08_10	locknut (ISO 7042 M8 class 10)	
	6	AT01-5150-003	nose wheel Cleveland (incl. rim and tire)	Cleveland
		AT01-5150-004	nose wheel Grove (incl. rim and tire)	Grove

- Item not illustrated





**WHEELS AND BRAKES**

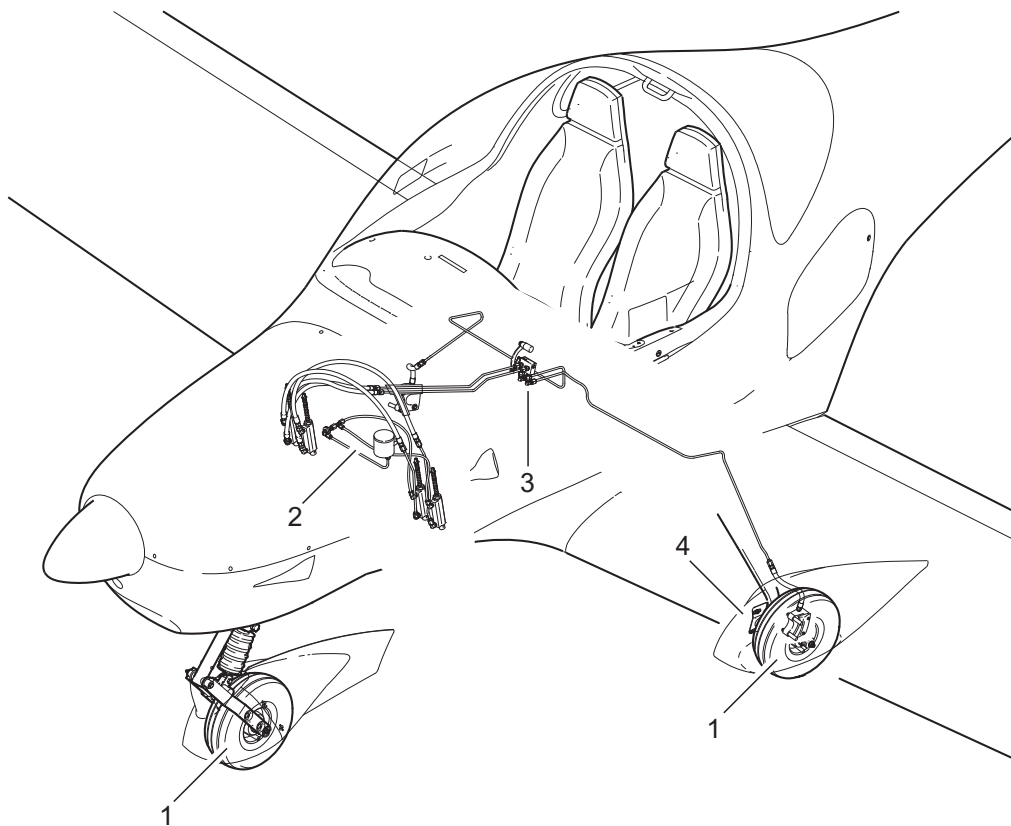
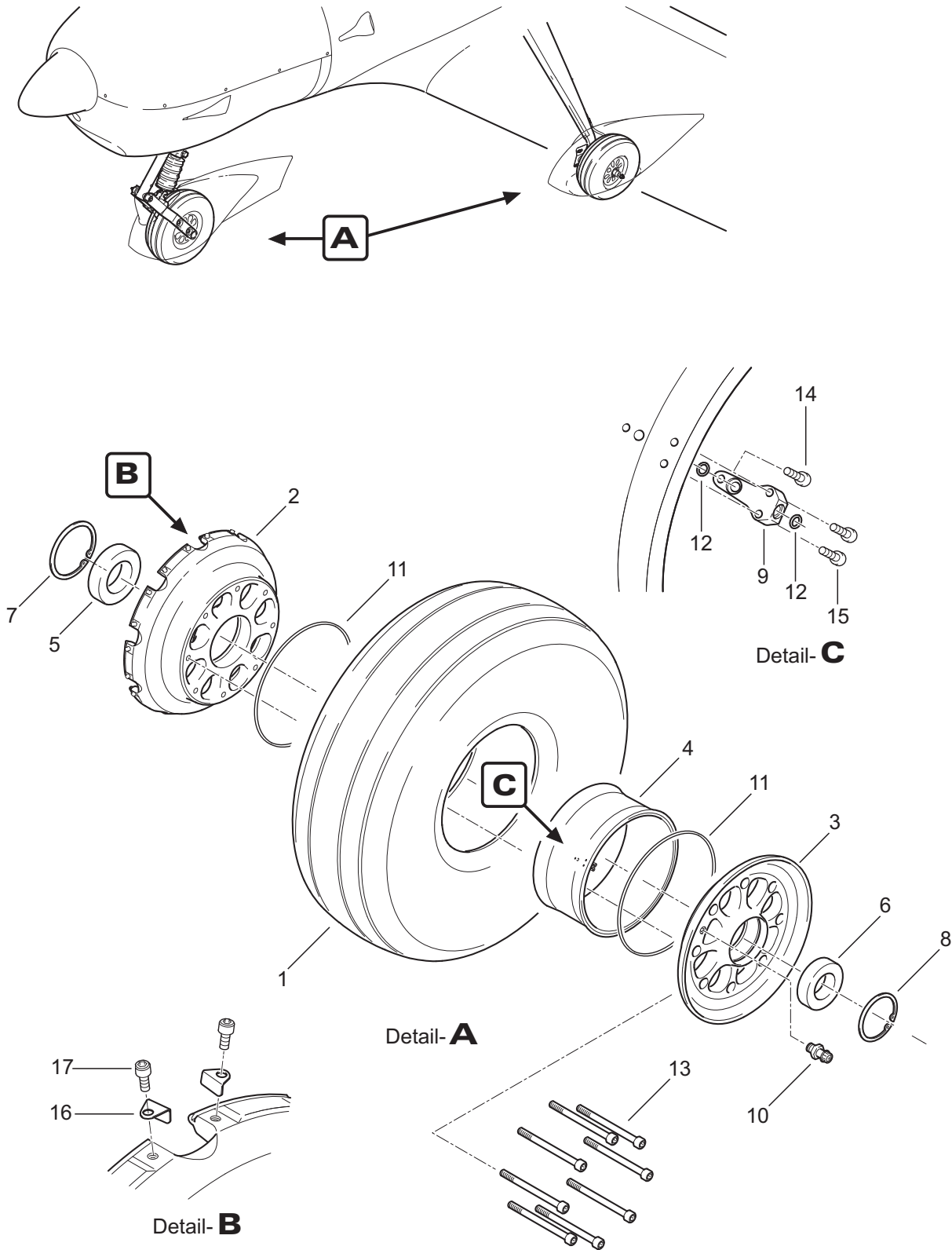


Fig. Item	QTY	Part Number	Nomenclature	Effectivity
1			Wheels & Brakes - General	
	1		Wheel Assembly (refer to 32-40-00, figure 2A for details)	Beringer RF-005 / RA-002
	1		Wheel Assembly (refer to 32-40-00, figure 2B for details)	Beringer RF-018 / RA-014
	1		Wheel Assembly (refer to 32-40-00, figure 2C for details)	Cleveland/Grove
	2		Brake System Installation - Front (refer to 32-40-00, figure 3A for details)	Beringer
	2		Brake System Installation - Front (refer to 32-40-00, figure 3B for details)	Cleveland/Grove
	3		Brake System Installation - Rear (refer to 32-40-00, figure 4A for details)	Beringer
	3		Brake System Installation - Rear (refer to 32-40-00, figure 4B for details)	Cleveland/Grove
	4		Brake Caliper Assembly (refer to 32-40-00, figure 5A for details)	Beringer
	4		Brake Caliper Assembly (refer to 32-40-00, figure 5B for details)	Cleveland/Grove

- Item not illustrated

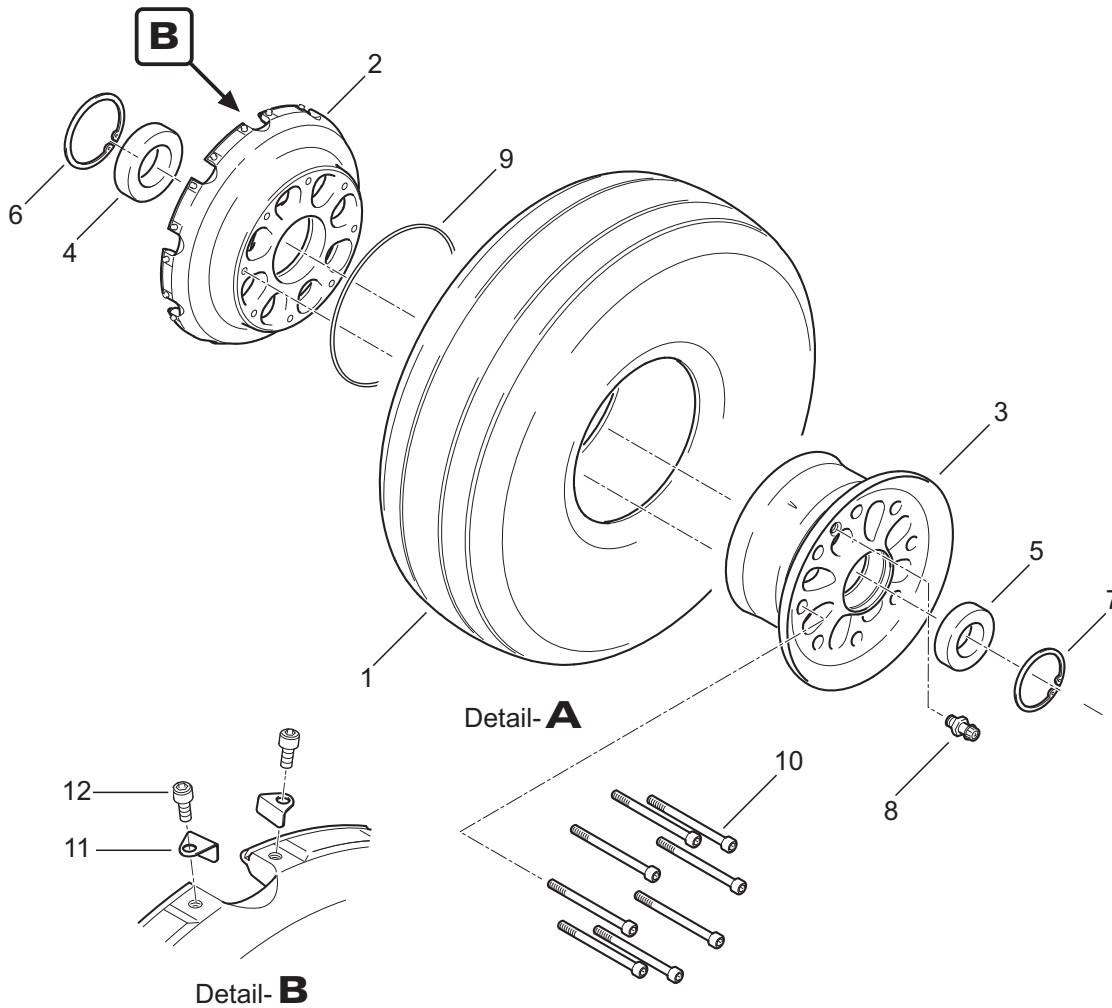
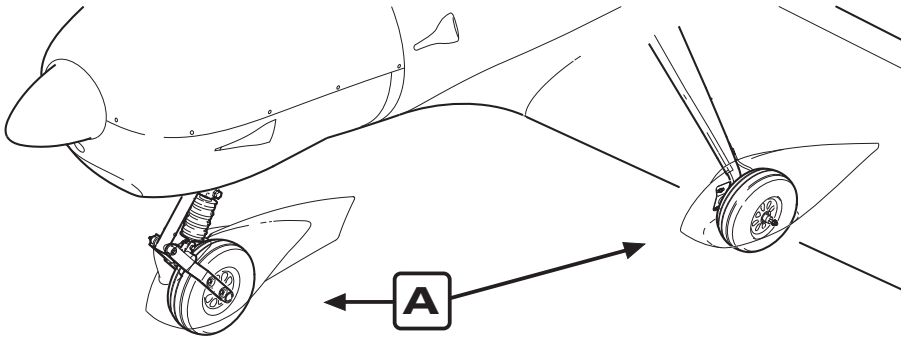


**EFFECTIVITY**  
 Aircraft equipped  
 with Beringer wheels  
 RF-005 / RA-002

Wheel Assembly  
 Figure 2A

Fig. Item	QTY	Part Number	Nomenclature	Effectivity
2A			Wheel Assembly	Beringer RF-005 / RA-002
	1	AT01-4590-101	tire (5.00-5 / 10 ply / tubeless)	
	1	AT01-4590-104	tire (5.00-5 / 8 ply / tubeless / optional)	
	2	AT01-5040-101	inner main wheel half	main wheel
	-2	AT01-5150-133	inner nose wheel half	nose wheel
	3	AT01-5040-102	outer wheel half	
	4	AT01-5040-103	central spacer	
	5	AT01-5040-104	inner bearing	
	6	AT01-5040-105	outer bearing	
	7	AT01-5040-106	inner circlip	
	8	AT01-5040-107	outer circlip	
	9	AT01-5040-108	connector	
	10	AT01-5040-109	valve	
	11	AT01-5040-110	large O-ring	
	12	AT01-5040-111	small O-ring	
	13	AT01-5040-112	bolt	
	14	AT01-5040-113	assembly screw	
	15	AT01-5040-114	assembly screw	
	16	AT01-5040-115	clip	main wheel
	17	AT01-5040-116	clip screw	main wheel
<u>Service Kits &amp; Tools</u>				
		AT01-5040-004	main wheel Beringer RF-005 (incl. rim, brake disc & tire)	main wheel
		AT01-5150-007	nose wheel Beringer RA-002 (incl. rim & tire)	nose wheel
		1391108	tire change tool for Beringer wheels	

- Item not illustrated



**EFFECTIVITY**  
Aircraft equipped  
with Beringer wheels  
RF-018 / RA-014

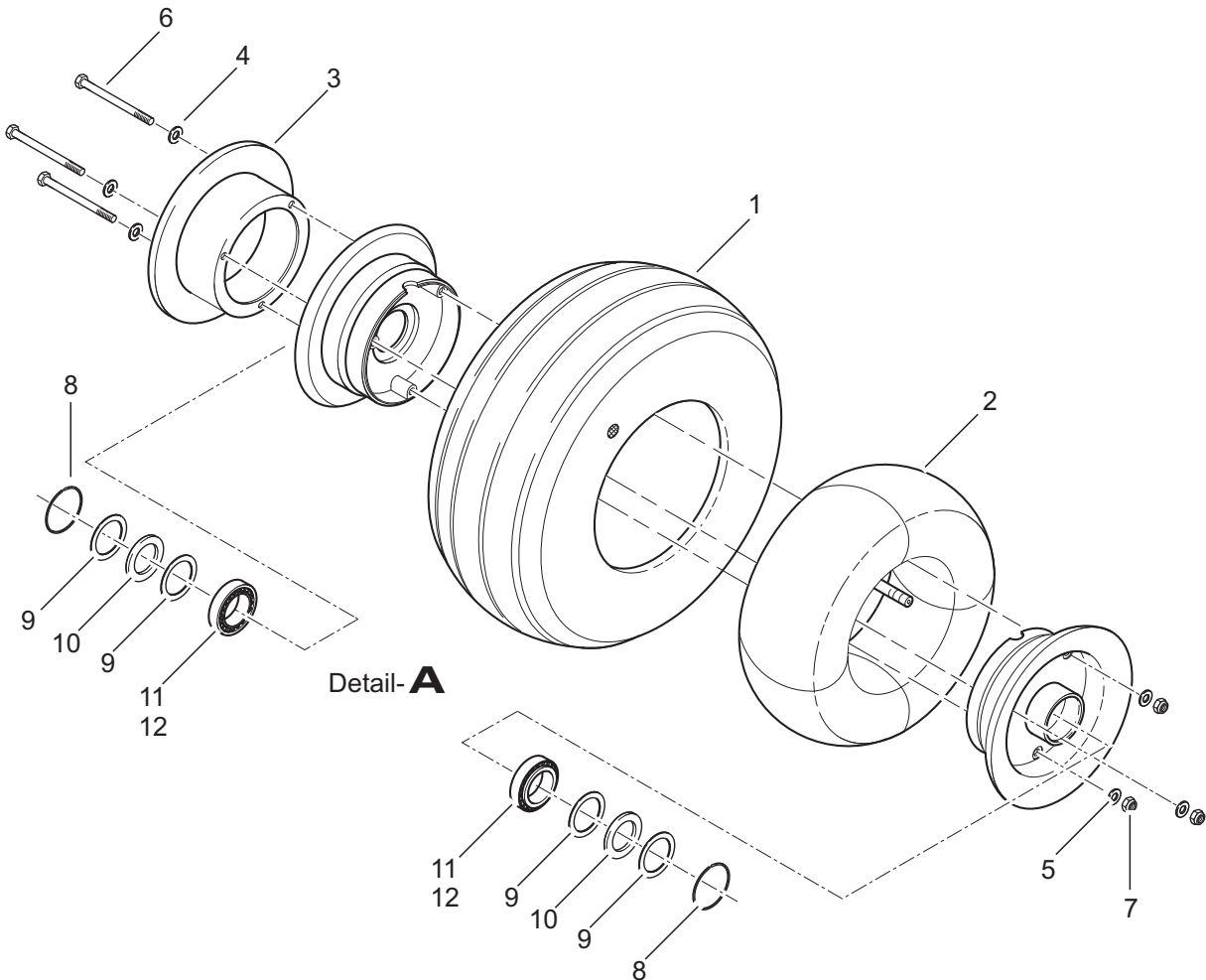
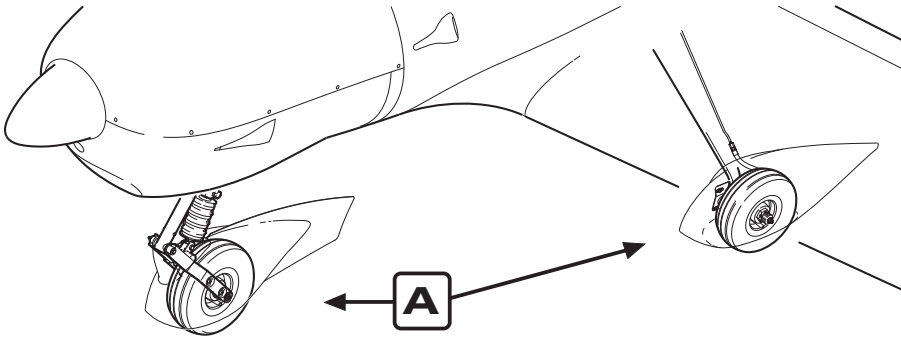
Wheel Assembly  
Figure 2B

Fig. Item	QTY	Part Number	Nomenclature	Effectivity
2B			Wheel Assembly	Beringer RF-018 / RA-014
1	1	AT01-4590-104	tire (5.00-5 / 8 ply / tubeless)	
2	1	AT01-5040-122	inner main wheel half	main wheel
-2	1	AT01-5150-134	inner nose wheel half	nose wheel
3	1	AT01-5040-120	outer wheel half	
4	1	AT01-5040-104	inner bearing	
5	1	AT01-5040-105	outer bearing	
6	1	AT01-5040-106	inner circlip	
7	1	AT01-5040-107	outer circlip	
8	1	AT01-5040-109	valve	
9	1	AT01-5040-110	large O-ring	
10	8	AT01-5040-119	bolt	
11	20	AT01-5040-121	clip	main wheel
12	20	AT01-5040-116	clip screw	main wheel

Service Kits & Tools

AT01-5040-005	main wheel Beringer RF-018 (incl. rim, brake disc & tire)
AT01-5150-008	nose wheel Beringer RA-014 (incl. rim & tire)
1391108	tire change tool for Beringer wheels

- Item not illustrated



**EFFECTIVITY**

Aircraft equipped  
with Cleveland/  
Grove wheels

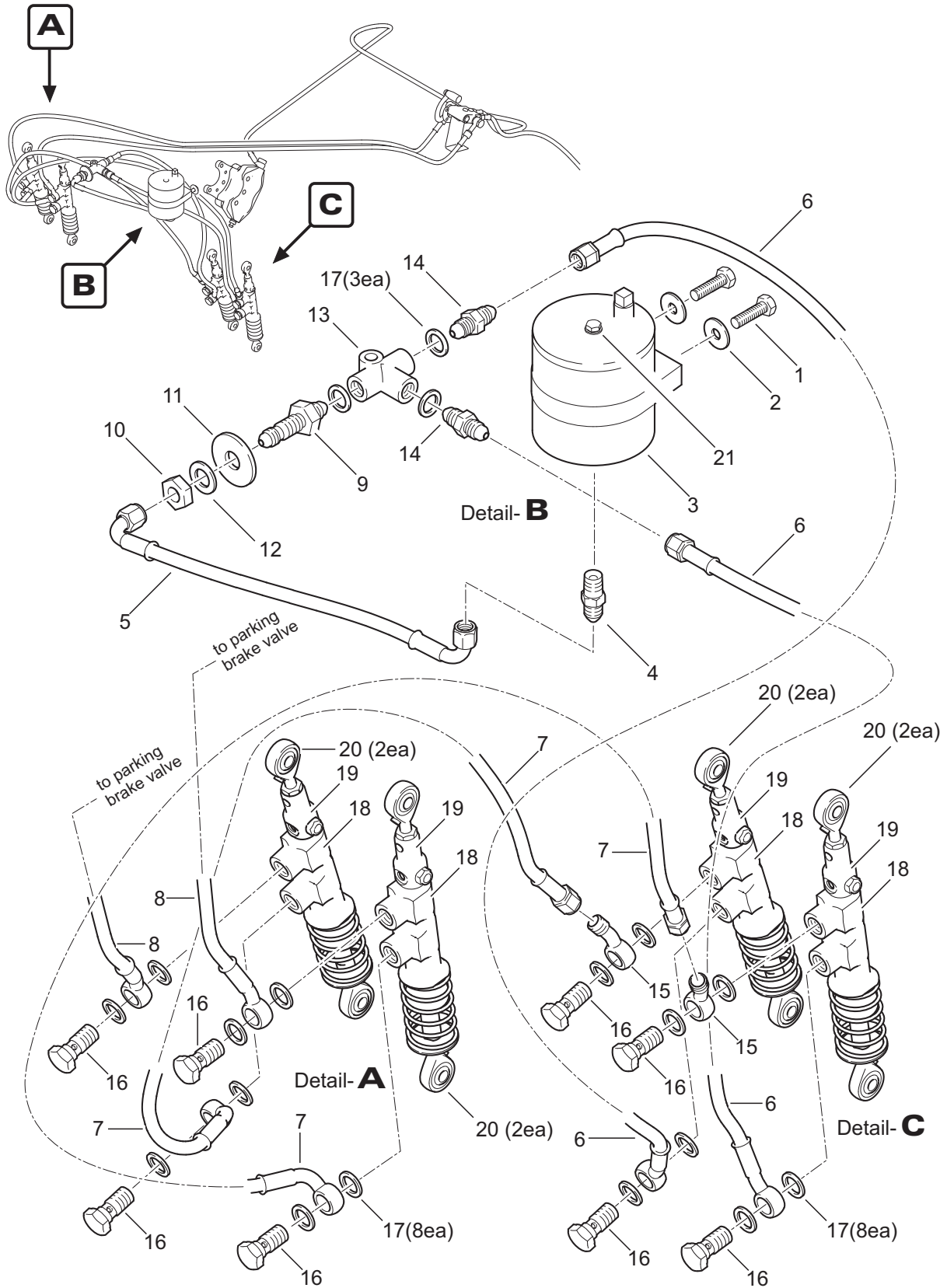
Wheel Assembly  
Figure 2C

**32-40-00**



Fig. Item	QTY	Part Number	Nomenclature	Effectivity
2C			Wheel Assembly	Cleveland/Grove
1	1	AT01-4590-102	tire Michelin	Michelin
		AT01-4590-103	tire Goodyear	Goodyear
2	1	AT01-4590-112	tube Michelin (use with Michelin tires only)	Michelin
		AT01-4590-113	tube Goodyear (use with Goodyear tires only)	Goodyear
		<u>Cleveland wheels</u>		Cleveland
3	1	AT01-5020-100	brake disc	main wheel
4	3	AT01-5020-357	washer (AN960-416L)	nose wheel
5	3	AT01-5020-357	washer (AN960-416L)	
6	3	AT01-5020-355	bolt (AN4-22A)	
7	3	AT01-5020-356	nut (MS21042-4)	
8	2	155-00200	retaining ring	
9	4	153-00800	ring grease seal	
10	2	154-00600	felt grease seal	
11	2	214-00300	cup bearing	main wheel
		AT01-5150-200	cup bearing	nose wheel
12	2	214-00400	cone bearing	main wheel
		AT01-5150-201	cone bearing	nose wheel
		<u>Grove wheels</u>		Grove
3	1	AT01-5020-302	brake disc	main wheel
4	3	AT01-5020-357	washer (AN960-416L)	nose wheel
5	3	AT01-5020-366	washer (AN960-416)	main wheel
		AT01-5020-357	washer (AN960-416L)	nose wheel
6	3	AT01-5020-365	bolt (AN4-23A)	main wheel
		AT01-5020-355	bolt (AN4-22A)	nose wheel
7	3	AT01-5020-370	nut (MS21044-N4)	
8	2	AT01-5020-362	retaining ring	
9	4	AT01-5020-363	ring grease seal	
10	2	AT01-5020-364	felt grease seal	
11	2	AT01-5150-200	cup bearing	
12	2	AT01-5150-201	cone bearing	
		<u>Service Kits &amp; Tools</u>		
		AT01-5040-001	main wheel Cleveland (incl. rim, brake disc, tire & tube)	Cleveland
		AT01-5150-003	nose wheel Cleveland (incl. rim, tire & tube)	Cleveland
		AT01-5040-003	main wheel Grove (incl. rim, brake disc, tire & tube)	Grove
		AT01-5150-004	nose wheel Grove (incl. rim, tire & tube)	Grove

- Item not illustrated

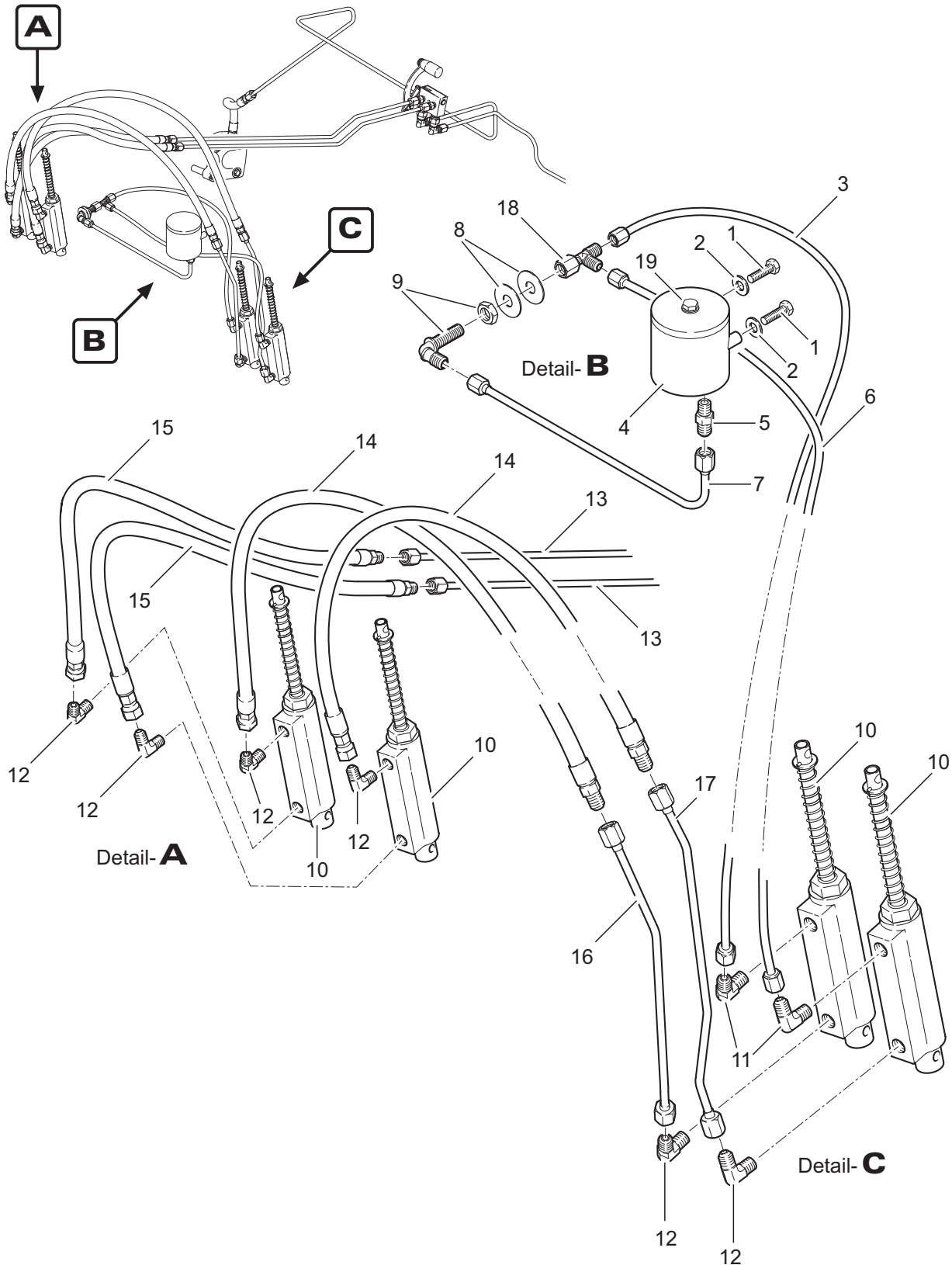


**EFFECTIVITY**  
 Aircraft equipped  
 with Beringer wheels

Brake System Installation - Front  
 Figure 3A

Fig. Item	QTY	Part Number	Nomenclature	Effectivity
3A			Brake System Installation - Front	Beringer
1	2	1800933_M6x20	bolt (ISO 4017 M6x20 8.8)	
2	2	1809021_6,4	washer (ISO 7093 6,4x18)	
3	1	AT01-5020-102	brake fluid reservoir	
4	1	AT01-4520-302	fitting 1/8"NPTF - 3/8"UNF	
5	1	AT01-5020-023	brake hose reservoir / bulkhead	300-366, 368-369
	1	AT01-5020-034	brake hose reservoir / bulkhead (modified firewall)	367, 370-999
6	2	AT01-5020-024	brake hose bulkhead / pilot	
7	2	AT01-5020-027	brake hose pilot / co-pilot	
8	2	AT01-5020-028	brake hose co-pilot / parking brake valve	
9	1	AT01-4520-303	bulkhead fitting	
10	1	AT01-4520-304	bulkhead fitting nut	
11	1	AT01-4540-103	washer (10,5x30x1,5)	
12	1	1800433_10,5	washer (ISO 7092 10,5x18)	
13	1	AT01-4520-286	T-fitting (replaced by item 22)	
14	2	AT01-4520-293	fitting 3/8"UNF (replaced by item 22)	
15	2	AT01-4520-291	banjo fitting 20° 3/8"UNF	
16	8	AT01-4520-294	banjo bolt	
17	19	AT01-4520-295	copper sealing	
18	4	AT01-6040-145	brake master cylinder Beringer	
19	4	AT01-6040-146	extender	
20	8	AT01-6040-147	rod end	
21	1	AT01-5020-623	sealing washer	
-22	1	AT01-4520-374	T-fitting (replaces items 13, 14 and 3x 17)	

- Item not illustrated

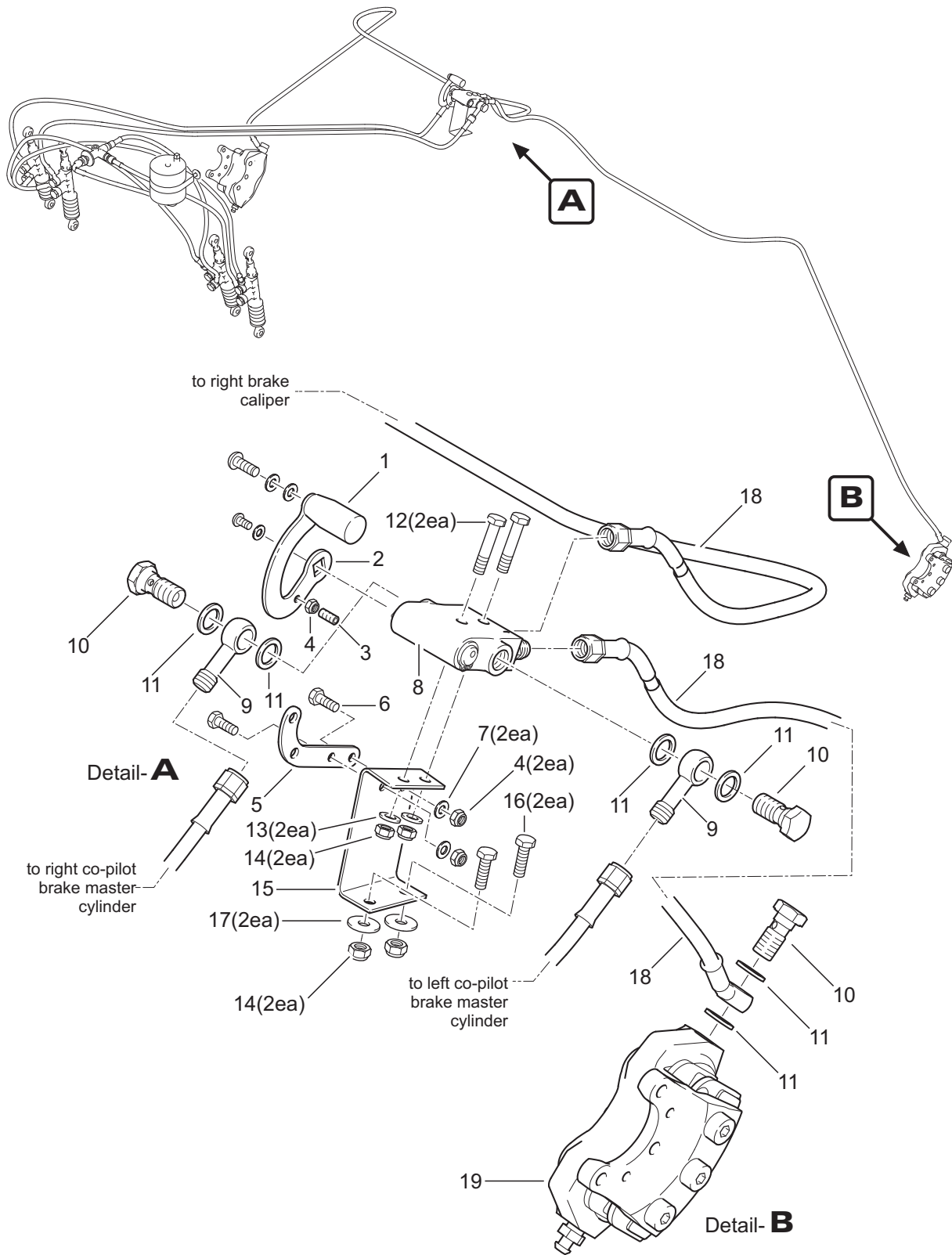


**EFFECTIVITY**  
 Aircraft equipped  
 with Cleveland/  
 Grove wheels

Brake System Installation - Front  
 Figure 3B

Fig. Item	QTY	Part Number	Nomenclature	Effectivity
3B			Brake System Installation - Front	Cleveland/Grove
1	2	1800933_M6x20	bolt (ISO 4017 M6x20 8.8)	
2	2	1809021_6,4	washer (ISO 7093 6,4x18)	
3	1	AT01-4520-420	PTFE hose	
4	1	AT01-5020-102	brake fluid reservoir	
5	1	AT01-4520-235	fitting	
6	1	AT01-4520-420	PTFE hose	
7	1	AT01-5020-002	brake line	300-366, 368-369
		AT01-5020-035	brake line	367, 370-999
		AT01-4520-160	elbow fitting	367, 370-999
8	2	1809022_12,5x35	washer (DIN 9022 12,5x35)	
9	1	AT01-4520-208	bulkhead elbow	
10	4	AT01-6040-106	brake master cylinder Cleveland	Cleveland
- 10	4	AT01-6040-138	brake master cylinder Matco	Matco
11	2	AT01-4520-207	elbow	
12	6	AT01-4520-204	elbow	
13	2	AT01-5020-015	brake line	
14	2	AT01-5020-012	brake hose	
15	2	AT01-5020-013	brake hose	
16	1	AT01-5020-011	brake line RH	
17	1	AT01-5020-009	brake line LH	
18	1	AT01-4520-232	T-fitting	
19	1	AT01-5020-623	sealing washer	

- Item not illustrated

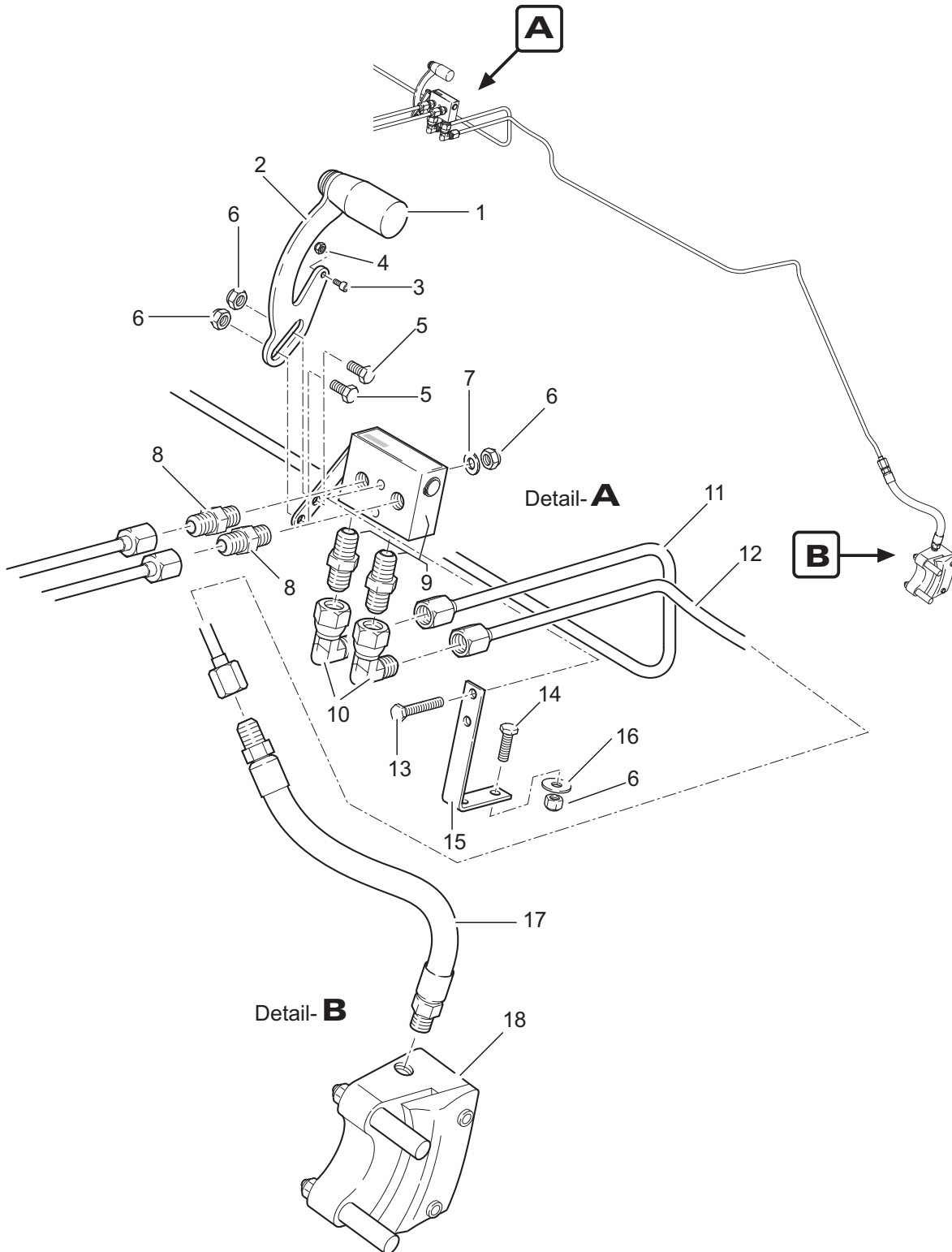


**EFFECTIVITY**  
 Aircraft equipped  
 with Beringer wheels

Brake System Installation - Rear  
 Figure 4A

Fig. Item	QTY	Part Number	Nomenclature	Effectivity
4A			Brake System Installation - Rear	Beringer
1	1	AT01-1860-612	knob	
2	1	AT01-5020-120	parking brake valve lever (contained in parking brake valve)	
3	1	AT01-1860-111	plunger M4x9	
4	3	1800985_M4	locknut (ISO 10511 M4)	
5	1	AT01-5020-121	catch plate	
6	2	1800933_M4x10	bolt (ISO 4017 M4x10 8.8)	
7	2	1800125_4,3	washer (ISO 7089 4,3x9)	
8	1	AT01-5020-154	parking brake valve Beringer (incl. lever)	
9	2	AT01-4520-305	banjo fitting	
10	4	AT01-4520-294	banjo bolt	
11	8	AT01-4520-295	copper sealing	
12	2	1800933_M5x25	bolt (ISO 4017 M5x25 8.8)	
13	2	1800125_5,3	washer (ISO 7089 5,3x10)	
14	4	1800985_M5	locknut (ISO 10511 M5)	
15	1	AT01-5020-119	fixing bracket	
16	2	1800933_M5x16	bolt (ISO 4017 M5x16 8.8)	
17	2	1809021_5,3	washer (ISO 7093 5,3x15)	
18	2	AT01-5020-031	brake hose parking brake valve / brake caliper	
19	2	AT01-5020-033	brake caliper Beringer (modified)	

- Item not illustrated



**EFFECTIVITY**

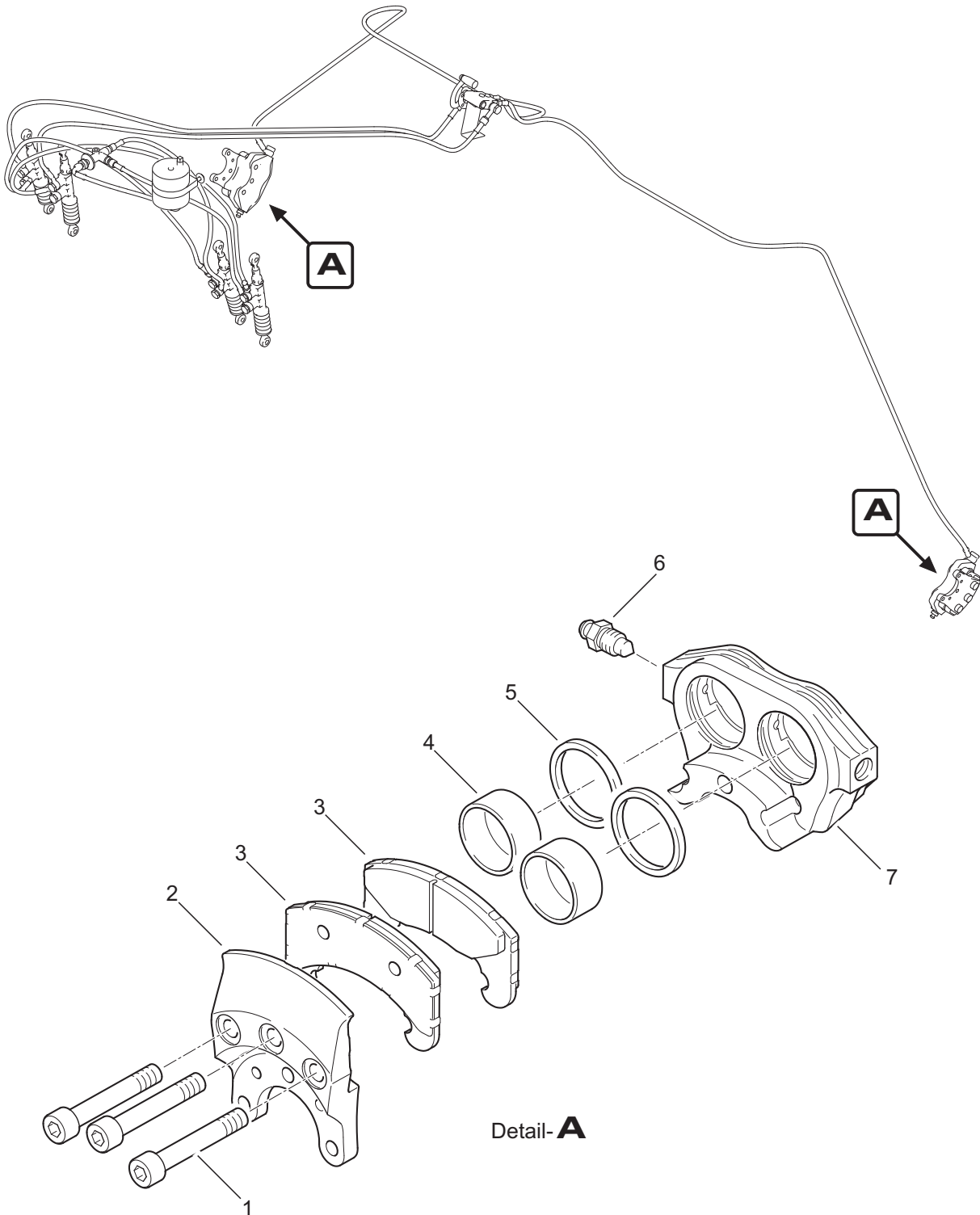
Aircraft equipped  
 with Cleveland/  
 Grove wheels

Brake System Installation - Rear  
 Figure 4B



Fig. Item	QTY	Part Number	Nomenclature	Effectivity
4B			Brake System Installation - Rear	Cleveland/Grove
1	1	AT01-1860-612	knob	
2	1	AT01-5020-106	lever	
3	1	AT01-1860-111	plunger M4x9	
4	1	1800985_M4	locknut (ISO 10511 M4)	
5	2	1800933_M5x12	bolt (ISO 4017 M5x12 8.8)	
6	6	1800985_M5	locknut (ISO 10511 M5)	
7	2	1800125_5,3	washer (ISO 7089 5,3x10)	
8	2	AT01-4520-235	fitting	
9	1	AT01-5020-153	parking brake valve	
10	2	AT01-4520-160	elbow	
11	1	AT01-5020-017	brake line RH	
12	1	AT01-5020-016	brake line LH	
13	2	1800933_M5x30	bolt (ISO 4017 M5x30 8.8)	
14	2	1800933_M5x16	bolt (ISO 4017 M5x16 8.8)	
15	1	AT01-5020-103	fixing bracket	
16	2	1809021_5,3	washer (ISO 7093 5,3x15)	
17	2	AT01-5020-022	brake hose	
18	2	AT01-5020-004	brake caliper Cleveland	Cleveland
		AT01-5020-340	brake caliper Grove	Grove

- Item not illustrated



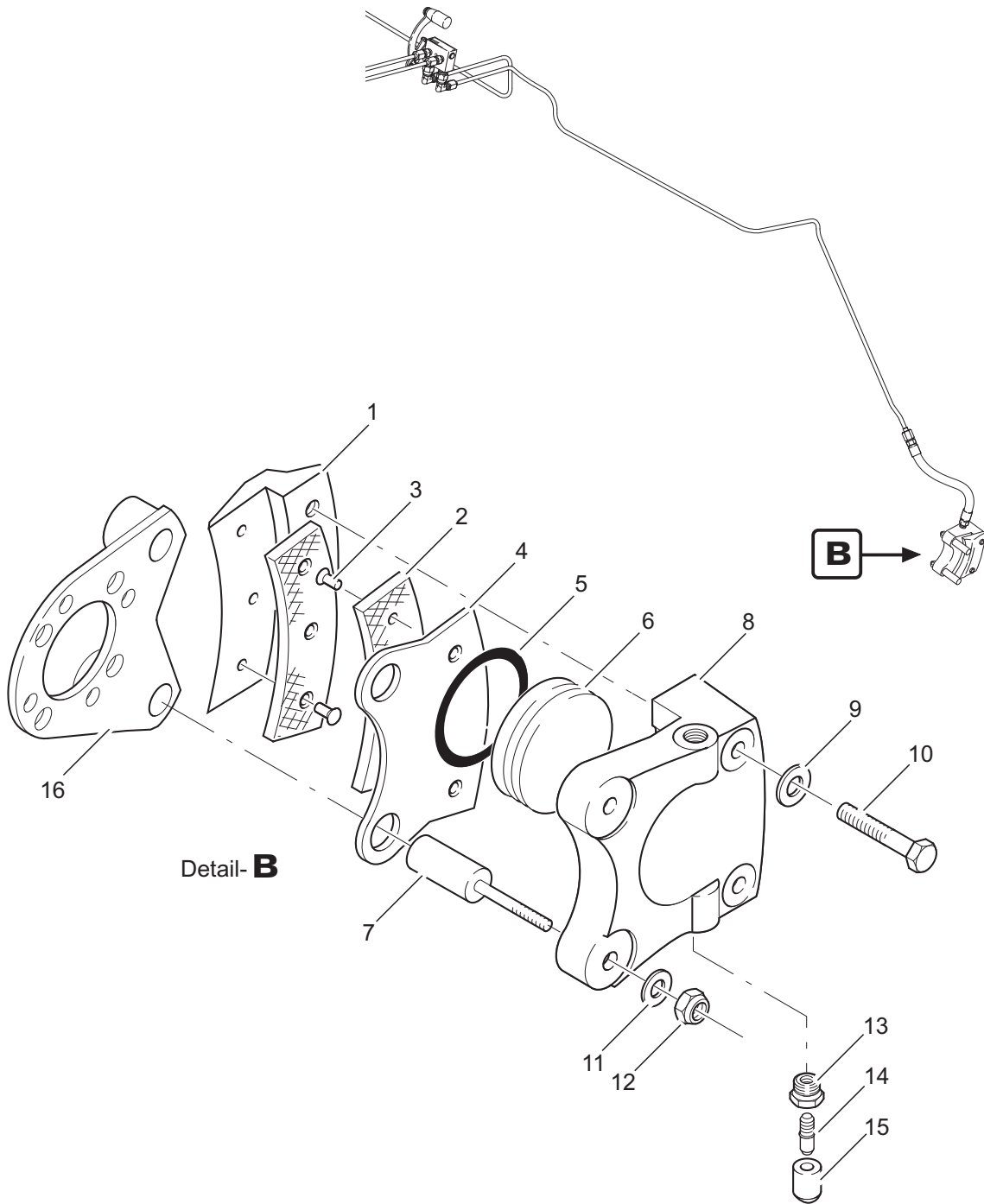
Detail-**A**

**EFFECTIVITY**  
Aircraft equipped  
with Beringer wheels

Brake Caliper Assembly  
Figure 5A

Fig. Item	QTY	Part Number	Nomenclature	Effectivity
5A			Brake Caliper Assembly	Beringer
	1	3	AT01-5020-117	assembly screw
	2	1	AT01-5020-123	back plate (modified)
	3	2	AT01-5020-115	brake pad
	4	2	AT01-5020-113	piston
	5	2	AT01-5020-114	piston seal
	6	1	AT01-5020-116	bleeder
	7	1	AT01-5020-112	cylinder

- Item not illustrated



**EFFECTIVITY**

Aircraft equipped  
 with Cleveland/  
 Grove wheels

Brake Caliper Assembly  
 Figure 5B

Fig. Item	QTY	Part Number	Nomenclature	Effectivity
5B			Brake Caliper Assembly	Cleveland/Grove
		<u>Cleveland calipers</u>		Cleveland
1	1	AT01-5020-611	back plate	
2	2	AT01-5020-353	lining	
3	6	AT01-5020-354	rivet	
4	1	AT01-5020-610	pressure plate	
5	1	AT01-5020-600	O-ring	
6	1	AT01-5020-612	piston	
7	2	AT01-5020-601	anchor bolt	
8	1	AT01-5020-603	cylinder	
9	2	AT01-5020-604	washer	
10	2	AT01-5020-355	bolt (AN4H15A)	
11	2	AT01-5020-605	washer	
12	2	AT01-5020-356	nut anchor (MS21044-N4)	
13	1	AT01-5020-607	seat (bleeder)	
14	1	AT01-5020-608	screw (bleeder)	
15	1	AT01-5020-609	cap (bleeder)	
16	1	AT01-5020-351	torque plate LH	
- 17	1	AT01-5020-352	torque plate RH	
		<u>Grove calipers</u>		Grove
1	1	AT01-5020-618	back plate	
2	2	AT01-5020-360	lining	
3	6	AT01-5020-361	rivet	
4	1	AT01-5020-619	pressure plate	
5	1	AT01-5020-622	O-ring	
6	1	AT01-5020-617	piston	
7	2	AT01-5020-620	torque pin	
8	1	AT01-5020-621	cylinder	
9	2	AT01-5020-366	washer	
10	2	AT01-5020-367	bolt (AN4H15A)	
11	2	AT01-5020-368	washer	
12	2	AT01-5020-369	nut anchor (MS21044-N4)	
13	1	AT01-5020-615	seat (bleeder)	
14	1	AT01-5020-615	screw (bleeder)	
15	1	AT01-5020-616	cap (bleeder)	
16	1	AT01-5020-358	torque plate LH	
- 17	1	AT01-5020-359	torque plate RH	

- Item not illustrated

